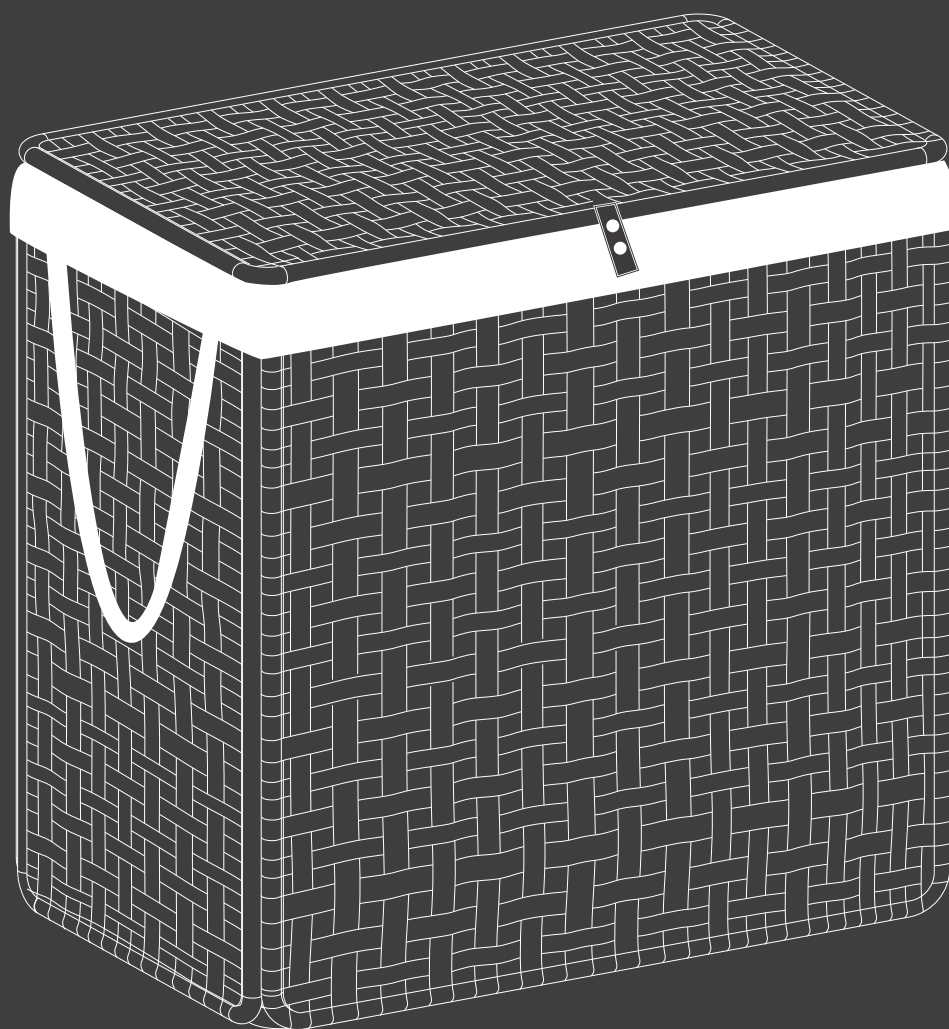


Rattan Laundry Hamper

Instruction Manual

ZYL-BT110



General Guidelines

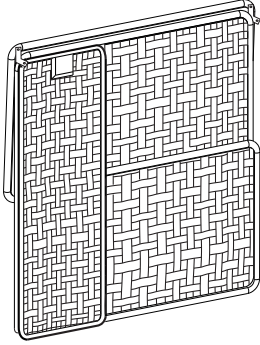
- Please read the following instructions carefully and use the product accordingly.
- Please keep this manual and hand it over if you transfer the product.
- This summary may not include every detail of all variations and steps to be considered. Please contact us when further information or help is needed.

Warnings

- To avoid damage to the product, please do not force clothes into the basket.
- If there are any defective or missing parts after unpacking, please cease assembly immediately and contact us.

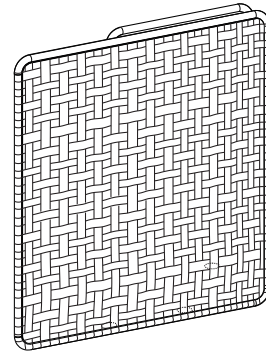
1 Component List

A



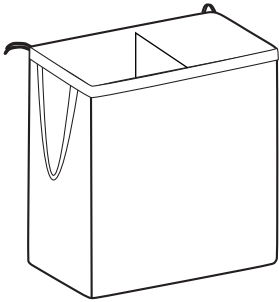
x1

B



x1

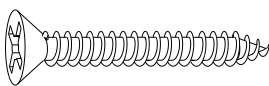
C



x1

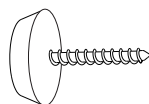
2 Hardware

1



x2

2



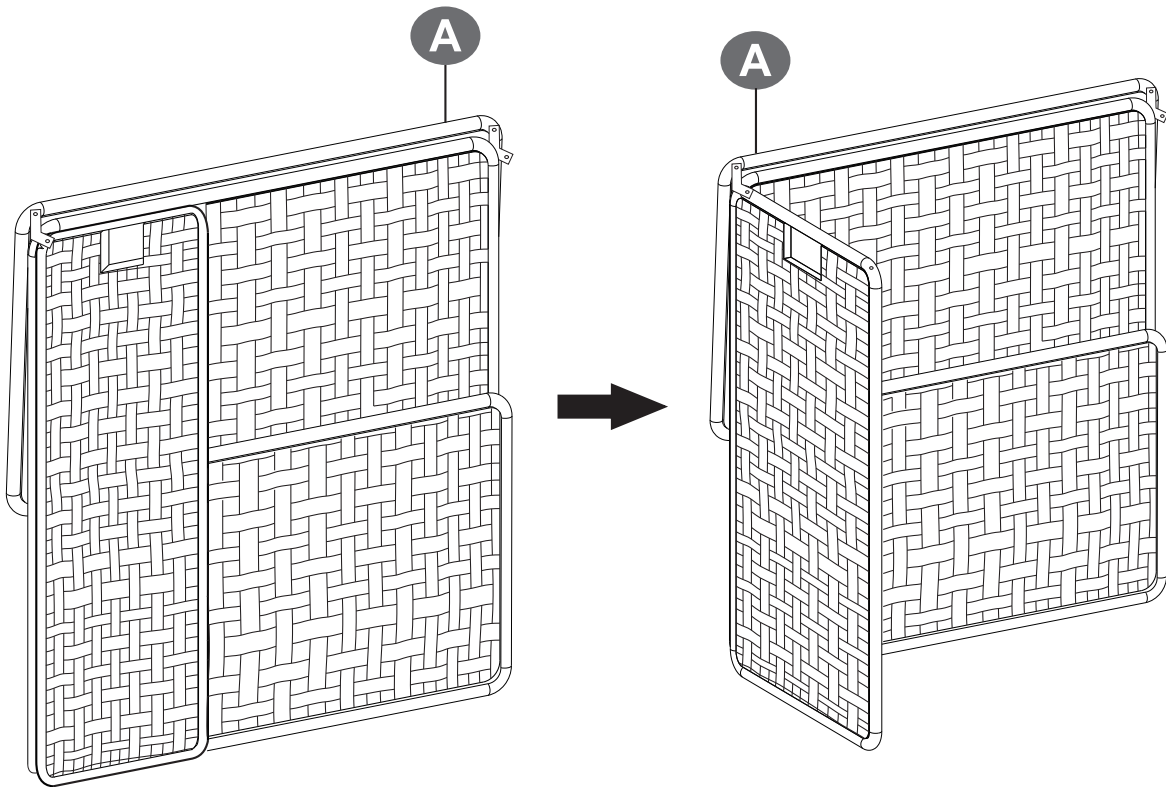
x2

3

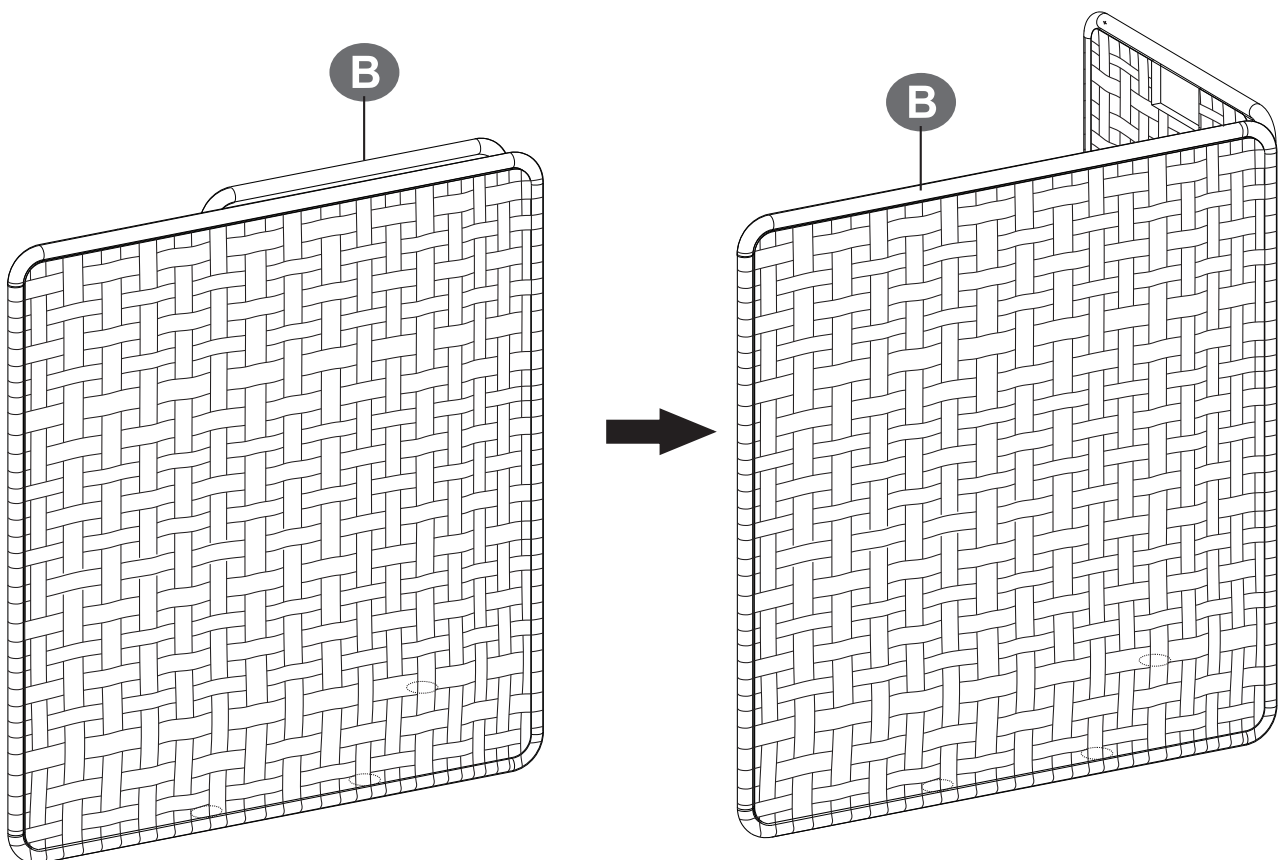


x1

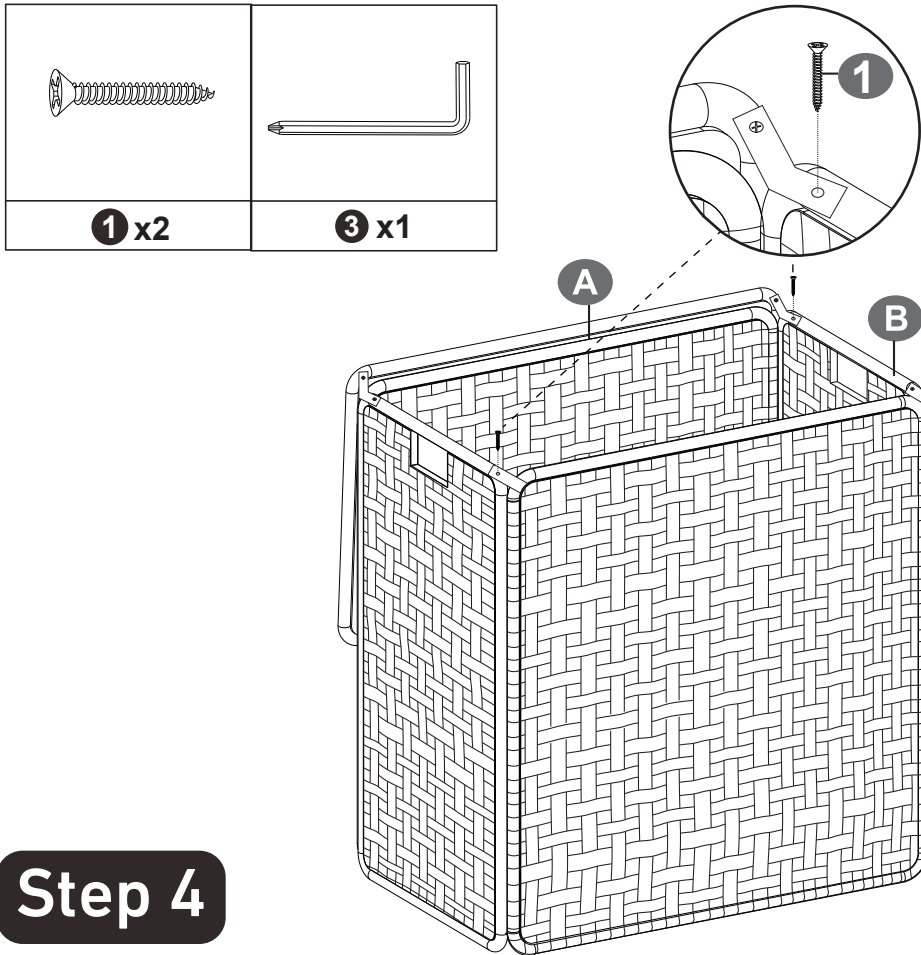
Step 1



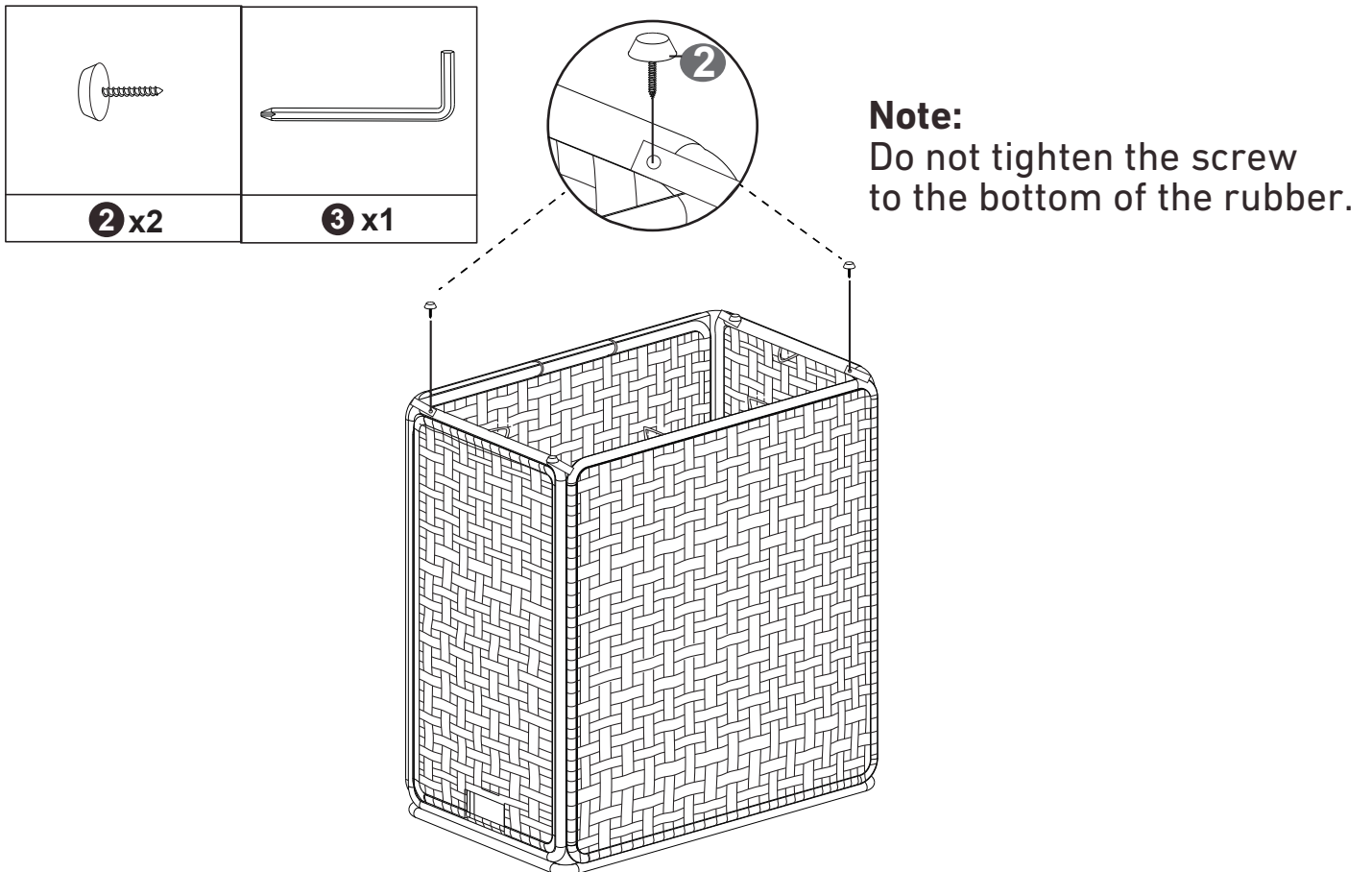
Step 2



Step 3

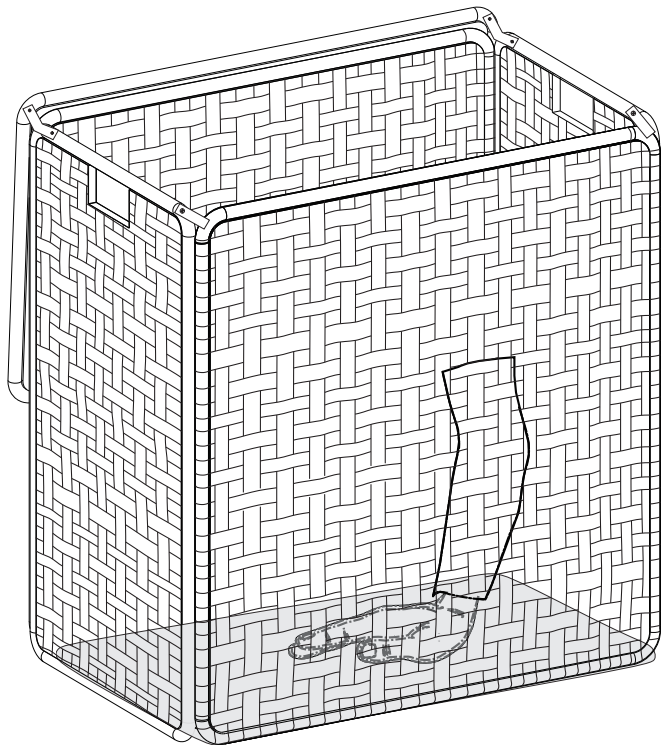


Step 4



Flip the Rattan Laundry Hamper 180°

Step 5



Place the bottom panel horizontally.

Step 6

