
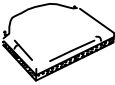

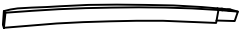





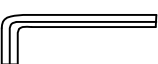


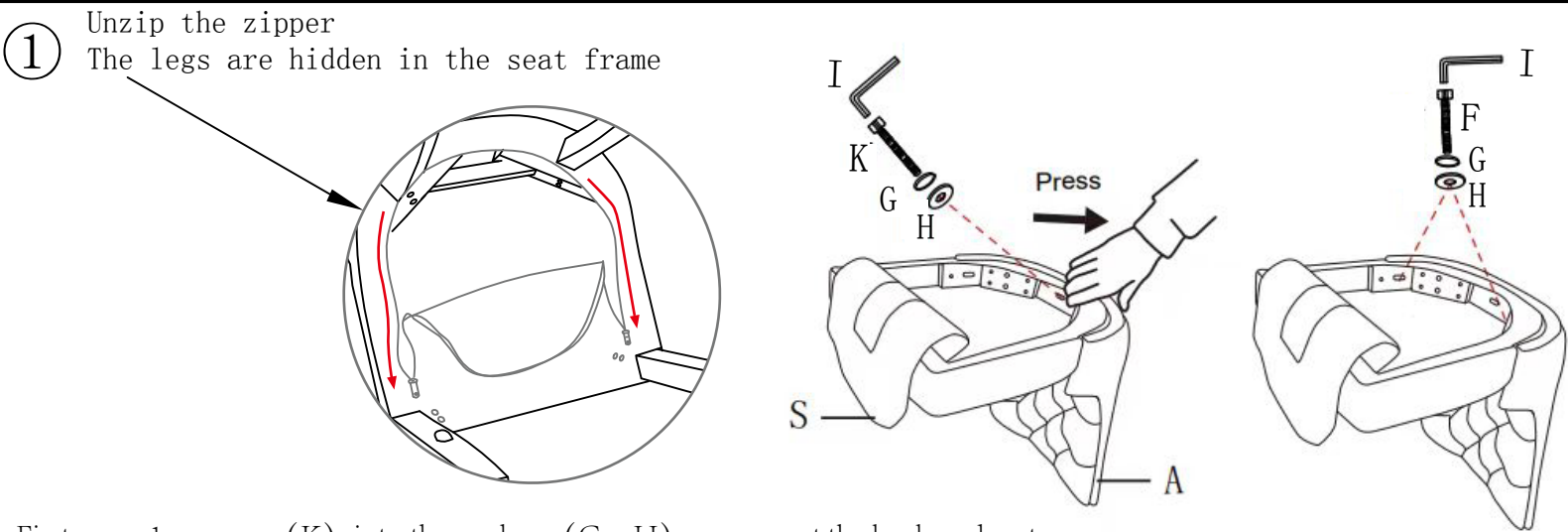


ASSEMBLY INSTRUCTIONS

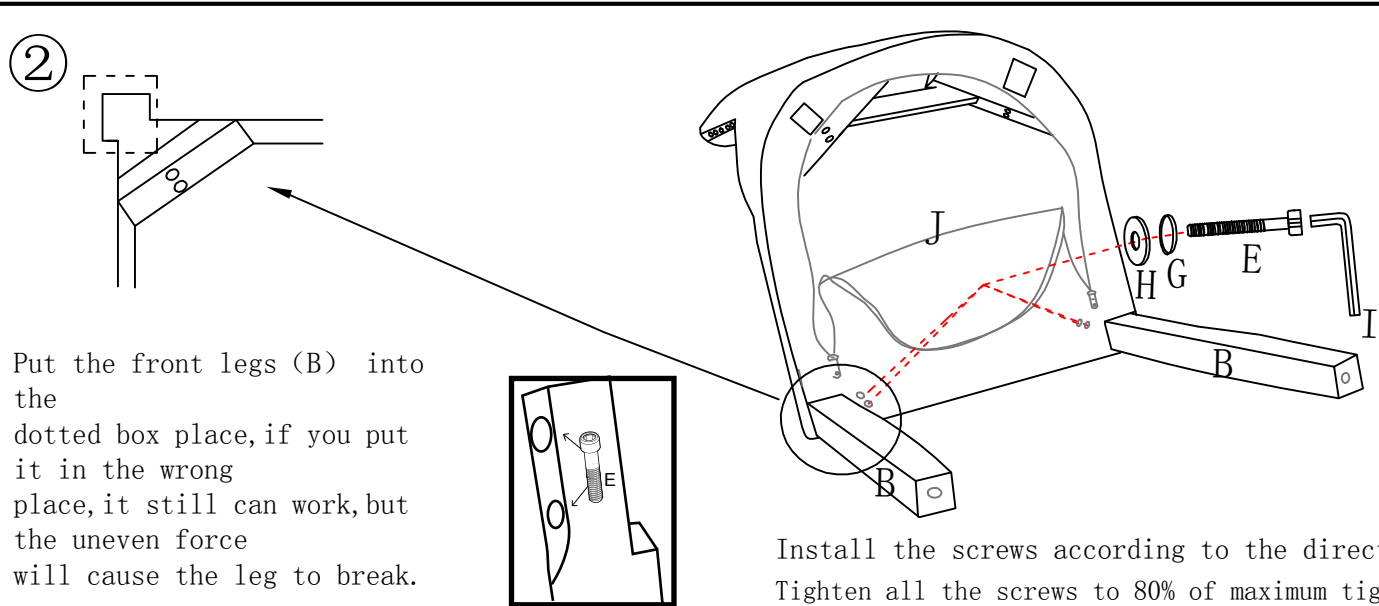
Ax1	 Back
Jx1	 Seat
Bx2	 Front leg
Cx2	 Rear leg
Dx4	 Adjust cap
Ex4	 Screw
Fx6	 Screw
Gx11	 Spring washer
Hx11	 Flat washer
Ix1	 Allen key
Kx1	 Screw
Lx1	

① Unzip the zipper
The legs are hidden in the seat frame



First, use 1pc screw (K) into the washer (G, H), connect the back and seat
Finally, use 2pcs screw (F) into the washer (G, H), connect the two sides

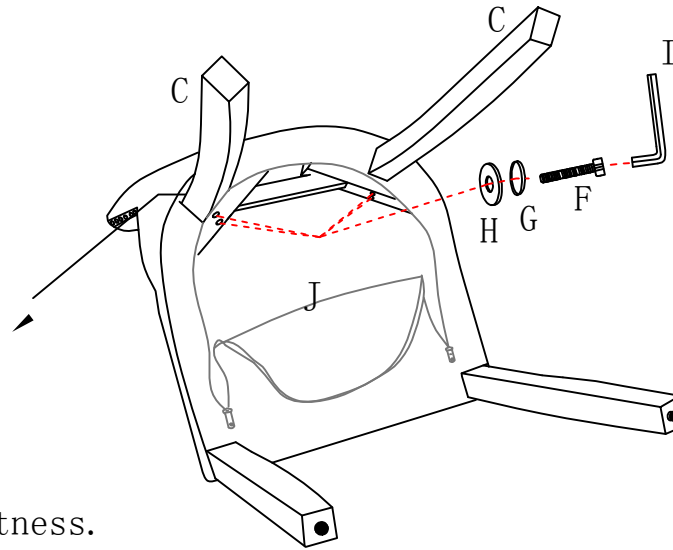
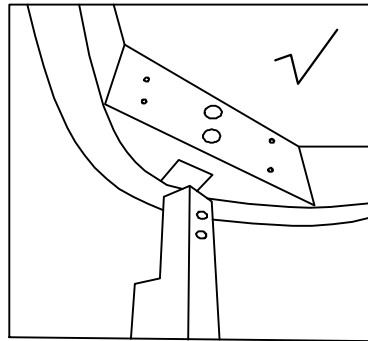
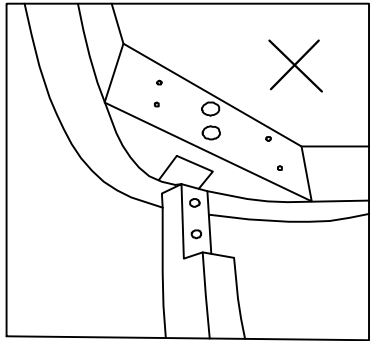
②



Put the front legs (B) into the dotted box place, if you put it in the wrong place, it still can work, but the uneven force will cause the leg to break.

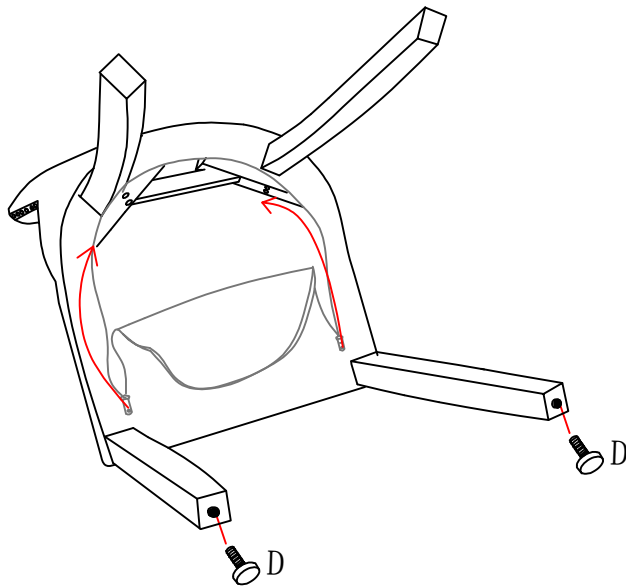
Install the screws according to the direction by the arrows.
Tighten all the screws to 80% of maximum tightness.

③



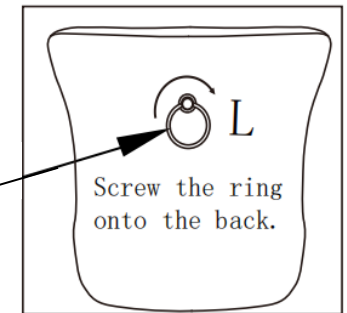
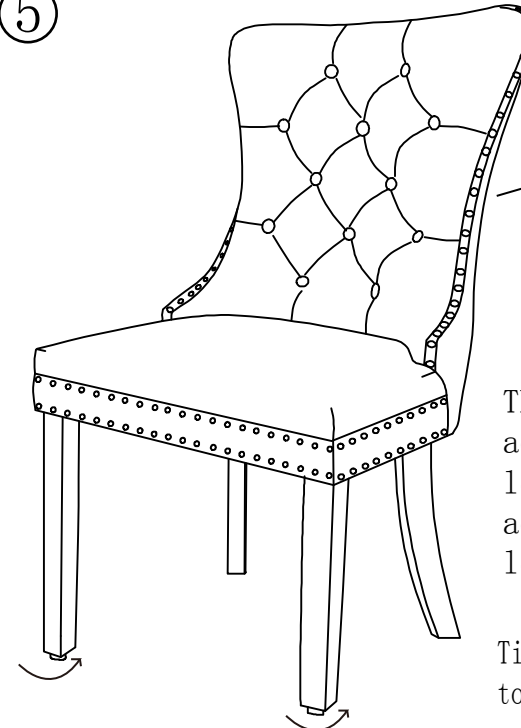
Tighten all the screws to 80% of maximum tightness.

④



Close the zipper of bottom Non-Woven fabric.
Tighten all the screws to
100% of maximum tightness.

⑤



There are 2 small
adjusters on the front
legs , ensure these are
adjusted so the chair sits
level.

Tighten one and loosen the other.
to adjust to level.

WARNING:

DO NOT STAND ON THE PRODUCT, DO NOT USE THIS PRODUCT AS A STEP LADDER.
DO NOT USE THIS PRODUCT UNLESS ALL BOLTS, SCREWS AND KNOBS ARE FIRMLY SECURED.
PLEASE DO NOT USE KNIFE TO OPEN ANY PARTS OF THE BOX OR PRODUCT.