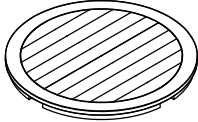
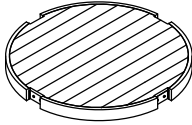
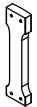
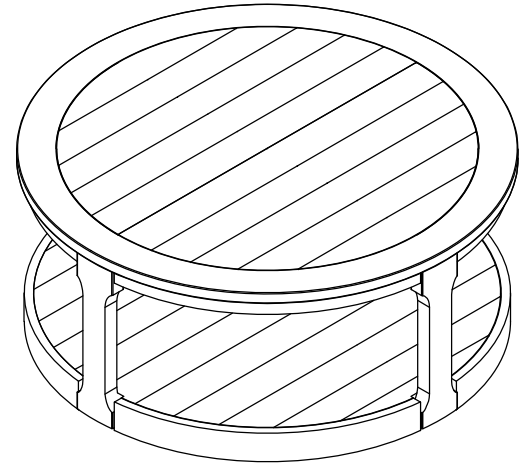


ASSEMBLY INSTRUCTION

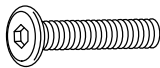


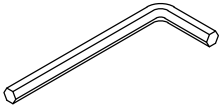
Thank you for purchasing this quality product. Be sure to check all packing material carefully for small parts which may have come loose inside the carton during shipment. Identify and count all parts compare with the hardware list below.

Part List

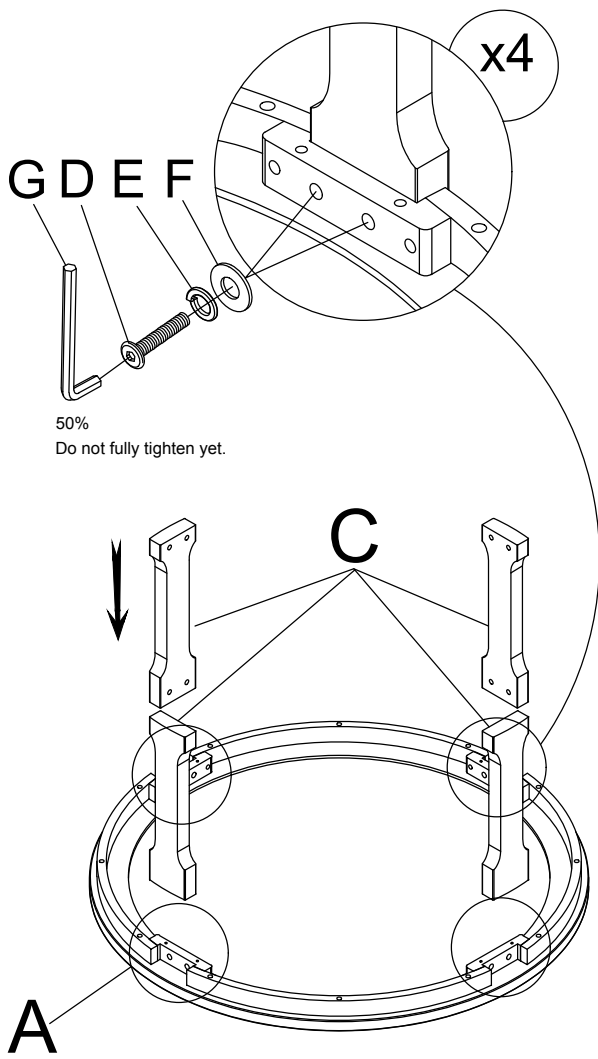
Item	Description		QTY
A	Top Panel		1
B	Bottom Panel		1
C	Leg		4



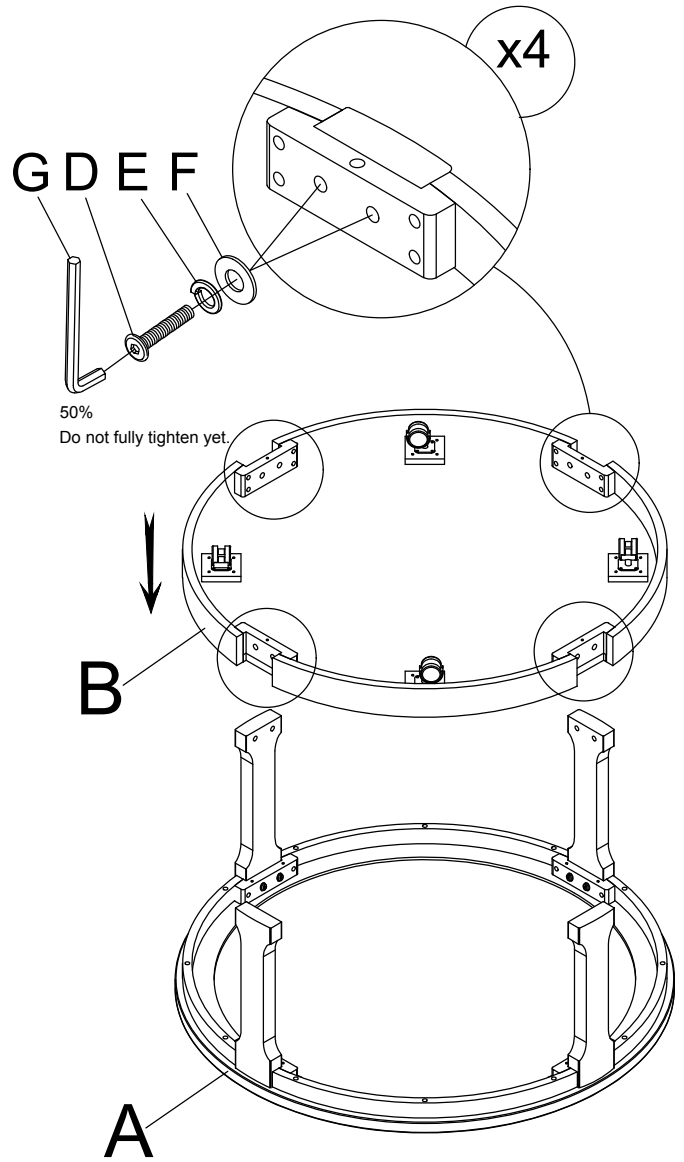
Hardware List

Item	Description		QTY
D			16
E	1/4" Lock washer		16
F	1/4" Flat washer		16
G	Allen Key		1

Step 1

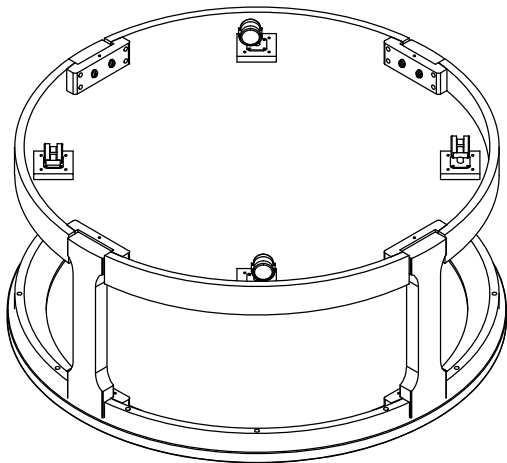


Step 2



Step 3

100%
Fully tighten all bolts.



Step 4 Complete!

