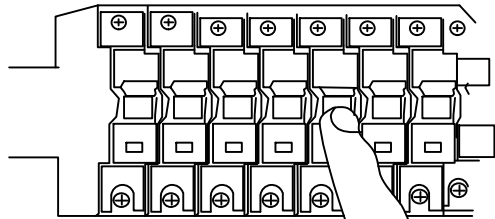


# Installation

1



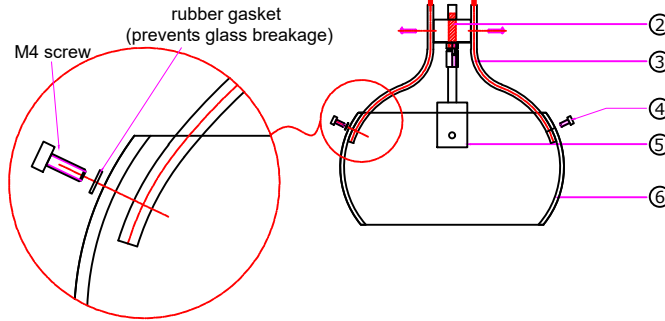
**OFF**

## STEPS

Turn off the power

2

- ① Ceiling plate
- ② Flat tube
- ③ Hanging box
- ④ M4 screw
- ⑤ E26 lamp holder
- ⑥ Glass lampshade

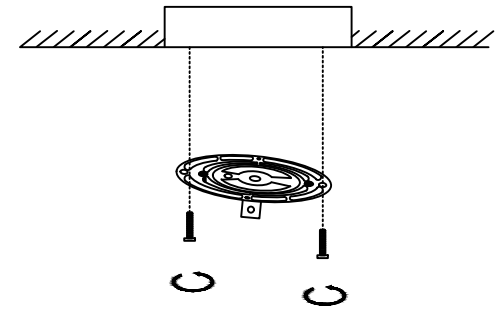


## STEP

1. First, use the M4 screw (④) to fasten the glass lampshade (⑥) and the flat tube (③) together.

And then proceed to the next step, as shown in Figure 3

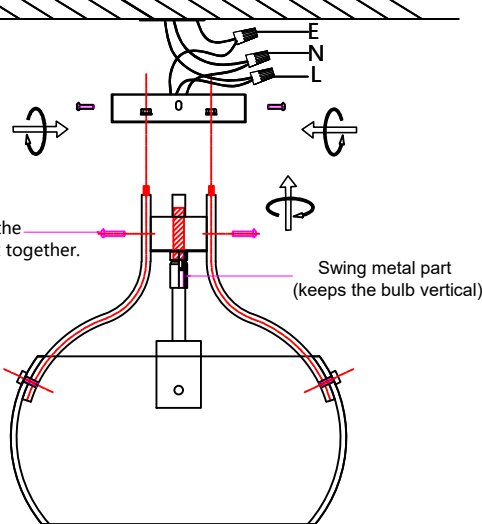
3



## STEP

Install the hanging board on the ceiling, and then proceed to the next step, as shown in Figure 4

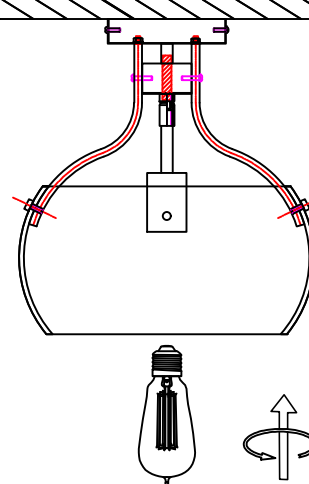
4



## STEPS

Connect the power cord of the lamp body to the reserved power cord, and be careful to distinguish between the positive and negative poles. Fix the lamp body to the ceiling with M4 screws.

5



## STEPS

1. Finally, tighten the E26 bulb to complete the installation.

## Caution:

Advertencia:

1. Voltage: 110V-130V
2. Bulb Model: E26 / MAX-60W(not include)
3. Before installation, please check whether the accessories are complete, if you have any problem, please contact our customer service in time
4. Before installation, please cut off the power supply to prevent electric shock.
5. Please be sure the installation according to the company's instructions.

