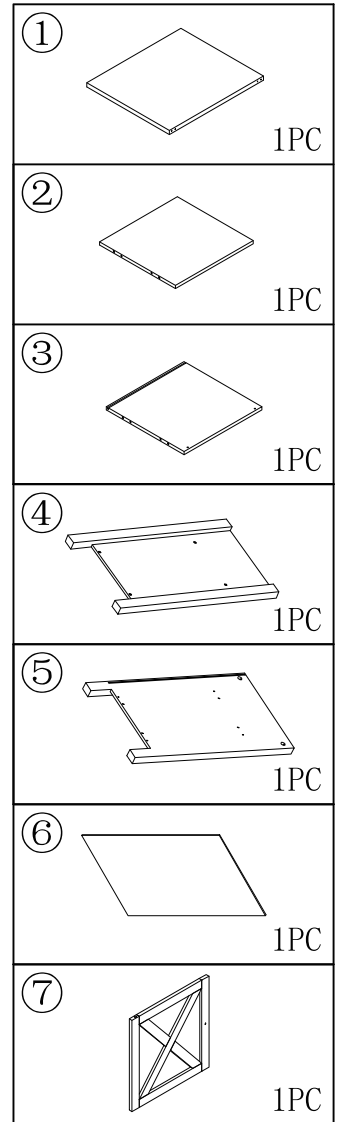
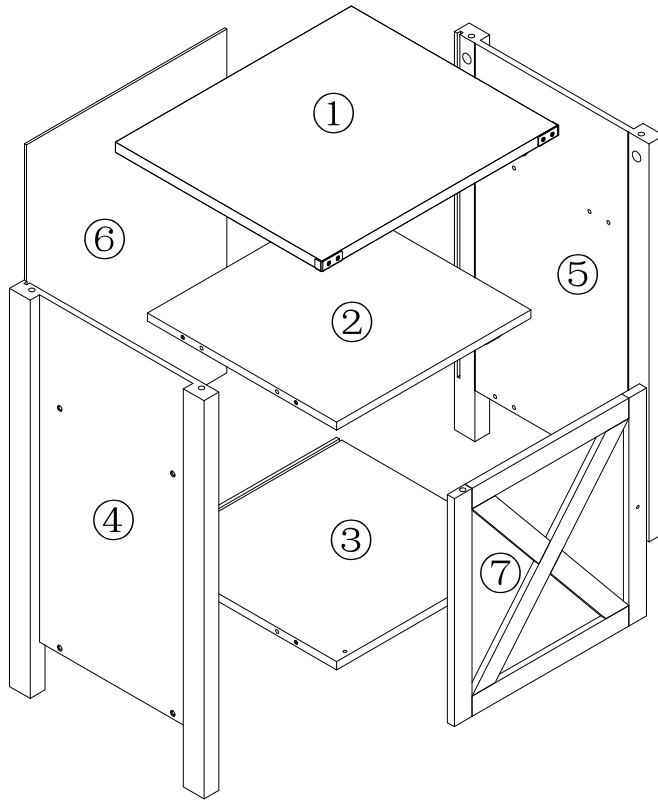


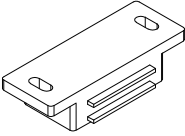

USER'S MANUAL

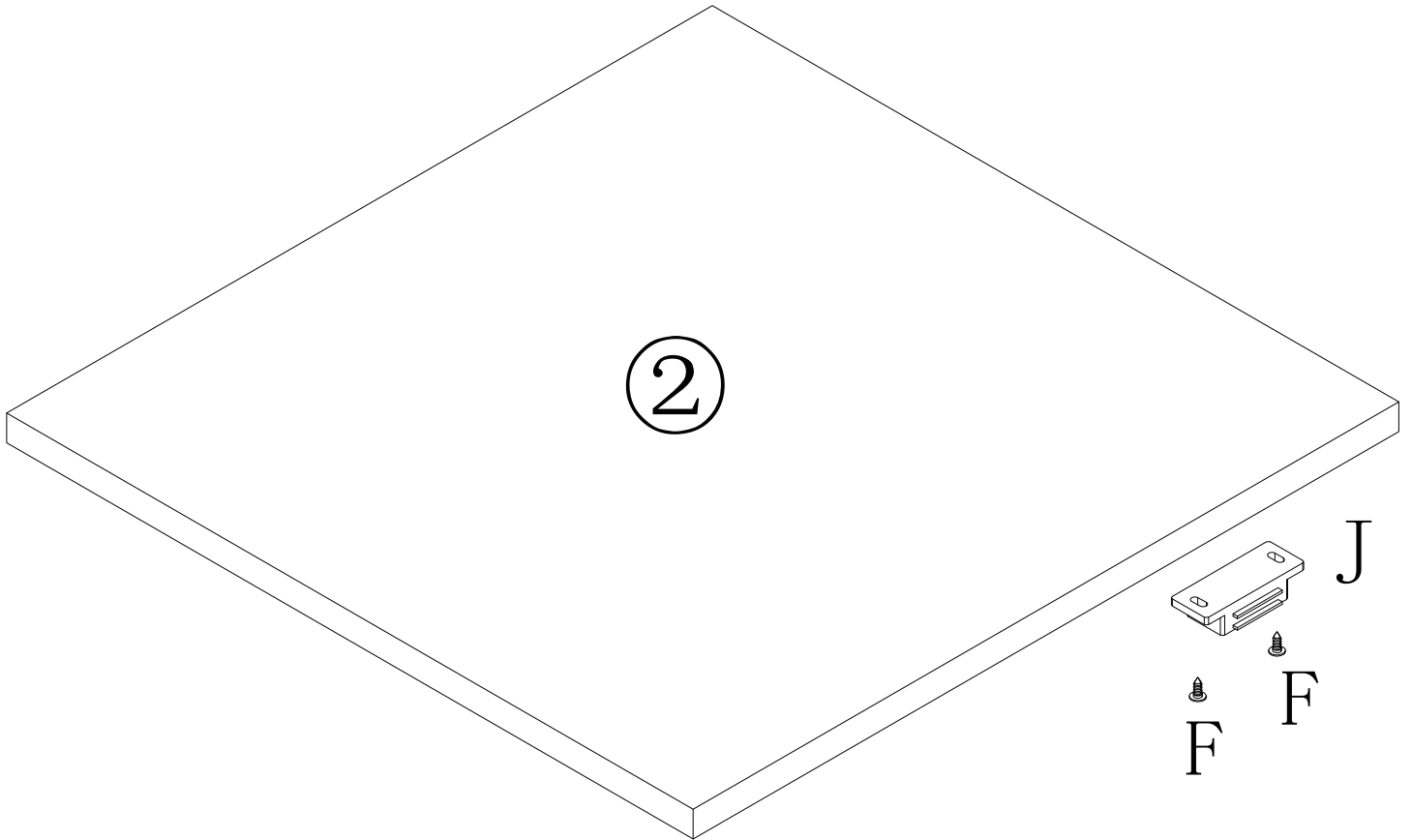
BOARD IDENTIFICATION



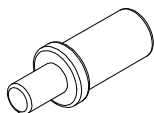
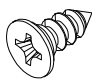
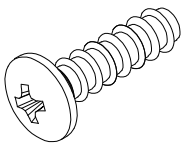
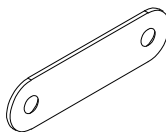
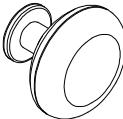
A		2PCS	B	5x39mm 	8PCS	C	Φ 6x30mm 	8PCS
D		4PCS	E		4PCS	F	3x14mm 	2PCS
G	M5x20mm 	1PC	H	3x10mm 	2PCS	J		1PC
K		1PC	L		1PC	M		1PC
N		4PCS						

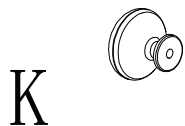
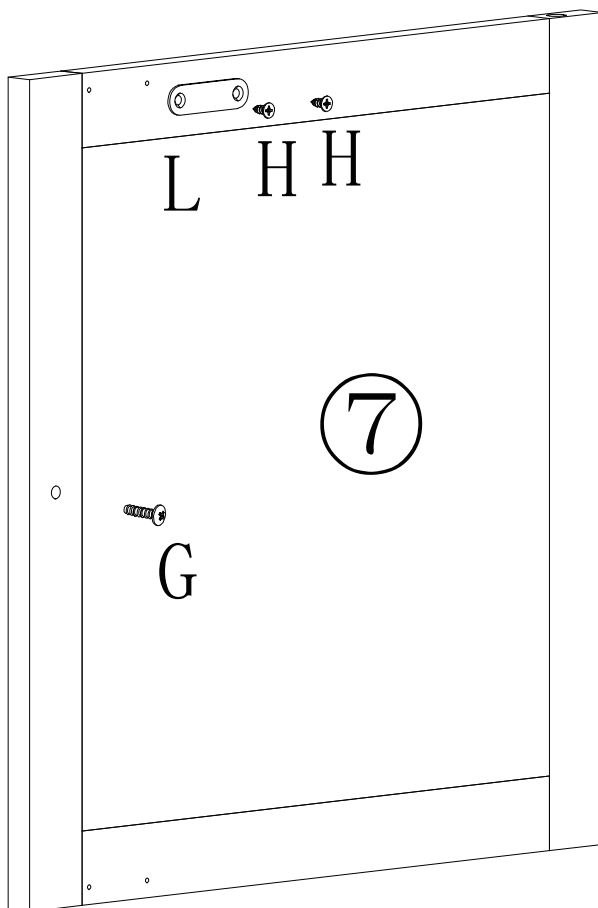
1

J  1PC	F 3x14mm  2PCS
---	--

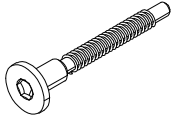
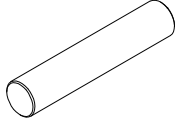


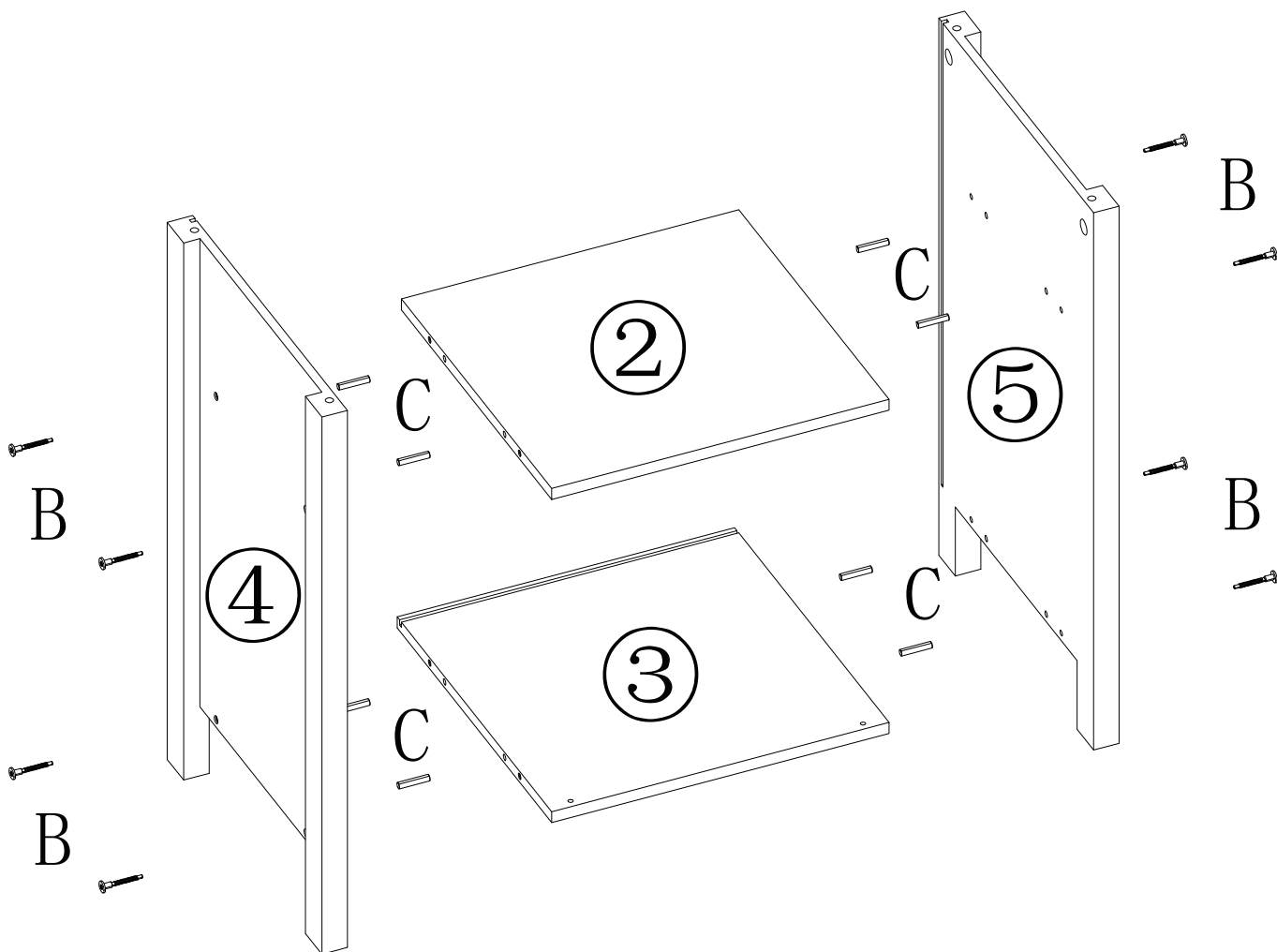
2

A  2PCS	H 3x10mm  2PCS
G M5x20mm  1PC	L  1PC
	K  1PC

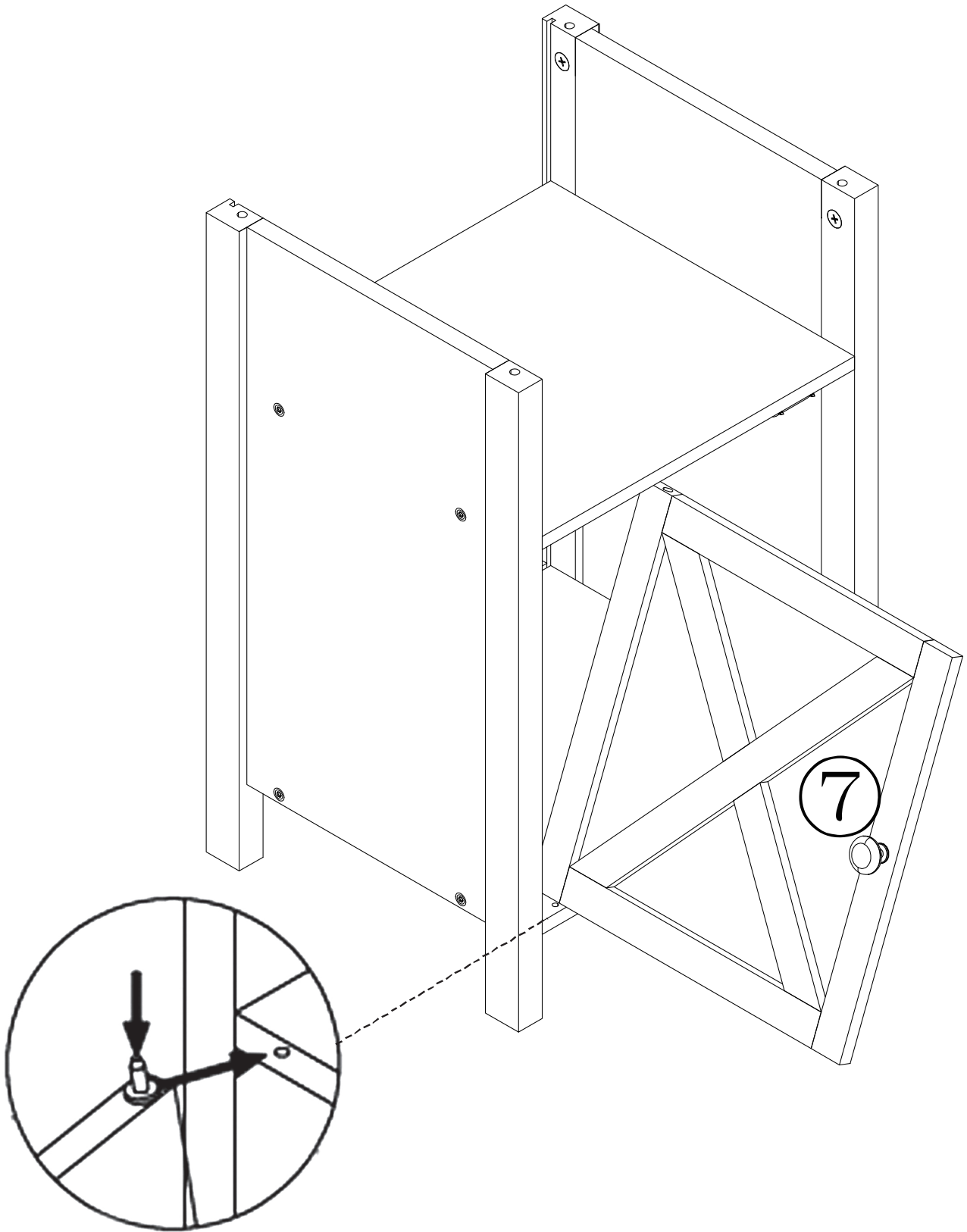


3

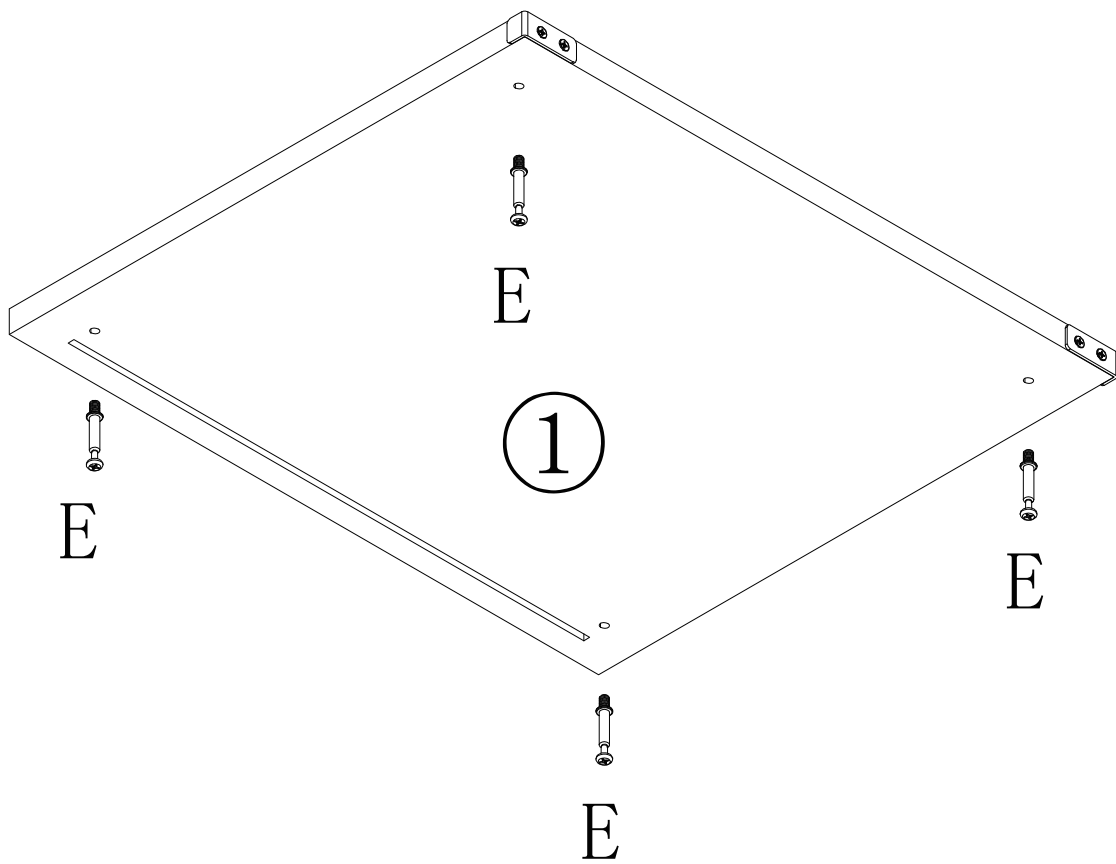
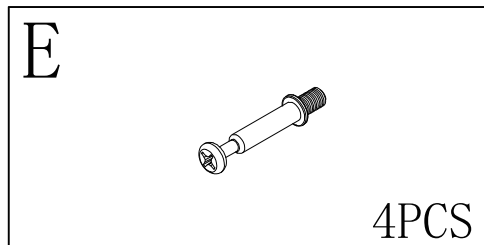
B  5x39mm 8PCS	C  φ 6x30mm 8PCS
---	---





4

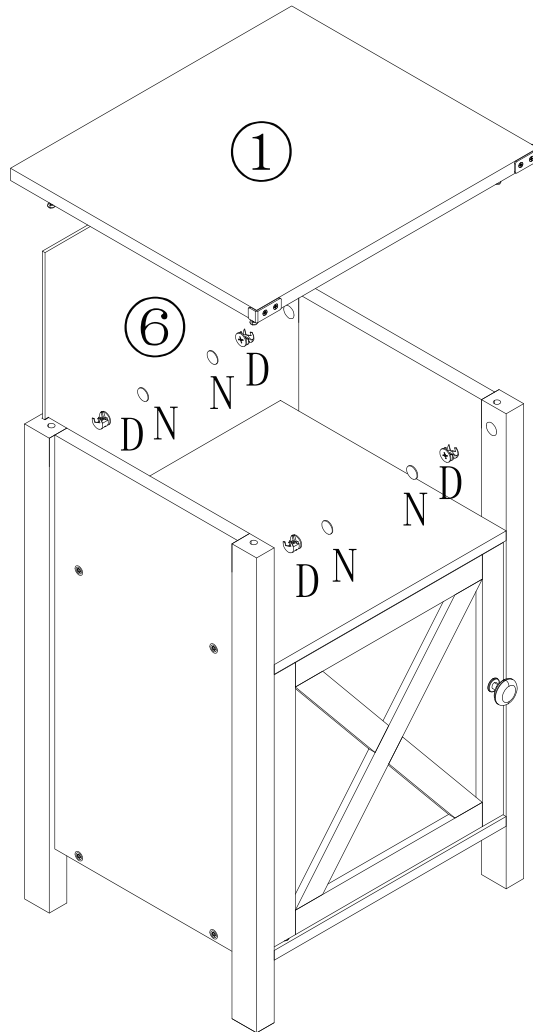


5



6

D  4PCS	N  4PCS
---	---



Cam Lock Fastening System

This Cam Lock Fastening System will be used throughout the assembly process.

