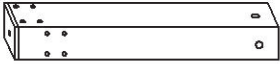
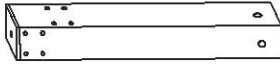
















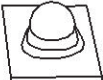

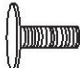
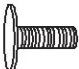
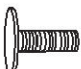
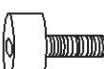


Please Note:

Part R,P,U,L,N,K,E,O,V,W and Screw Bag
are into the Tube "A",Please take it out before
assemble the pergola.

 <p>A*2</p>	 <p>B*2</p>	 <p>C*1</p>
 <p>D*2</p>	 <p>G*1</p>	 <p>M*3</p>
 <p>F*5</p>	 <p>R*1</p>	 <p>S*1</p>
 <p>H*4</p>	 <p>I*1</p>	 <p>P*14</p>
 <p>U*1</p>	 <p>L*2</p>	 <p>N*4</p>
 <p>K*10</p>	 <p>E*1</p>	 <p>O*16</p>
 <p>V*4</p>	 <p>W*1</p>	 <p>M6*75</p>
 <p>M6*30</p>	 <p>M6*15</p>	 <p>M6*15</p>

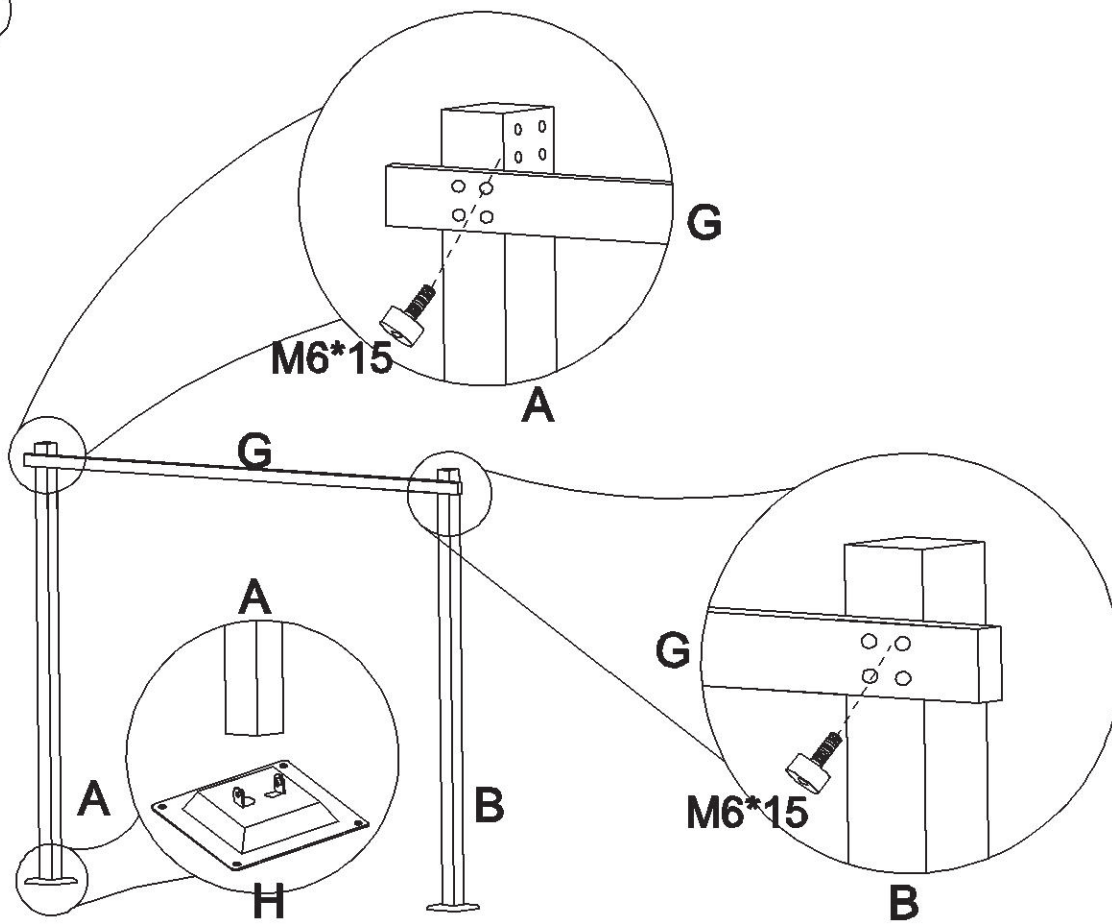
X3

X20

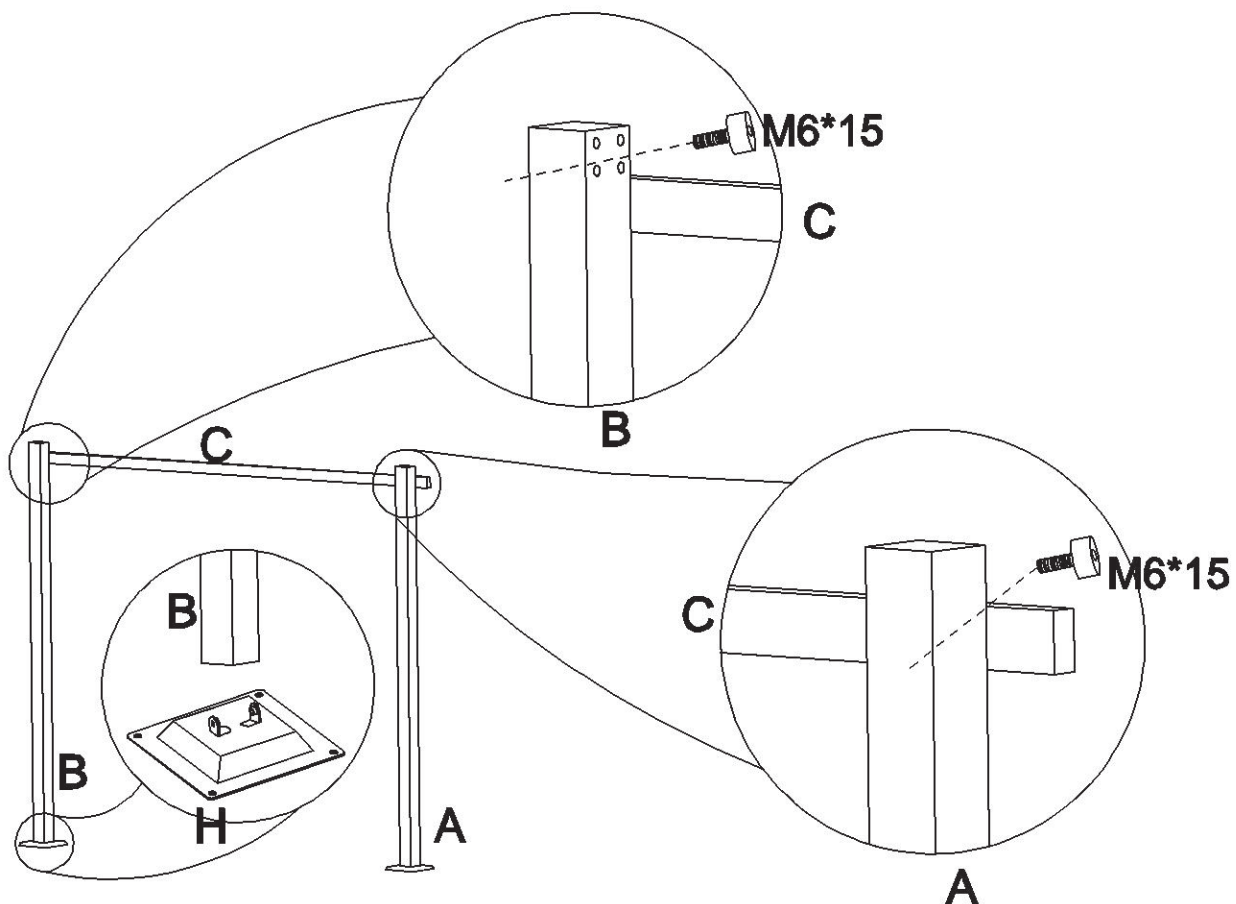
X6

X32

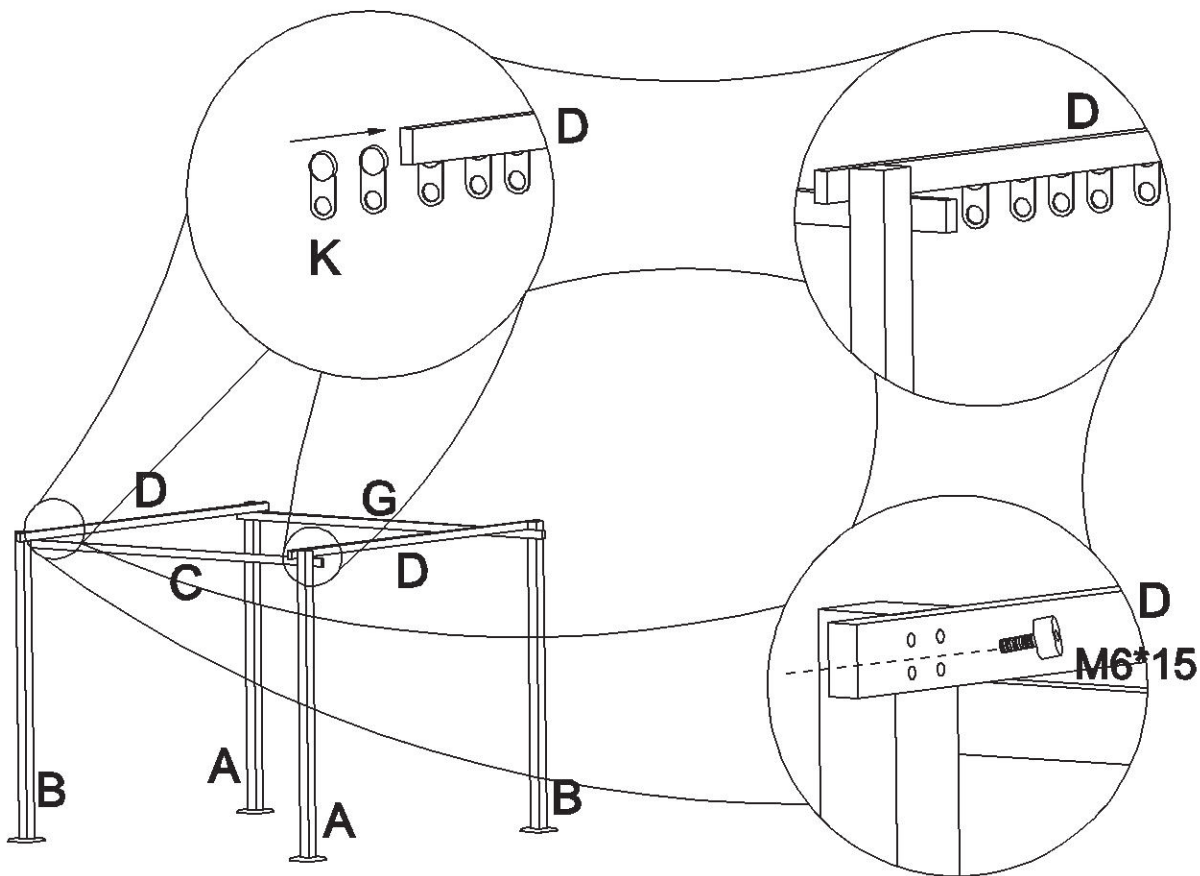
1



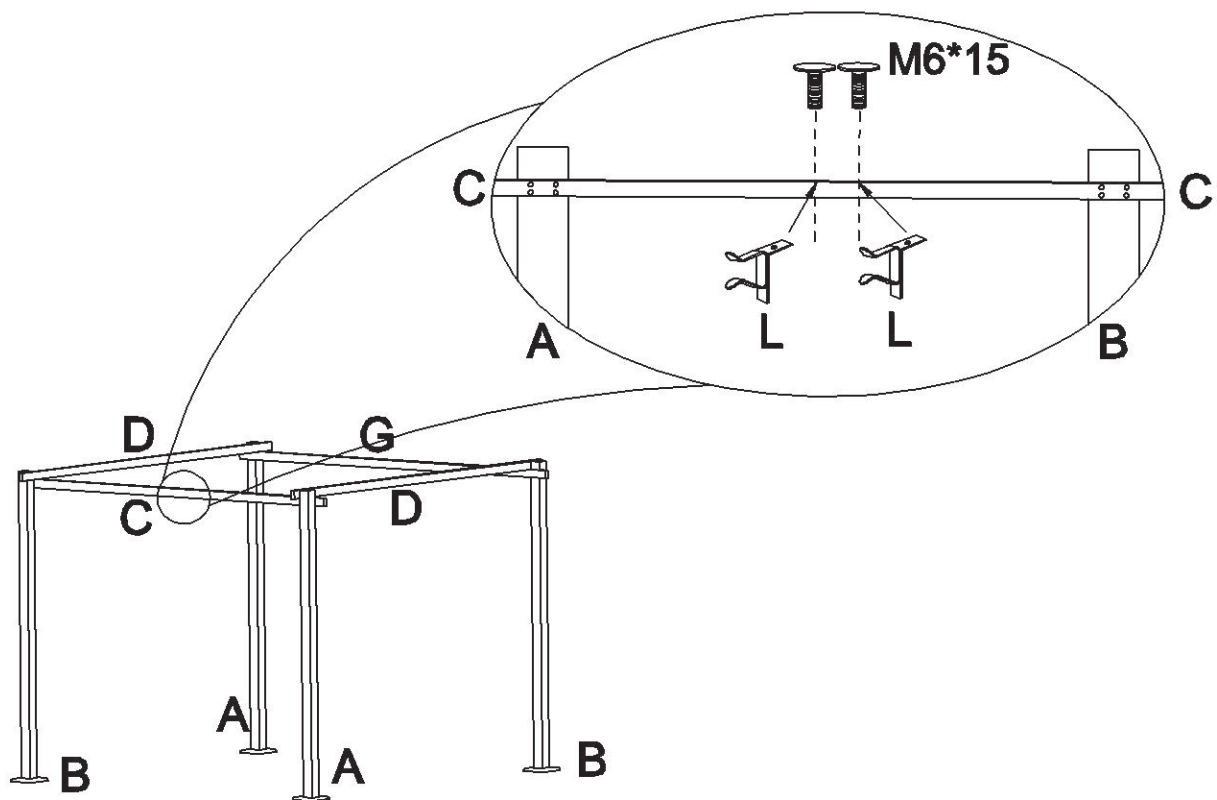
2



3

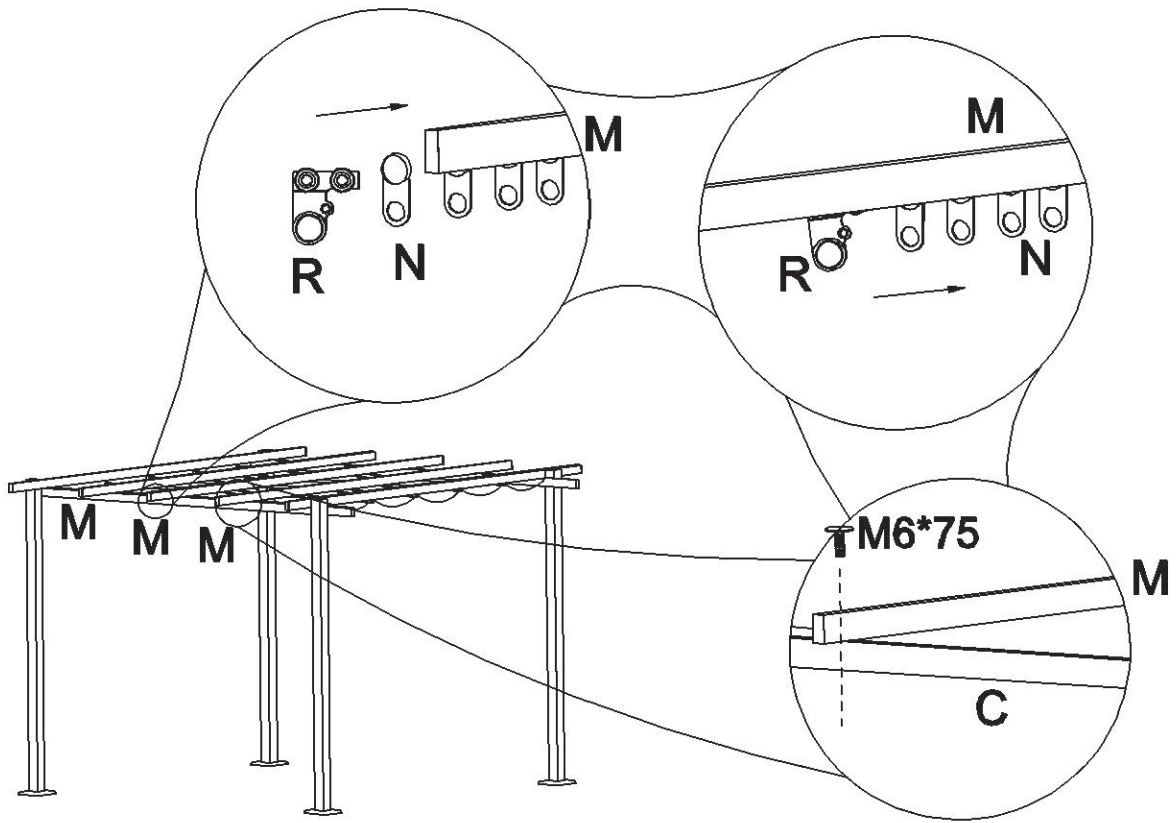


4

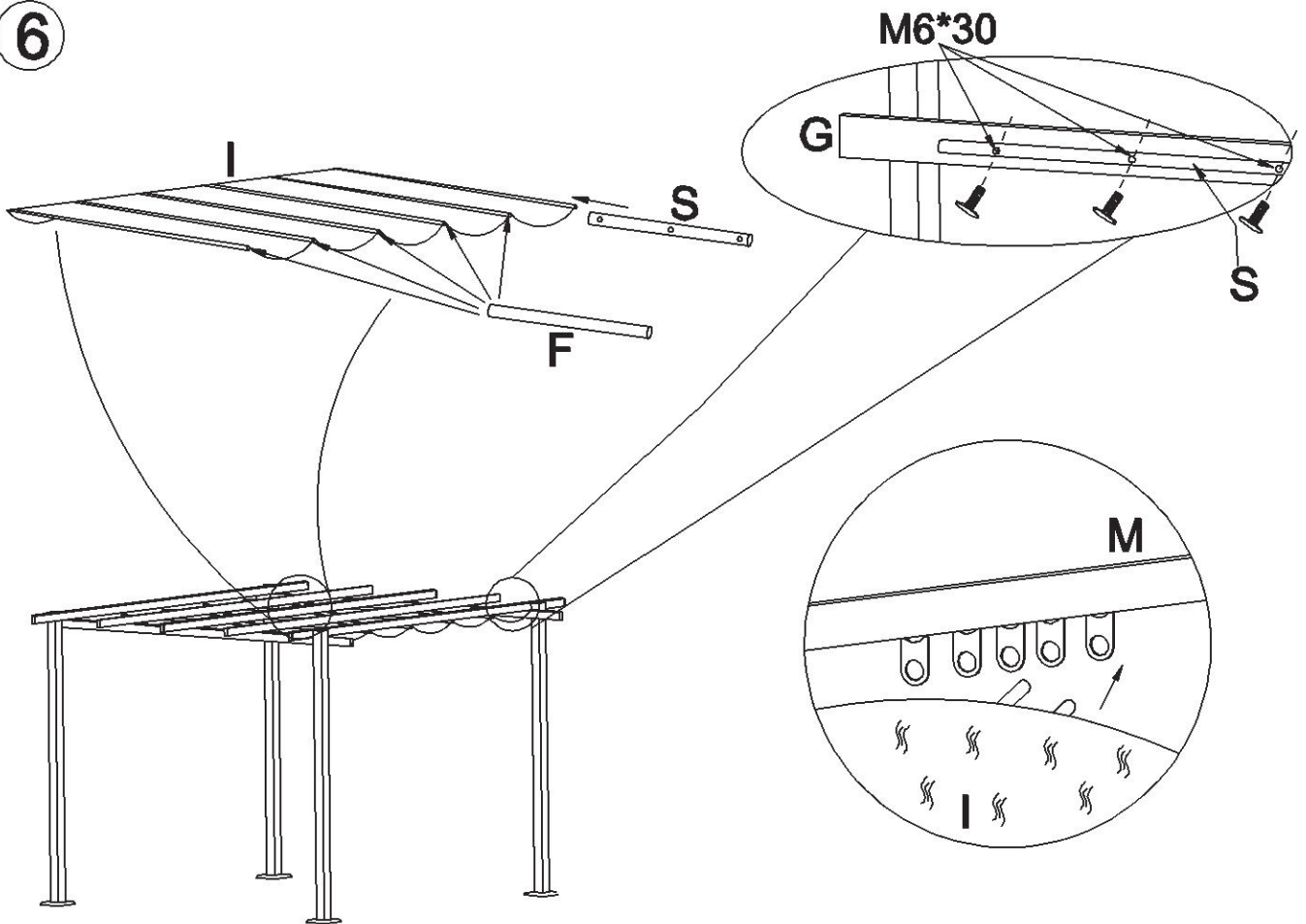


5

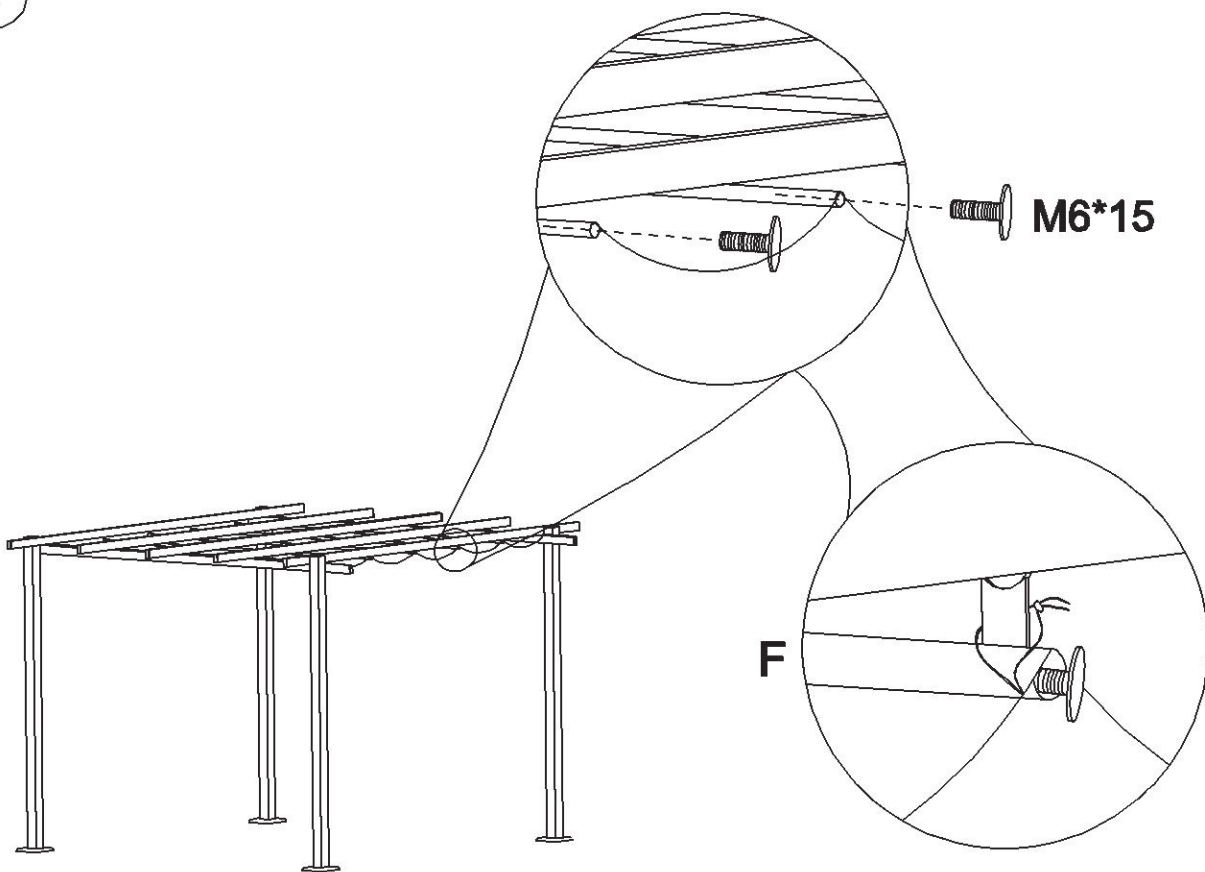
Put the Part "N" into the track of middle Tube "M" first, then put the Part "R".



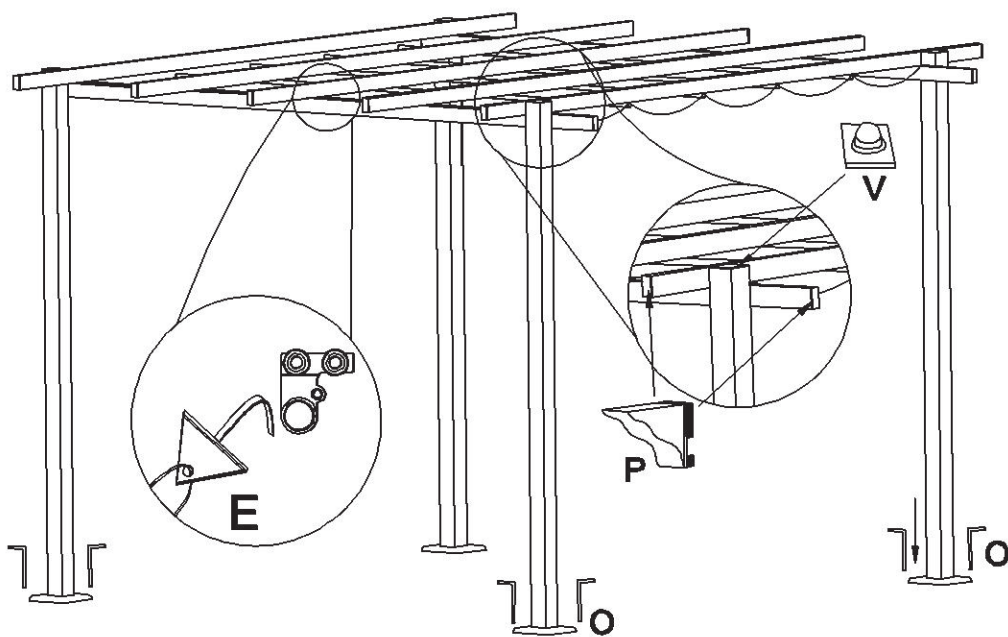
6



7



8



Put the Part "E" hang to Part "R"