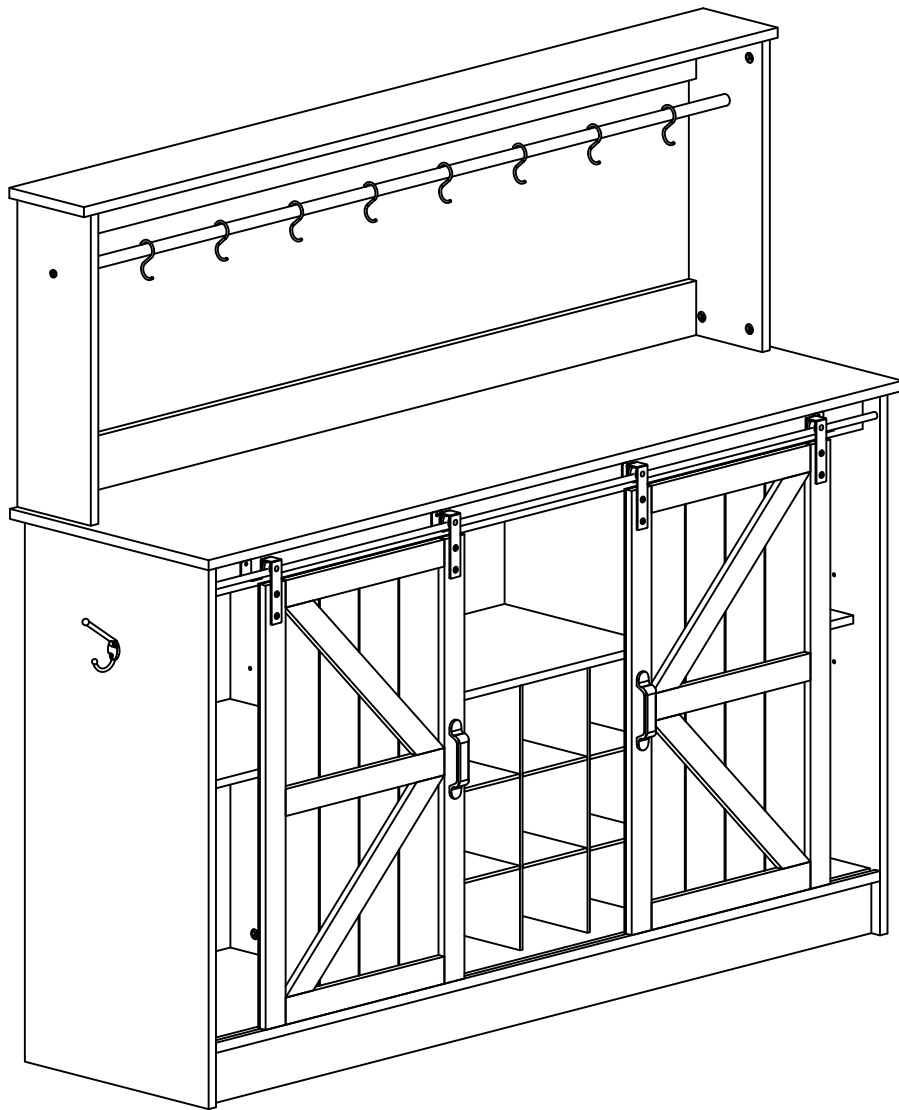
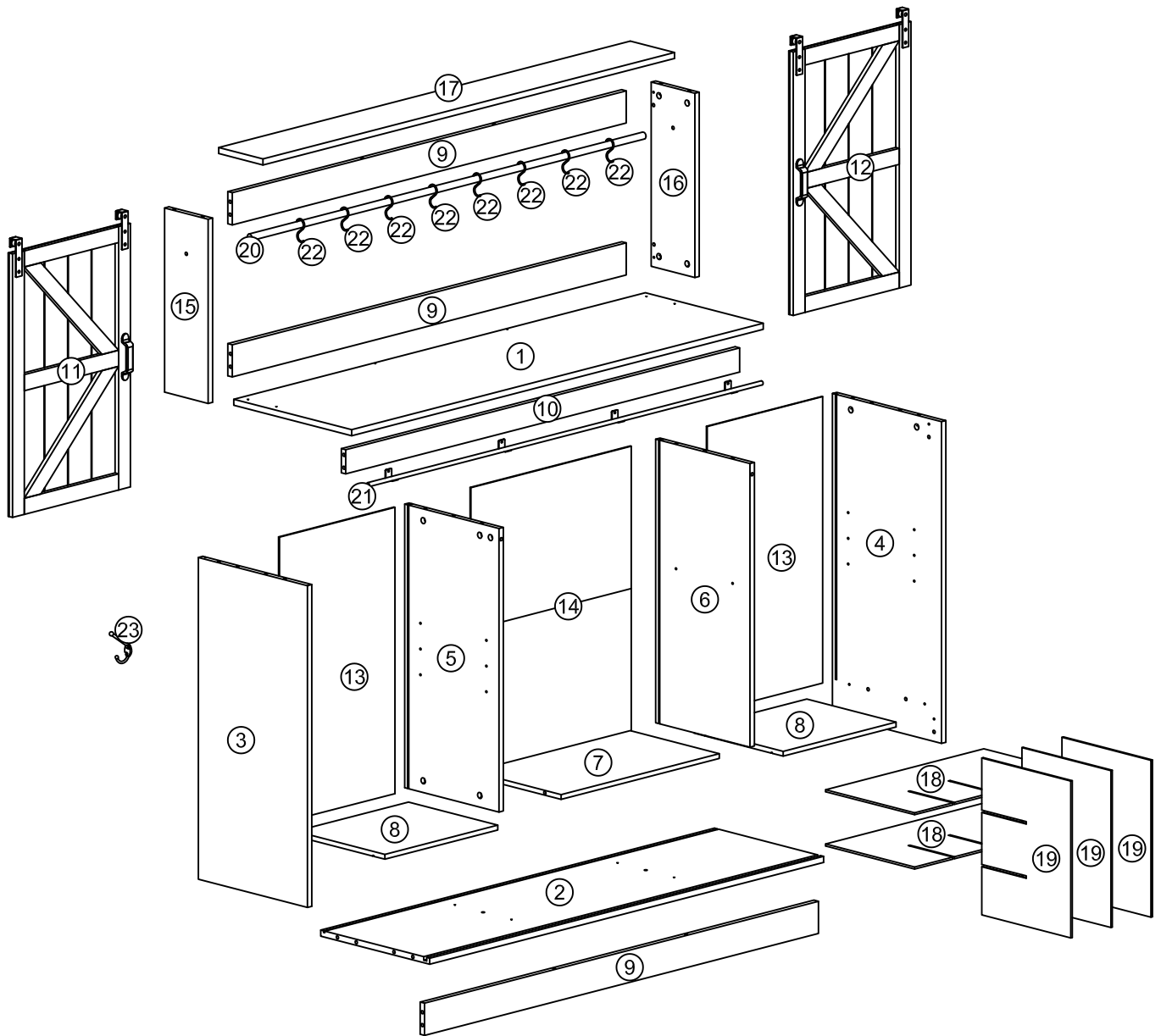


USER'S MANUAL

Buffet Sideboard

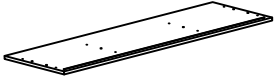





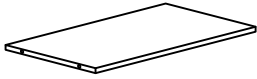



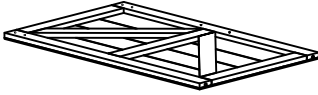
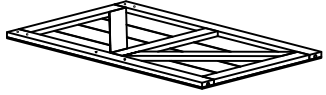
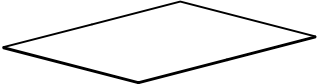







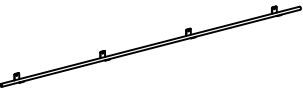




BOARD IDENTIFICATION

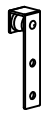


- I. Ensure that all parts and hardware are available before beginning assembly.
- II. Follow each step carefully to ensure the proper assembly of the product.
- III. Two people are recommended for ease in the assembly of this product.
- IV. Please contact us via the "Contact Seller" button in the detail page of your order for any concern and we'll respond as soon as possible.


Part List

			
1 1PC	2 1PC	3 1PC	4 1PC
			
5 1PC	6 1PC	7 1PC	8 2PC
			
9 3PC	10 1PC	11 1PC	12 1PC
			
13 2PC	14 1PC	15 1PC	16 1PC
			
17 1PC	18 2PC	19 3PC	20 1PC
			
21 1PC	22 8PC	23 1PC	

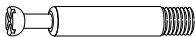
Hardware List




A	4PC
---	-----



B	2PC
---	-----

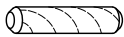


C	44PC
---	------



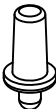
KD15

D	44PC
---	------

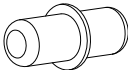


Ø8*30mm


E	20PC
---	------



F	4PC
---	-----




G	8PC
---	-----




M4*18mm

H	4PC
---	-----



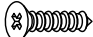
Ø4*14mm

I	12PC
---	------



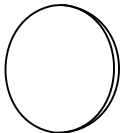
M6*30mm

J	2PC
---	-----



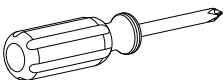
Ø3*14mm

K	2PC
---	-----

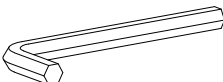


Ø21mm

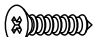
L	8PC
---	-----



M	1PC
---	-----

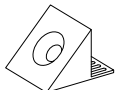


N	1PC
---	-----



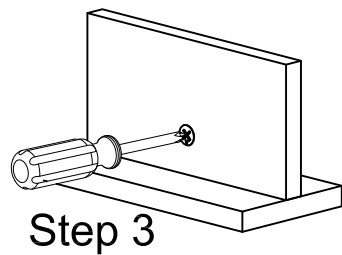
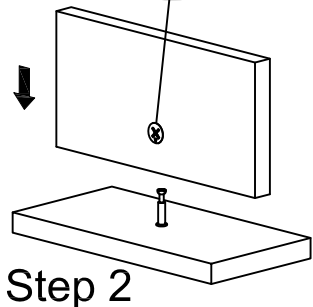
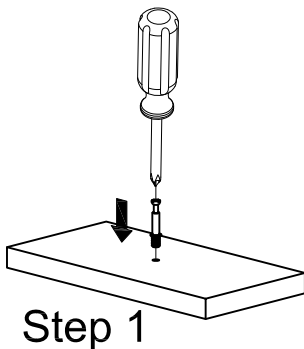
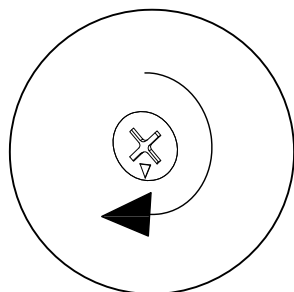
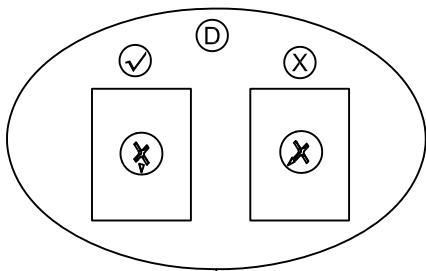
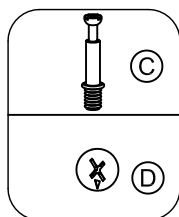
Ø4*16mm

O	12PC
---	------

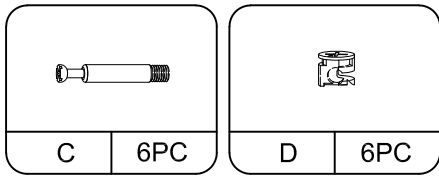


15X13X9mm

P	12PC
---	------

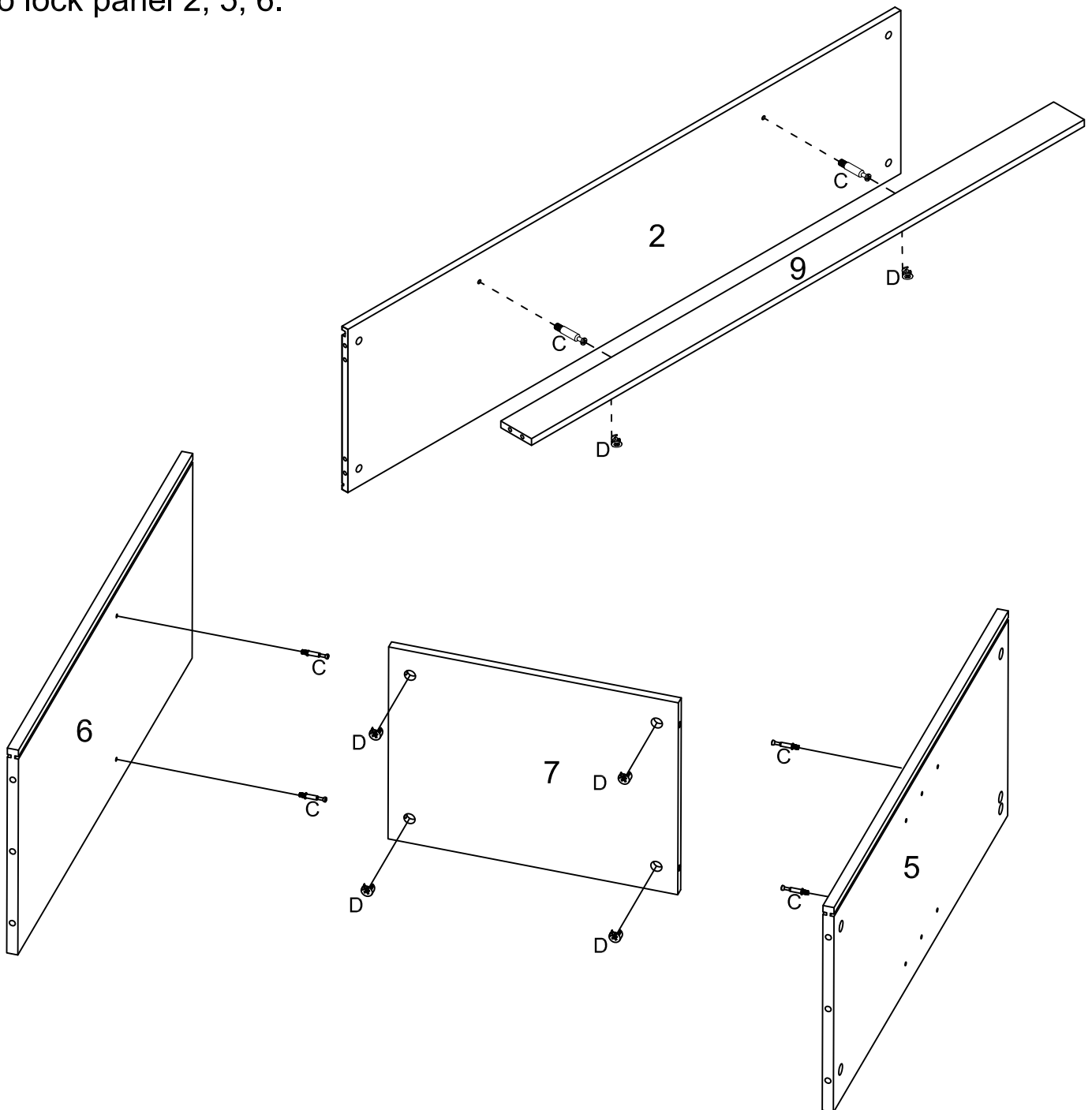


STEP 1

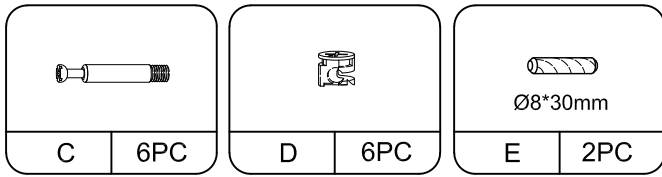


Insert part C into panel 2, 5, 6.

Attach panel 9,7 to panel 2, 5, 6, then insert and secure cam lock D to panel 9,7 to lock panel 2, 5, 6.



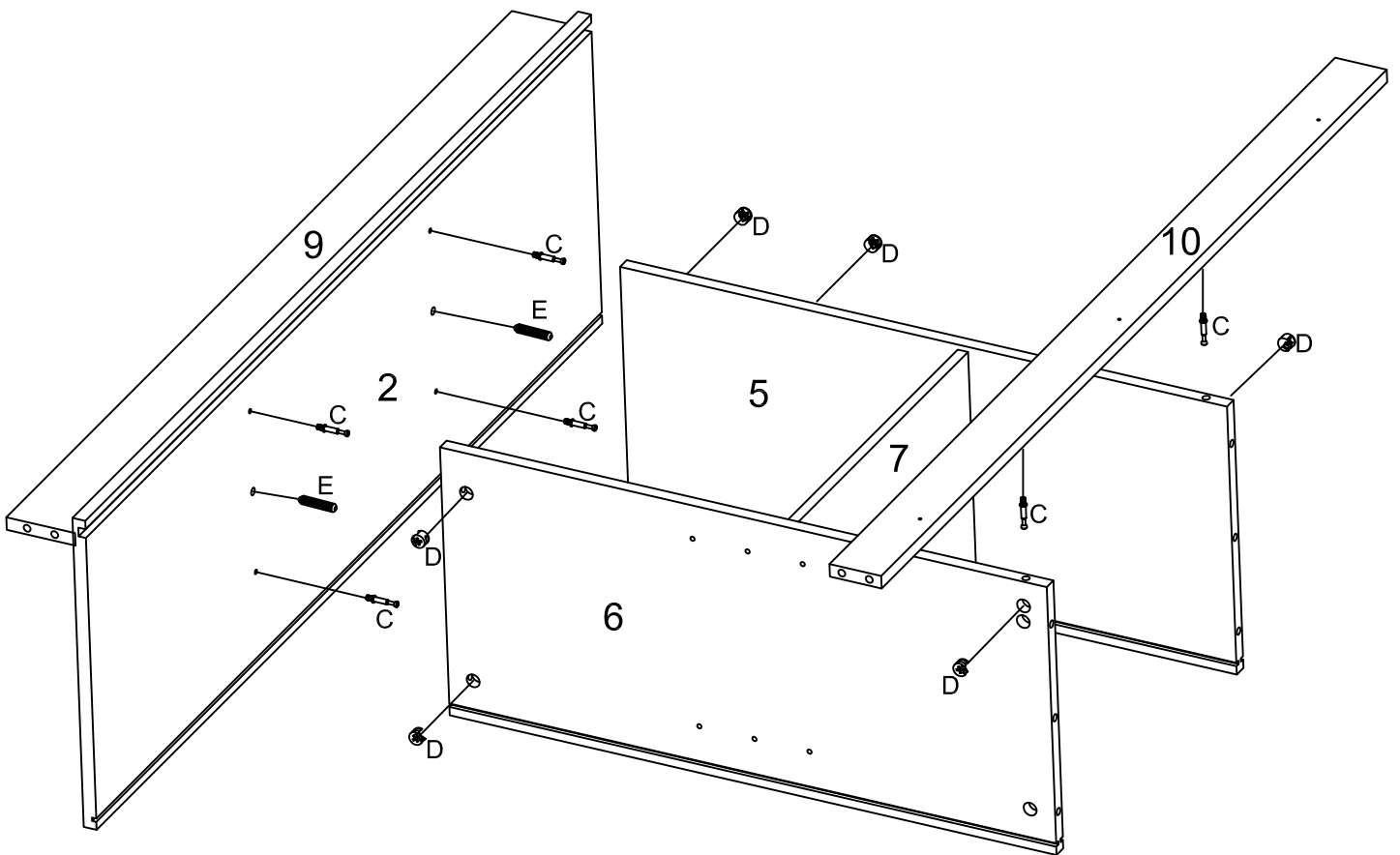
STEP2



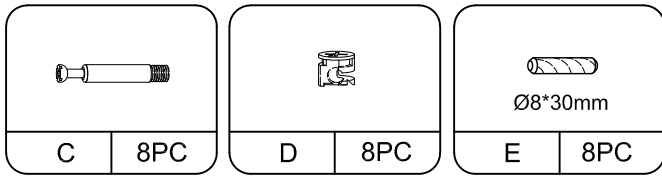
Insert part C, E into panel 2.

Insert part C into panel 10.

Attach panel 2, 10 to panel 5, 6, then insert and secure cam lock D to panel 5, 6 to lock panel 2, 10.

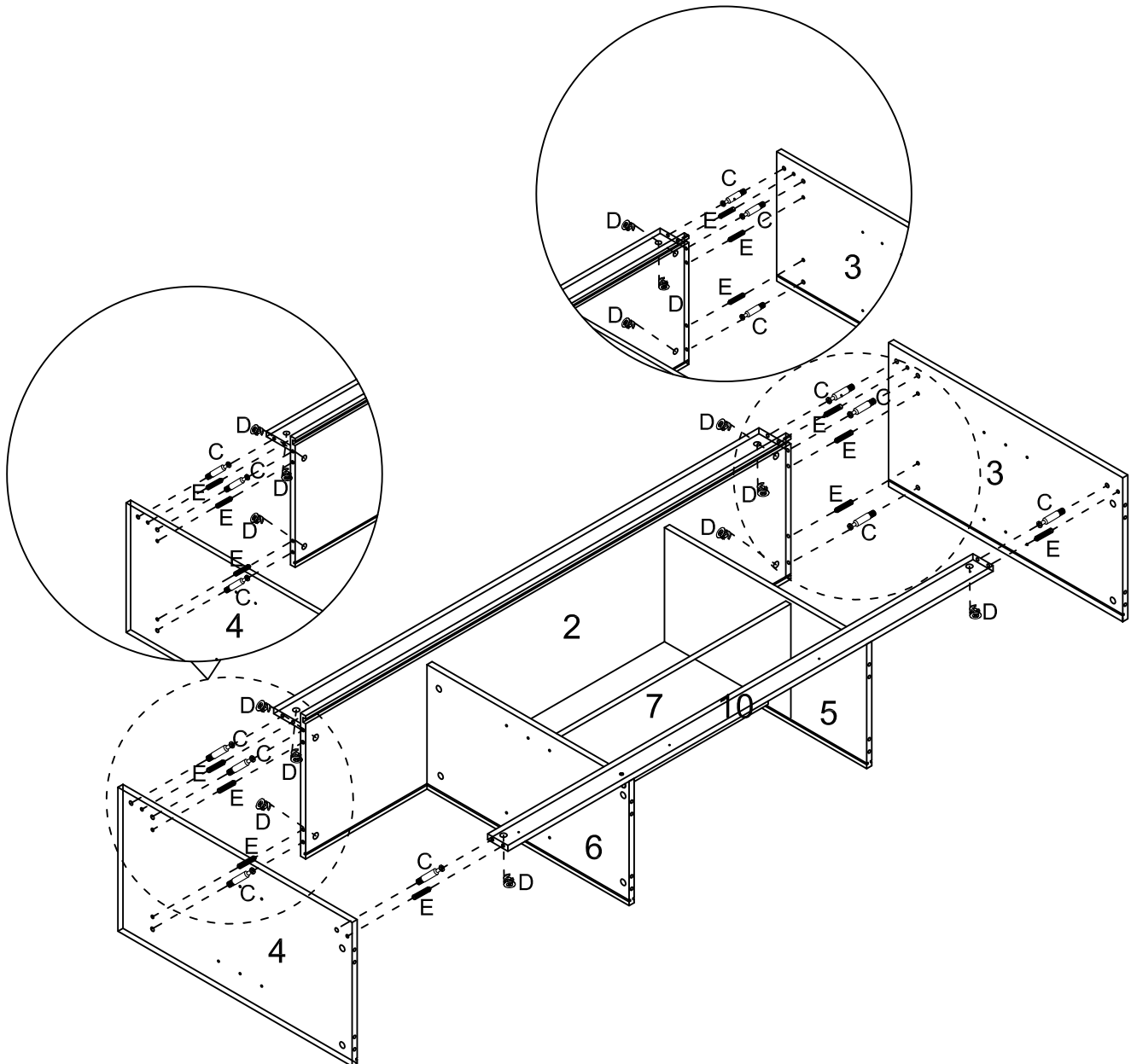


STEP3



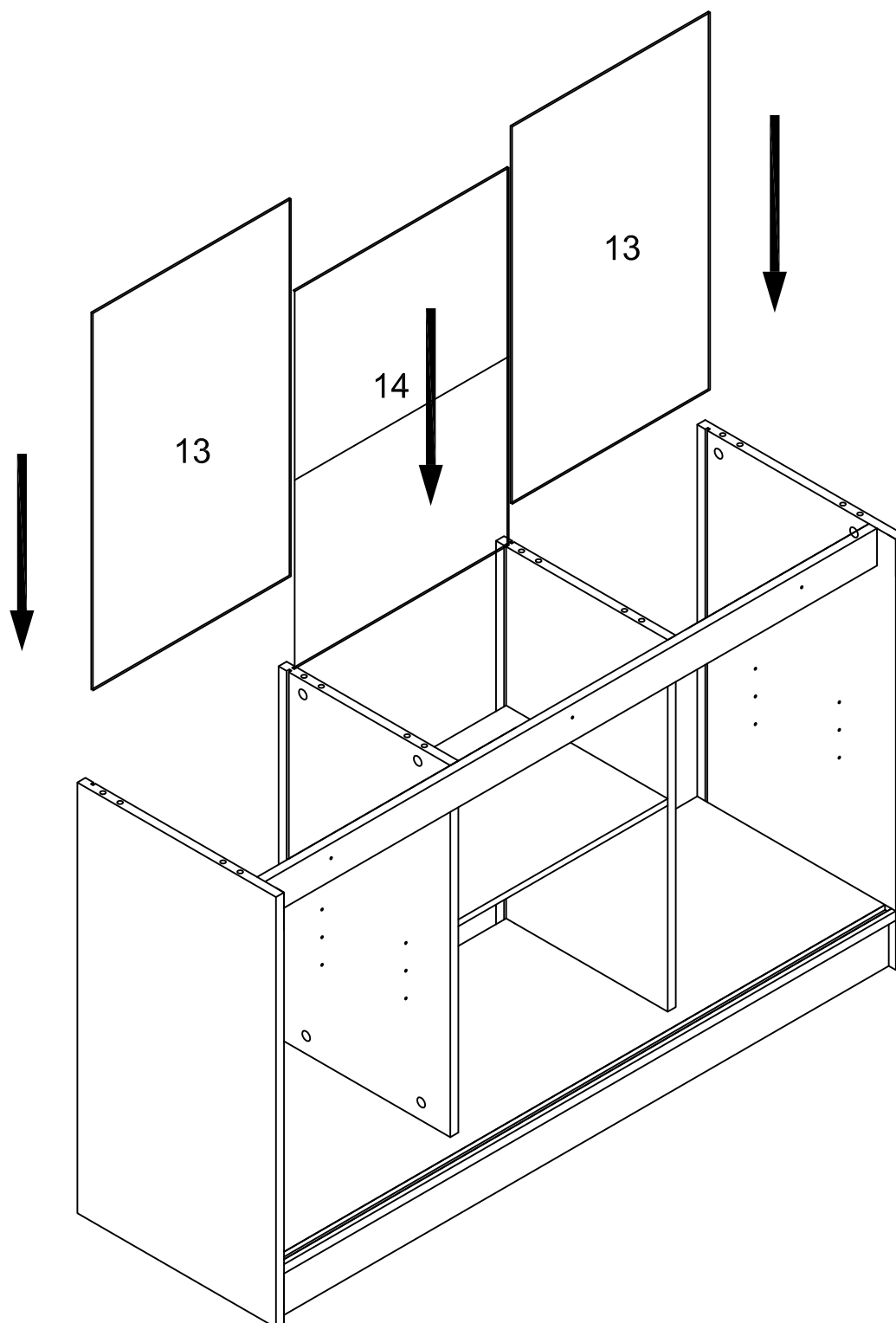
Insert part C, E into panel 3, 4.

Attach panel 3, 4 to panel 2, 9, 10, then insert and secure cam lock D to panel 2, 9, 10 to lock panel 3, 4.

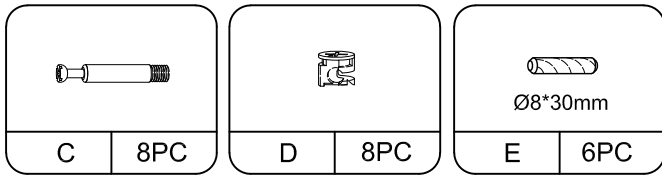


STEP4

Slide back panel 13, 14 into groove as per diagram.



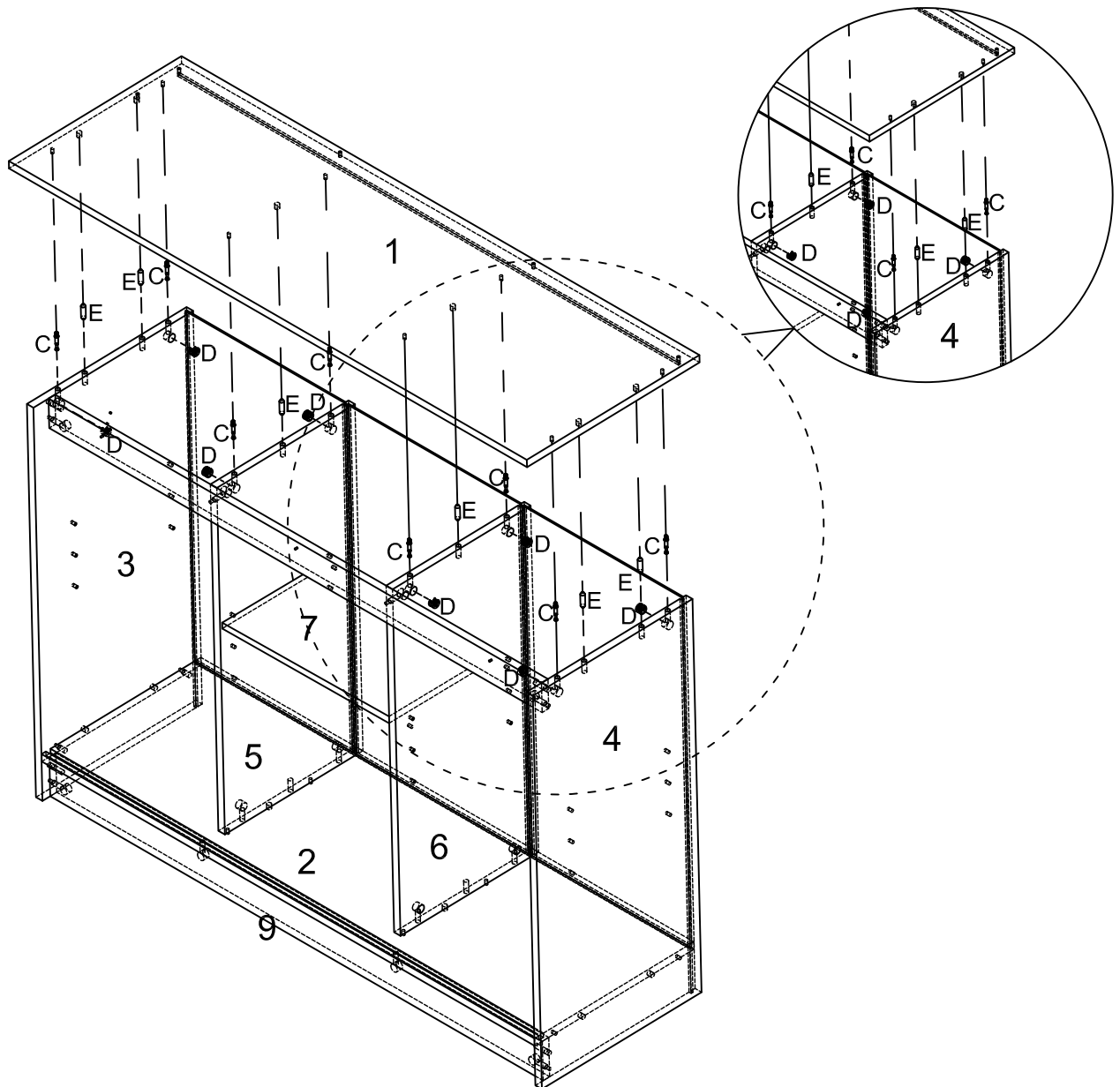
STEP 5



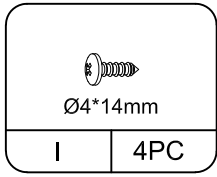
Insert part C into panel 1.

Insert part E into panel 3, 4, 5, 6.

Attach panel 1 to panel 3, 4, 5, 6, then insert and secure cam lock D to panel 3, 4, 5, 6 to lock panel 1.

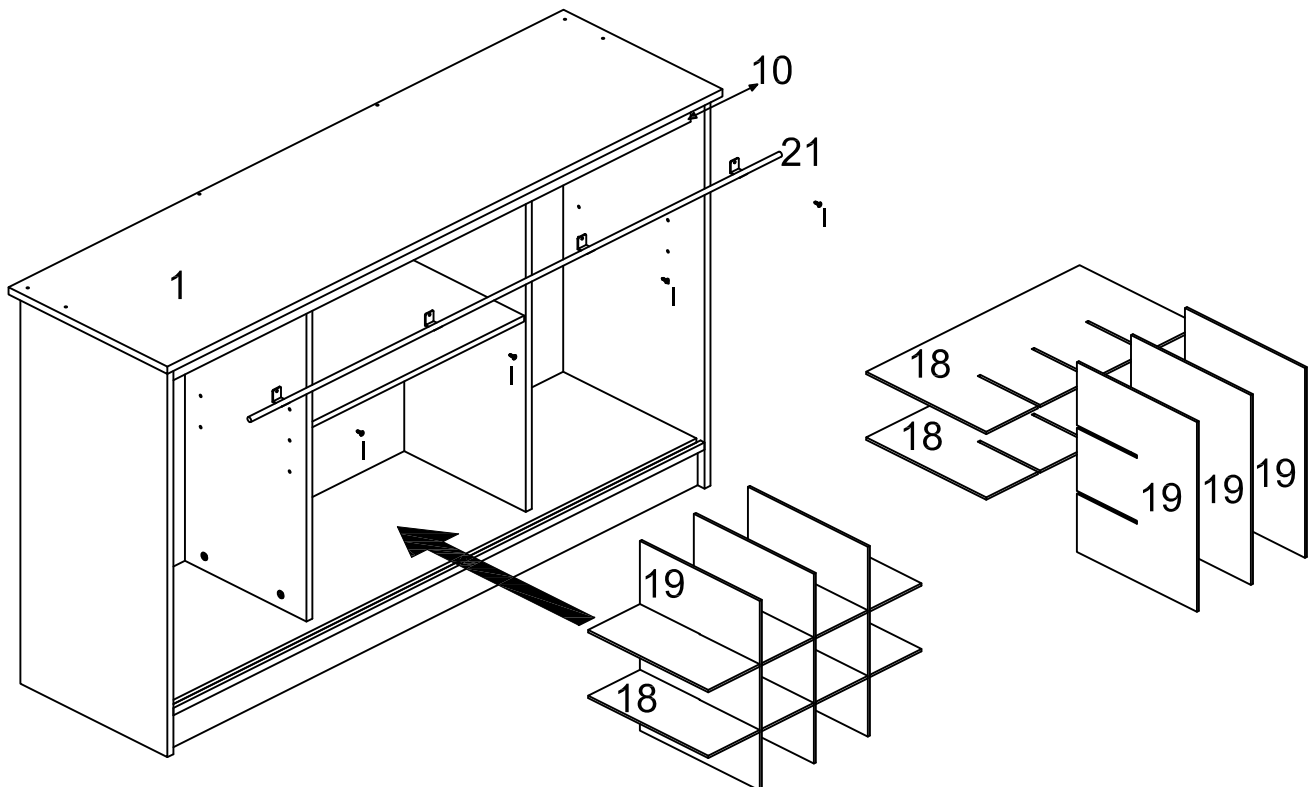


STEP 6

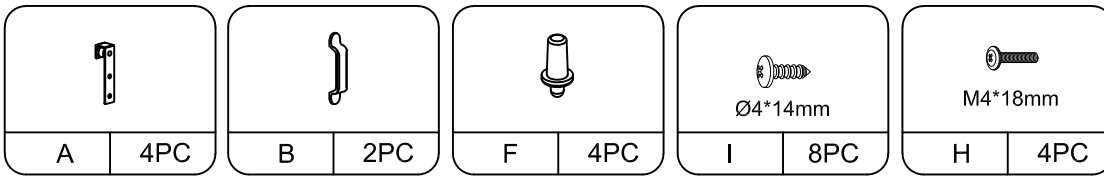


5 panel 18,19 cross connect as per diagram, then attach panel 18,19 to grooves as per diagram.

Attach part 21 to panel 10 with screw I.

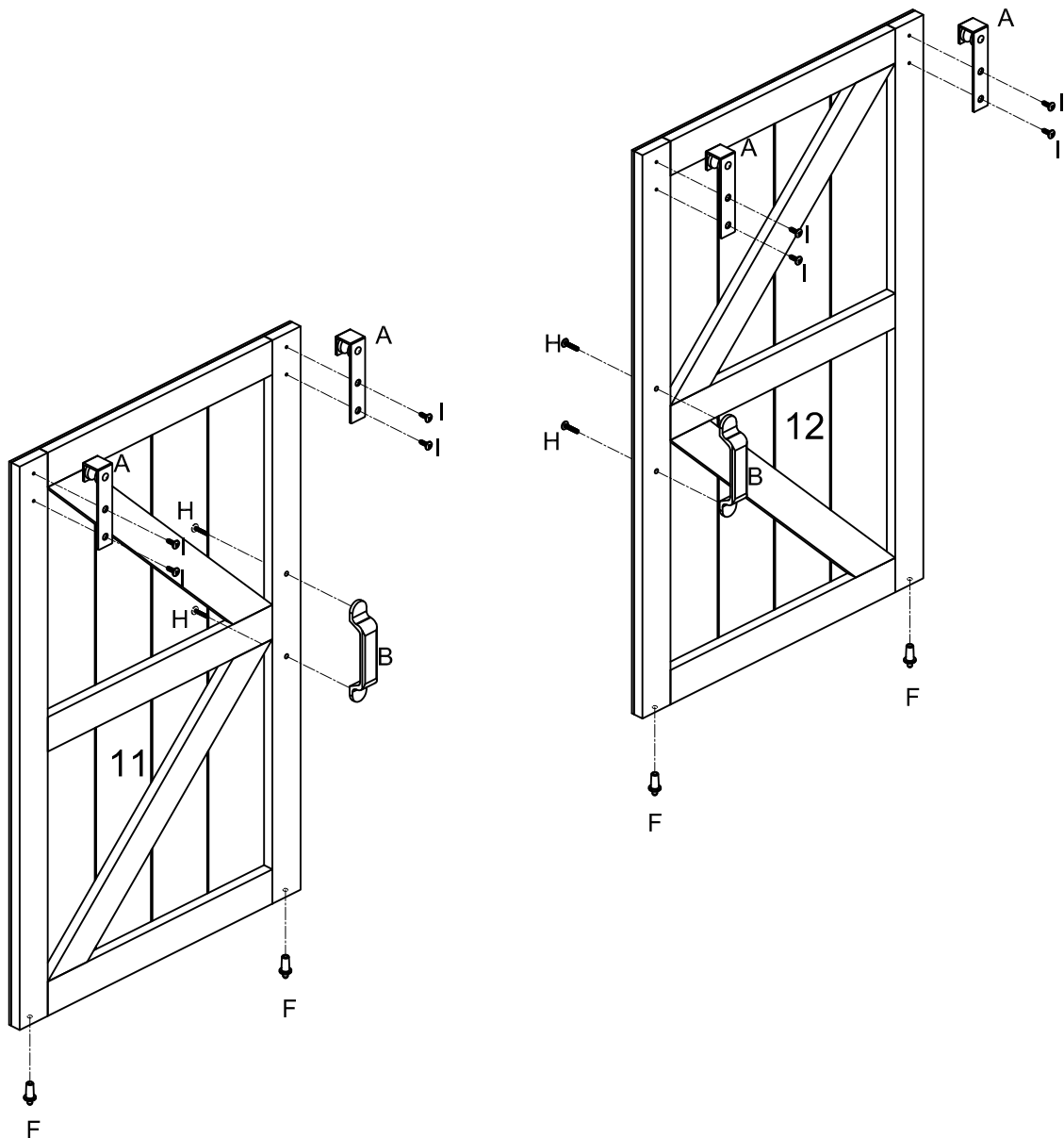


STEP 7

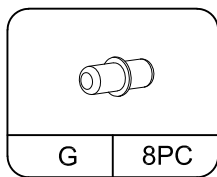


Attach part A, B to panel 11,12 with screw H, I.

Attach part F to panel 11, 12.

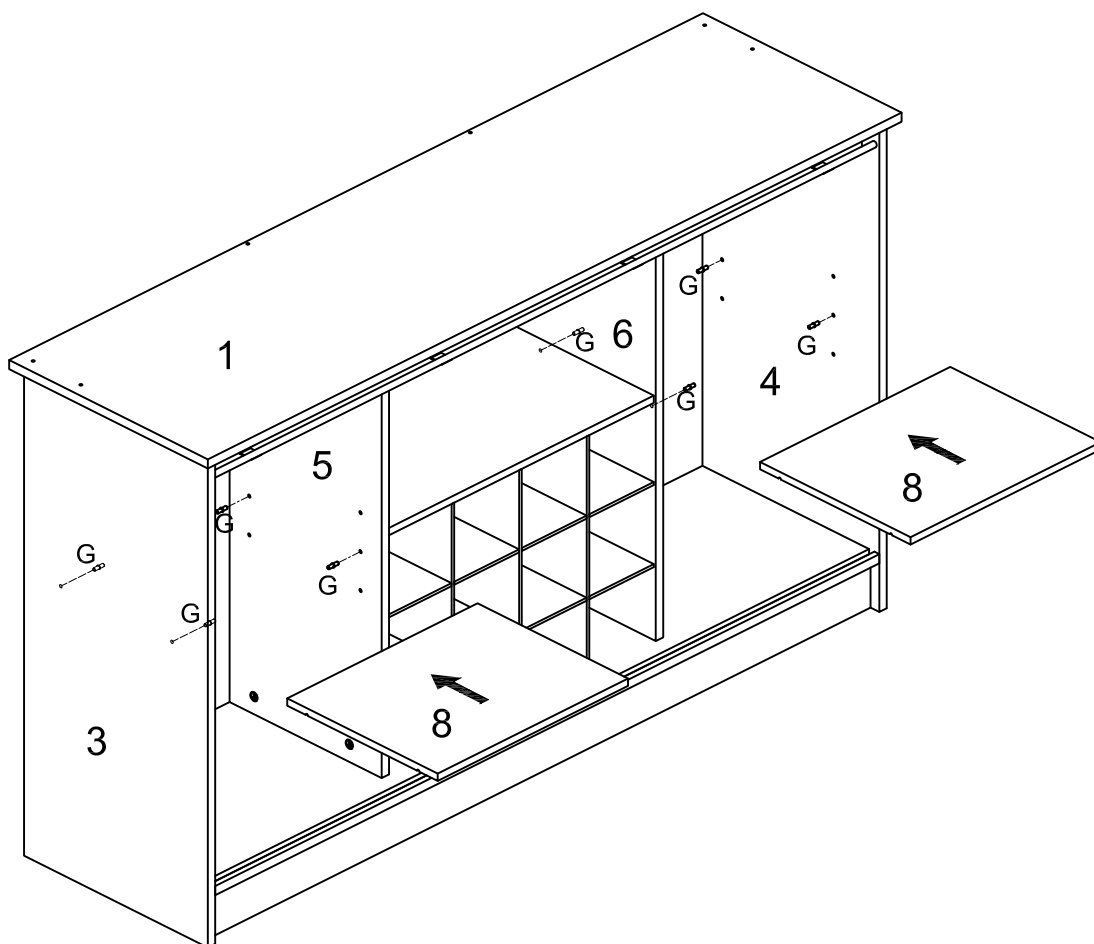


STEP 8



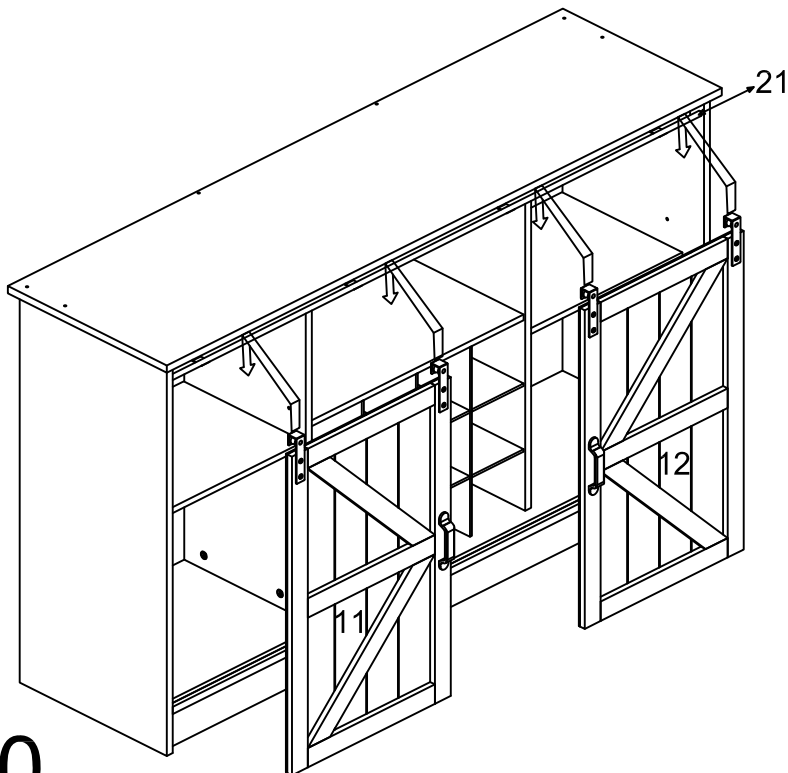
Insert part G into panel 3, 4, 5, 6.

Attach panel 8 to panel 3, 4, 5, 6 with part G as per diagram.



STEP9

Attach panel 11, 12 to part 21 with part A as per diagram.

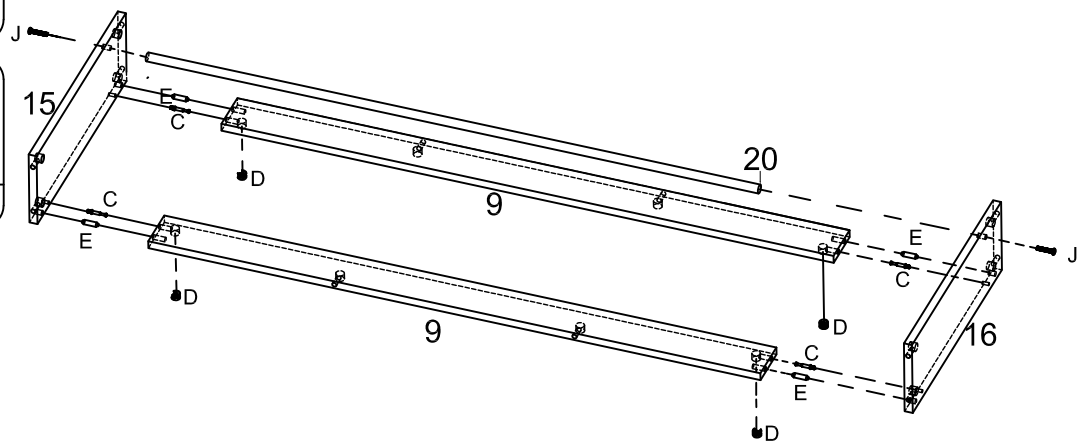
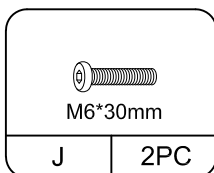
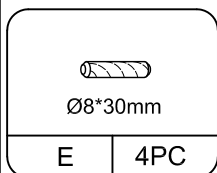
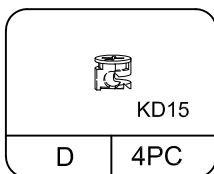
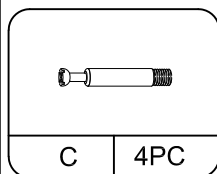


STEP10

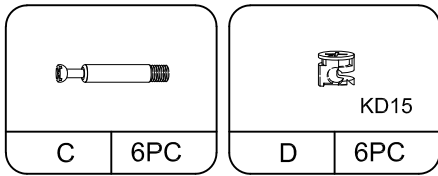
Insert part C, E into panel 15,16

Attach panel 15, 16 to panel 9, then insert and secure cam lock D to panel 9 to lock panel 15, 16.

Attach part 20 to panel 15, 16 with screw J.

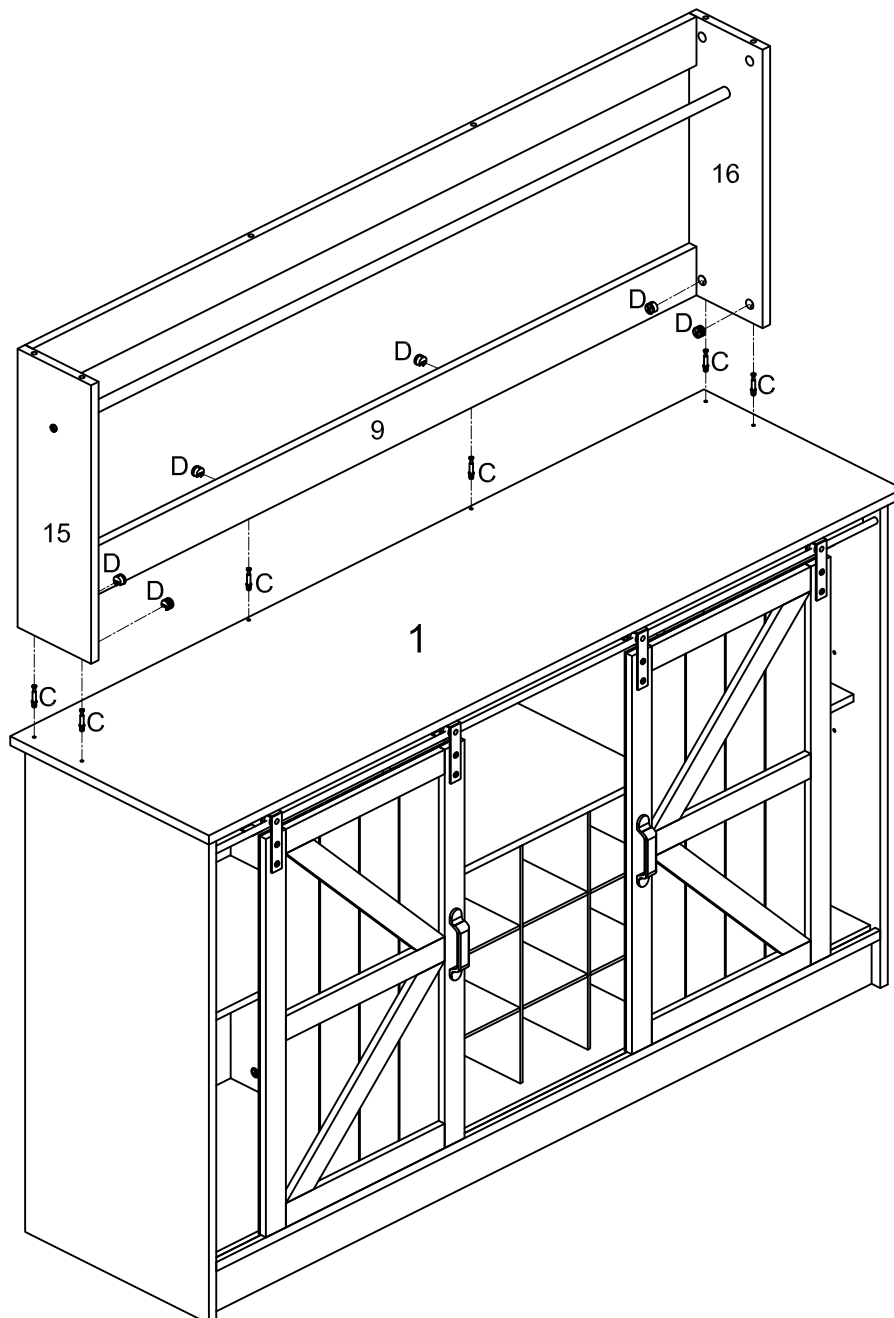


STEP 11

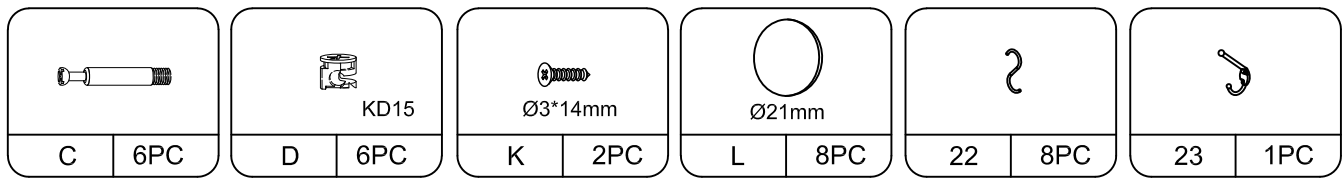


Insert part C into panel 1.

Attach panel 15, 16, 9 to panel 1, then insert and secure cam lock D to panel 15, 16, 9 to lock panel 1.



STEP 12

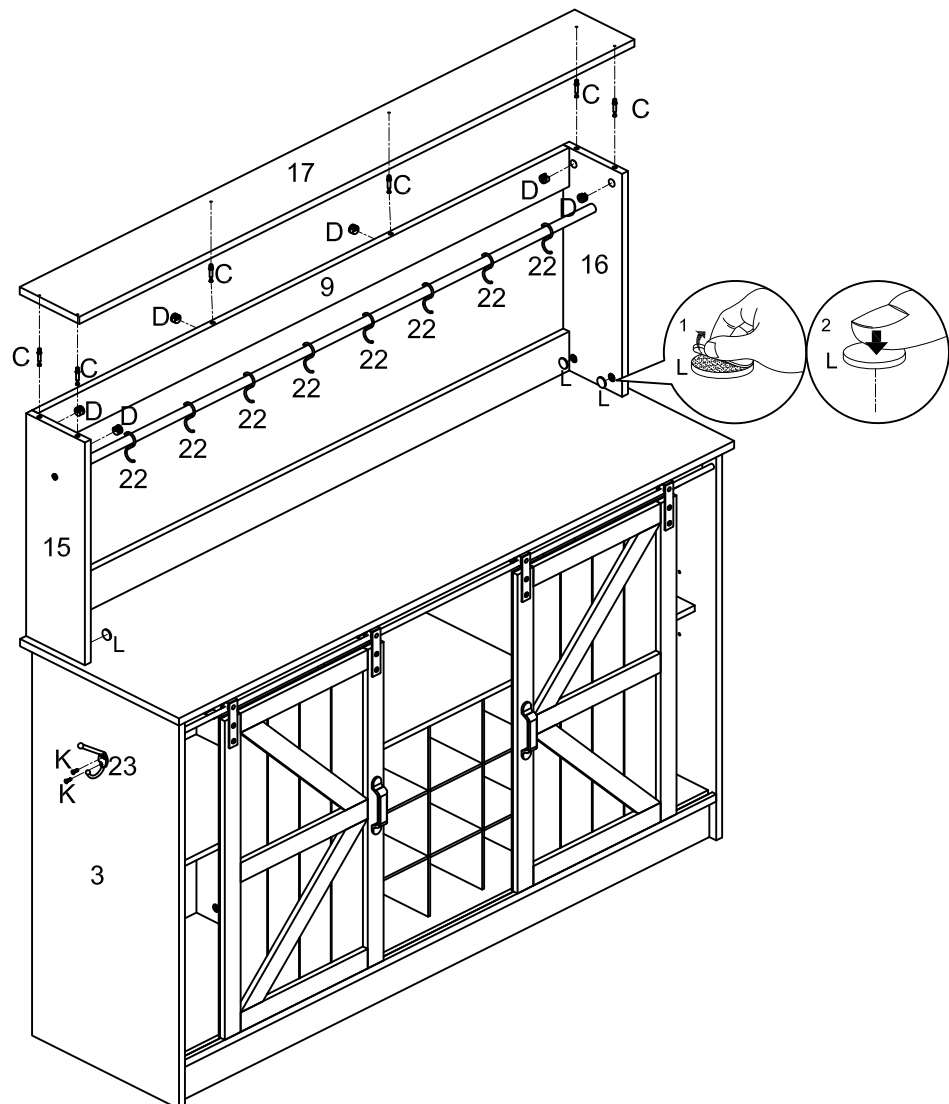


Insert part C into panel 17.



Attach panel 17 to panel 15, 16, 9, then insert and secure cam lock D to panel 15, 16, 9 to lock panel 17.

Put the 22 on the part 20.

Attach part 23 to panel 3 with screw K.



STEP 13

 Ø4*16mm		 15X13X9mm	
K	12PC	P	12PC

Warm tips: If it doesn't feel firm. This can be used for reinforcement

