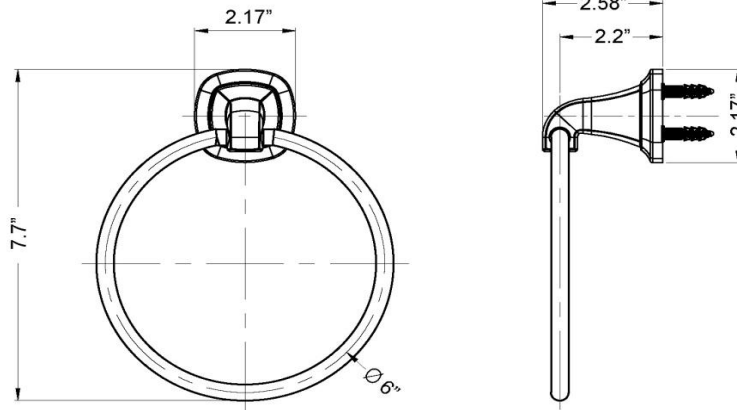


TECHNICAL DATA

#BA57 Series Towel Ring



Specifications :

- * Towel Ring ~ Material : Aluminum or Steel
 - ~ Finish : Chrome / SN - Aluminum by Anodization
 - : ORB - Steel by Electro-plating
 - ~ Ring Dia. : 7.7"
- * Mounting Bracket ~ Material : Zinc alloy
 - ~ Finish : Chrome / SN / ORB - by Electro-plating
- * Mounting Hardware Included
 - : #10 x 1" Panhead Zinc-plated Steel Mounting Screws x 2 pcs
 - : Plastic anchor x 2 pcs



Arista Bath Hardware

WT International Inc.

4100 CEDAR COMMERCIAL DR., CEDAR SPRINGS, MI 49319, USA

