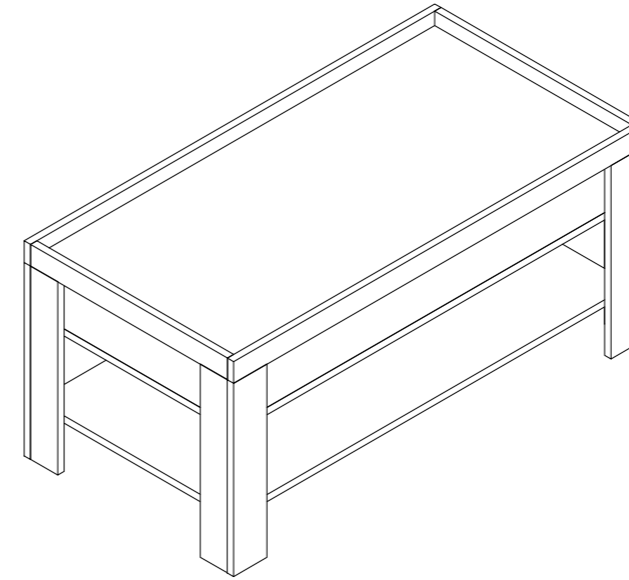
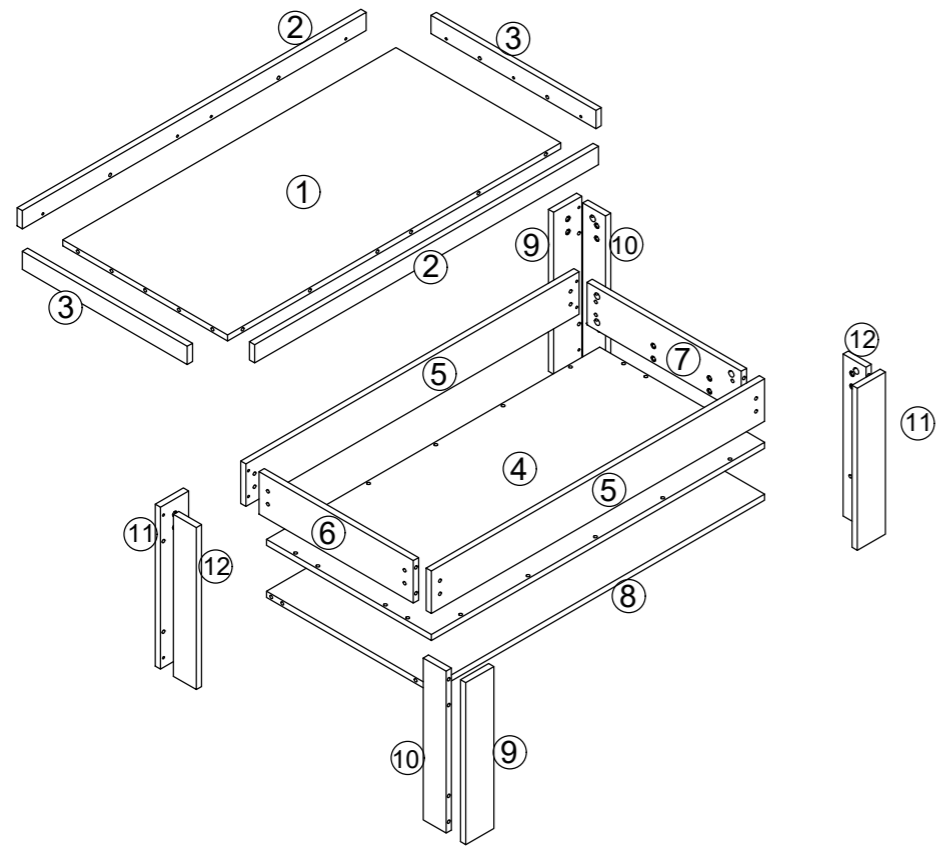
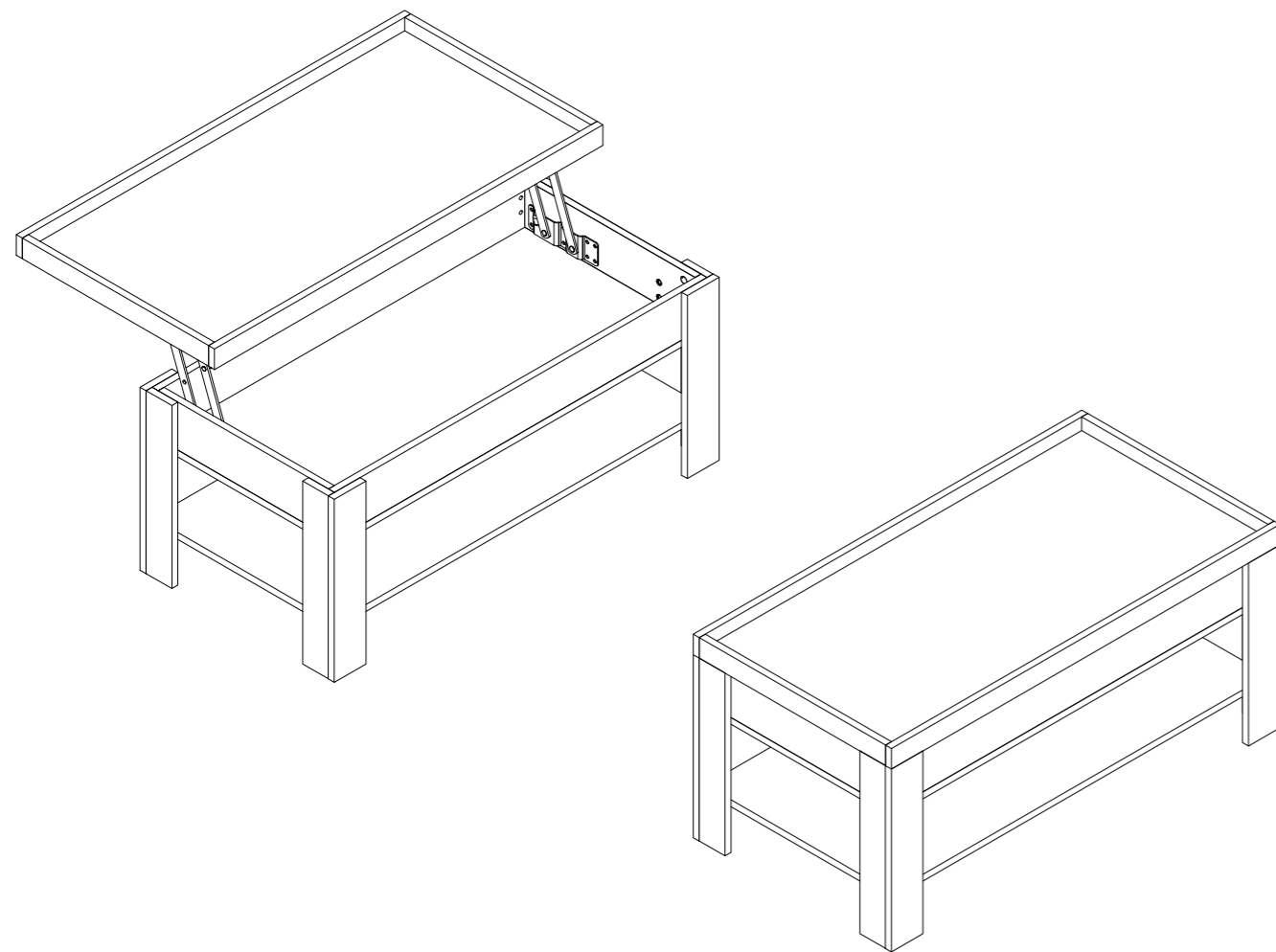


Item Description: Coffee Table
Dimension: 98*50*45cm

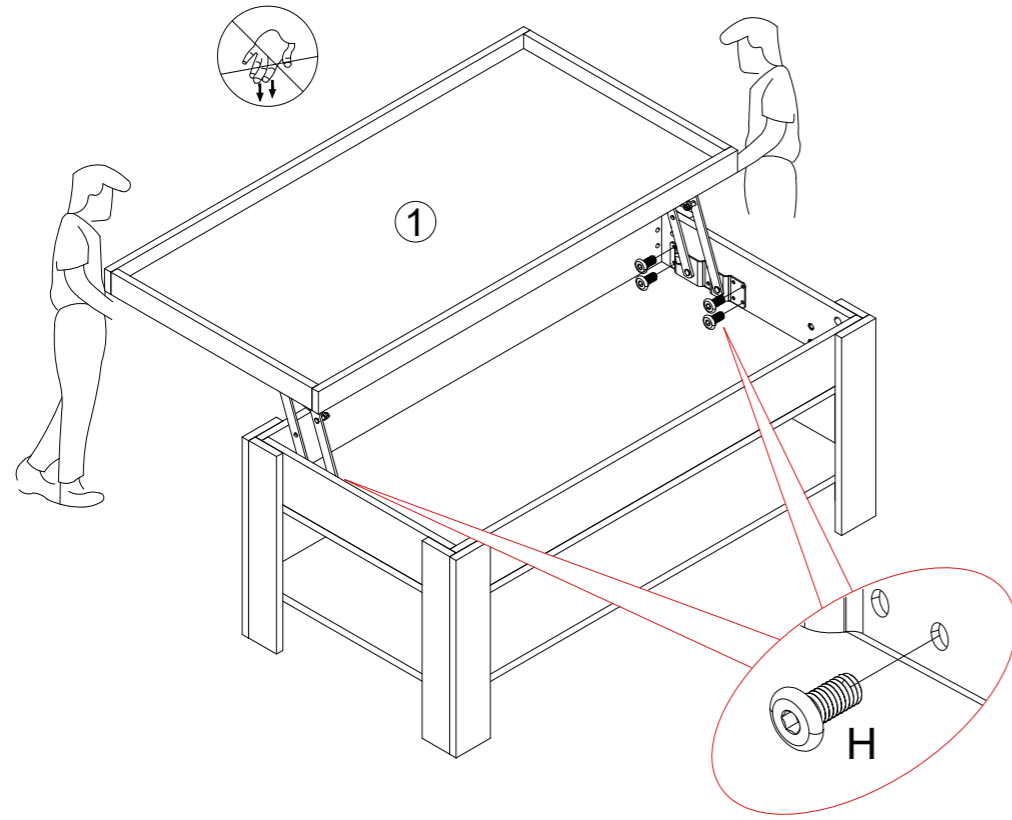


Coffee Table

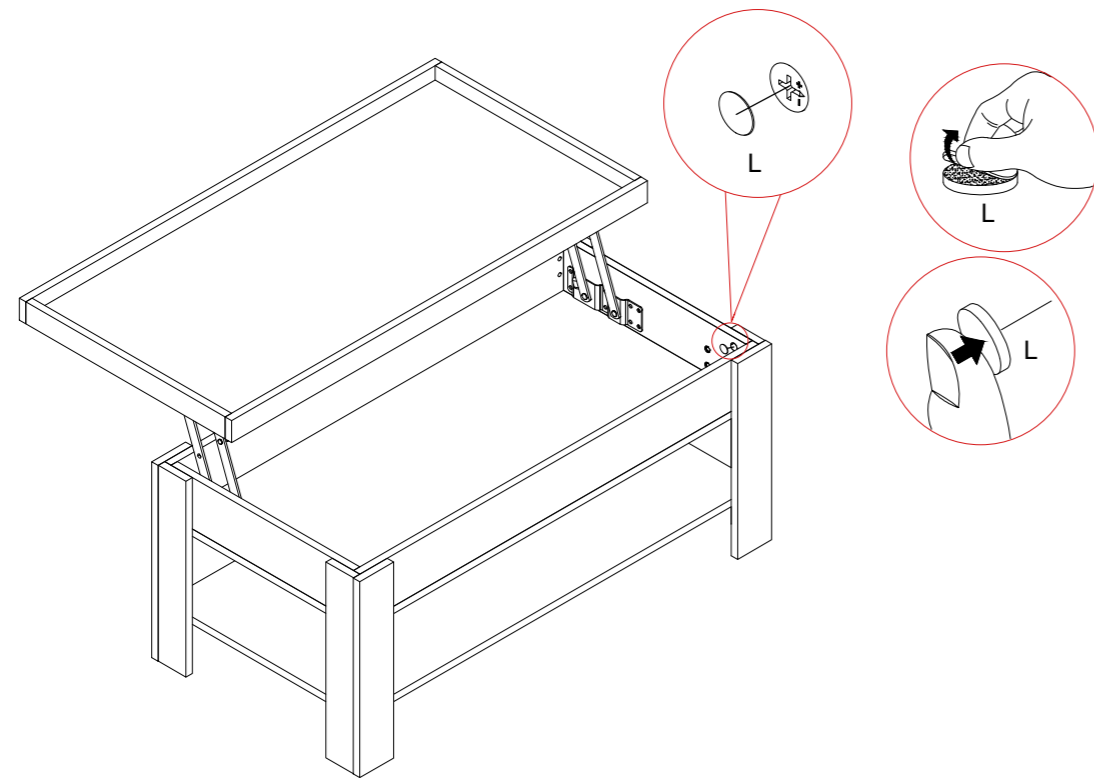
Dimension: 98*50*45cm



Step 11



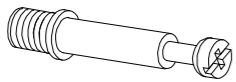
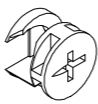

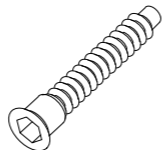
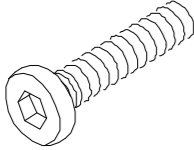
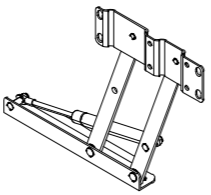
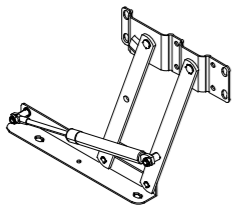
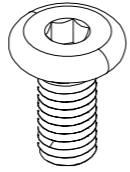
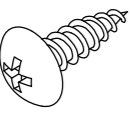

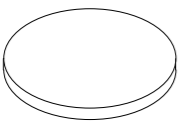
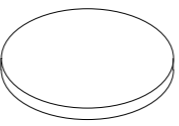
Step 12



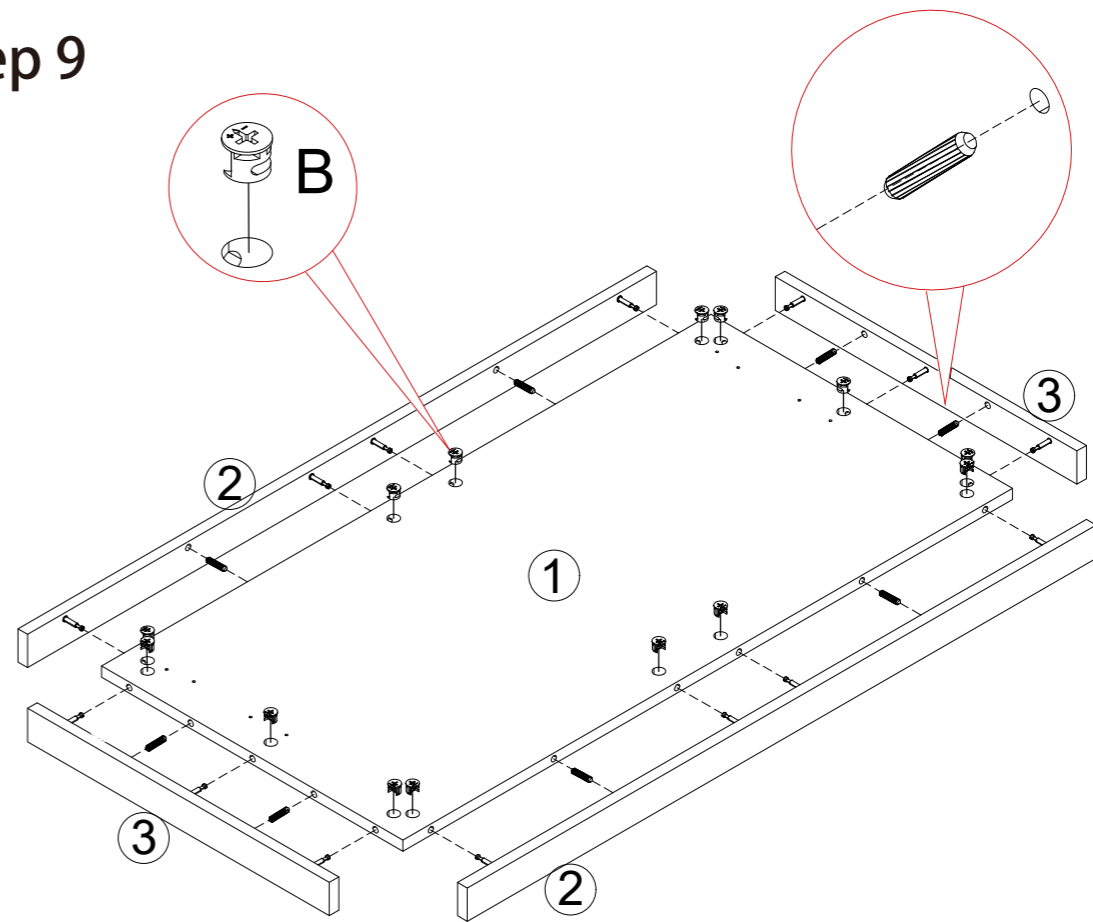
Components



1	 949*470*15mm	1	2	 980*45*15mm	2
3	 470*45*15mm	2	4	 940*460*15mm	1
5	 940*105*15mm	2	6	 430*105*15mm	1
7	 430*105*15mm	1	8	 940*460*15mm	1
9	 400*80*15mm	2	10	 400*65*15mm	2
11	 400*80*15mm	2	12	 400*65*15mm	2

Screws & Tools

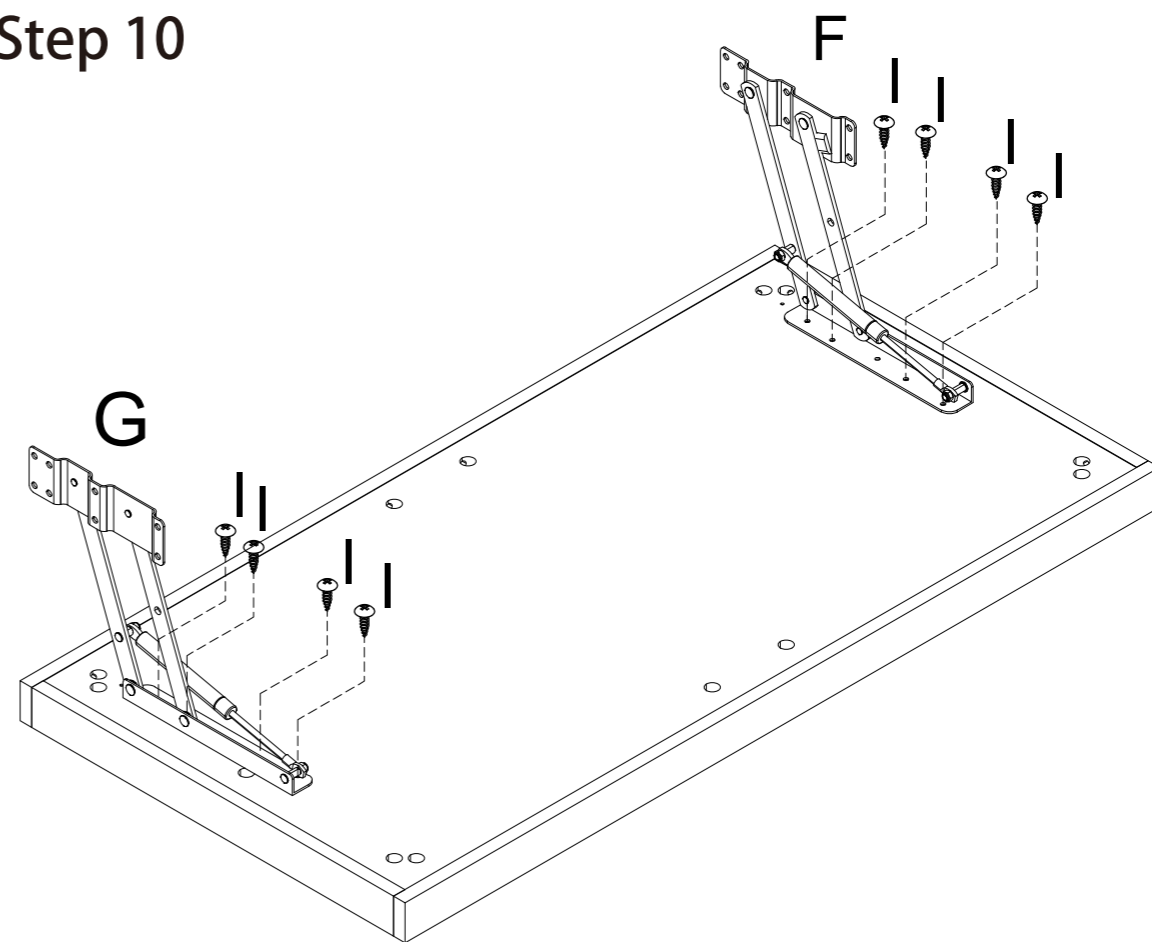
A		34pcs	B		34pcs
C		28pcs	D		10pcs
E	 M6×25mm	16pcs	F		1pc
G		1pc	H	 M6×12mm	8pcs
I	 Ø4x14mm	8pcs	J		1pc
K		8pcs	L		22pcs




Step 9



	BX14
	CX8

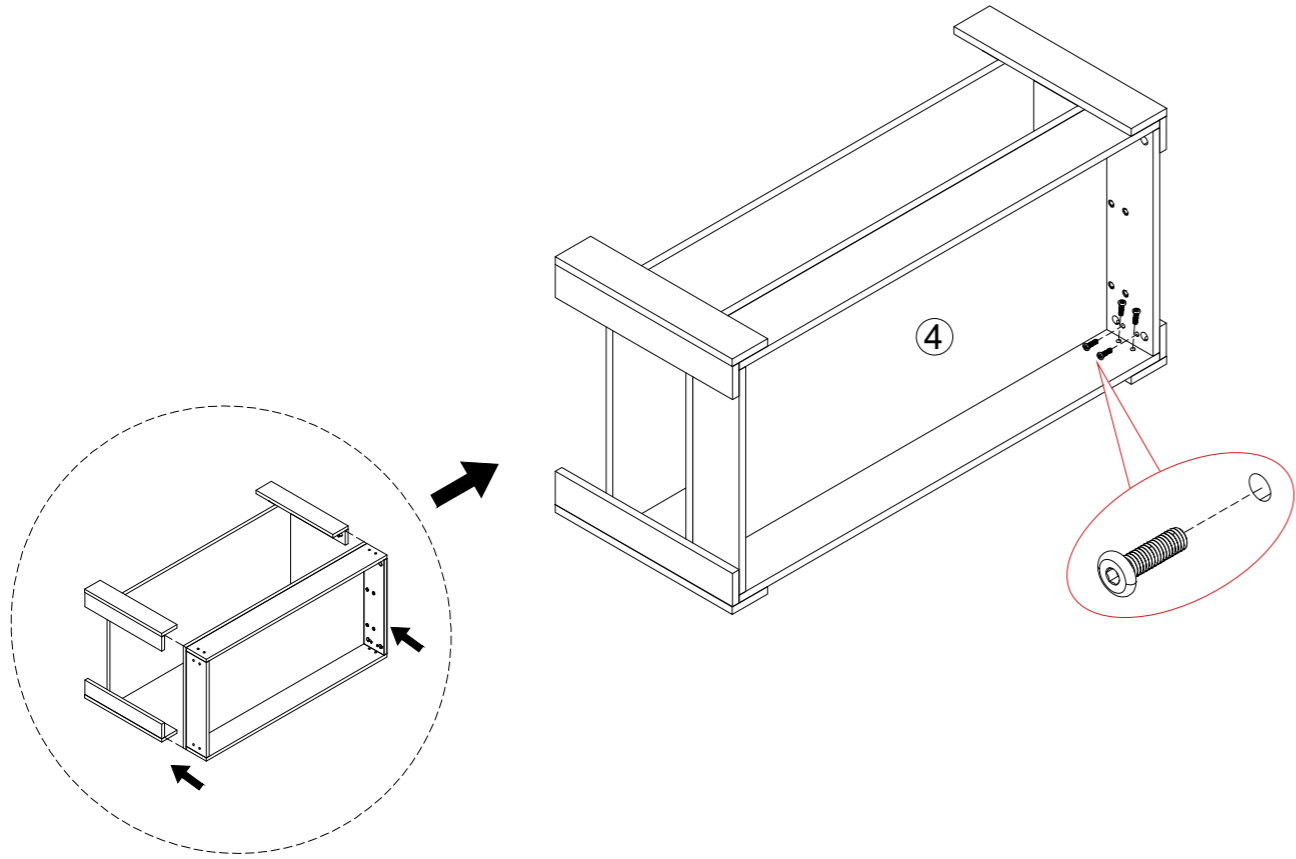
Step 10



	FX1
	GX1
	IX8

Step 7

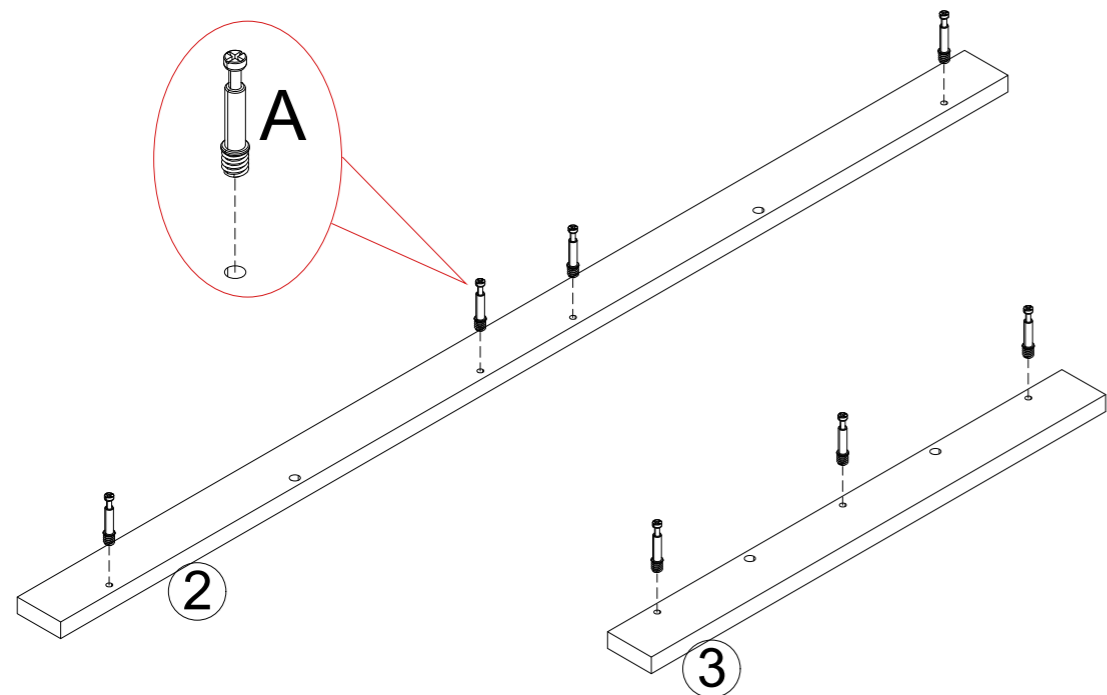
EX16



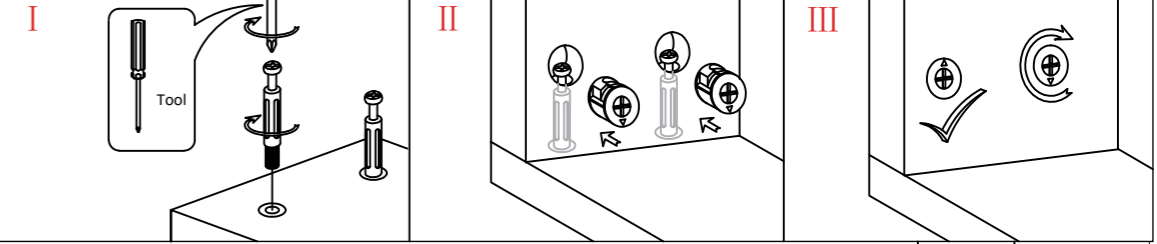
Step 8

AX14

x2



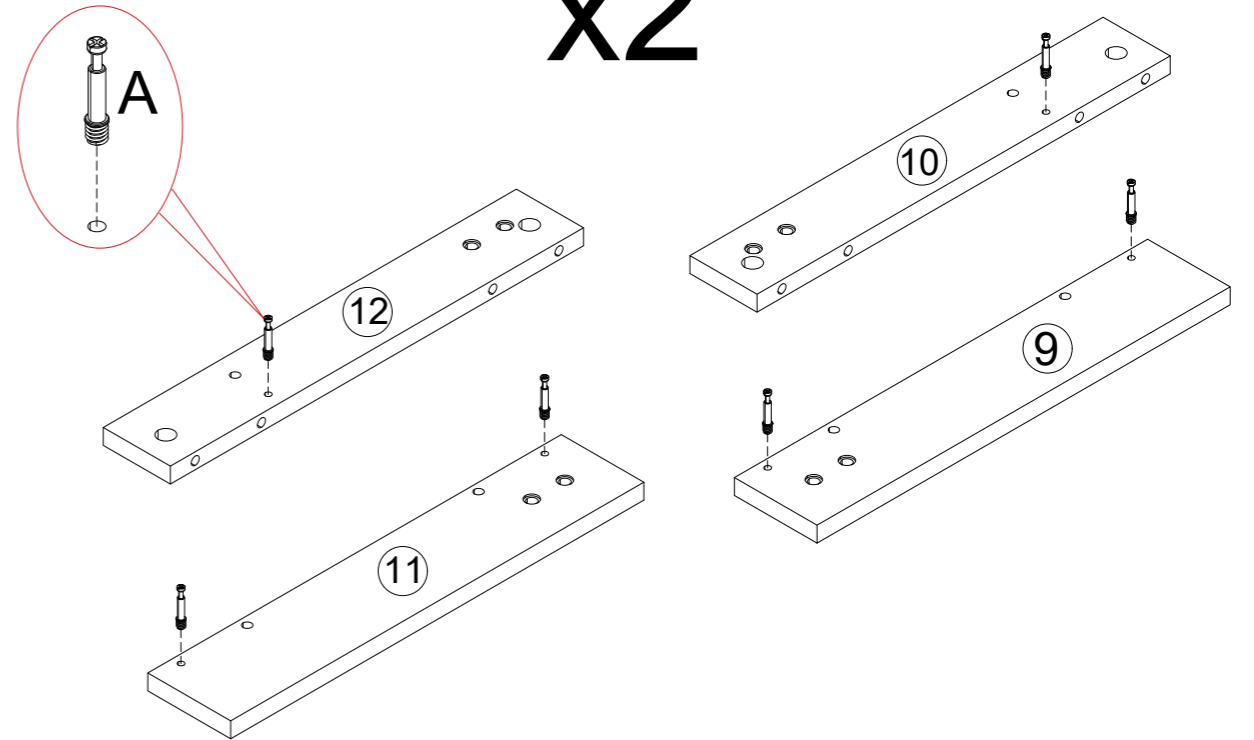
"A&B" Hardware Assembly example



Step 1

AX12

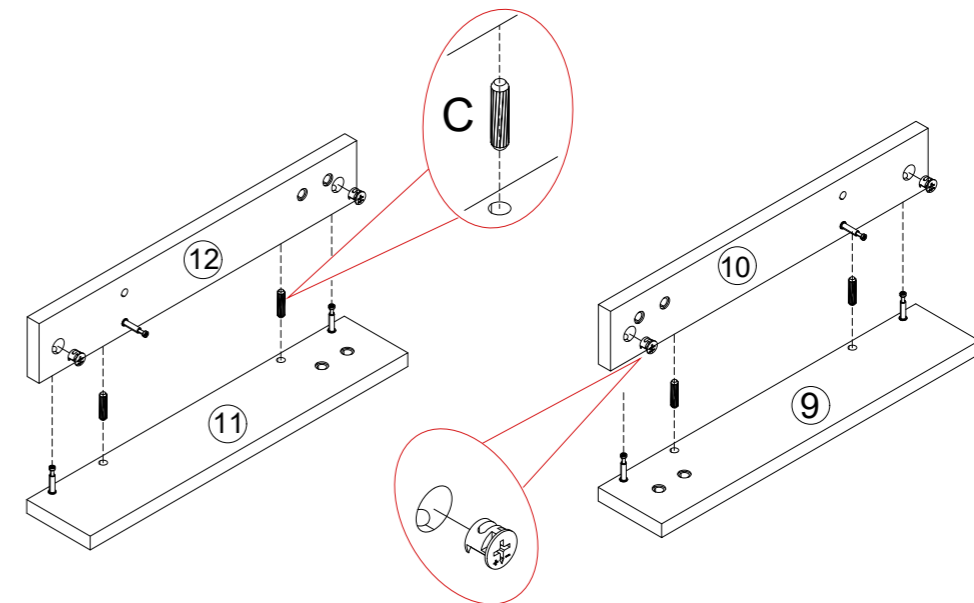
x2



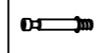
Step 2

BX8
CX8

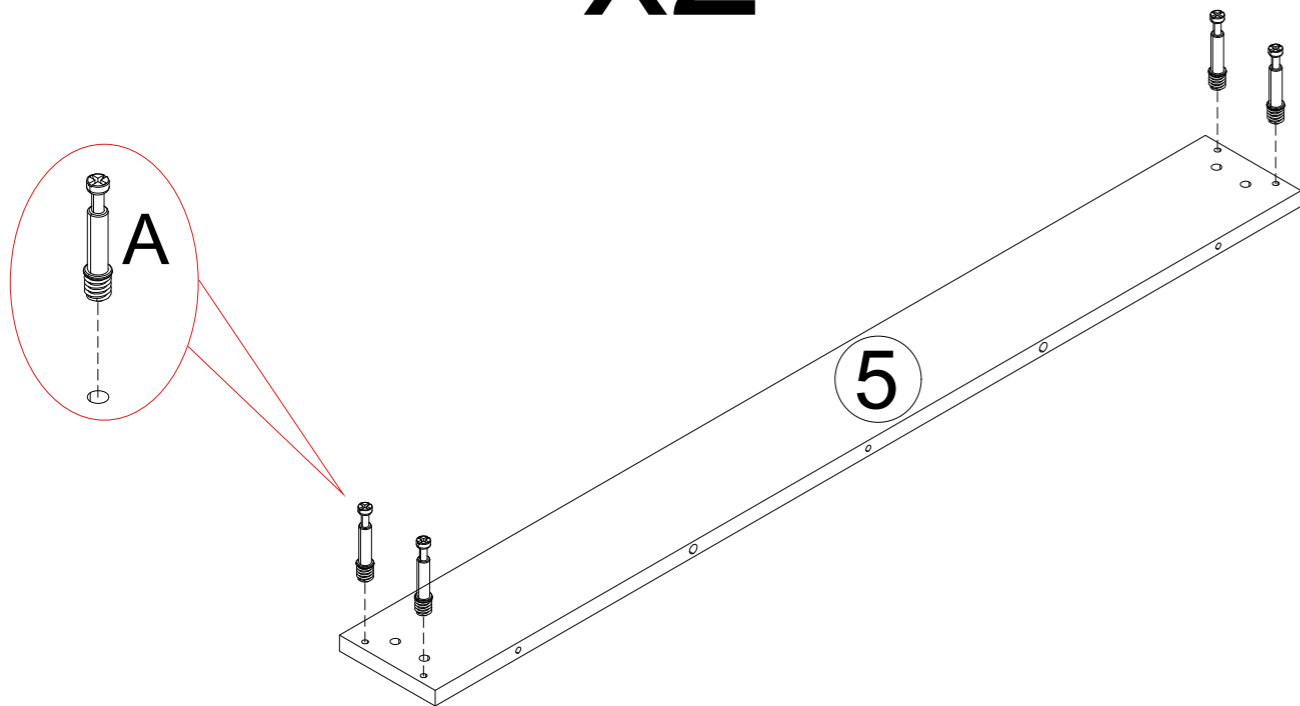
x2



Step 3

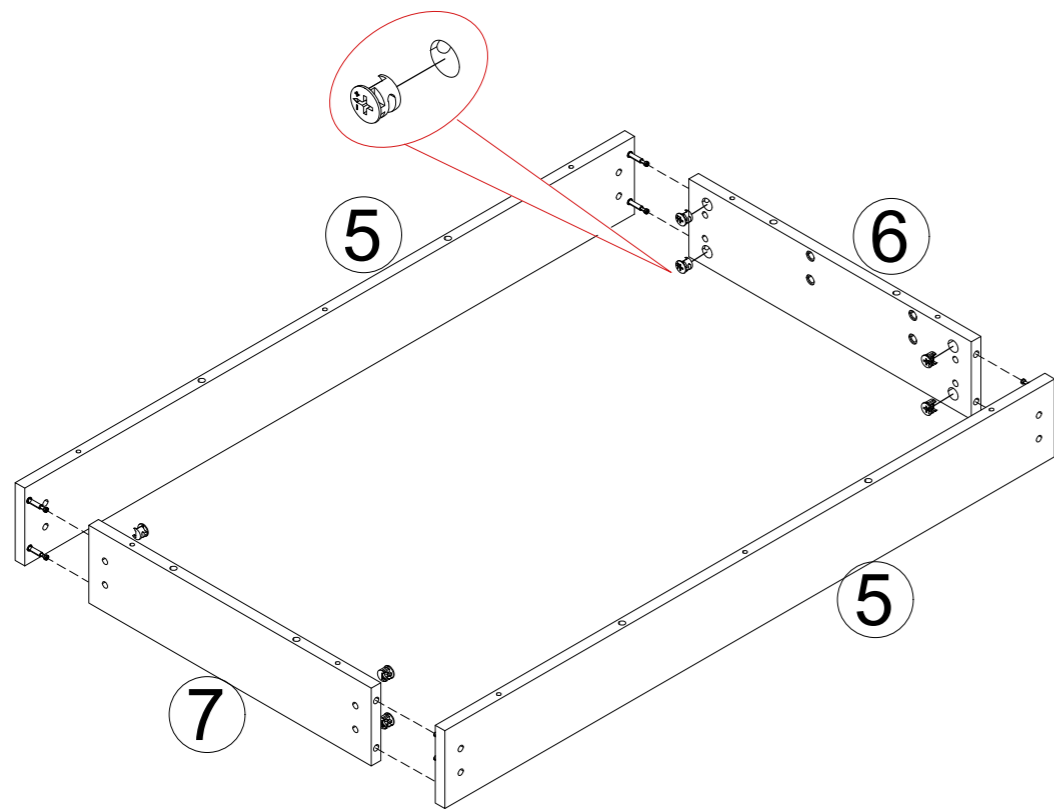
 AX8

x2





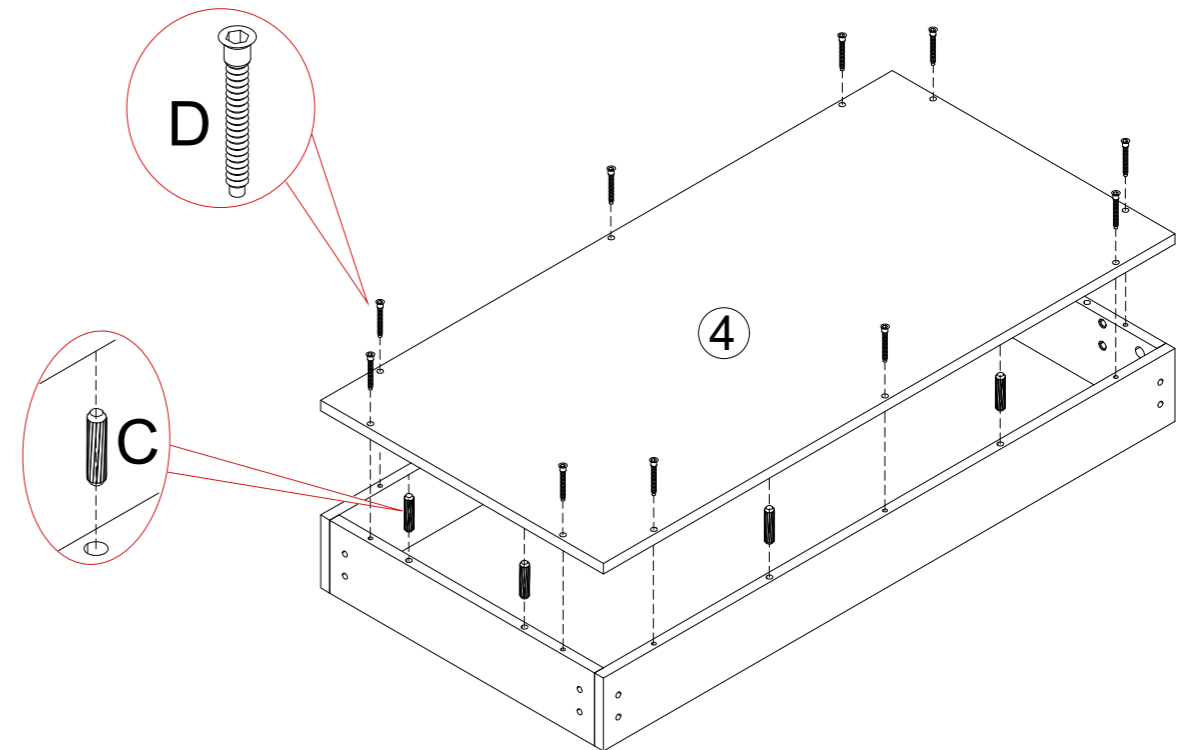
Step 4

 BX8


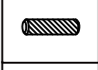



Step 5

 CX8
 DX10



Step 6

 BX4
 CX4
 KX8

