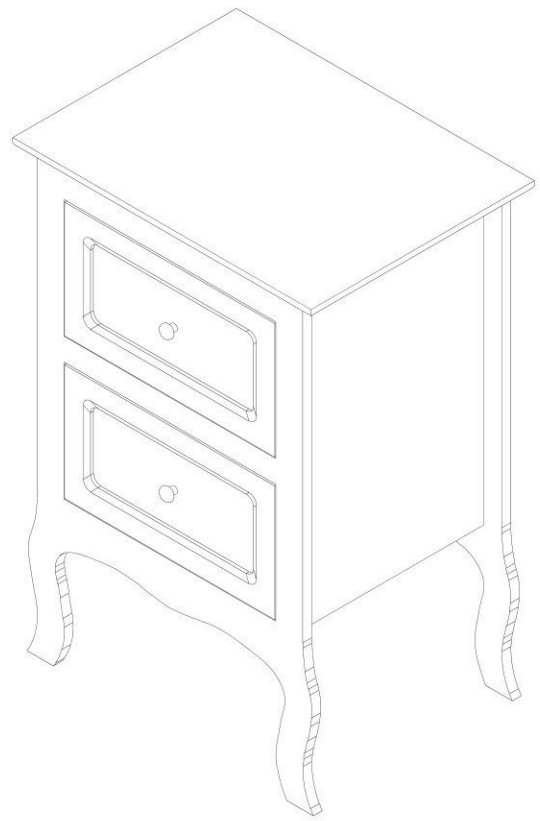
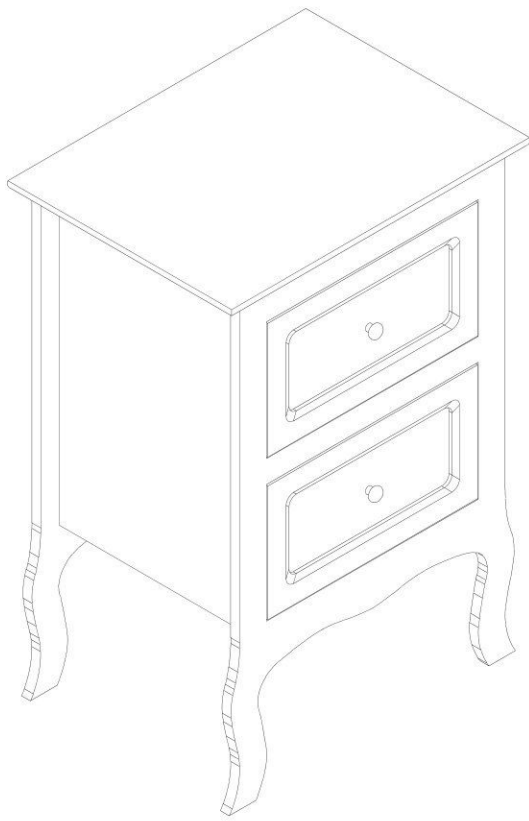
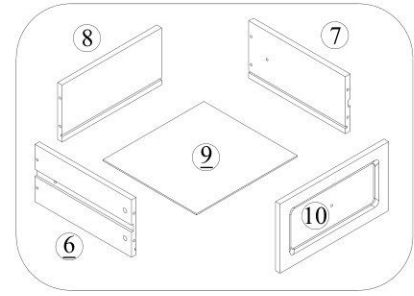
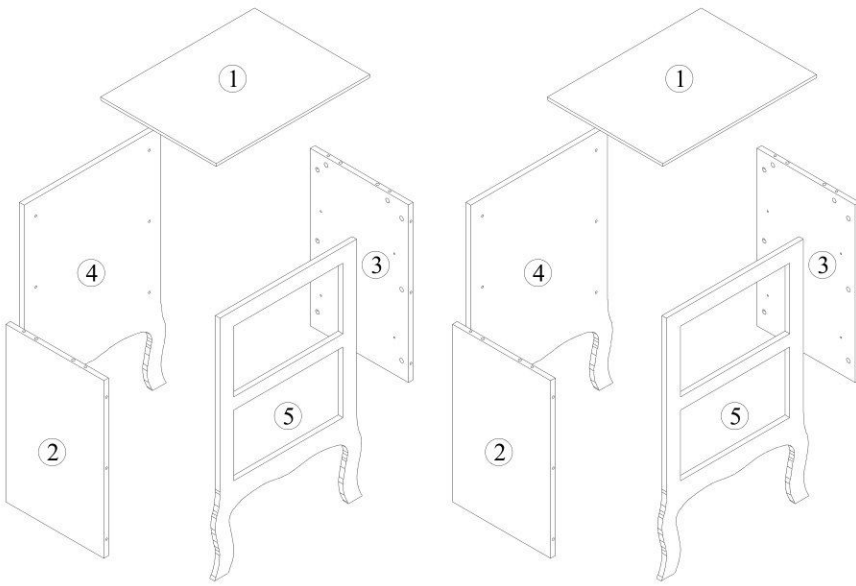
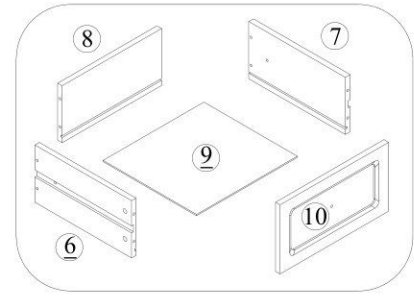


Assembly Instruction




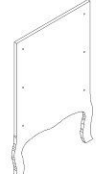




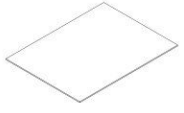







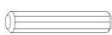









x2



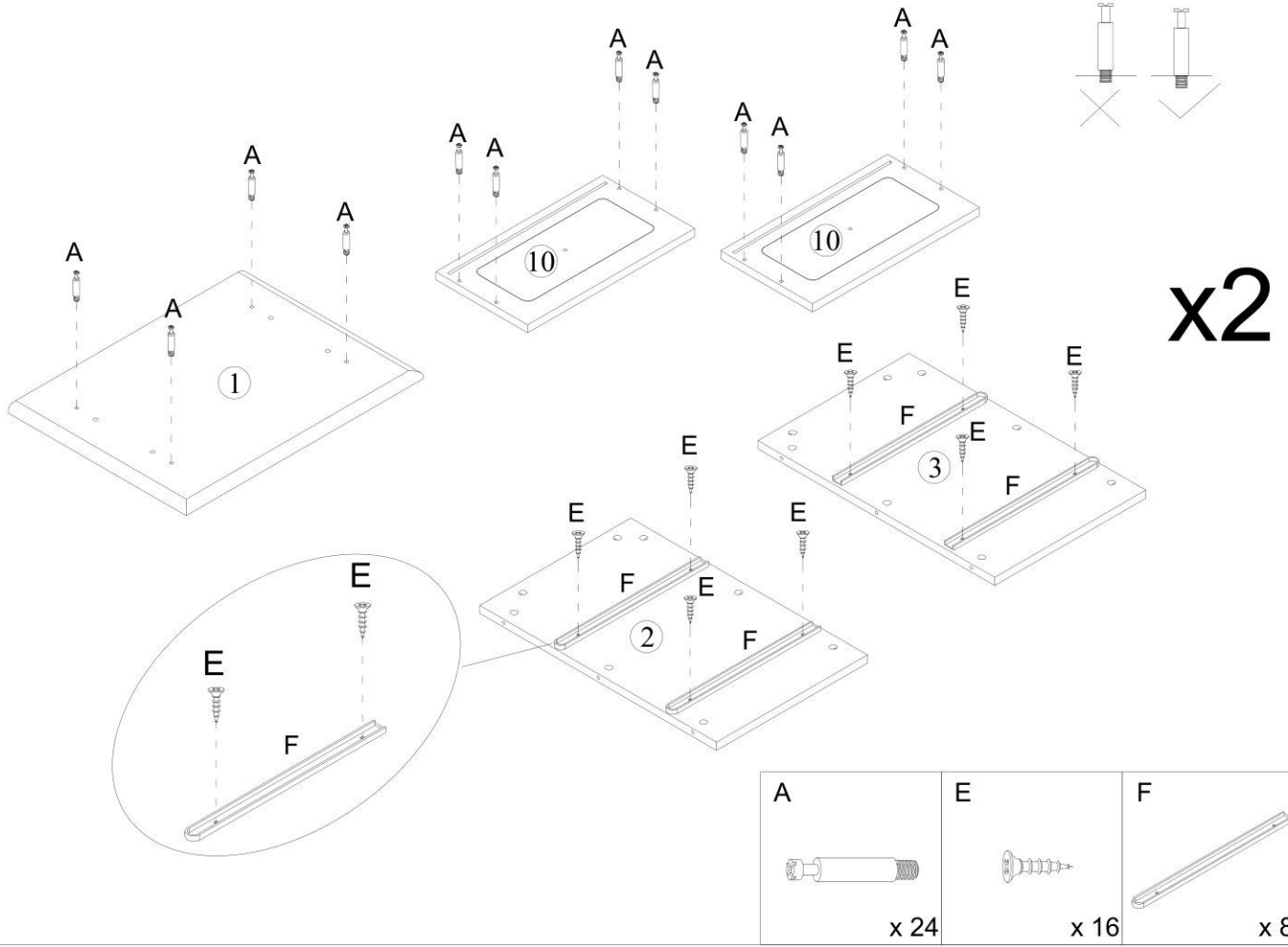
x2

1  400x300x15 x2	2  398x255x12 x2	3  398x255x12 x2	4  585x385x15 x2
5  585x385x15 x2	6  240x129x12 x4	7  240x129x12 x4	8  255x129x12 x4
9  263x236 x4	10  280x155x15 x4		

A  Φ6X35mm x 48+1	B  Φ15X10mm x 48+1
---	--

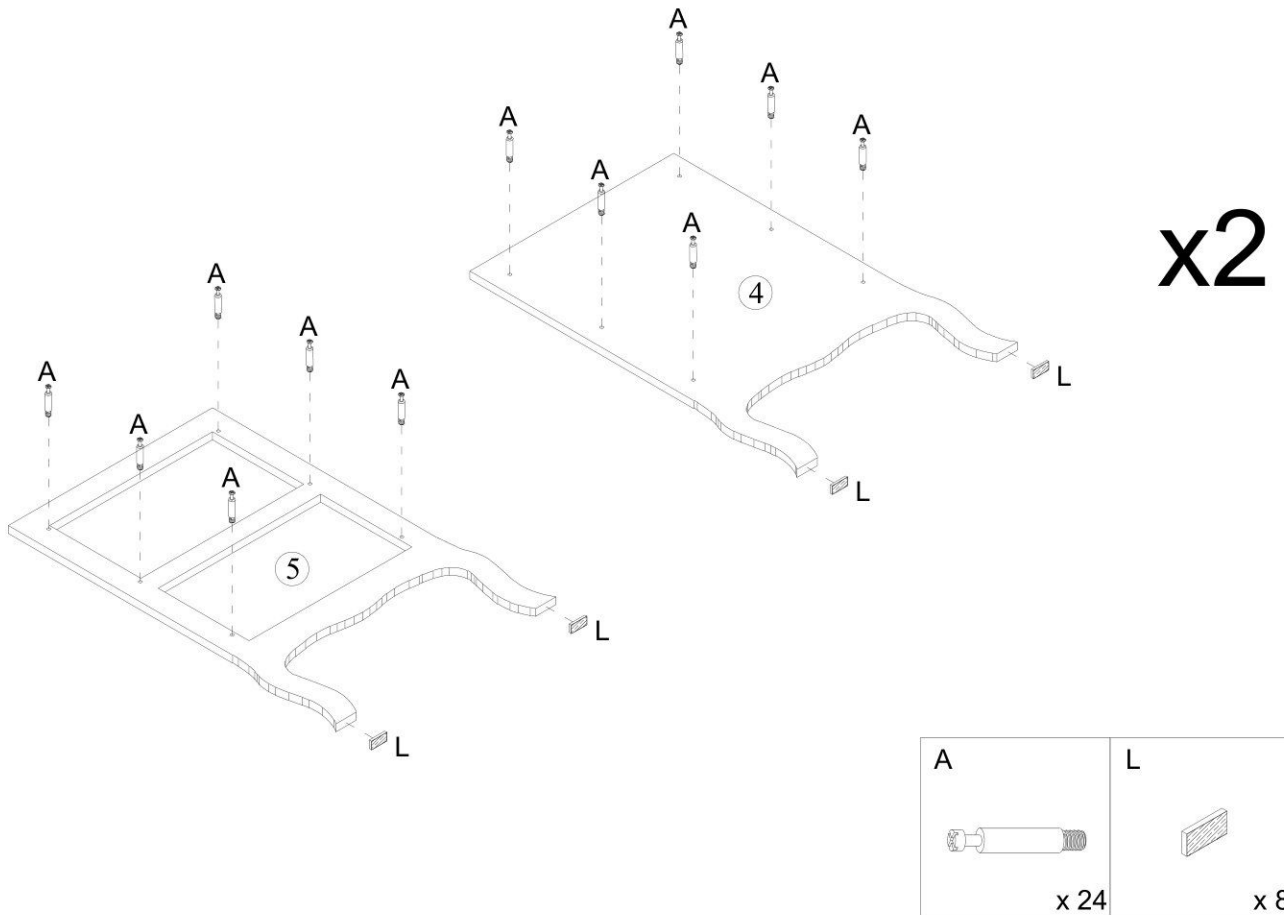
C  Φ6X30mm x 8+1	D  Φ4X35mm x 16+1	E  Φ3X12mm x 16+1	F  250x14x7 x 8	G  x 4
H  Φ4X10mm x 4	I  Φ11x13mm x 8	J J-1 J-2 J-3  Φ4X12mm x 2	K K-1 K-2 K-3  Φ4X45mm x 2	L  25X12X3mm x 8

1



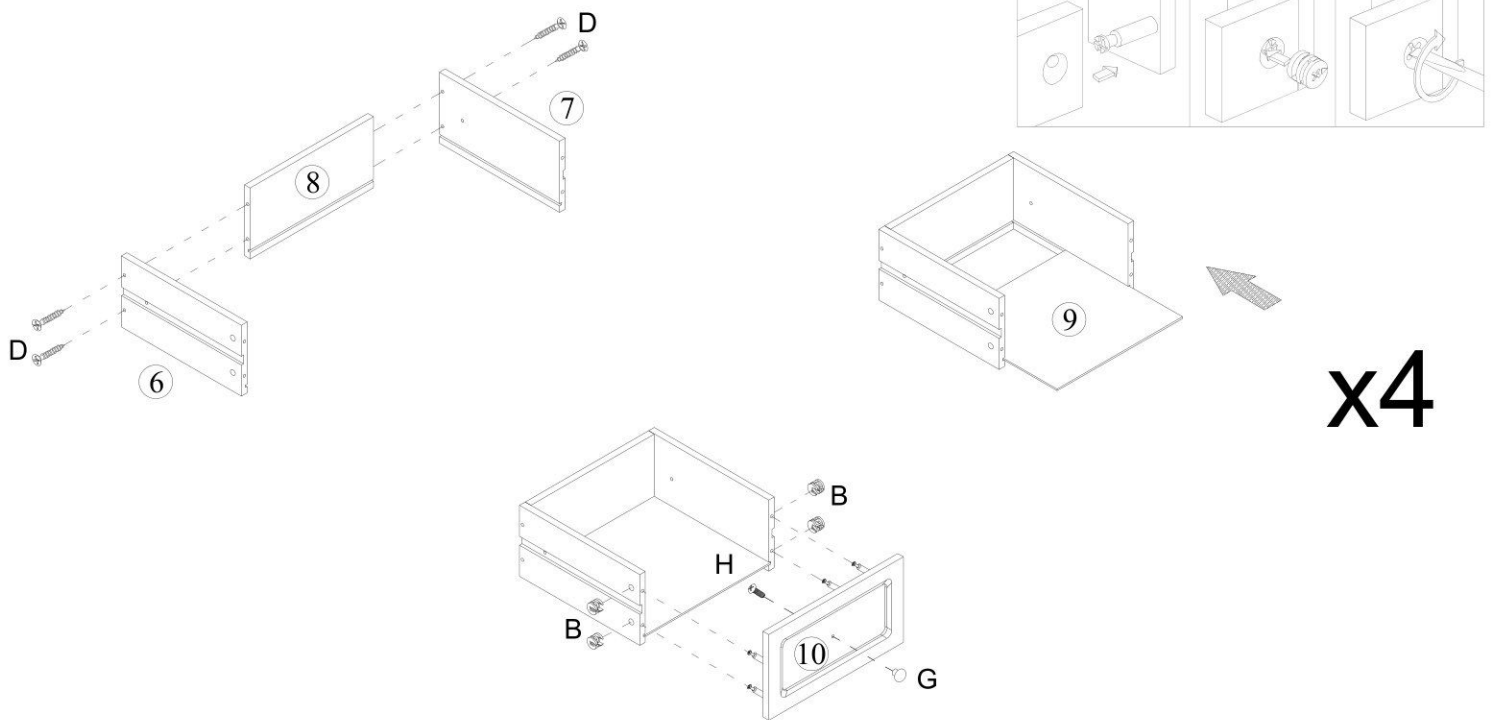
x2





2



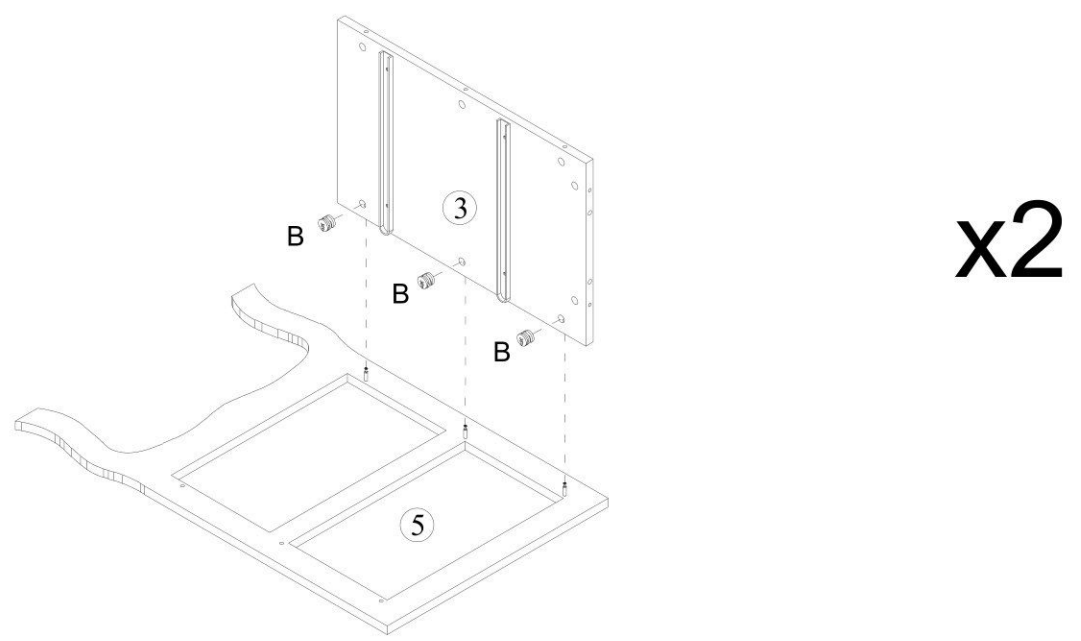
x2


3



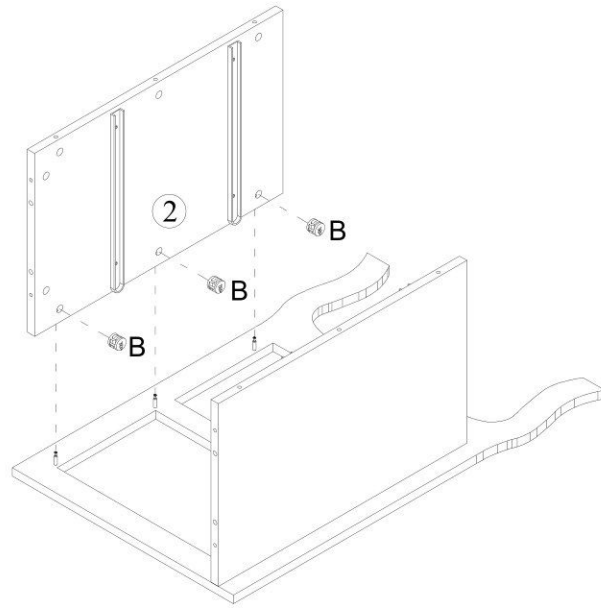
<p>B</p>  <p>x 16</p>	<p>D</p>  <p>x 16</p>	<p>G</p>  <p>x 4</p>	<p>H</p>  <p>x 4</p>
---	---	--	--

4



<p>B</p>  <p>x 6</p>

5



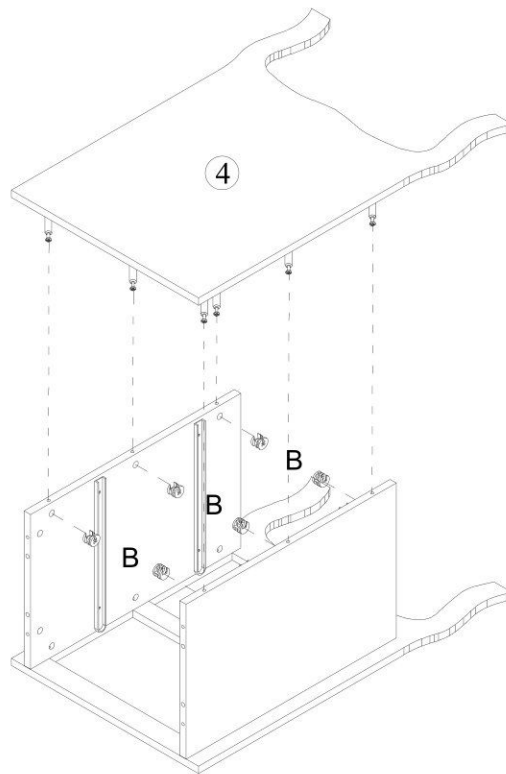
x2

B



x 6

6



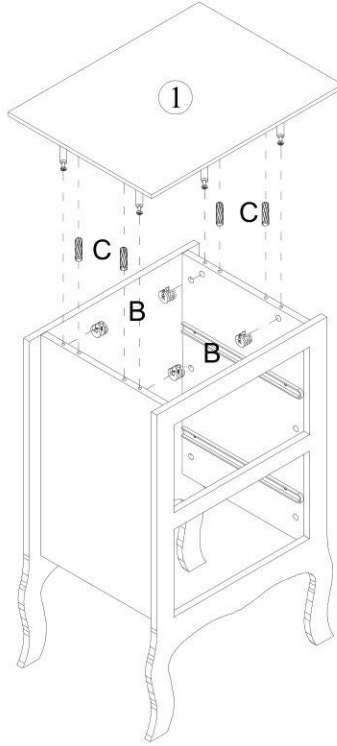
x2

B

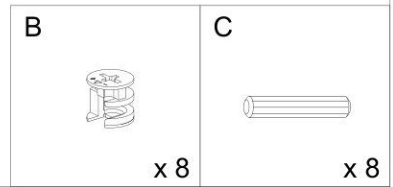


x 12

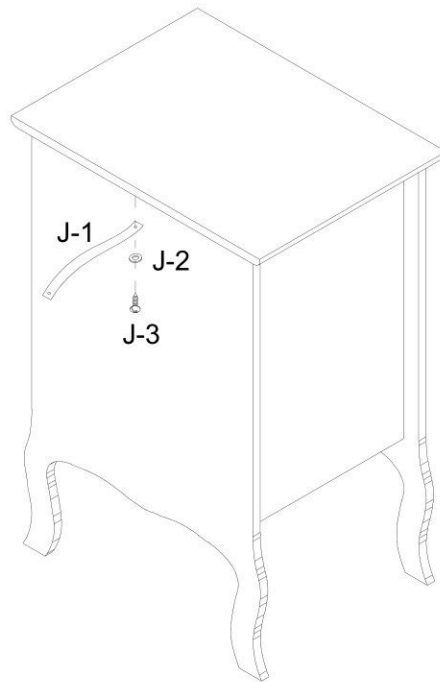
7



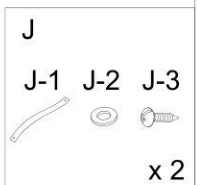
x2



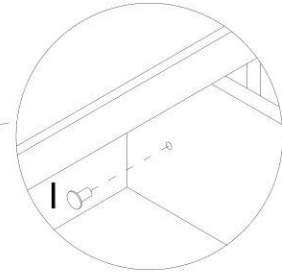
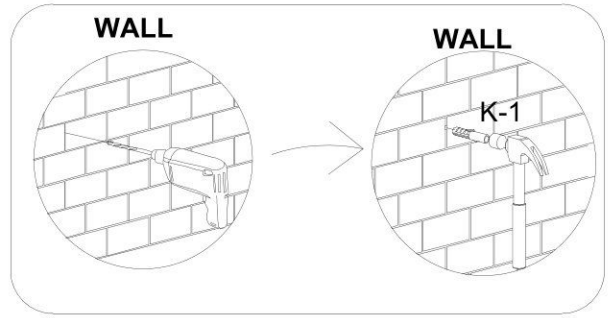
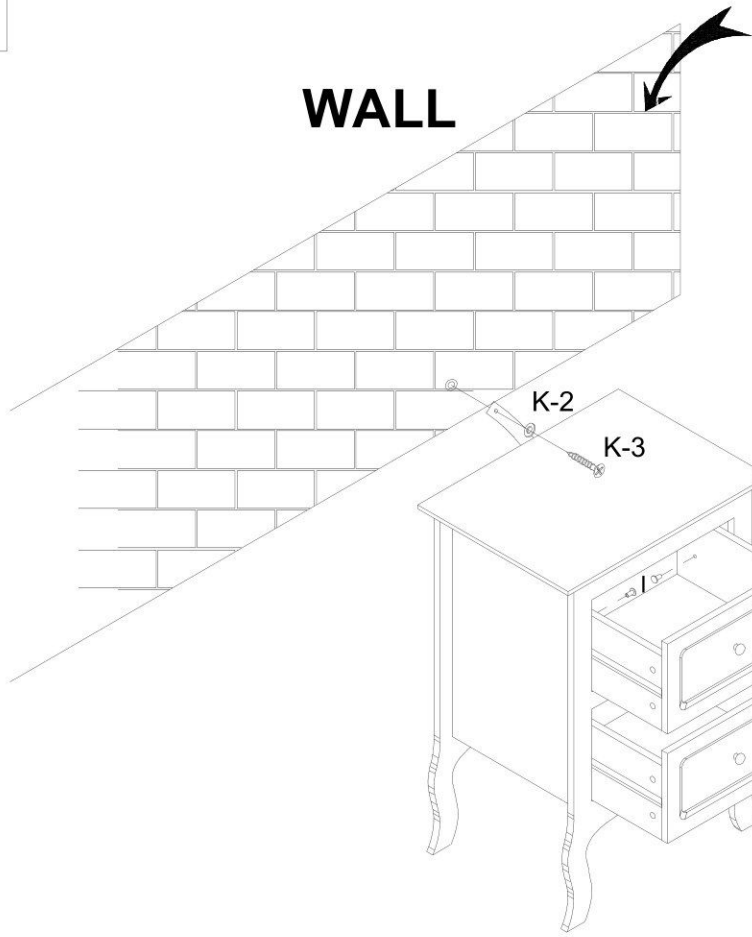
8





x2



9



x2

<p>I</p>  <p>x 8</p>	<p>K</p> <p>K-1 K-2 K-3</p>  <p>x 2</p>
---	--

10

