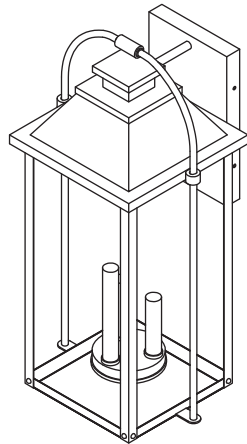


Instruction Manual

Outdoor Wall Sconce



HARDWARE CONTENTS(shown actual size)

AA



Short
mounting x 4
screw

BB



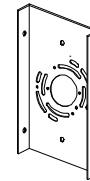
Wire nut x 3

CC



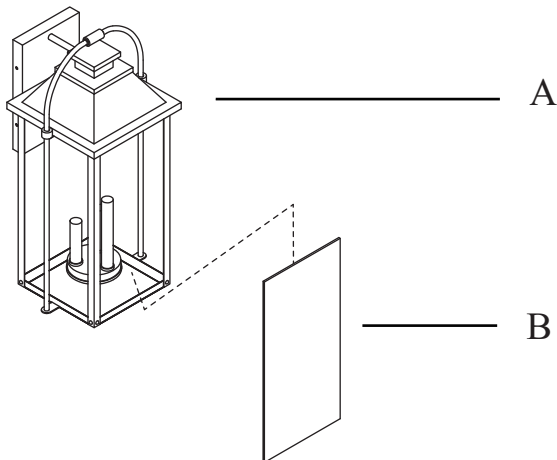
Long
mounting x 2
screw

DD



Mounting plate
(Not actual size) x 1

PACKAGE CONTENTS



PART	DESCRIPTION	QUANTITY
A	Fixture	1
B	Glass	4

! SAFETY INFORMATION

Please read and understand this entire manual before attempting to assemble, operate or install the product.

! WARNING

- TURN OFF ELECTRICITY at main fuse box (or circuit breaker box) before beginning installation by removing fuse (or switching off circuit breaker).
- MINIMUM 90°C SUPPLY CONDUCTORS.

PREPARATION

Before beginning assembly of product, make sure all parts are present. Compare parts with package contents list and hardware contents list. If any part is missing or damaged, do not attempt to assemble the product.

Estimated Assembly Times: 25 minutes

Tools Required for Assembly (not included): Flathead screwdriver , Phillips screwdriver, Pliers, Electrical tape, Wire cutters, Safety glasses.

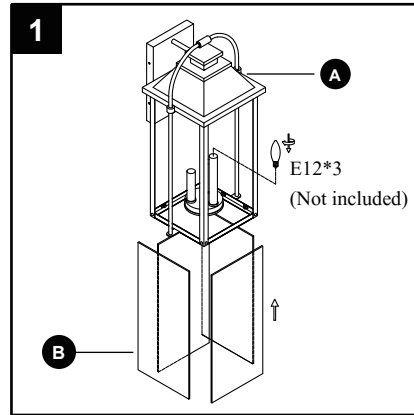
Helpful Tools (not included): Wire strippers, Step ladder.

ASSEMBLY INSTRUCTIONS

1. As shown in the figure on the right, attach the bulbs first, then attach the glasses into the fixture body.

Hardware Used

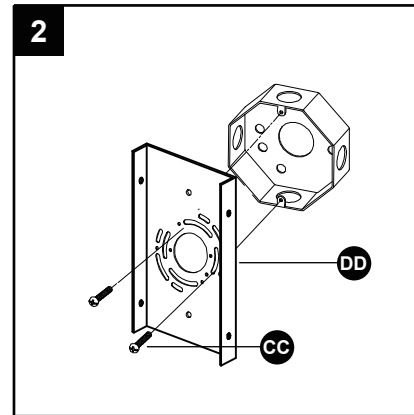
- A** Fixture x 1
- B** Glass x 4



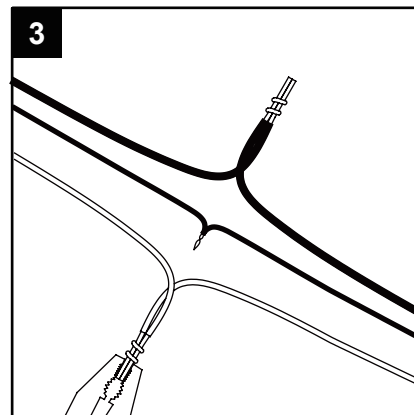
2. Attach the mounting plate (DD) to the outlet box (not included) with the long mounting screws (CC).

Hardware Used

- CC** Long mounting screw x 2
- DD** Mounting plate x 1



3. Strip 3/4 in. of insulation from wire ends. Twist stripped ends together with pliers (not included), black to black (power) and white to white (neutral). Attach copper wire to ground wire. Helpful hint: If necessary, attach copper ground wire to grounded outlet box.

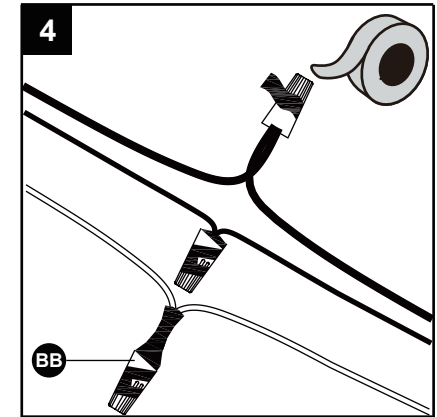


ASSEMBLY INSTRUCTIONS

4. Attach wire nuts (BB). Tape wire nuts (BB) and wires together.

Hardware Used

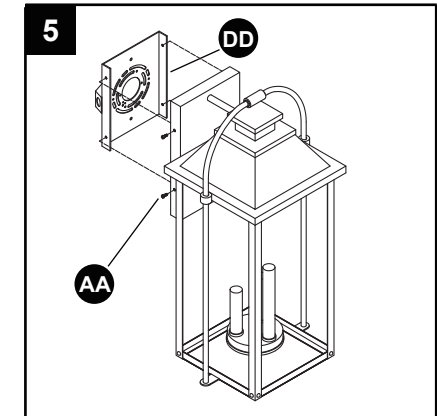
- BB** Wire nut x 3



5. Place fixture (A) onto the mounting plate (DD). Secure with short mounting screws (AA).

Hardware Used

- AA** Short mounting screw x 4
- DD** Mounting plate x 1



CAUTION: To avoid any waterproofing problems, please make sure the light fixture fits the mounting surface perfectly installation and use waterproof glue around the canopy for better sealing after installation.