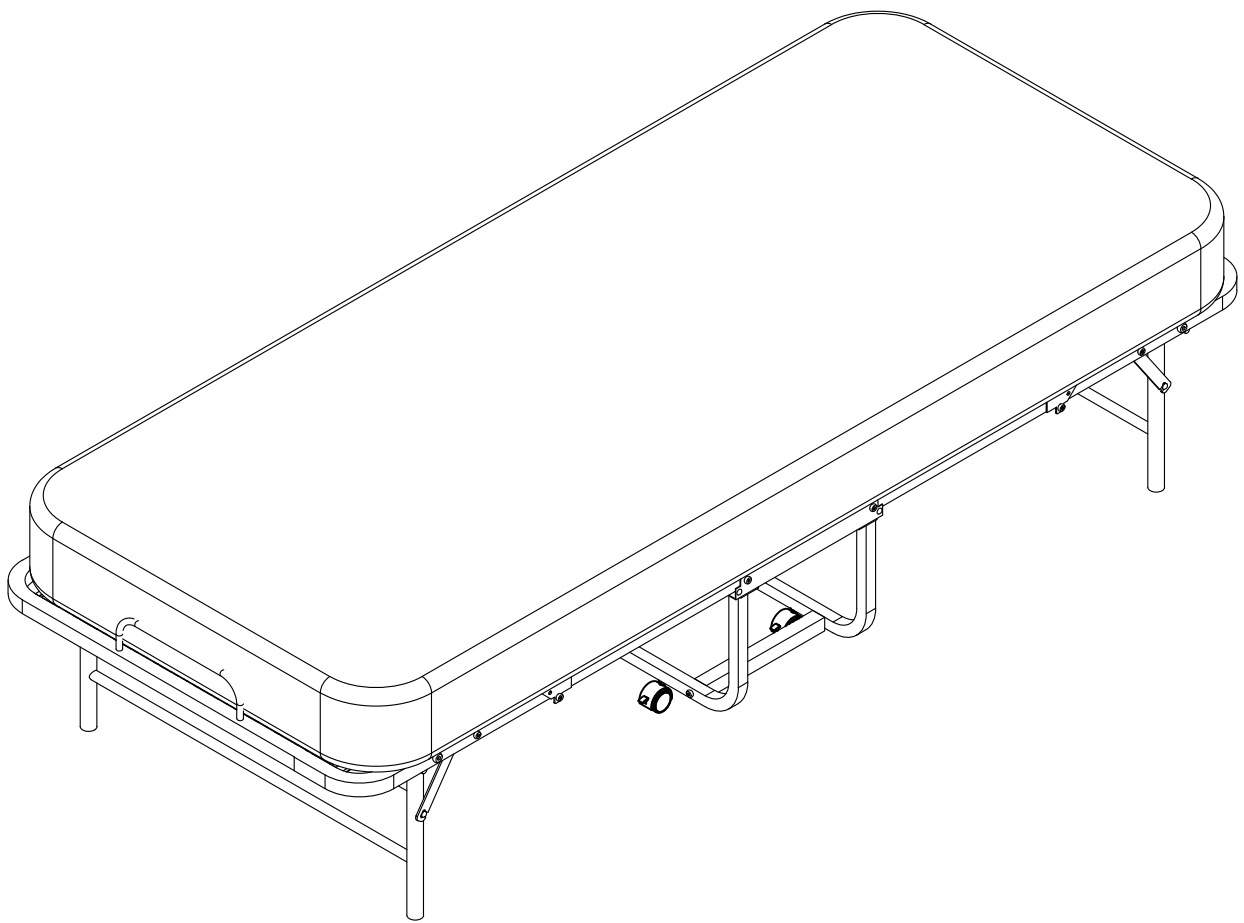
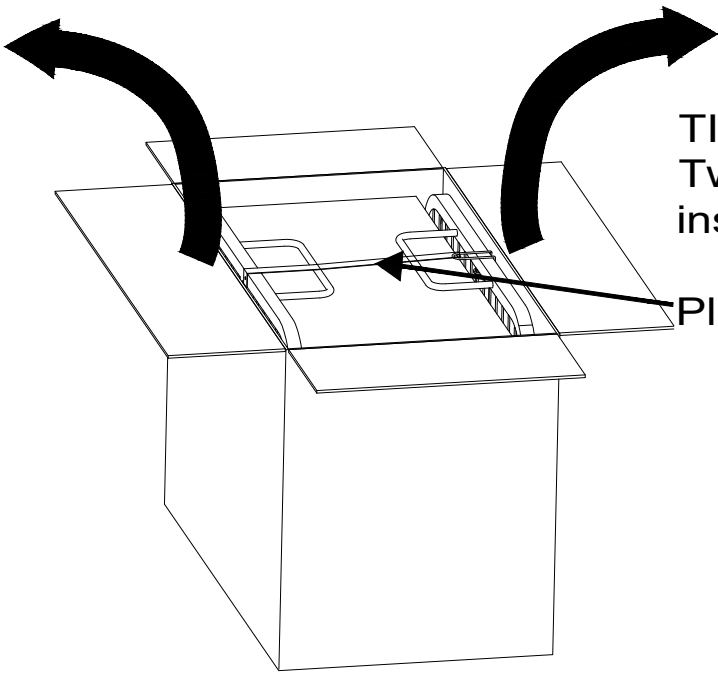


# ASSEMBLY INSTRUCTION

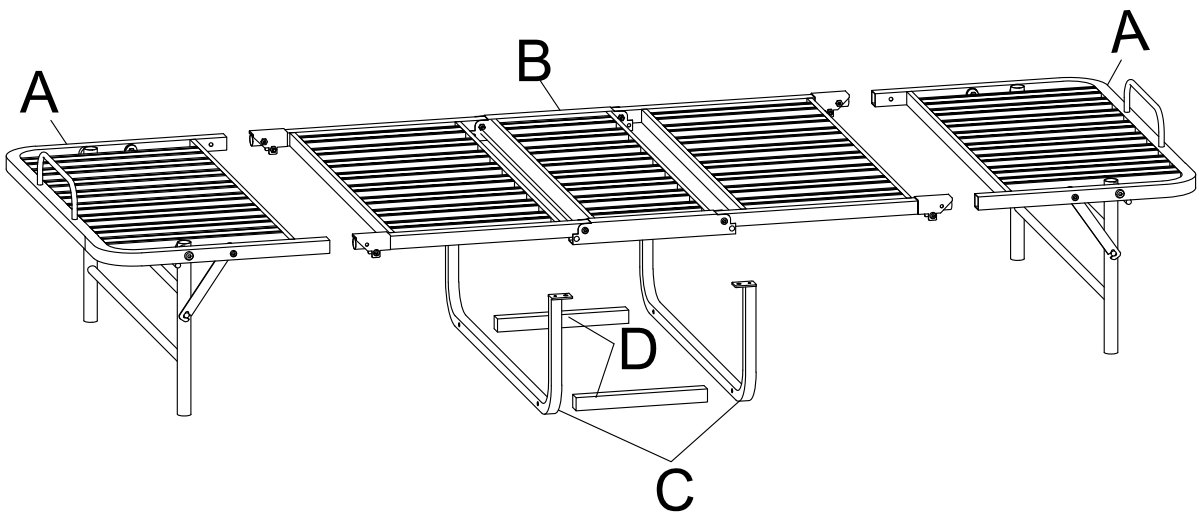
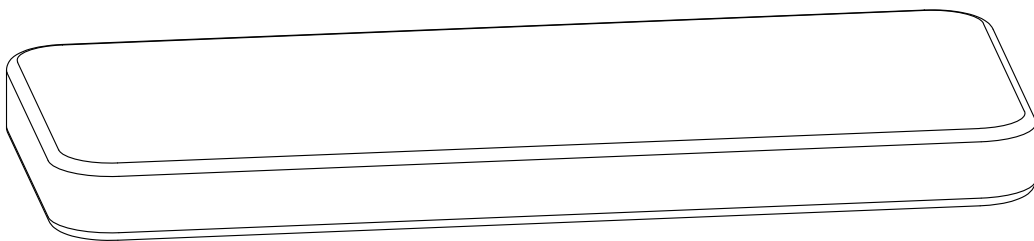
## Folding Bed





TIP :  
Two people are required to  
install the folding bed .

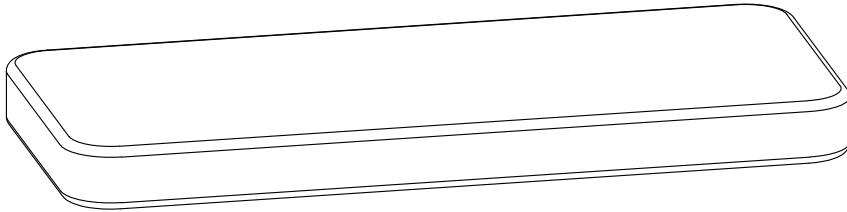
Please do NOT pull the strap .



# Part List

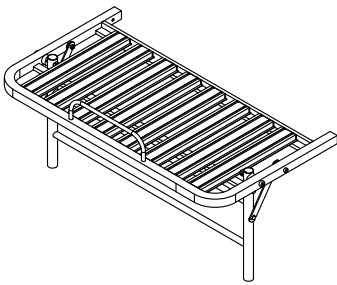
## Mattress

Open packing bag, leave the mattress to expand. Sometimes it only takes a few hours, but other times it can take up to 48 hours to fully expand.

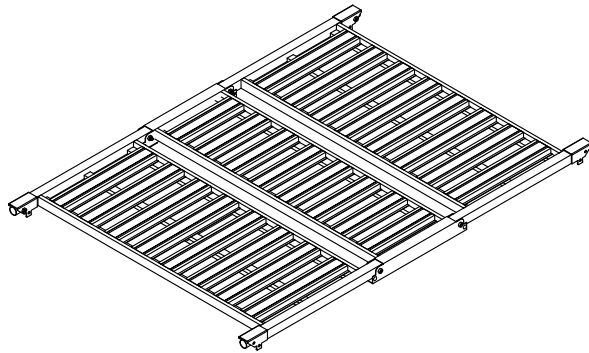


## Mattress recovery schedule

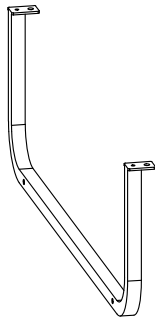
Recovery time	Recovery ratio
1 hour	90%
3 hours	94%
24 hours	97%
48 hours	98%



A x 2



B x 1

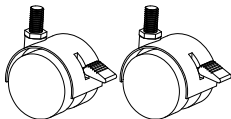


C x 2

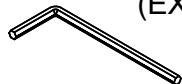


D x 2

① x 4



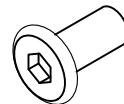
② x 1



(EXT)

5mm Allen Key  
(Used for tightening the wheels and special screws.)

③ x 4

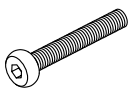


④ x 8



M6x12

⑤ x 4



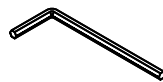
M6x35

⑥ x 1



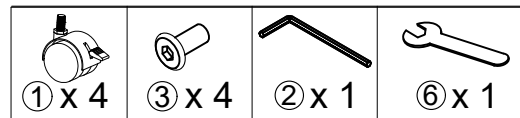
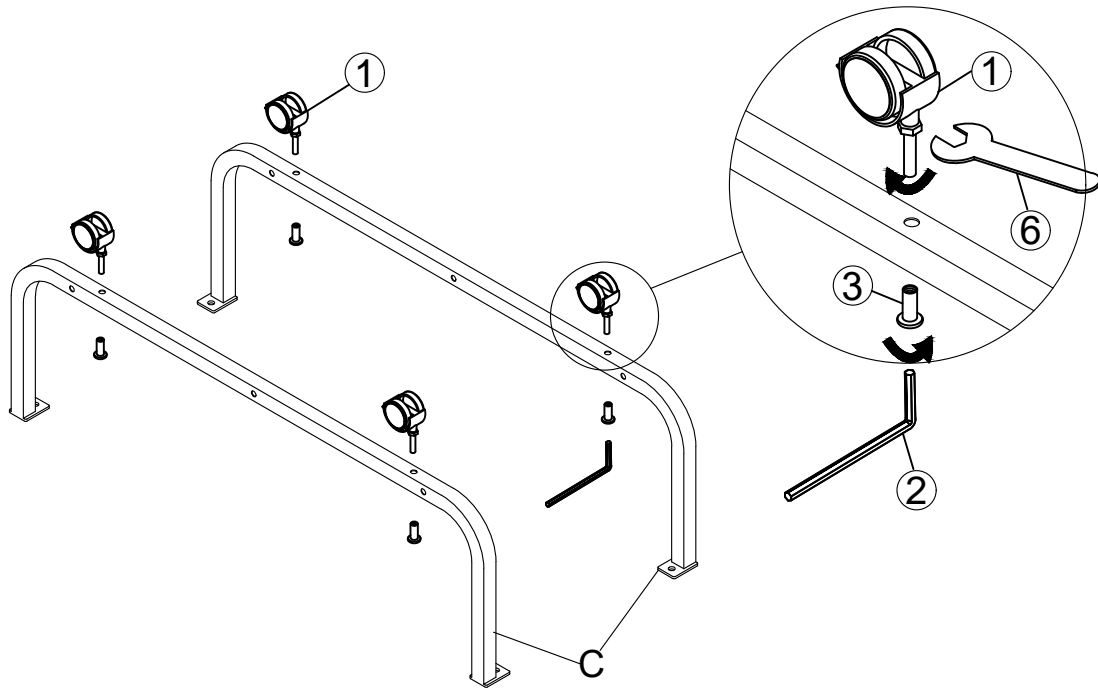
13#

⑦ x 1



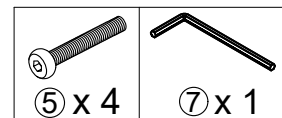
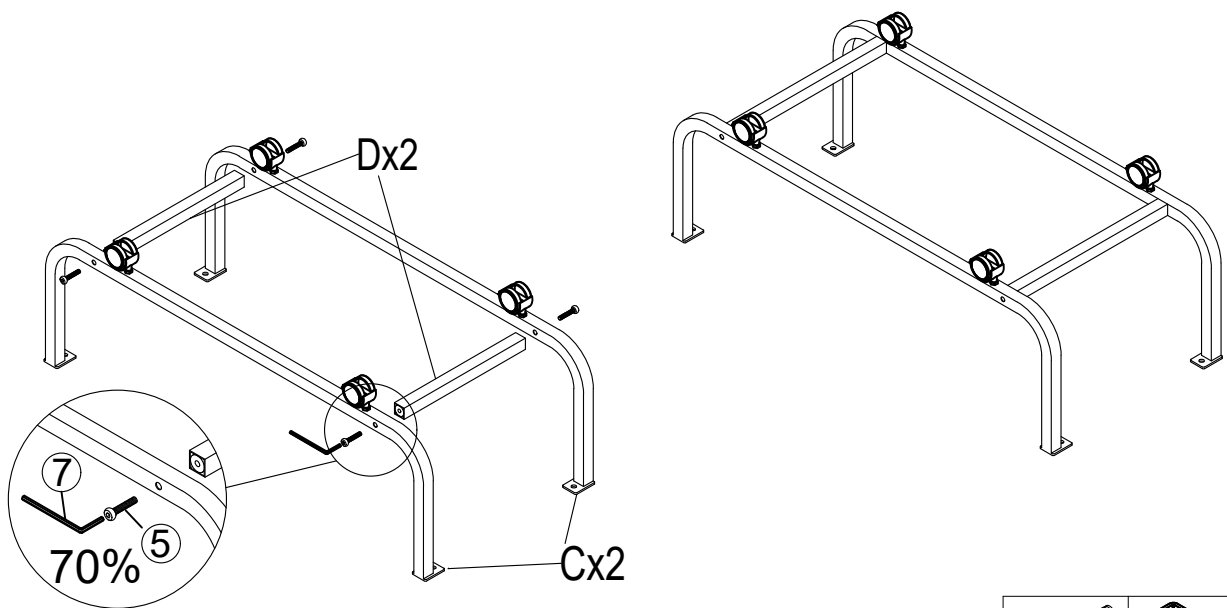
4mm Allen Key

# Step 1

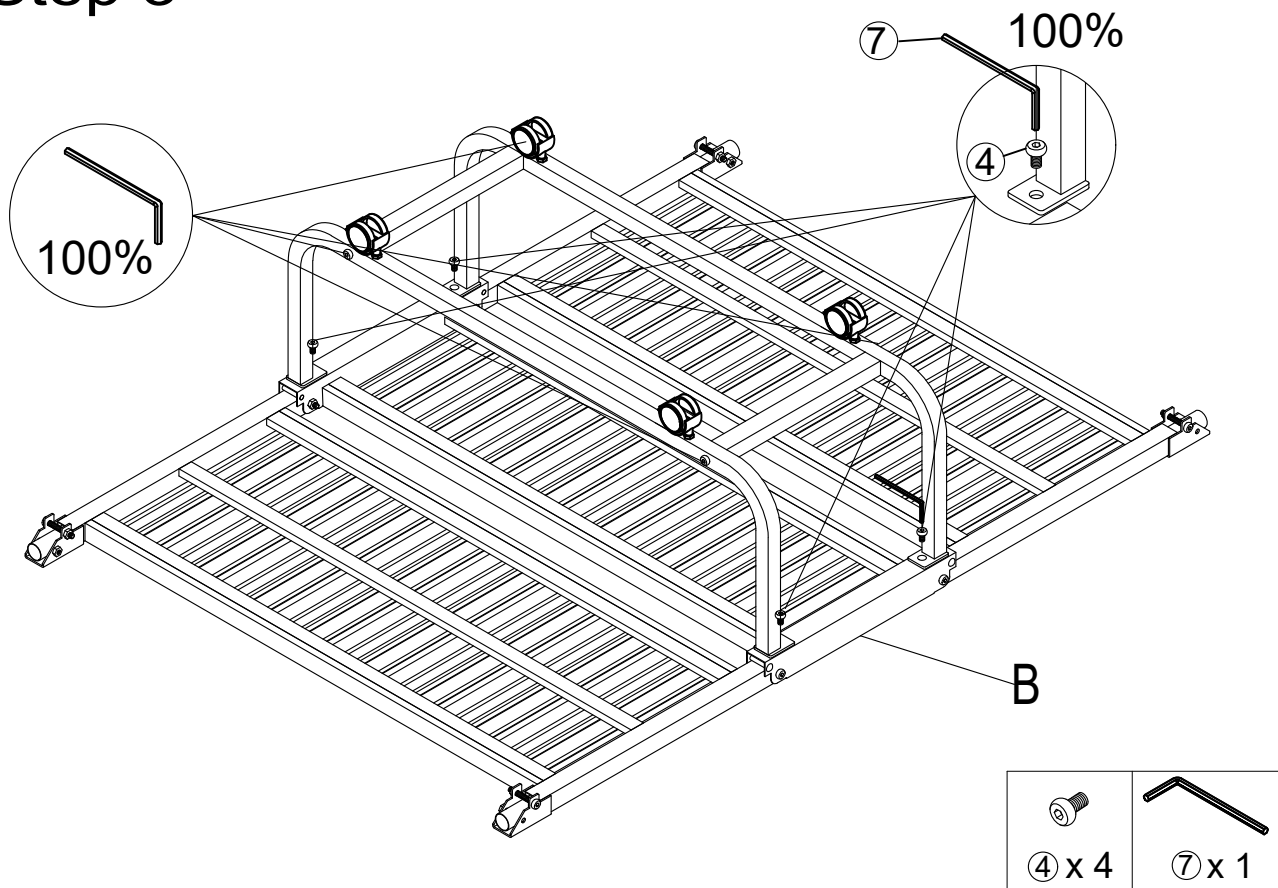


# Step 2

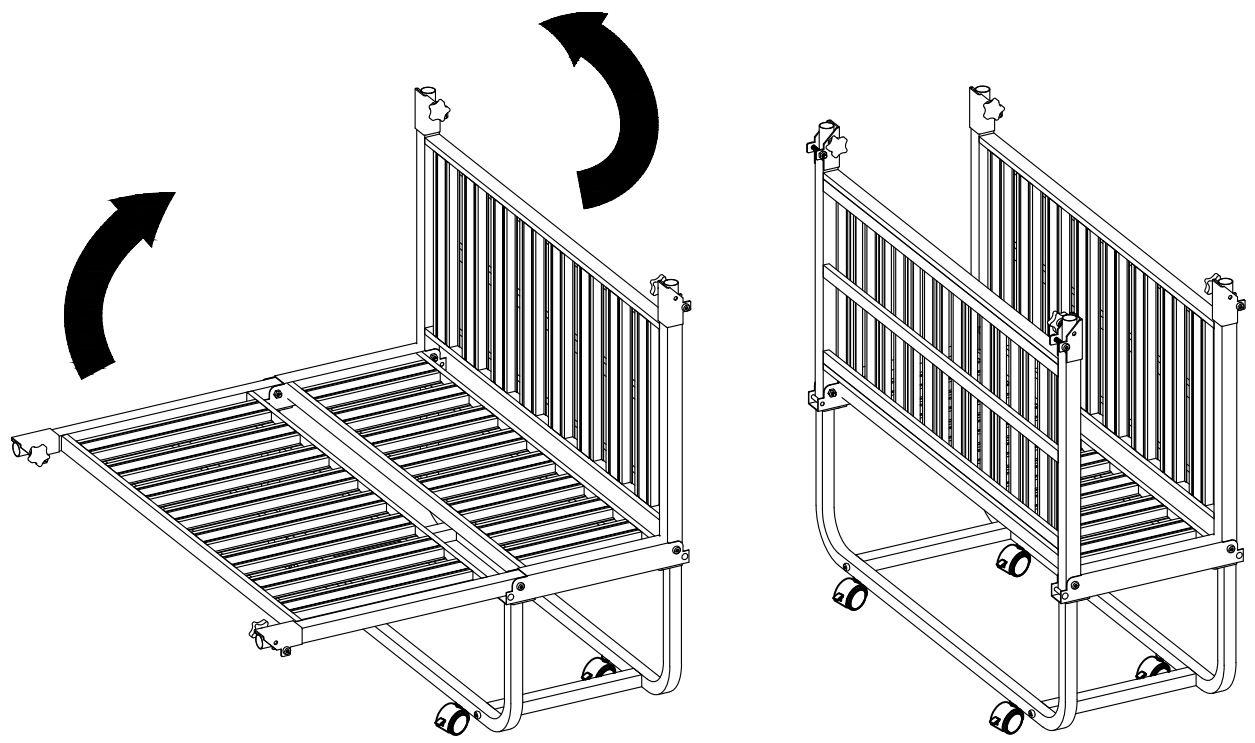
Note: Please don't tighten the screws in Step 1, after aligning all of the holes on the frame(Step 2), then tighten all the screws.



# Step 3

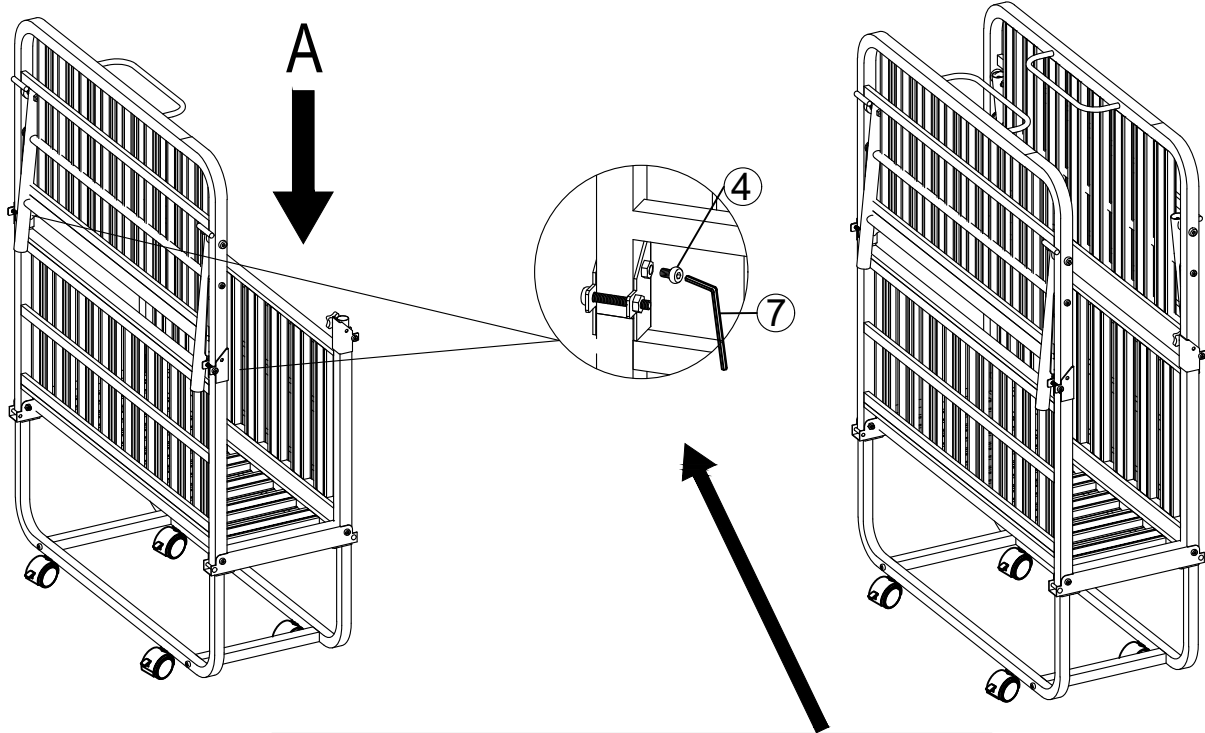


# Step 4



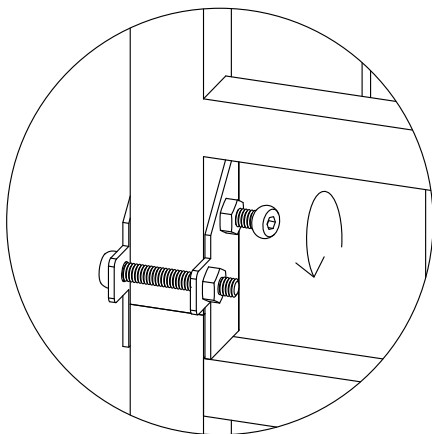
# Step 5

When installing part A , please insert it as far as it can , and tighten the screws as below enlarged image .

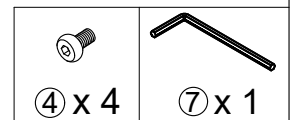
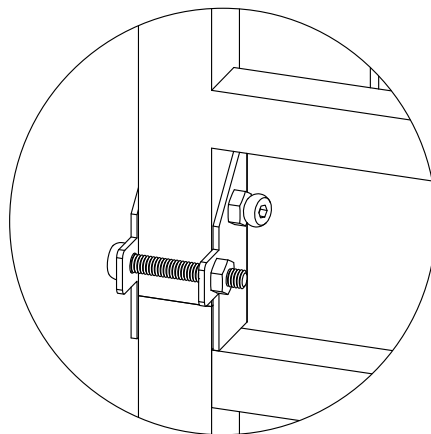


If part A can't be inserted successfully, please loosen the bolt as shown in the picture.

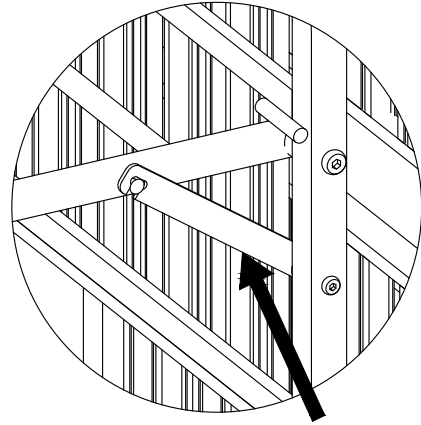
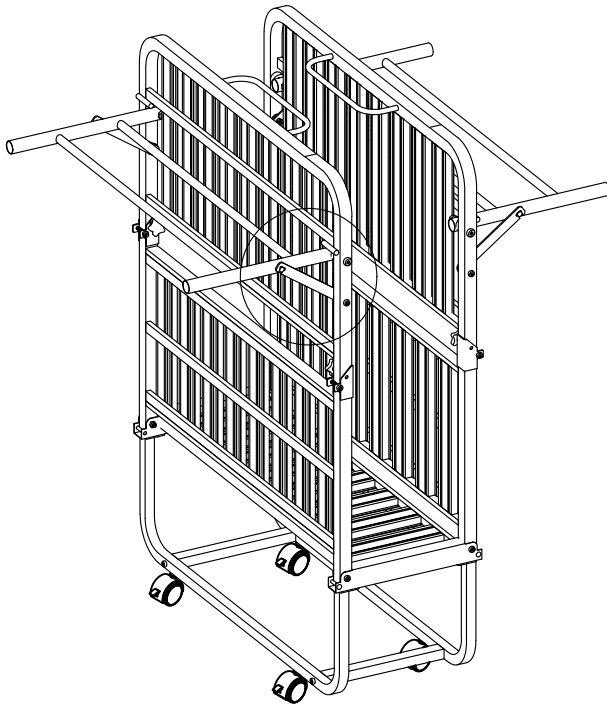
I



II



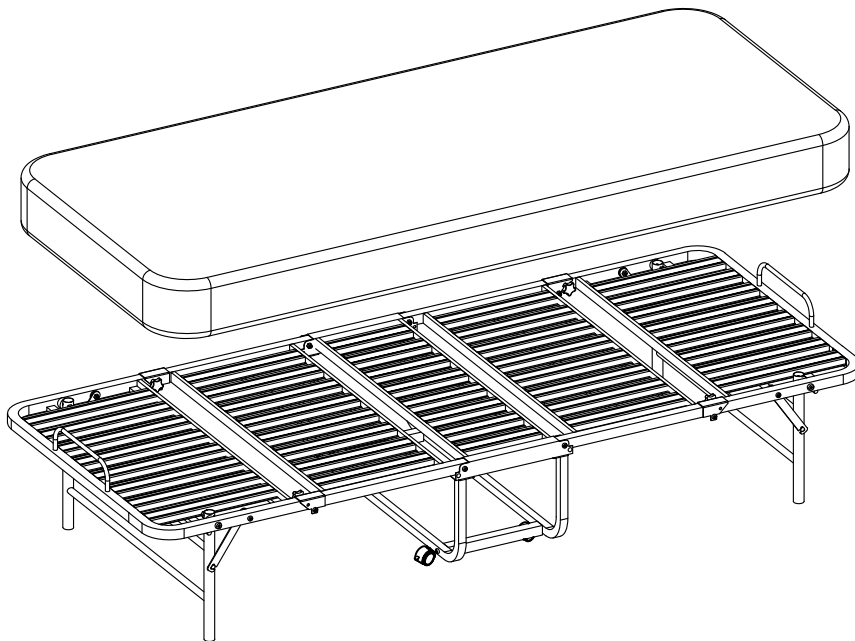
## Step 6



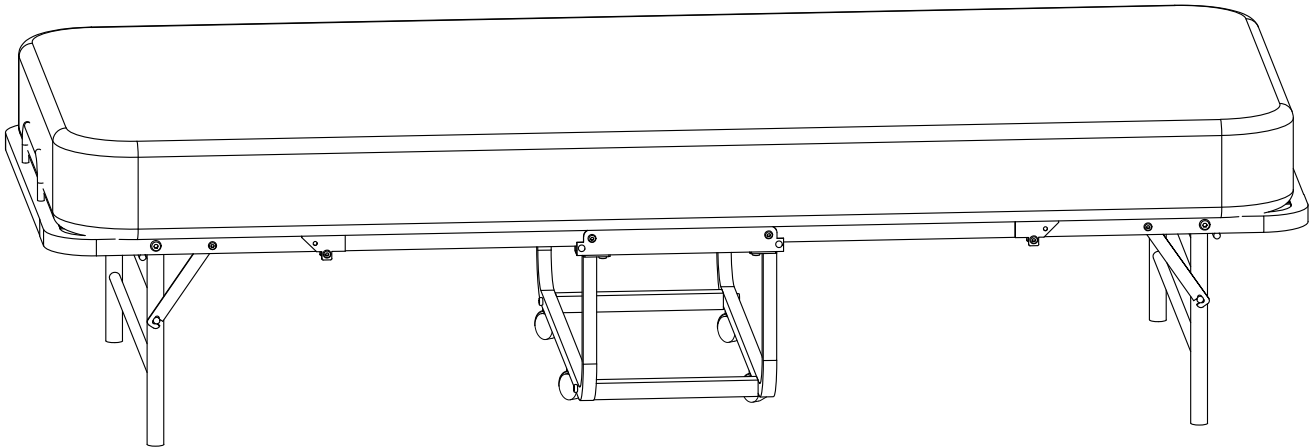
 **CAUTION**

This step is necessary .  
Otherwise it will cause component  
deformation .

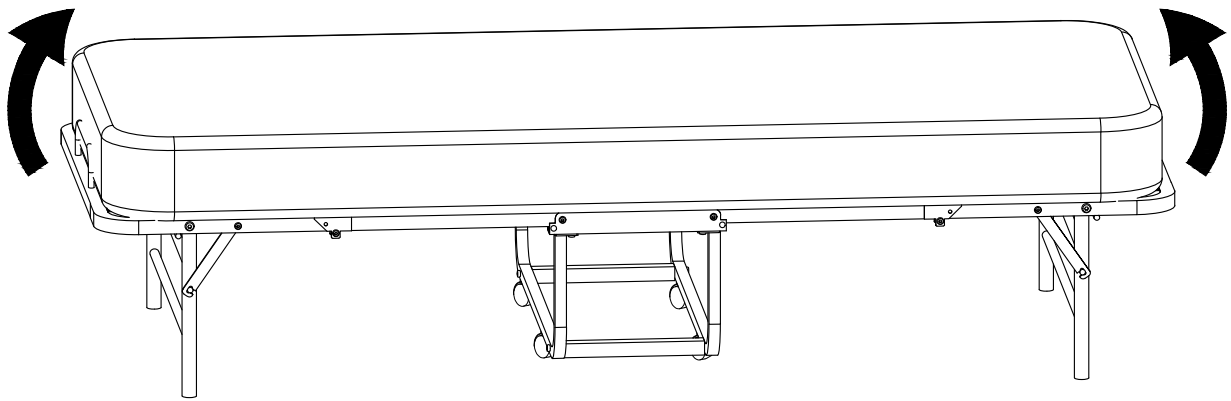
## Step 7



## Step 8



## Step 9



When moving the folding bed ,  
please do NOT pull the strap .

