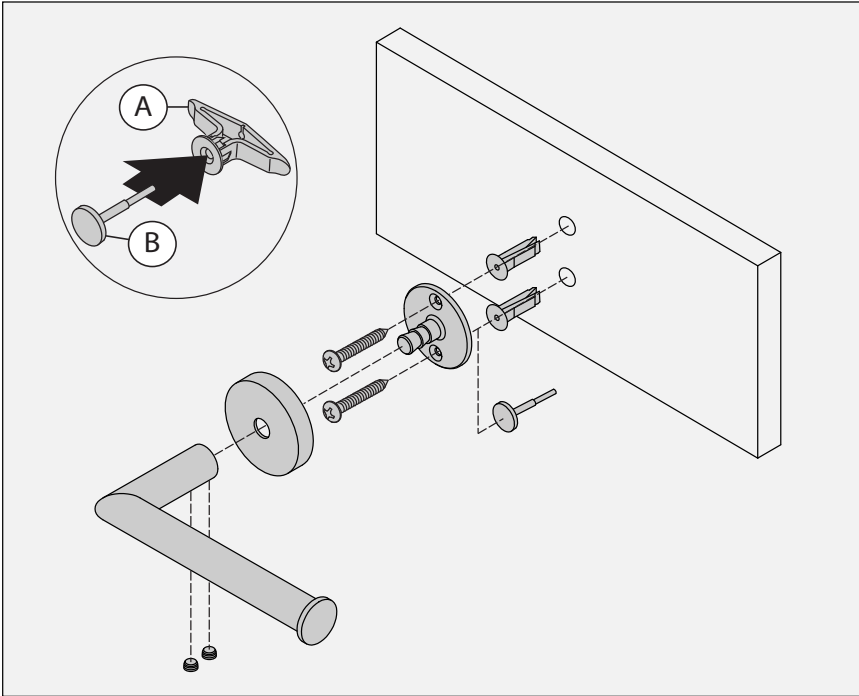

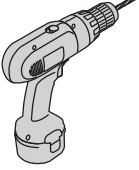


## Parts Breakdown



**Note:** For dry wall 1/2" thick or less, insert anchor tool (B) into drywall anchor (A) to secure behind wall prior to installing trim.

### Tools Required for Installation

Allen Wrench 3/32"	
Drill	
Phillips Head Screwdriver	