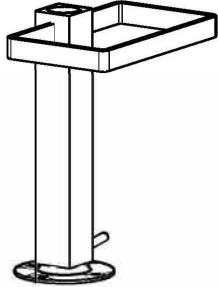


Product Assembly Instructions



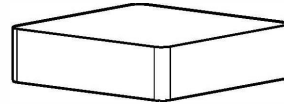
A: gas spring x1



B: Footrest x1



C: Bottom plate x1



D: seat x1

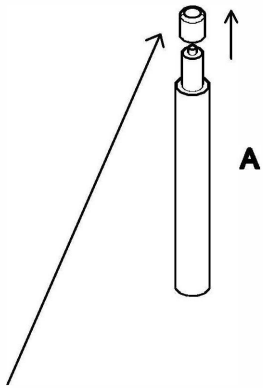
E: Washer x4

F: Allen wrench x2

G: Bolt M6*18mm x4

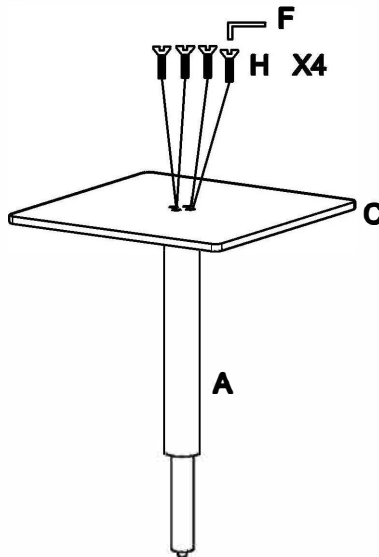
H: Bolt M6*25mm x4

STEP 1

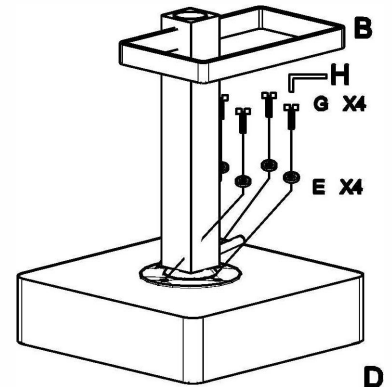


IMPORTANT:
remove black
cap before assembling

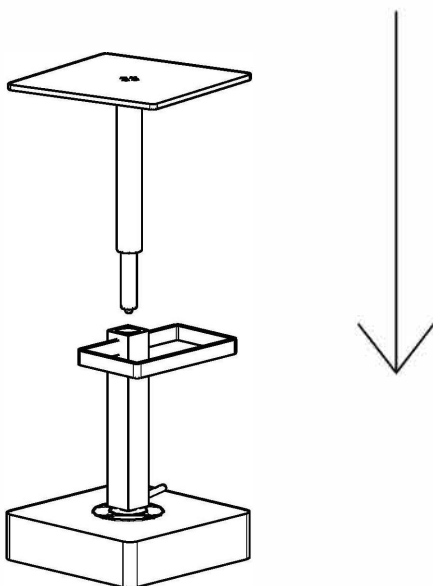
STEP 2



STEP 3



STEP 4



STEP 5

