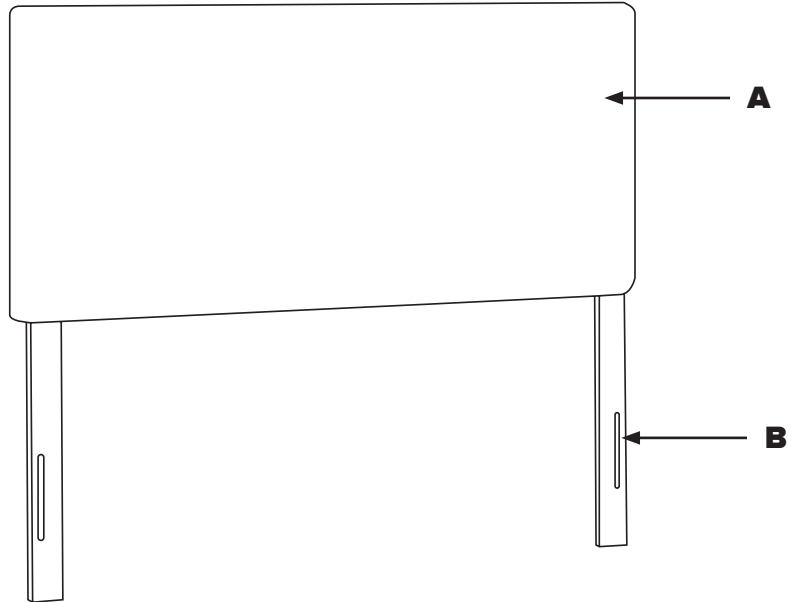


# STANDARD HEADBOARD ASSEMBLY

## COMPONENTS

ITEM	DESCRIPTION	QTY
<b>A</b>	Headboard	1
<b>B</b>	Headboard Leg	2

*Please note: actual headboard may look different than illustration.*



## HEADBOARD HARDWARE



**(H1)** x 4  
5/8" x 5/16" bolt



**(H2)** x 12  
1 1/4" washer



**(H3)** x 4  
1 x 1/4" bolt



**(H4)** x 4  
1/4" nuts

*Please note: you will need a flat head screwdriver and a wrench to assemble your headboard.*

### LIMITED WARRANTY

We guarantee its upholstered furniture against defects in construction for a period of one (1) year. When a structural defect is brought to our attention, we will repair or replace it at our option at no charge to the customer (includes parts and labor, not transportation costs). Fabric wear ability for upholstered furniture is not covered by the warranty. Vacuum for regular cleaning.

PLEASE DISPOSE OF PLASTIC BAG(S) AND CARTON(S) RESPONSIBLY.

### LIMITE DE GARANTIA

Garantizamos sus muebles tapizados contra defectos de construcción por un período de un (1) año. Cuando se nos informa sobre un defecto estructural, lo repararemos o reemplazaremos a nuestra opción sin cargo para el cliente (incluye piezas y mano de obra, no costos de transporte). Capacidad de desgaste de la tela para muebles tapizados no está cubierto por la garantía. Aspire para una limpieza regular.

DESECHE LA (S) BOLSA (S) Y CARTÓN (S) DE PLÁSTICO RESPONSABLEMENTE.

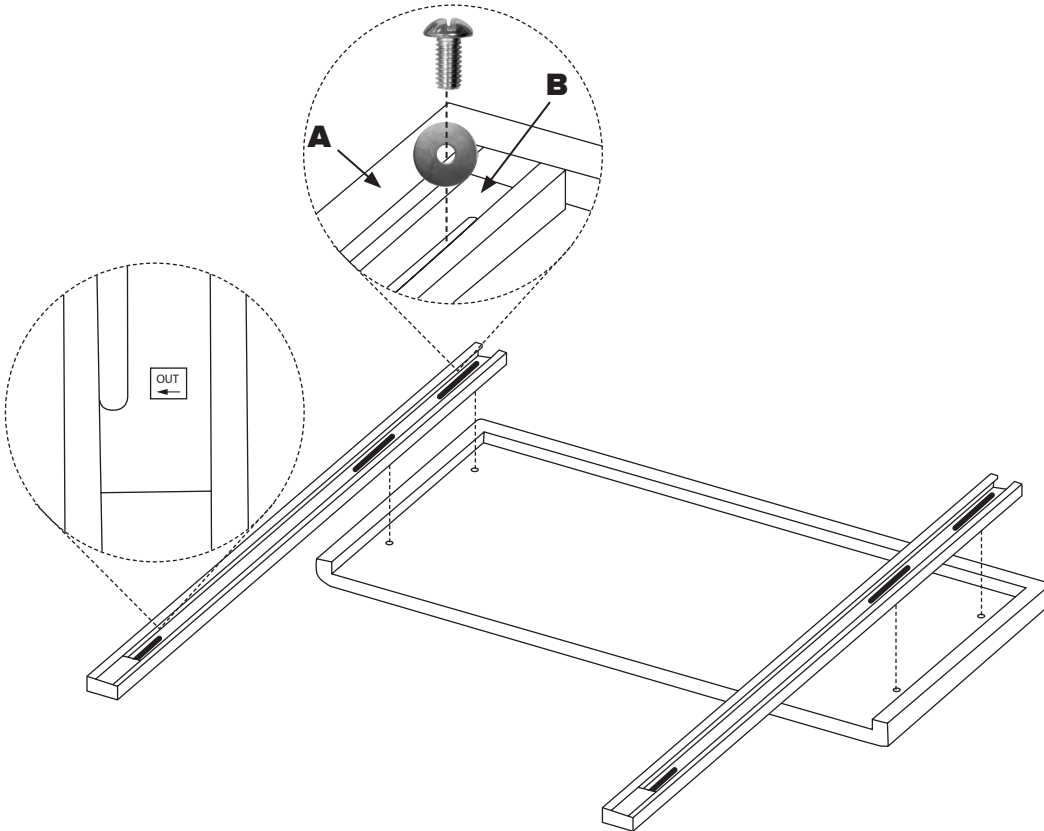
### GARANTIE LIMITÉE

Nous garantissons ses meubles rembourrés contre les défauts de construction pendant une période d'un (1) an. Lorsqu'un défaut structurel est porté à notre attention, nous le réparerons ou le remplacerons à notre discrétion sans frais pour le client (comprend les pièces et la main-d'œuvre, pas les frais de transport). Capacité d'usure du tissu pour les meubles rembourrés n'est pas couvert par la garantie. Aspireur pour un nettoyage régulier.

VEUILLEZ JETER LES SACS EN PLASTIQUE ET LE (S) CARTON (S) DE FAÇON RESPONSABLE

# STANDARD HEADBOARD ASSEMBLY

## STEP 1 - ATTACHING THE HEADBOARD LEGS



### 1.1

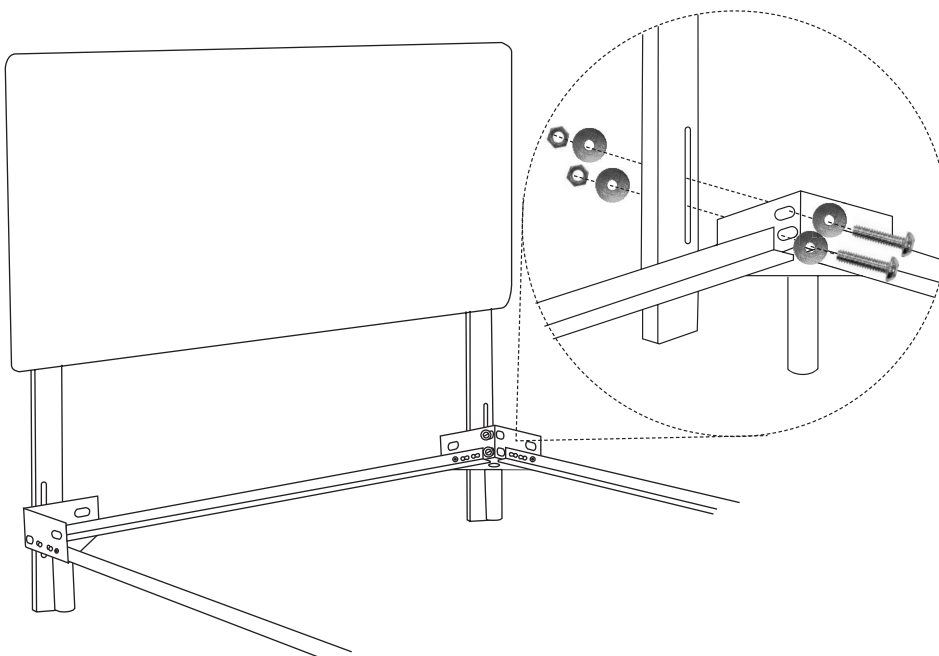
Place (A) headboard face down on a flat surface. Place (B) headboard legs on the back of (A) headboard, aligning the slots of the legs with the holes of the headboard.

*Please note: Make sure the “Out” sticker on each (B) headboard leg is facing the correct way.*

### 1.2

Attach (B) headboard legs to (A) headboard using (H1) bolts and (H2) washers. Tighten with a flat head screwdriver.

## STEP 2 - ATTACHING THE HEADBOARD TO YOUR BED FRAME



### 2.1

Attach the assembled headboard to your bedframe using (H3) bolts, (H2) washers and (H4) nuts. Tighten with a flat head screwdriver and wrench.

*Please note: The height of your headboard can be adjusted by loosening the (H1) bolts and shifting the (A) headboard up or down.*

