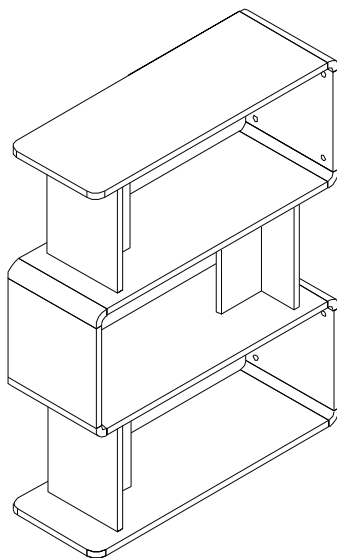


ASSEMBLY INSTRUCTIONS

BOOKCASE




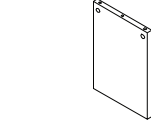
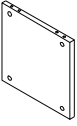
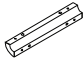



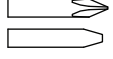


NOTE TO CUSTOMERS:

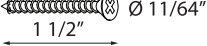


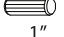


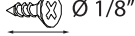

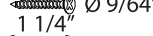

- For ease and speed of assembly we recommend that before you commence each step of the assembly that you identify all the parts required to complete that step.
- We recommend that where possible you allow sufficient space to assemble the item as close as possible to the place where it will be once assembled.
- For the protection of your furniture we recommend that the product is placed on a dry, soft, smooth and clean surfaces during assembly to prevent any damage. Avoid damp and direct sunlight.
- During assembly do not over tighten the screws or bolts, as this may damage the product.
- Please ensure you retain all the product packaging until the item is completely assembled.
- Periodically check all fitting and re-tighten as necessary.
- Never allow any liquids to remain on your furniture as absorption can cause the wood to warp or finish to de-laminate.
- It is recommended that this item should be assembled by two adults.

ASSEMBLY INSTRUCTIONS

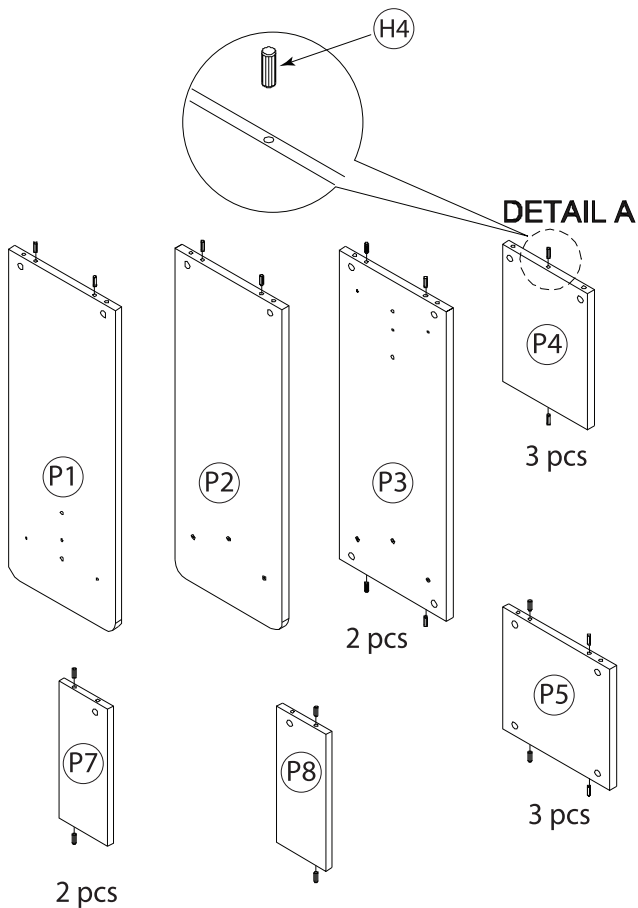
PARTS IDENTIFICATION

P1 Quantity: 1 	P2 Quantity: 1 	P3 Quantity: 2 	P4 Quantity: 3 	P5 Quantity: 3 
Top Shelf	Base Panel	Middle Shelf Panel	Vertical Panel	Side Panel
P6 Quantity: 6 	P7 Quantity: 2 	P8 Quantity: 1 	Tools required:  MALLET  HOUSEHOLD SCREWDRIVER	
Corner Connector	Right Support Panel	Left Support Panel		

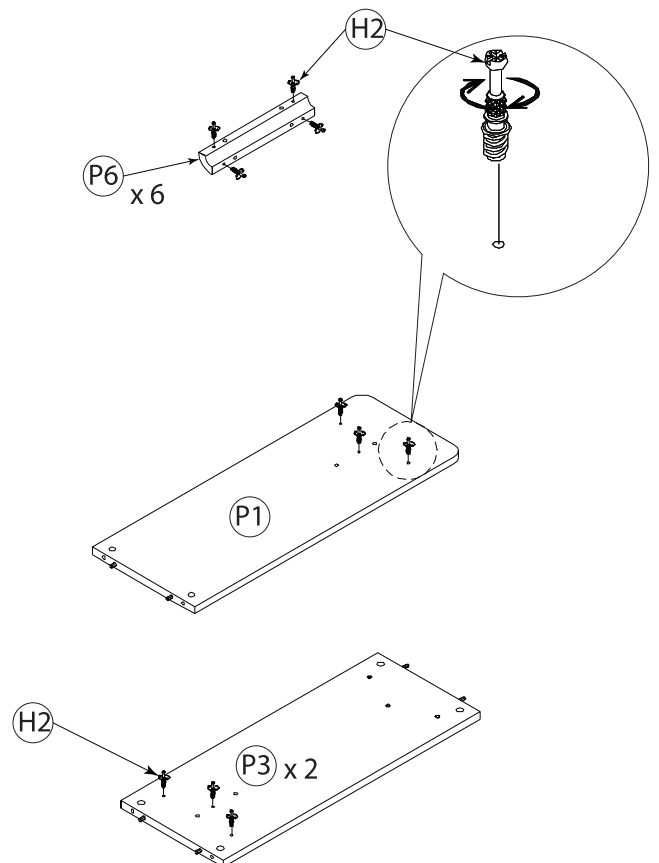
HARDWARE LIST

H1 Screw #9 x 1 1/2"  Ø 11/64" 1 1/2" Quantity: 9 pcs	H2 Connecting Bolts  Quantity: 33 pcs	H3 Cam Lock 15 x 12.5mm  Quantity: 33 pcs	H4 Wooden Dowel M8 x 25  Ø 5/16" 1" Quantity: 36 pcs	H5 Sticker  Quantity: 33 pcs
H6 Leg Stud  Quantity: 6 pcs	H7 Screw for anti-tip M3.5 x 16  Ø 1/8" 5/8" Quantity: 1 pc	H8 Anti-tip web strip  Quantity: 1 pc	H9 Screw for mount to wall #6 x 1 1/4"  Ø 9/64" 1 1/4" Quantity: 1 pc	H10 Wall plug for Screw H9  Quantity: 1 pc

STEP 1 Insert wooden dowels (H4) into the following parts, Use a mallet to knock the dowels until they are snug in the hole.

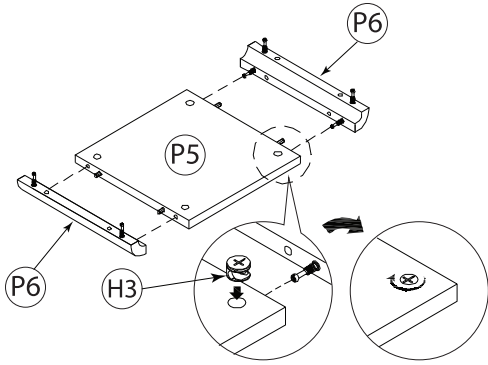


STEP 2 Align the Connecting Bolt (H2), use a household Philip Screwdriver to drive the bolt until it is snug.



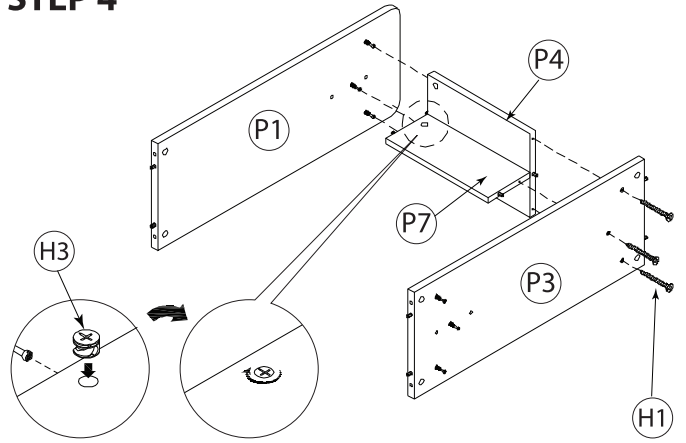
ASSEMBLY INSTRUCTIONS

STEP 3 Attach the Corner Connector (P6) to both ends of the Panel (P5). Repeat the assembly for another two similar parts.



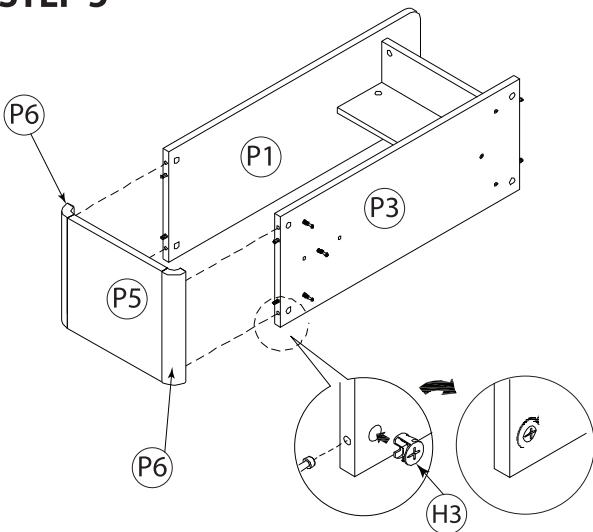
Align the Camlock (H3) & use a screwdriver to turn it to locked position when it is connected to the bolt.

STEP 4



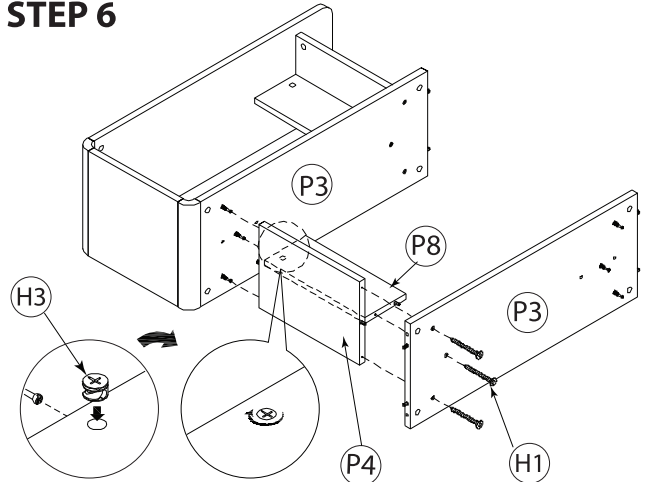
Align the Camlock (H3) & use a screwdriver to turn it to locked position when it is connected to the bolt.

STEP 5



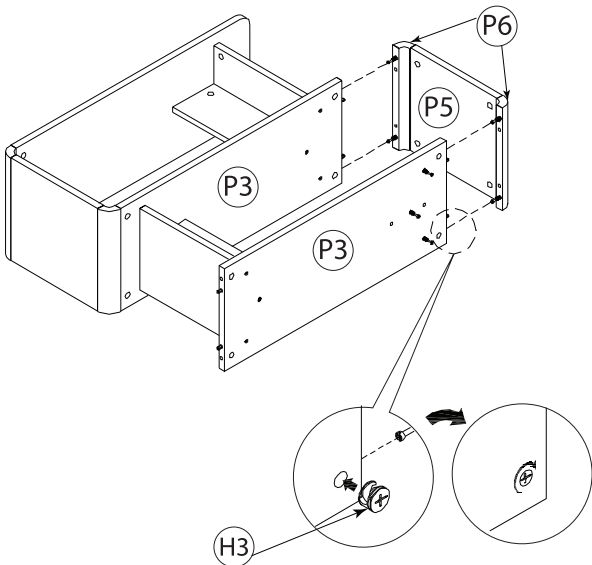
Align the Camlock (H3) & use a screwdriver to turn it to locked position when it is connected to the bolt.

STEP 6



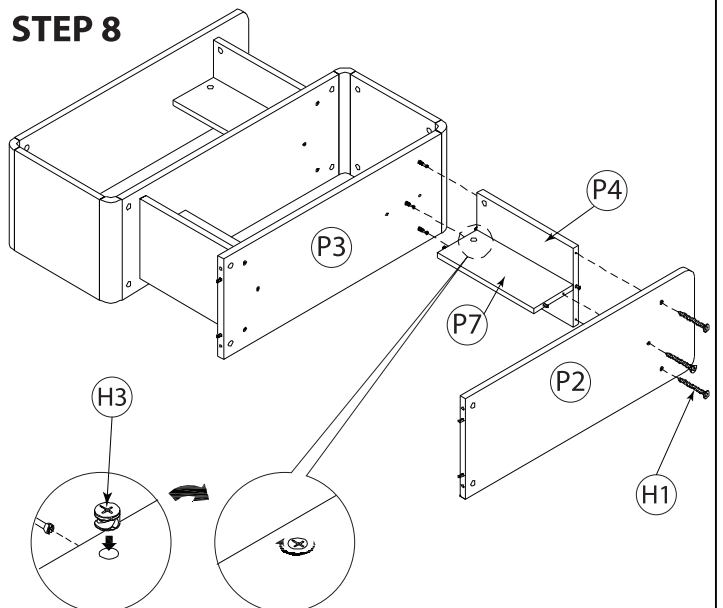
Align the Camlock (H3) & use a screwdriver to turn it to locked position when it is connected to the bolt.

STEP 7



Align the Camlock (H3) & use a screwdriver to turn it to locked position when it is connected to the bolt.

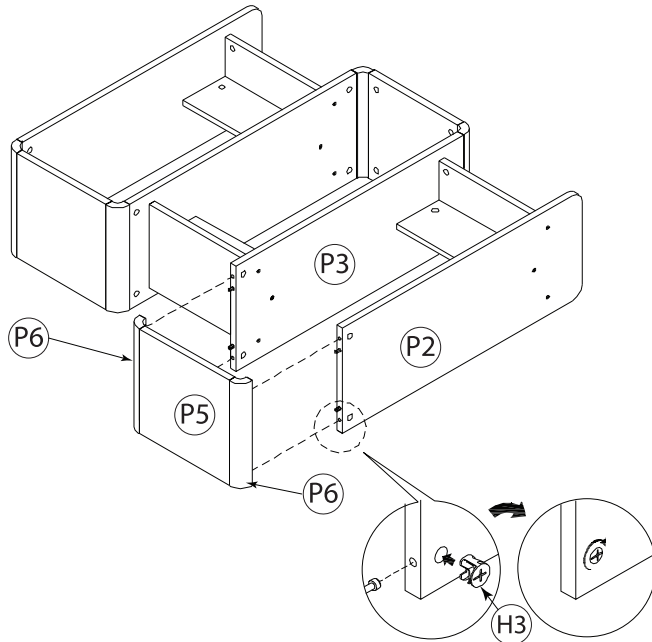
STEP 8



Align the Camlock (H3) & use a screwdriver to turn it to locked position when it is connected to the bolt.

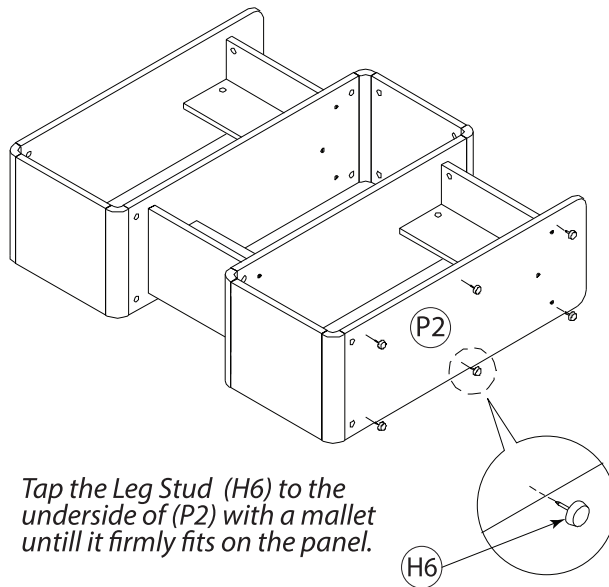
ASSEMBLY INSTRUCTIONS

STEP 9



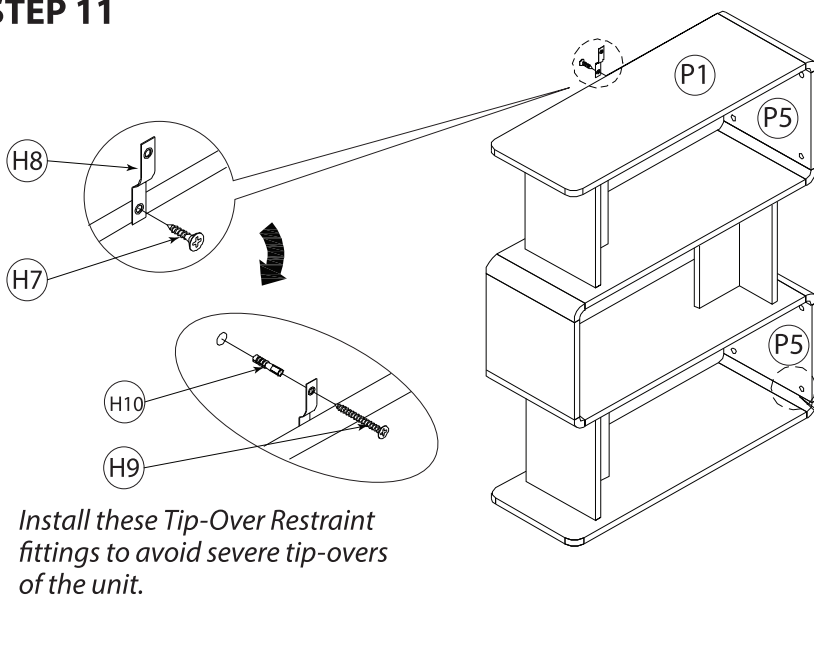
Align the Camlock (H3) & use a screwdriver to turn it to locked position when it is connected to the bolt.

STEP 10



Tap the Leg Stud (H6) to the underside of (P2) with a mallet until it firmly fits on the panel.

STEP 11



Install these Tip-Over Restraint fittings to avoid severe tip-overs of the unit.

IMPORTANT!
ANCHOR THE UNIT TO THE WALL TO AVOID TIPPING.
PLACE THE HEAVIEST ITEMS IN THE LOWEST SHELVES.
NEVER ALLOW CHILDREN TO STAND OR CLIMB ON THE UNIT.
THE USE OF TIP-OVER RESTRAINTS MAY ONLY REDUCE, BUT NOT ELIMINATE, THE RISK OF TIP-OVER

Use the provided stickers (H5) to cover the screw holes.