



20-year warranty



Having trouble?

If you have questions or concerns regarding assembly instructions or missing parts, please contact us



Cleaning tips

**For a Quick Clean:**

Simply wipe down with soap and water.

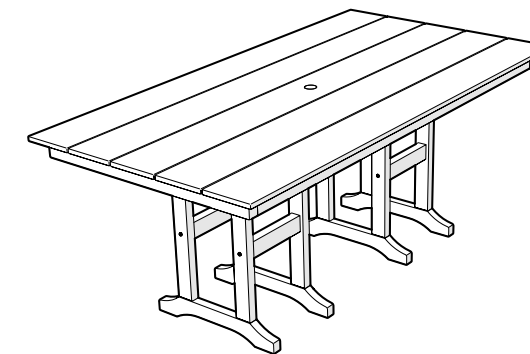
**For a Deep Clean:**

Wipe on  $\frac{1}{3}$  bleach and  $\frac{2}{3}$  water solution with a clean cloth and let it sit on the lumber for a few minutes (this will not affect the color). Then, loosen any dirt and debris that may catch in surface grooves with a soft bristle brush; hose down to rinse.

**For a High-Power Clean:**

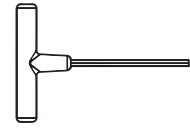
Use a pressure power washer (not exceeding 1,500 psi) to spray off dirt and debris. Apply a  $\frac{1}{3}$  bleach and  $\frac{2}{3}$  water solution and scrub with a soft-bristle brush. Hose down to rinse.

## Assembly Instructions



**Dining Table**

# TOOLS

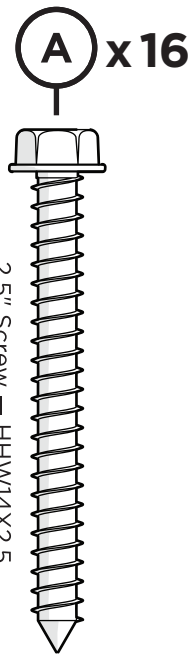
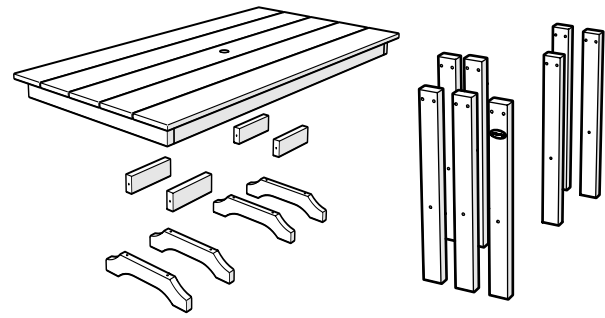


4mm T-handle hex key (included)

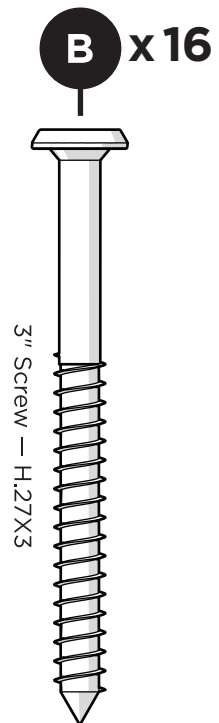


3/8" wrench (not included)

# PARTS



2.5" Screw — HHW14X2.5



3" Screw — H.27X3

