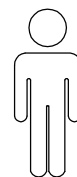
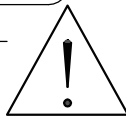
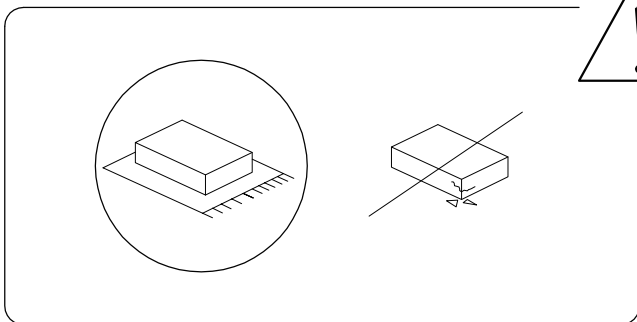
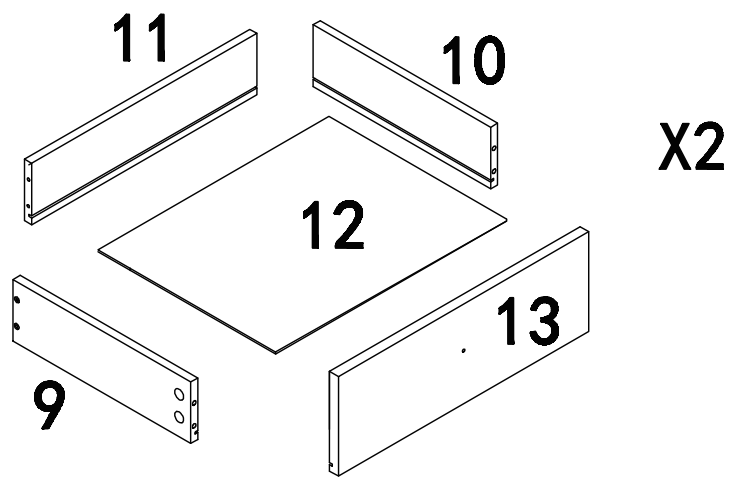
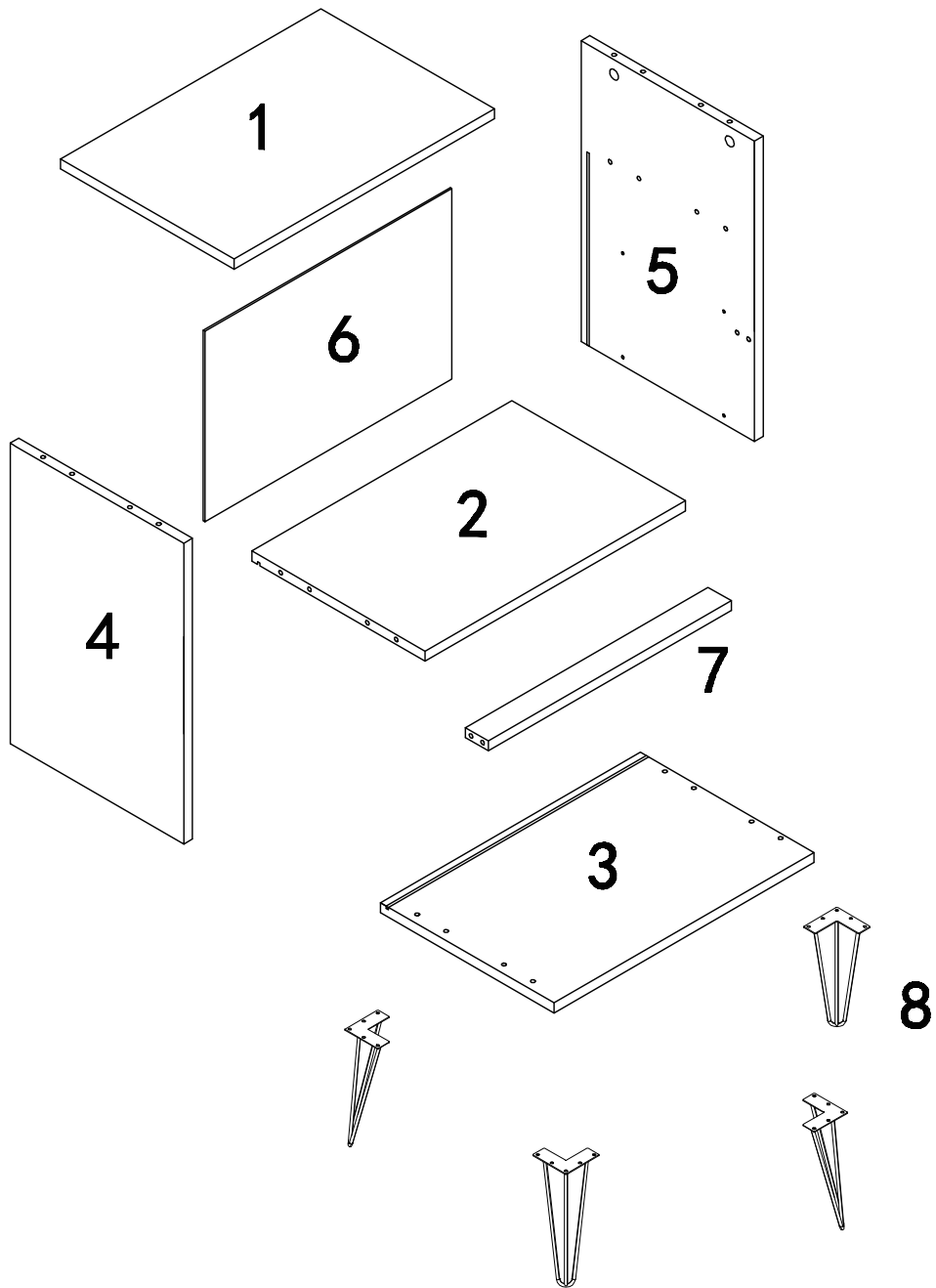
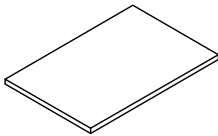
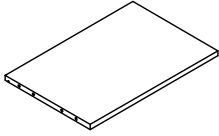
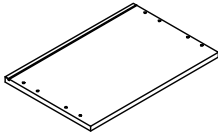
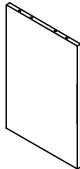
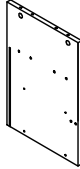
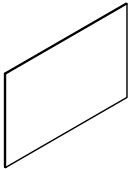
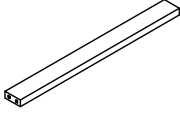
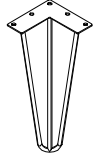
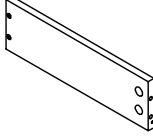
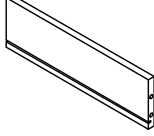
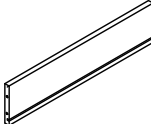
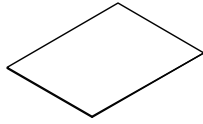
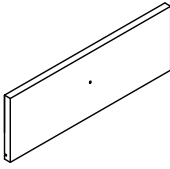









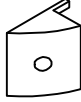
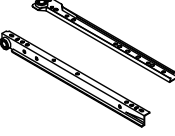
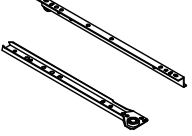





90'

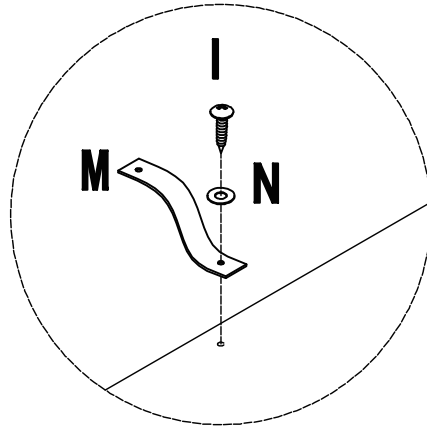
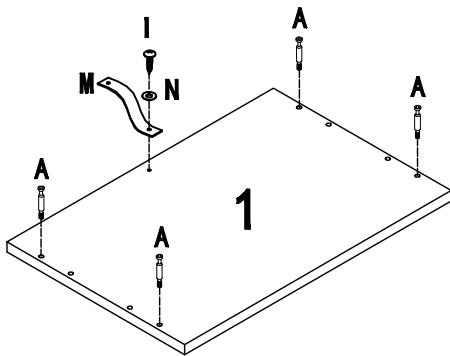
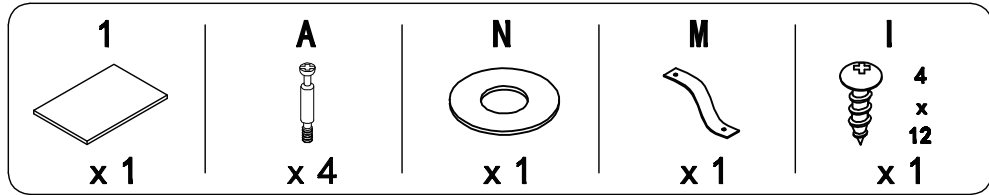


1

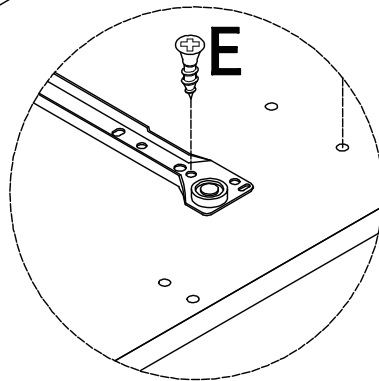
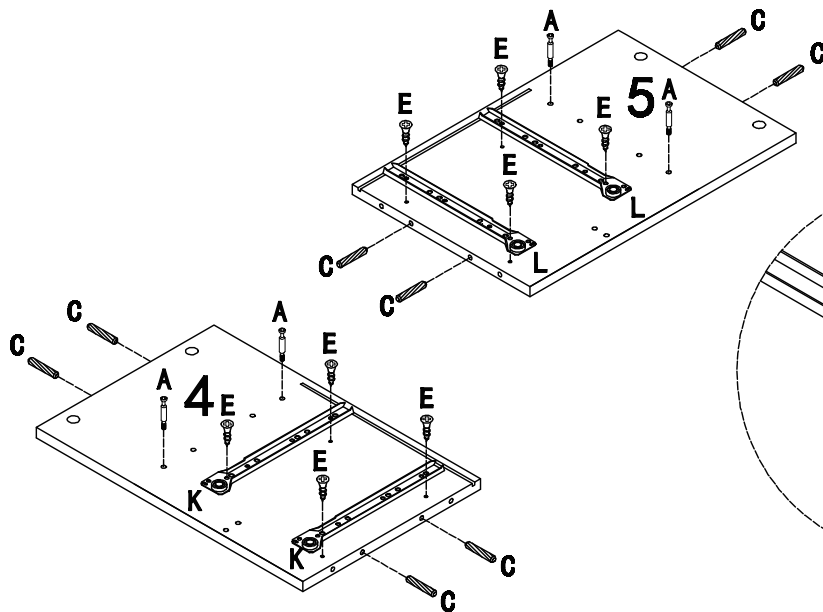
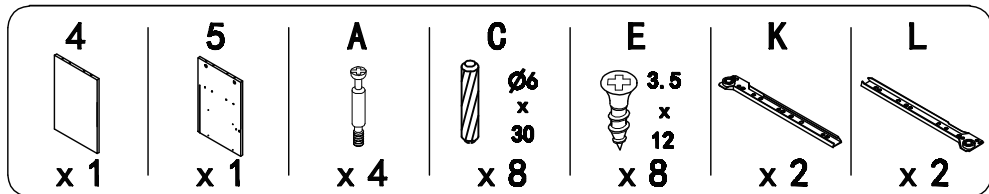


1  x 1	2  x 1	3  x 1	4  x 1	5  x 1
6  x 1	7  x 1	8  x 4	9  x 2	10  x 2
11  x 2	12  x 2	13  x 2	A  x 16	B  x 16
C  $\varnothing 6$ x 30 x 16	D  4 x 40 x 13	E  3.5 x 12 x 16	F  4 x 16 x 2	G  x 2
H  3 x 14 x 4	I  4 x 12 x 21	J  x 4	K  x 2	L  x 2
M  x 1	N  x 2	O  x 1		

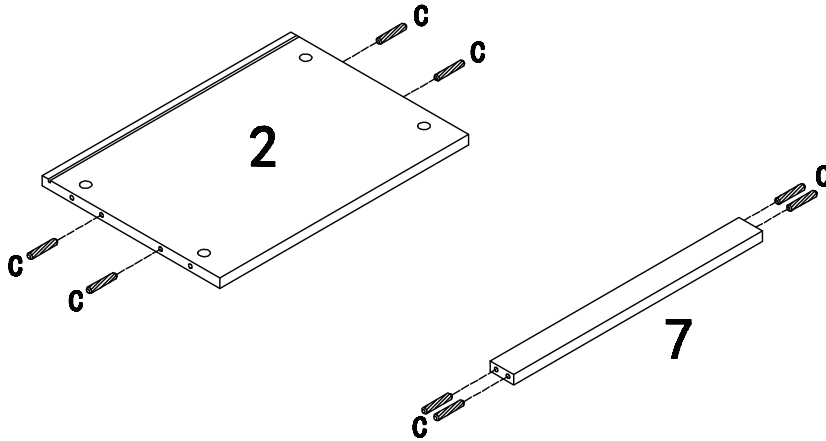
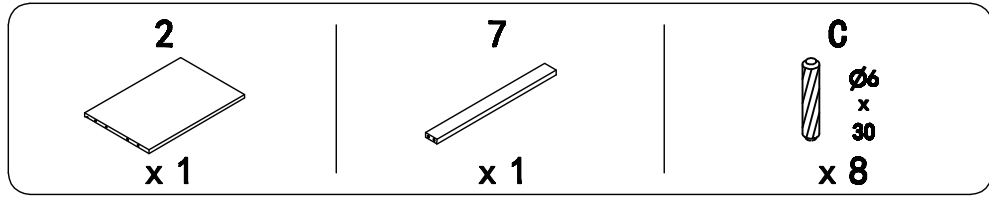
1



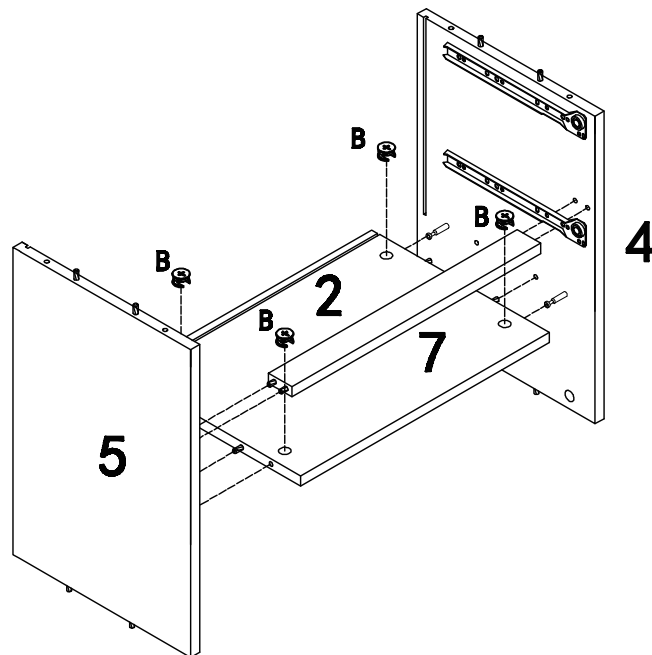
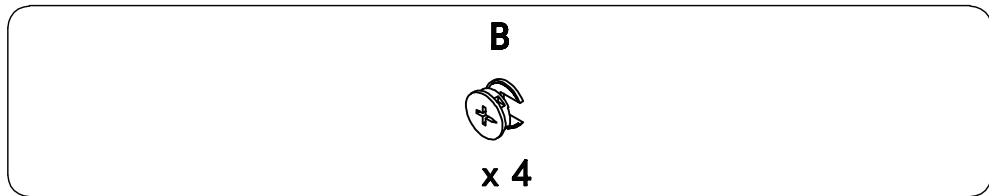
2



3



4

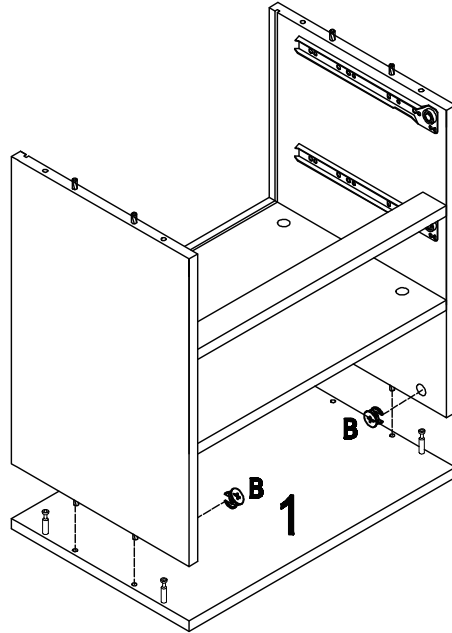


5

B

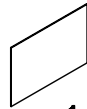


x 4

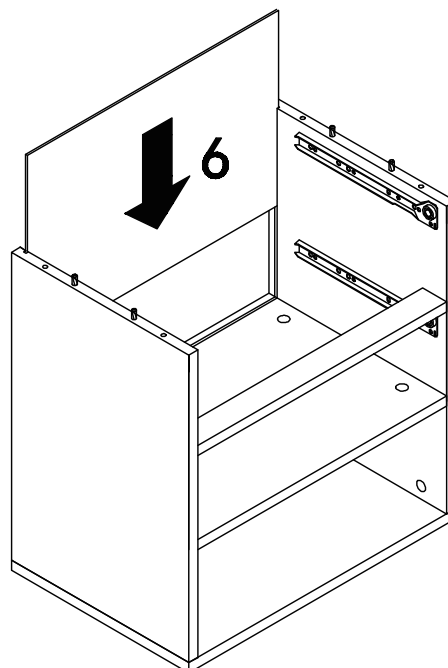


6

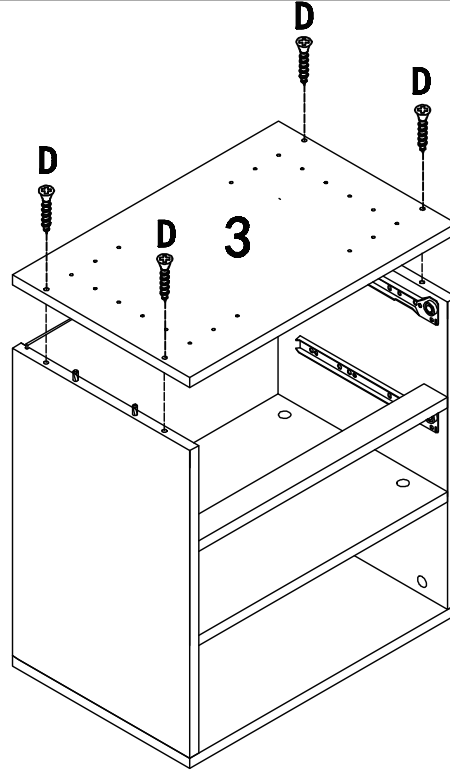
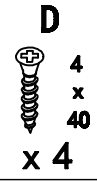
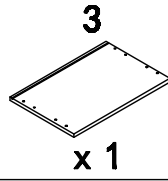
6



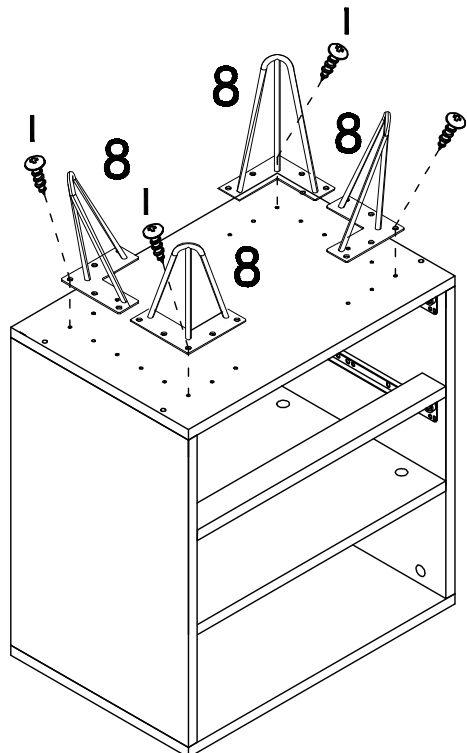
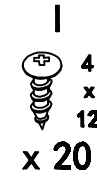
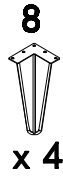
x 1



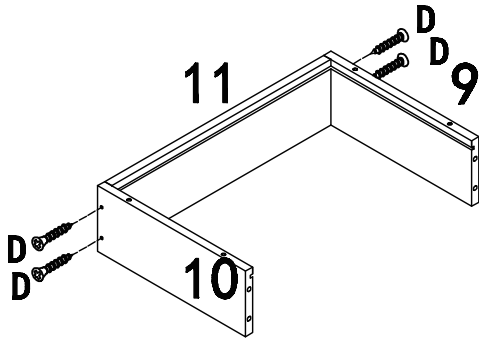
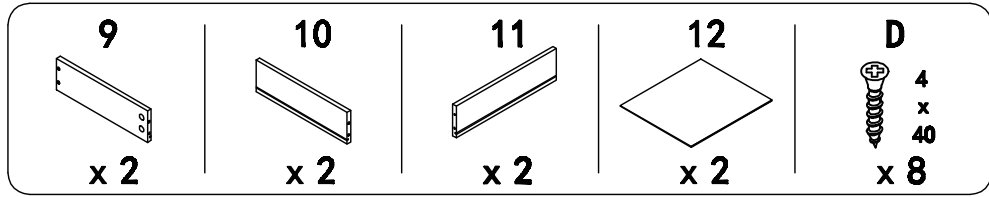
7



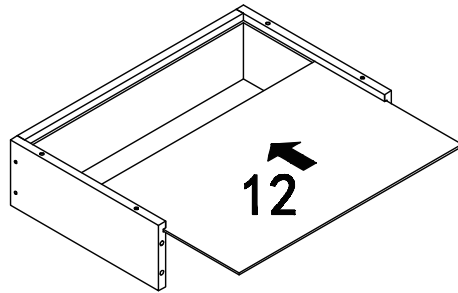
8



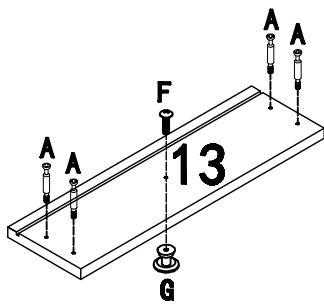
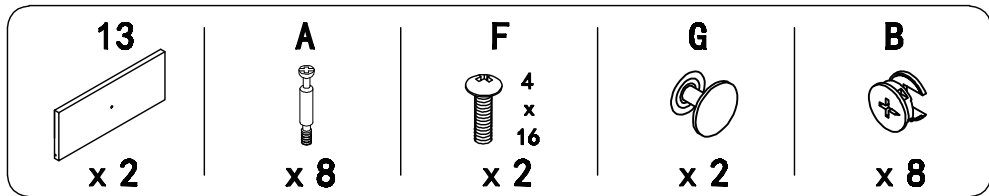
9



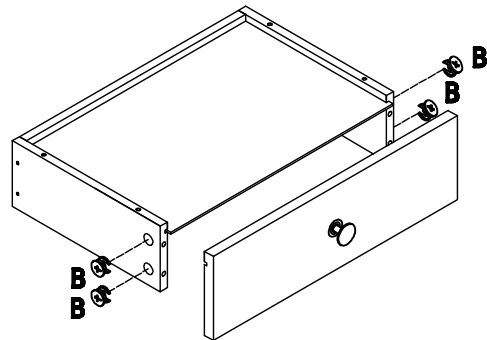
X 2



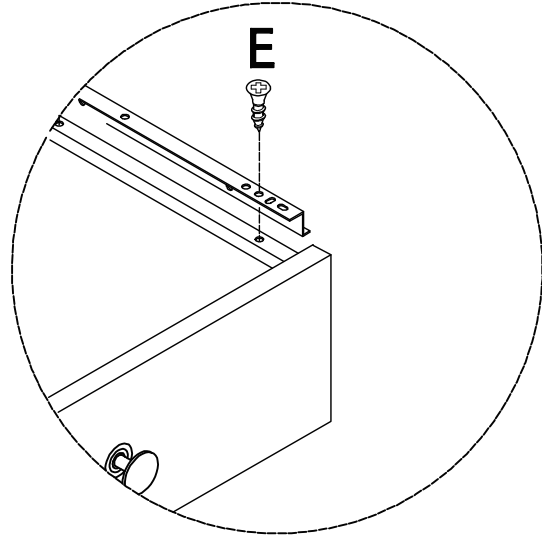
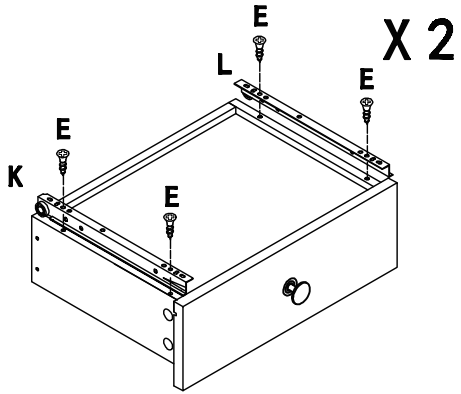
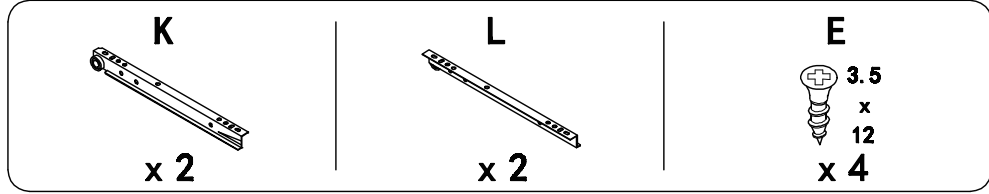
10



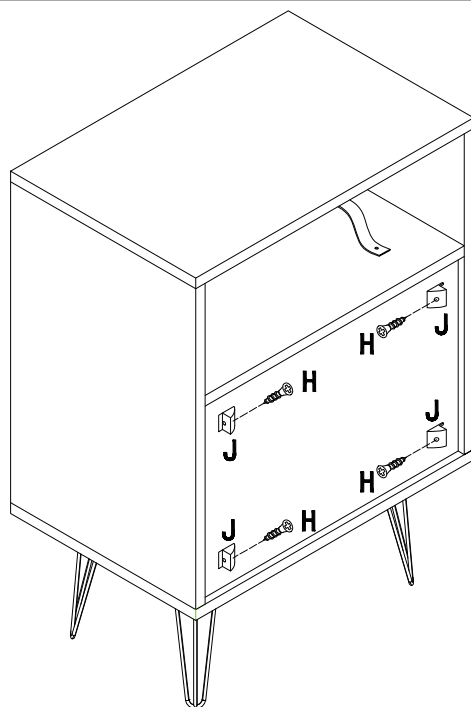
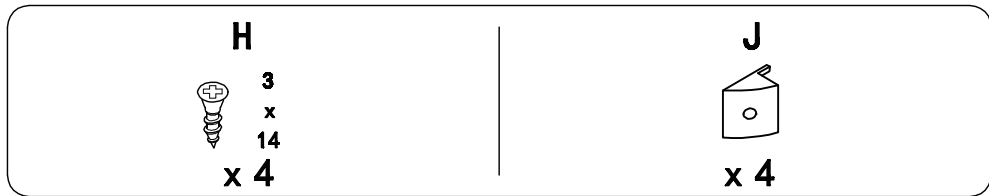
X 2



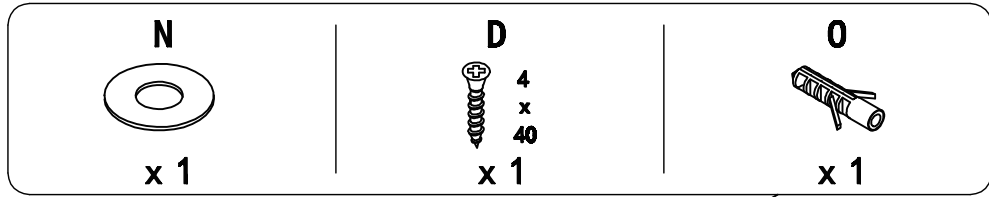
11



12



13



WALL

