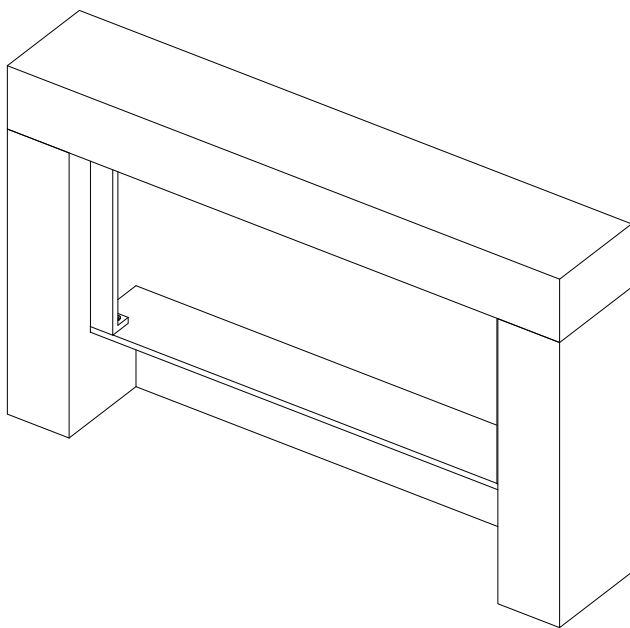


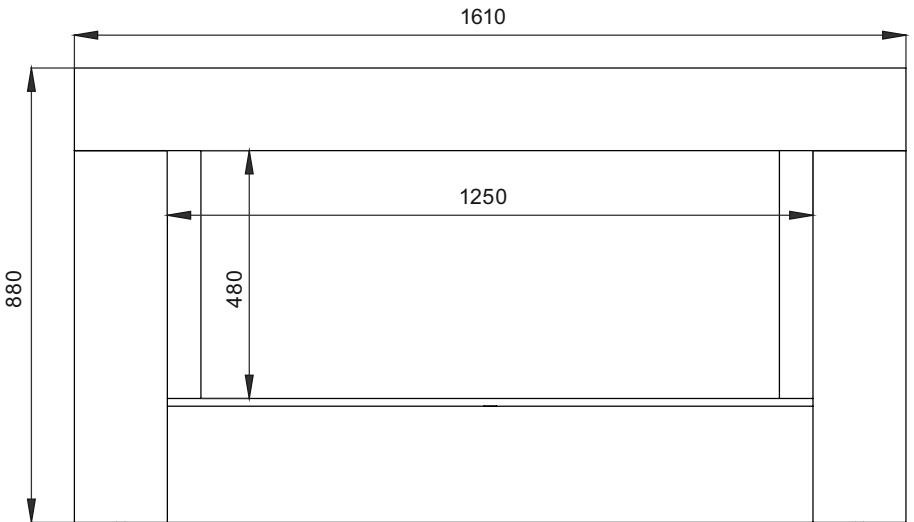
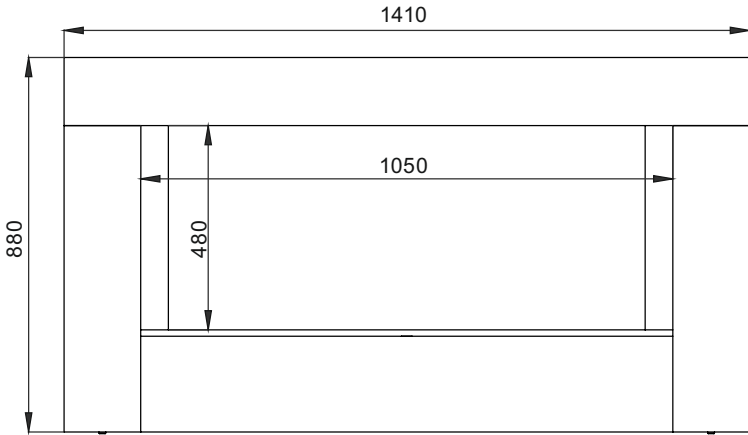
FIREPLACE MANTEL

ASSEMBLY INSTRUCTIONS

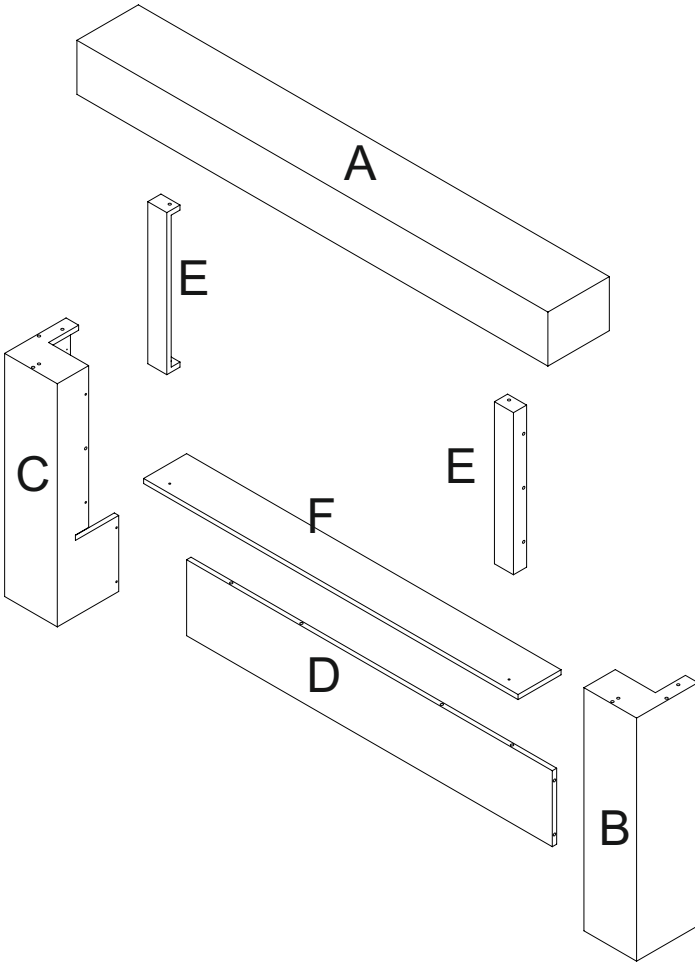


APPLIANCE DIMENSIONS

UNIT:MM



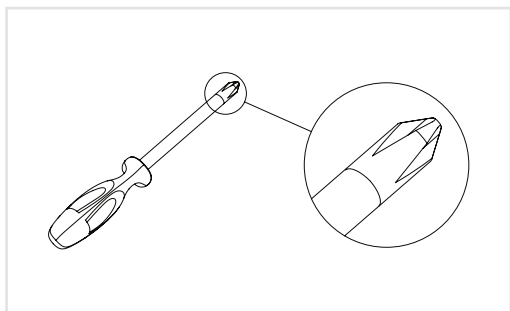
PARTS LIST

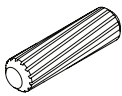
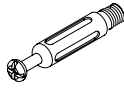

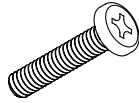
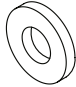

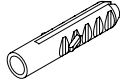
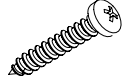
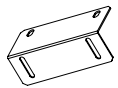


PARTS AND ACCESSORIES

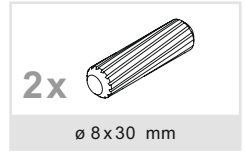
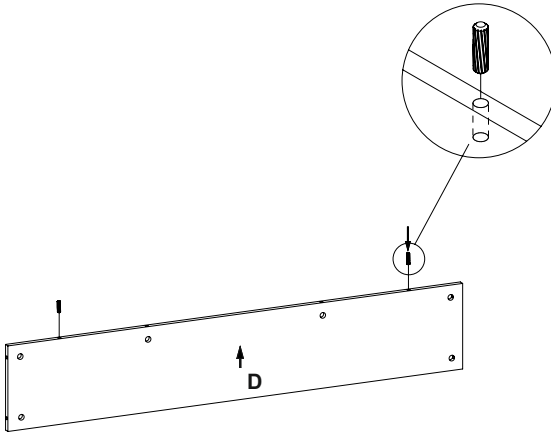
Tools required:

A screwdriver will be needed.



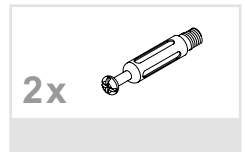
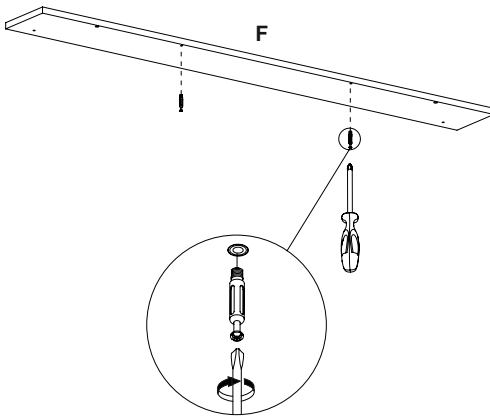
9x  ø 8 x 30 mm	7x 	7x 
11x  M6x30mm	11x 	4x  ST4x 12mm
2x 	2x  ST5x40mm	2x  L Bracket

01



Carry out this assembly step on both sides

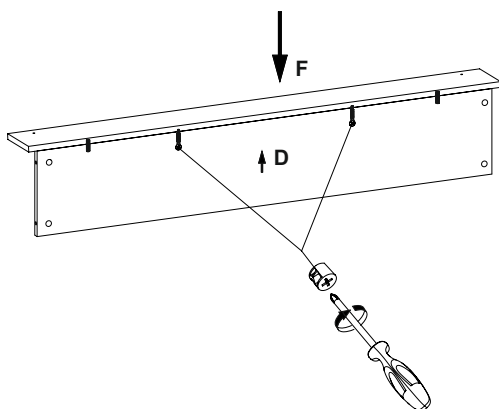
02



Carry out this assembly step on both sides

03

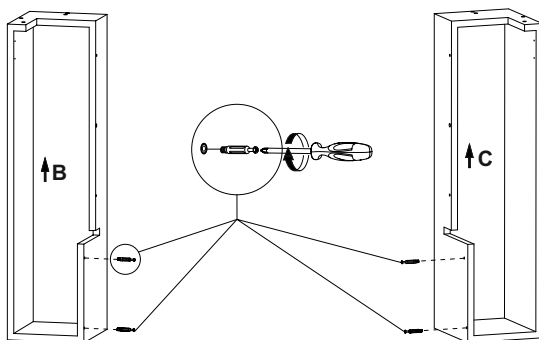
2x



Carry out this assembly step on both sides

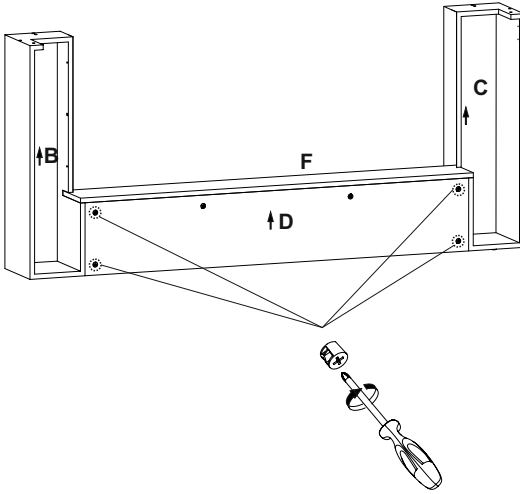
04

4x



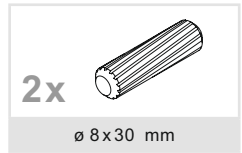
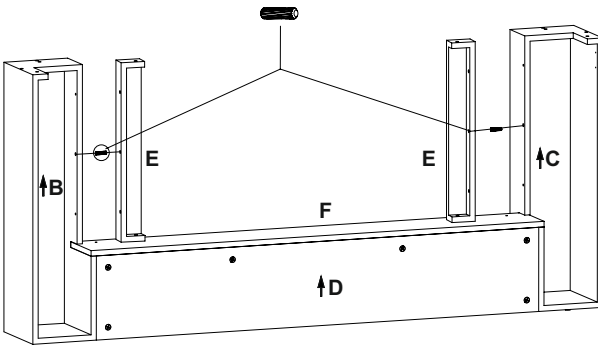
Carry out this assembly step on both sides

05



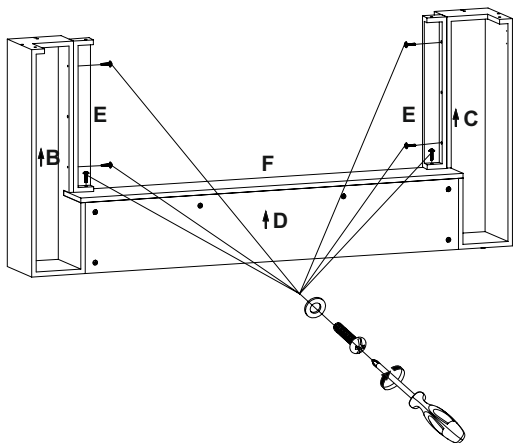
Carry out this assembly step on both sides

06



Carry out this assembly step on both sides

07



6x

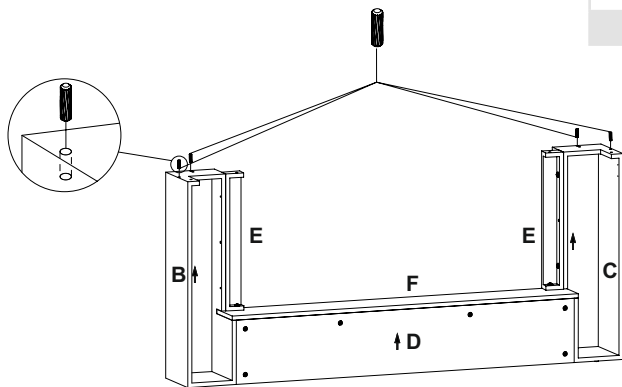
M6x30mm



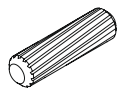
6x

Carry out this assembly step on both sides

08

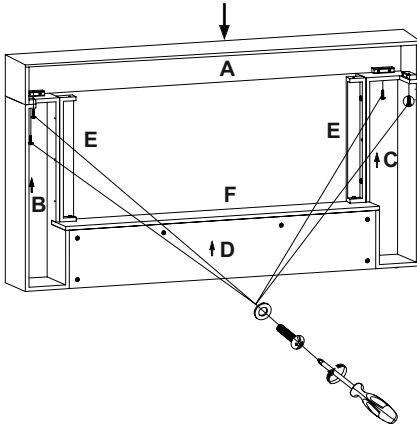


4x



Carry out this assembly step on both sides

09



4x

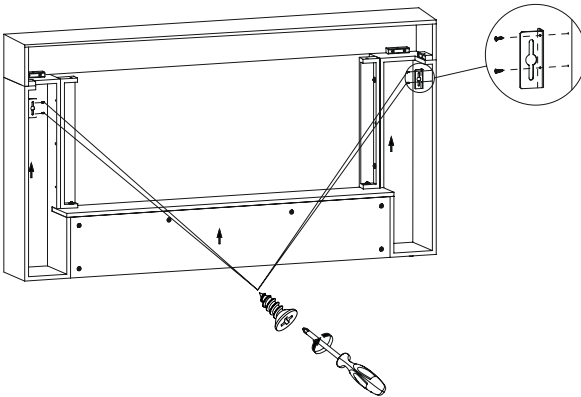
M6x30mm



4x

Carry out this assembly step on both sides

10



4x

M4x12mm

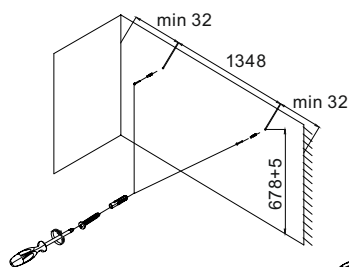


2x

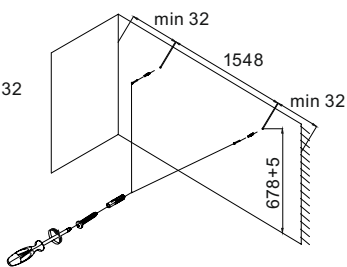
L bracket

Carry out this assembly step on both sides

11



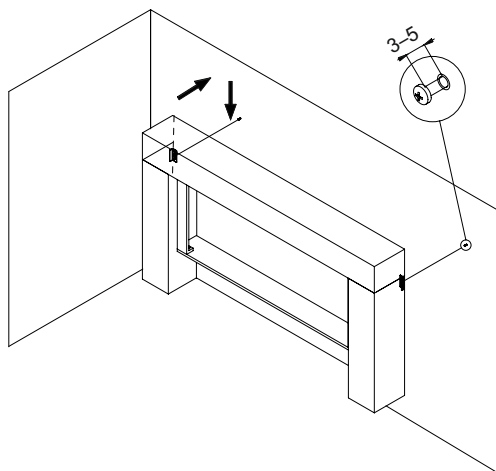
MT172F
mm



MT173F
mm

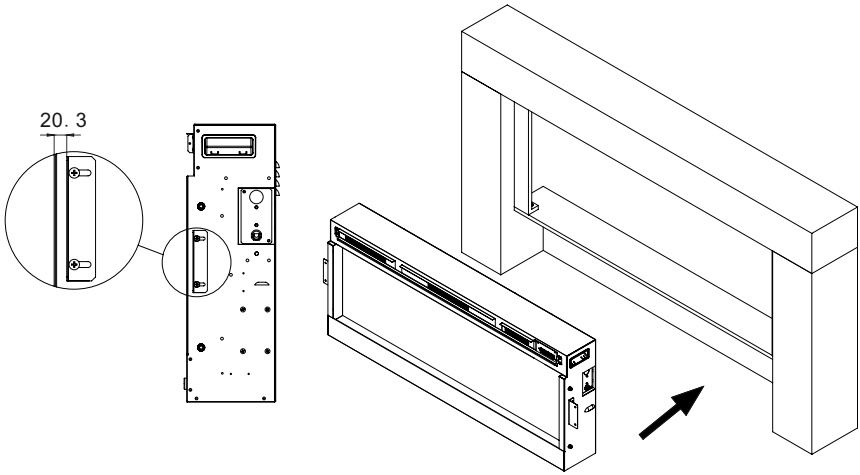
Reserve 3-5mm for the screw.

12

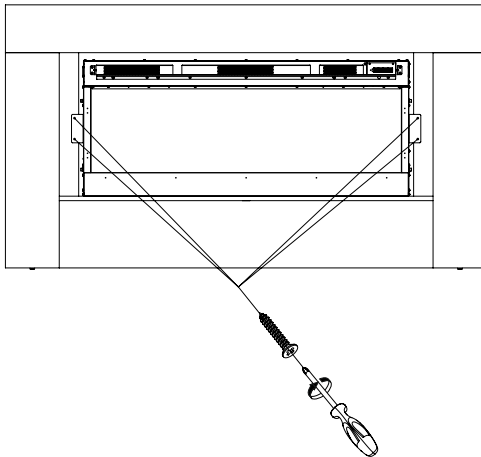


Snap the screw into the slot of the bracket.

13

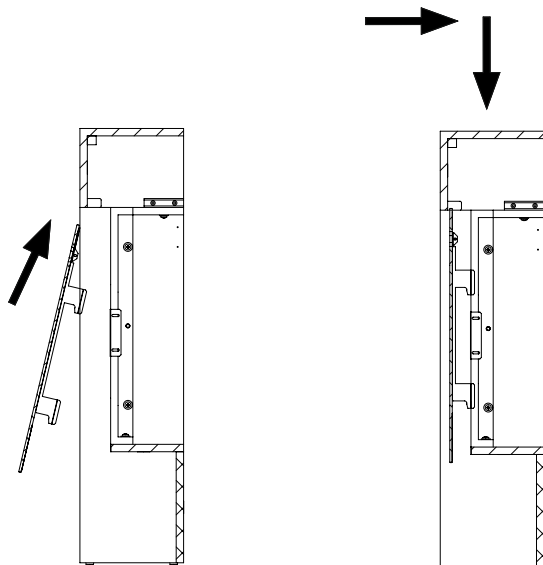


14



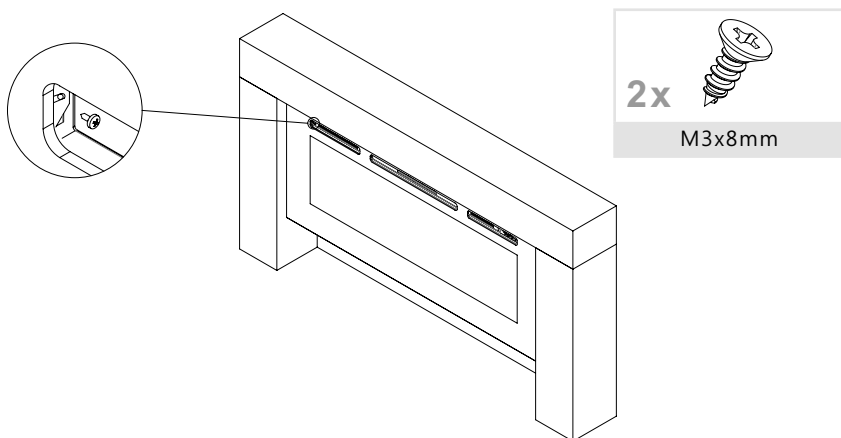
Screws used in this step come with the appliance.

15



Install the front glass trim

16



2x

M3x8mm

Fix the front glass by screws came with the appliance .