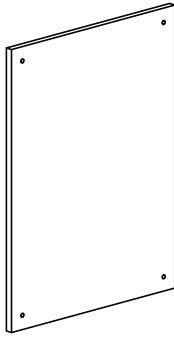


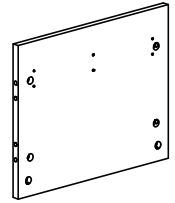
Ax1



Bx1



Cx2



Dx2



Ex16



Fx16



Gx16



Hx18



Ix1



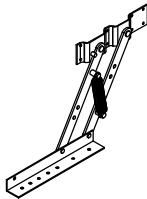
M3.5x $\frac{12}{0.5}$

Jx8

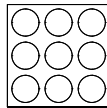


M6x $\frac{12}{0.5}$

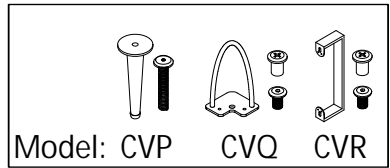
Kx12



Lx2



Mx2

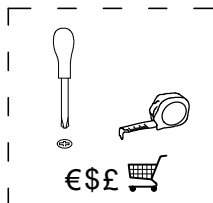


Model: CVP

CVQ

CVR

N



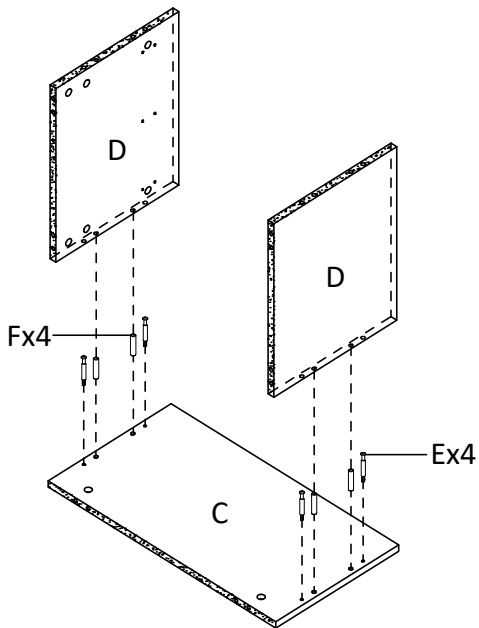
€\$£



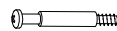
mm
inch

x2

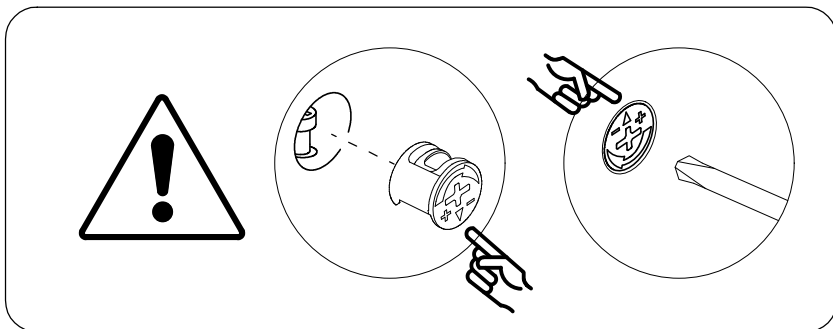
1



Ex4

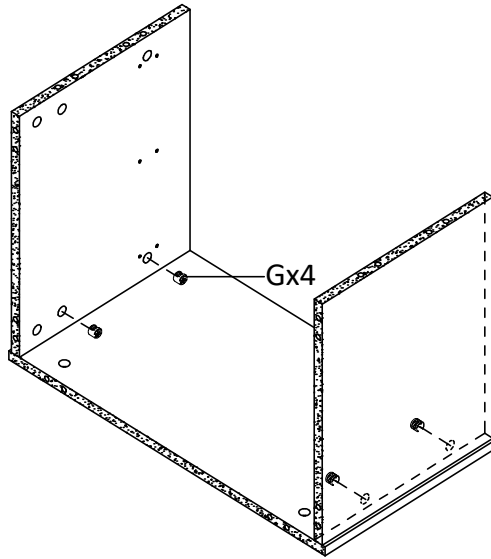


Fx4



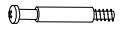
②

Gx4

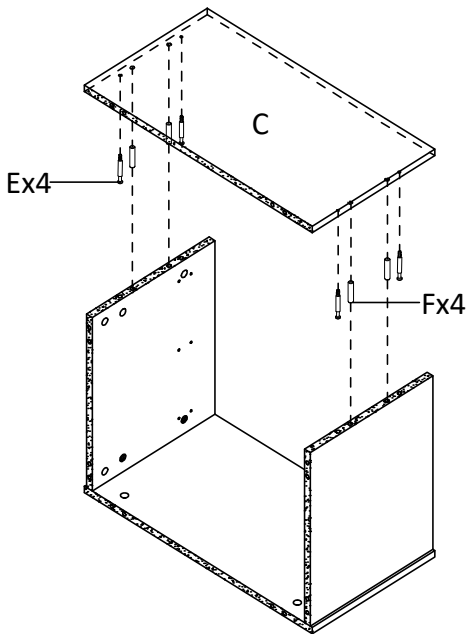


③

Ex4

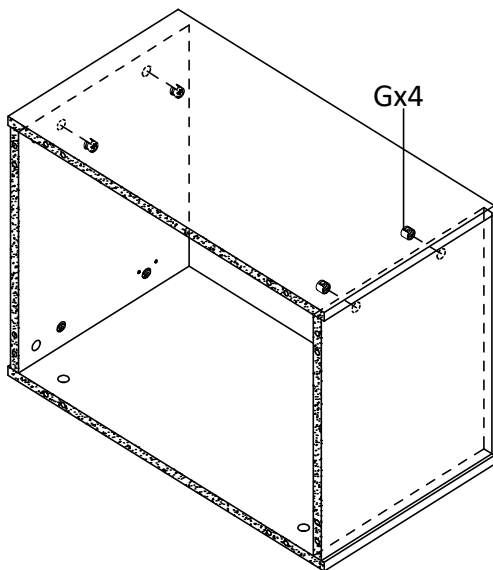


Fx4



4

Gx4

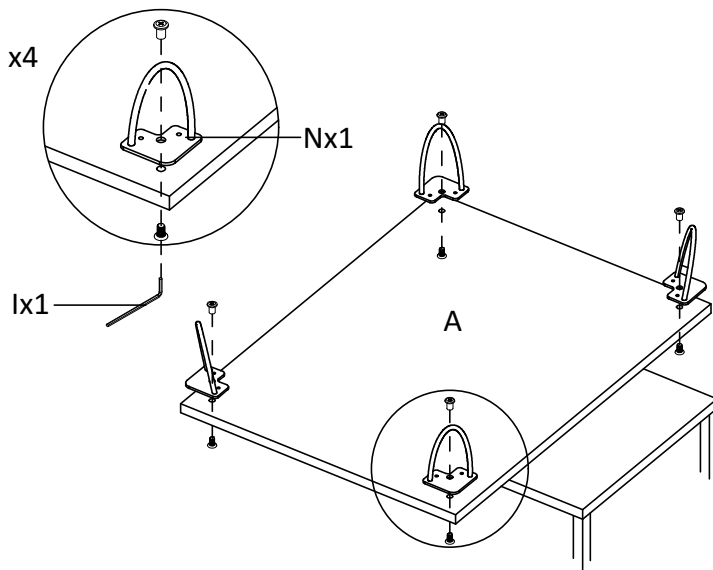


5

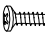
Nx4

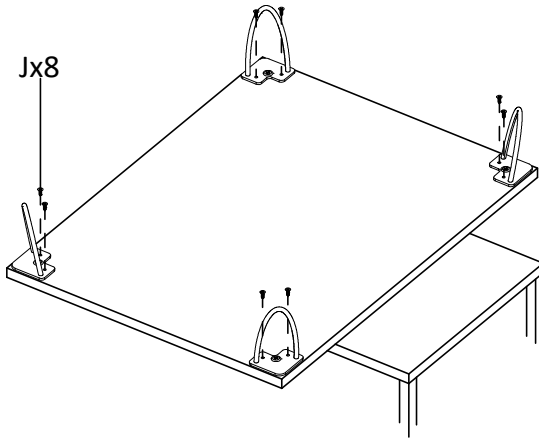


lx1



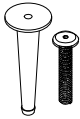
6

Jx8

M3.5x $\frac{12}{0.5}$

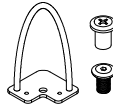


a

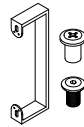
N



CVP

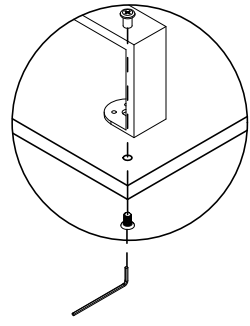
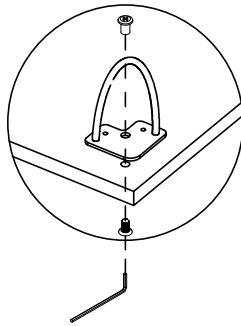
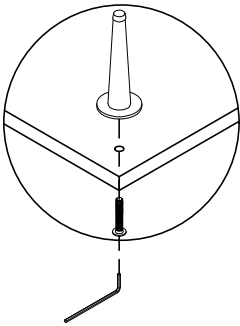


CVQ

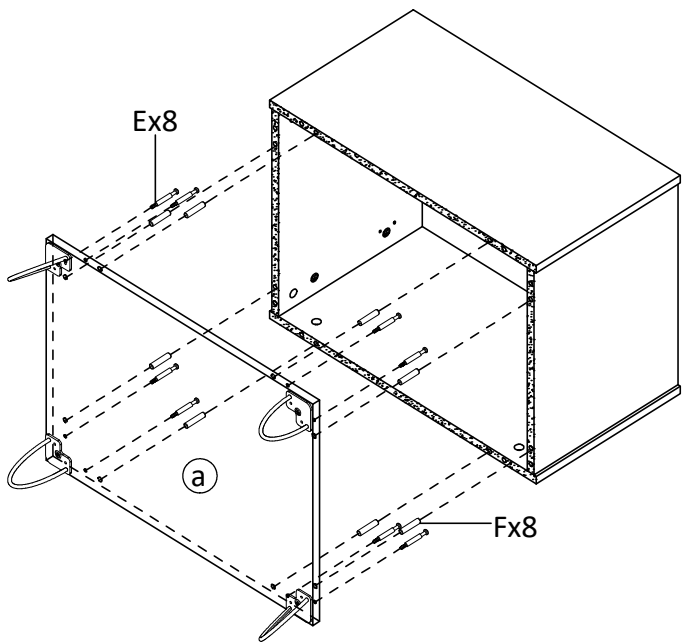


CVR

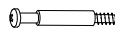
Model:



7



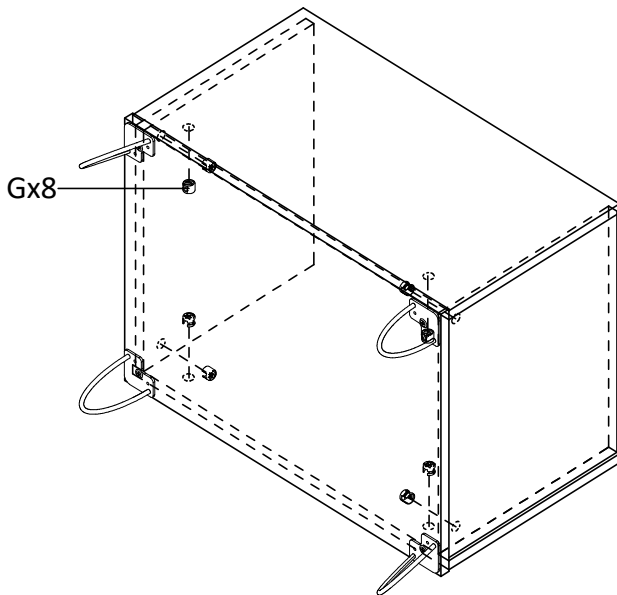
Ex8



Fx8

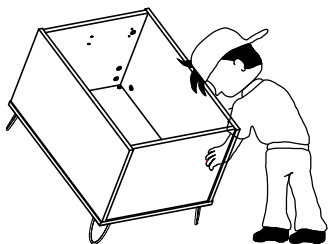
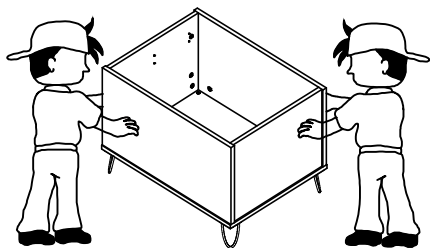


8

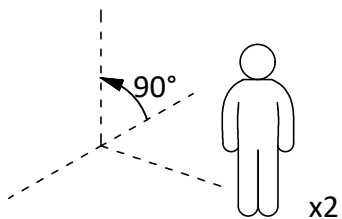
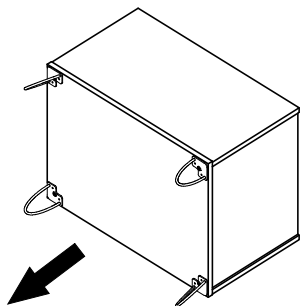
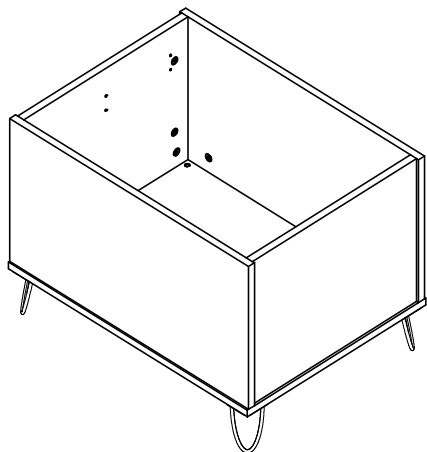


Gx8

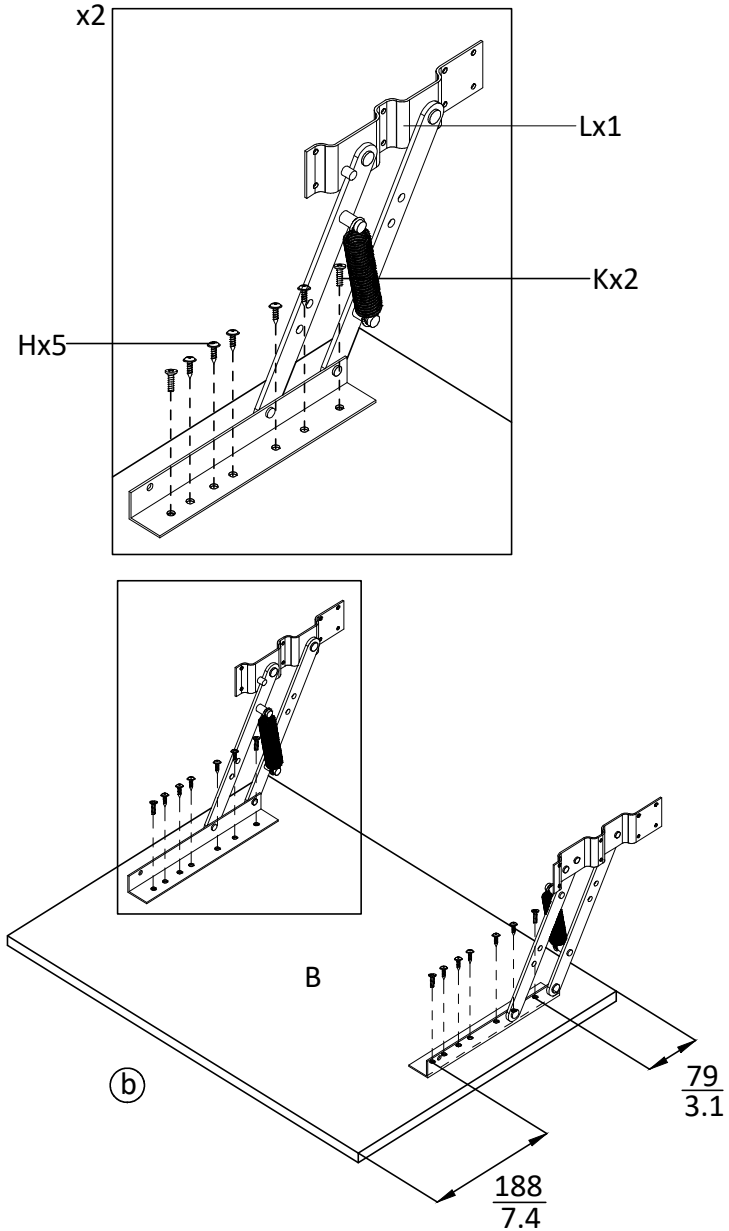




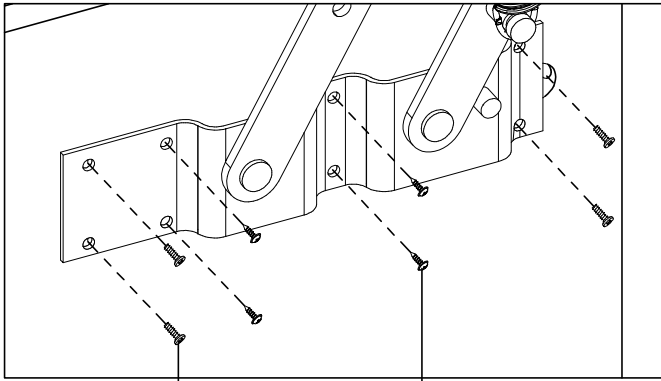
9



10



11



Kx4

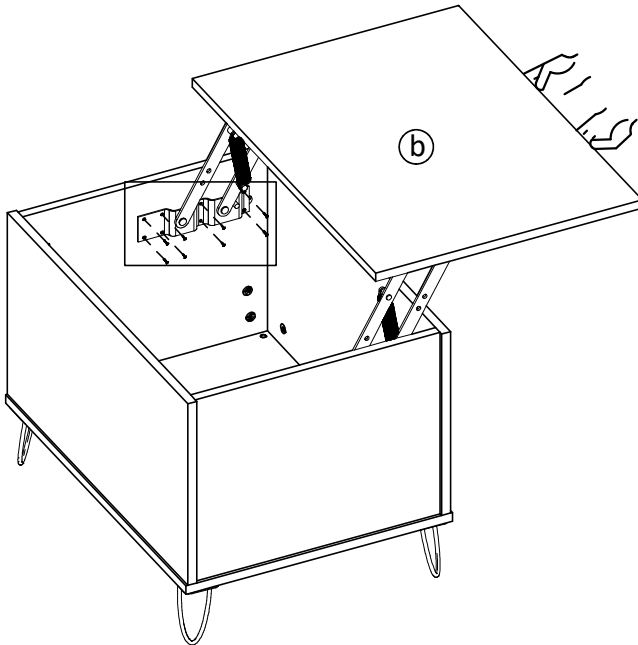
Hx4

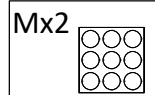
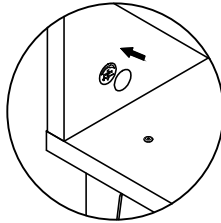
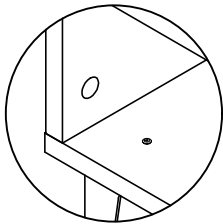
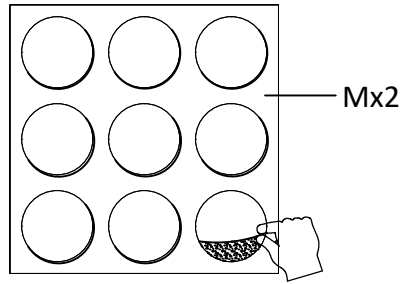
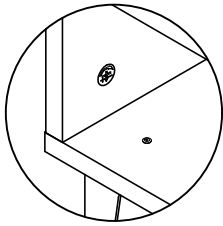
x2

Hx8

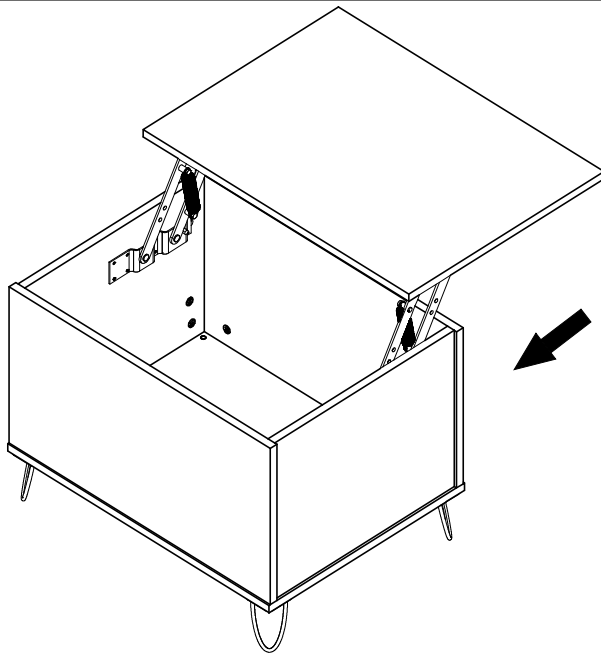


Kx8

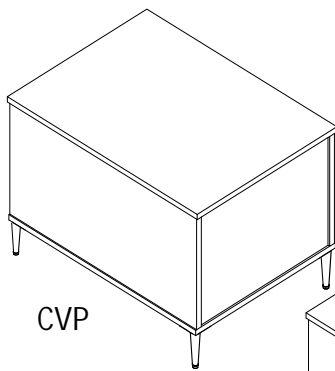




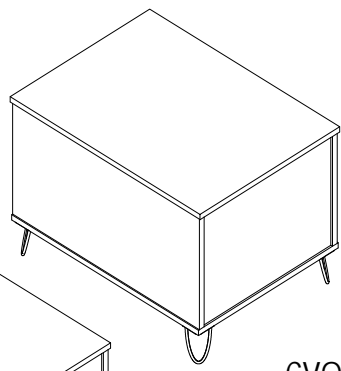
12



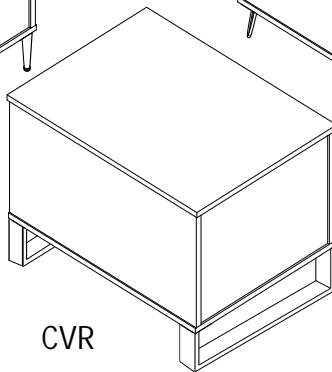
13



CVP



CVQ



CVR

