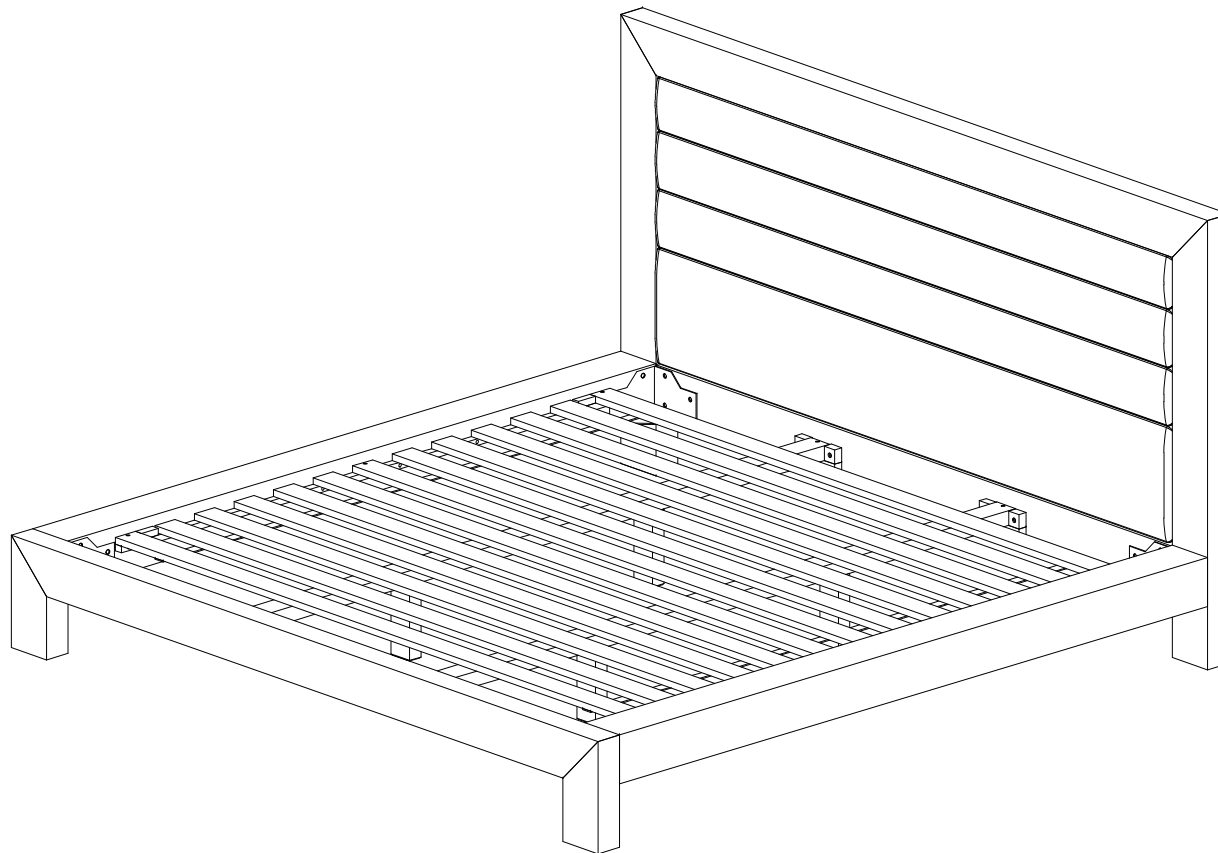


ASSEMBLY INSTRUCTIONS

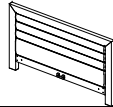

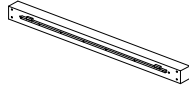
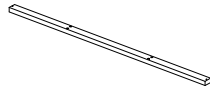


KING BED








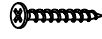
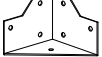
THANK YOU FOR YOUR PURCHASE!

PARTS AND HARDWARE.

PART LIST

NO.	DESCRIPTION	IMAGE	Q.ty
P1	HEADBOARD		01
P2	FOOTBOARD		01
P3	SIDERAILS		02
P4	SUPPORT BAR		02
P5	SUPPORT LEGS		04
P6	SLATS		01

HARDWARE LIST

H1	Bolts	M6x20		24
H2	Bolts	M6x40		08
H3	Lock Washer	M8		32
H4	Plate Washer	M8xØ16		32
H5	Allen Key	K4		01
H6	Screw	Ø4 x 30		10
H7	Iron Plate			04

NOTES.

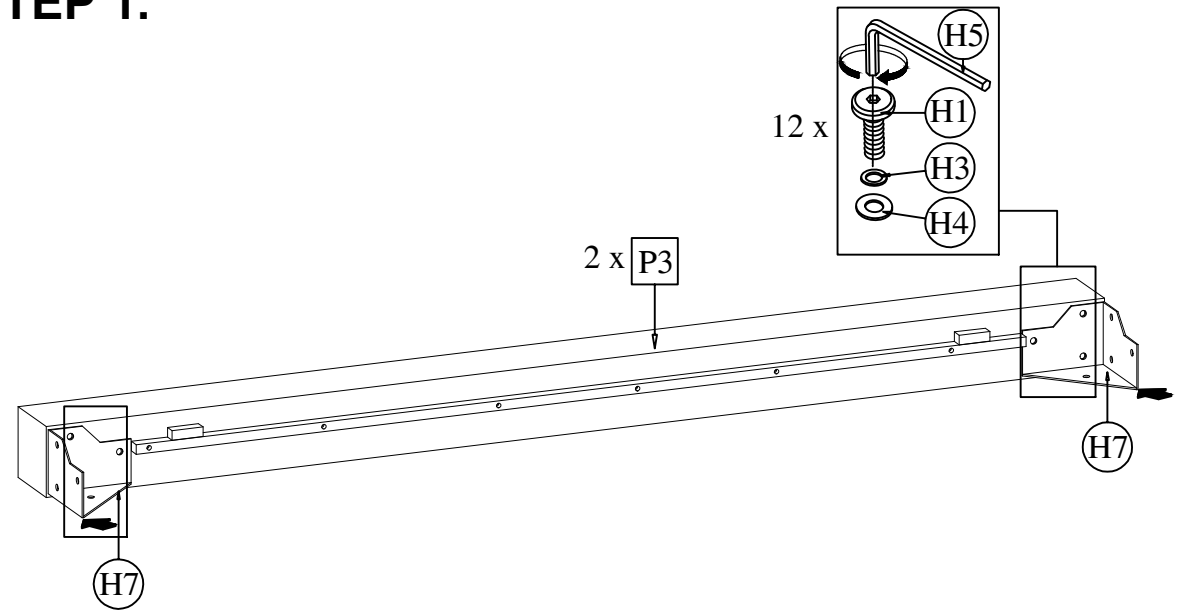
Thank you for purchasing this quality product!

Be sure to check all packing material carefully for small part that may have come loose inside the carton during shipping.

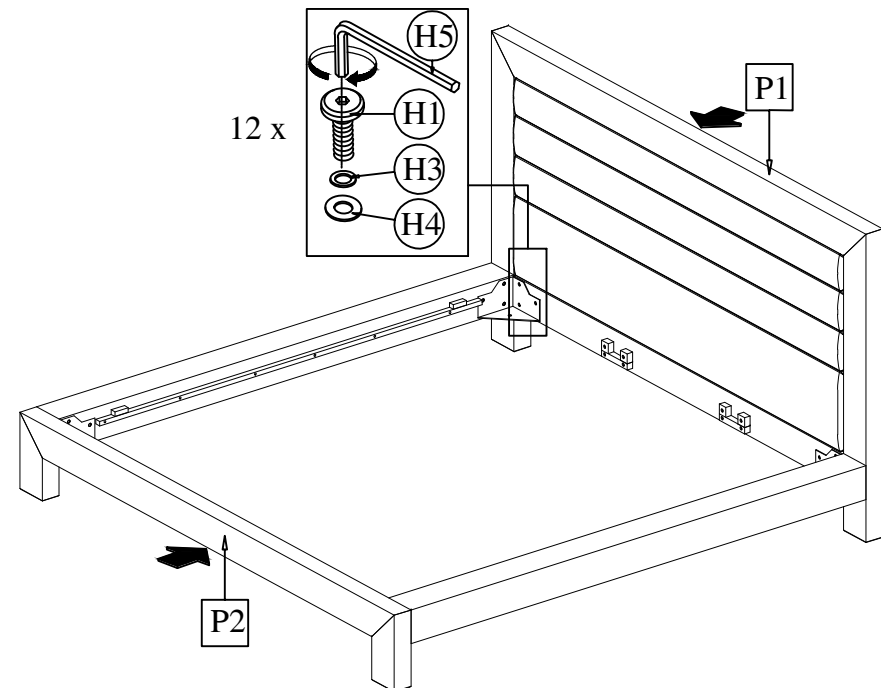
CAUTION:

The item is heavy, assembly should be performed by two people.

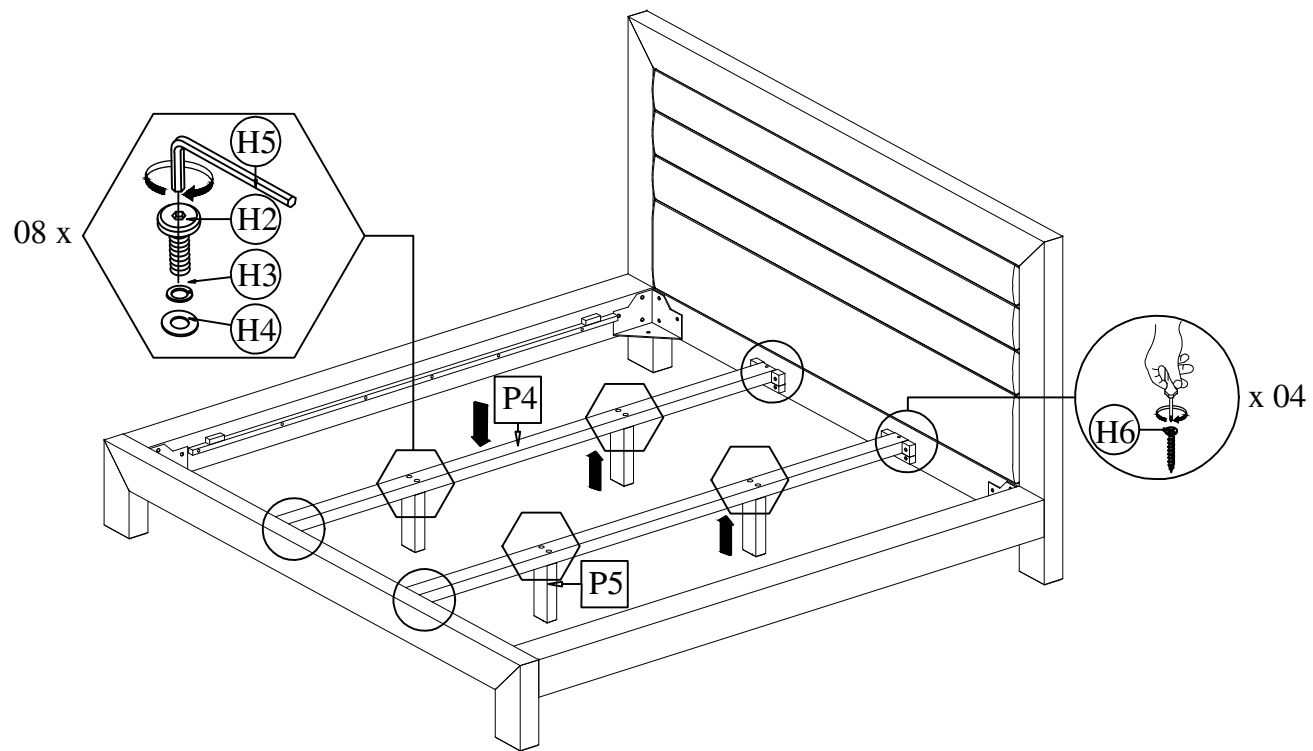
STEP 1.



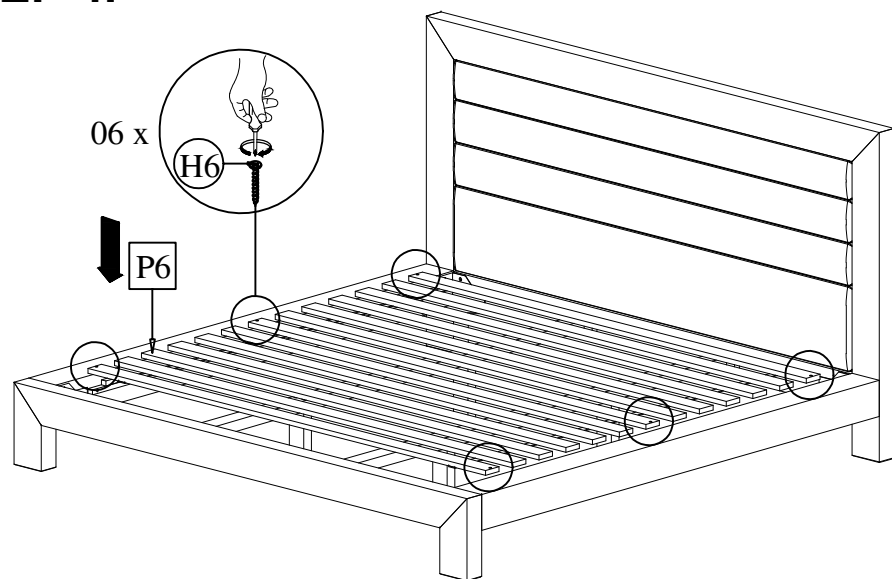
STEP 2.



STEP 3.



STEP 4.



FINISH.

