

ASSEMBLY INSTRUCTION

Thank you for purchasing this quality product. Be sure to check all packing material carefully for small parts which may have come loose inside the carton during shipment. Separate, identify and count all parts and hardware. Compare with the parts list to be sure all parts are present.

IMPORTANT : PLEASE READ INSTRUCTION BEFORE STARTING THE ASSEMBLY.

"DO NOT TIGHTEN SCREWS UNTIL COMPLETELY ASSEMBLED"

"DO NOT OVERTIGHT ANY HARDWARE"

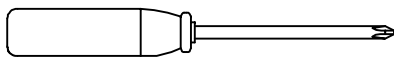
WARNING : SMALL PARTS AND HARDWARE NOT FOR CHILDREN UNDER 3 YEARS. ADULT ASSEMBLY REQUIRED.

TABLE OF CONTENTS

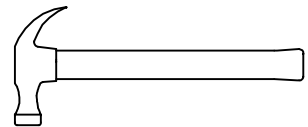
HARDWARES LIST	PAGE 2 - 3
PARTS LIST	PAGE 3 - 4
ASSEMBLY STEPS	PAGE 5 - 8
ASSEMBLY COMPLETED	PAGE 8

ASSEMBLY TOOLS REQUIRED

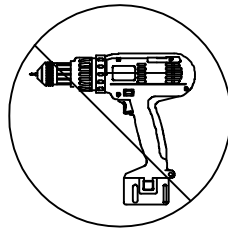
1. Screwdriver (not provide)



2. Hammer (not provide)

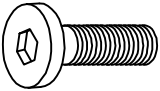
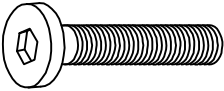

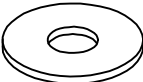
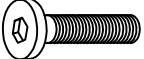
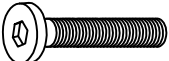
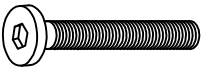
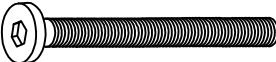



Skip the power trip this time.






ASSEMBLY INSTRUCTION

HARDWARES LIST

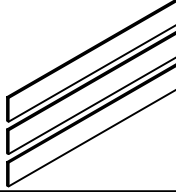
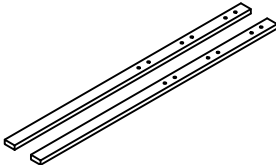
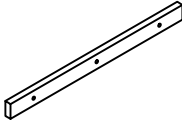
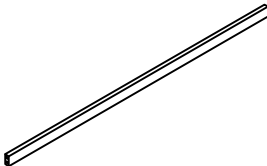
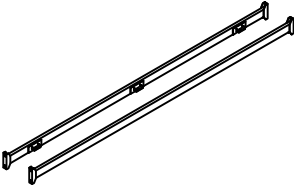
ITEM	DESCRIPTION	DRAWING	QTY
A	JCBC SCREW M8 x 16mm		8 PCS
B	JCBC SCREW M8 x 35mm		12 PCS
C	SPRING WASHER M8 x 16MM		12 PCS
D	FLAT WASHER M8 x 22MM		12 PCS
E	JCBC SCREW M6 x 16mm		4 PCS
F	JCBC SCREW M6 x 25mm		6 PCS
G	JCBC SCREW M6 x 30mm		3 PCS
H	JCBC SCREW M6 x 70mm		4 PCS
I	SPRING WASHER M6 x 13MM		3 PCS

ASSEMBLY INSTRUCTION

HARDWARES LIST

ITEM	DESCRIPTION	DRAWING	QTY
J	FLAT WASHER M6 x 19MM		3 PCS
K	M4 ALLEN KEY (65MM)		1 PCS
L	M5 ALLEN KEY (65MM)		1 PCS

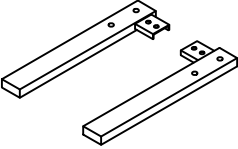
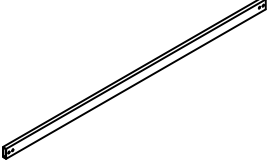
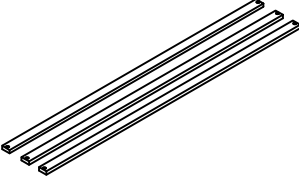
PARTS LIST

ITEM	DESCRIPTION	DRAWING	QTY
1	HEADBOARD PANEL		3 PCS
2	HEADBOARD LEG		2 PCS
3	HEADBOARD CENTER SUPPORT		1 PC
4	HEADBOARD SUPPORT		1 PC
5	SIDE RAIL		2 PCS

MORE PARTS DETAIL IN NEXT PAGE...

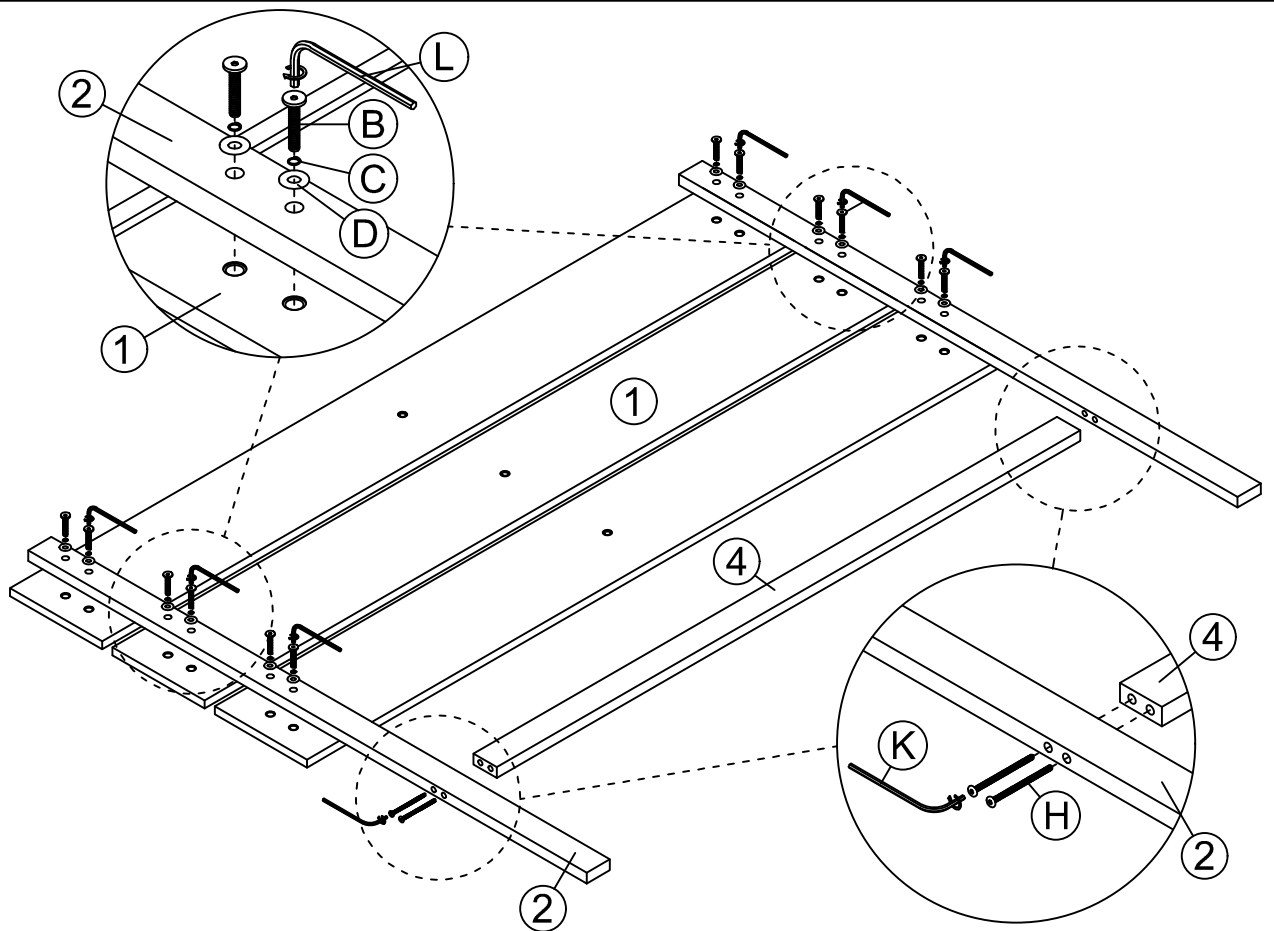
ASSEMBLY INSTRUCTION

PARTS LIST

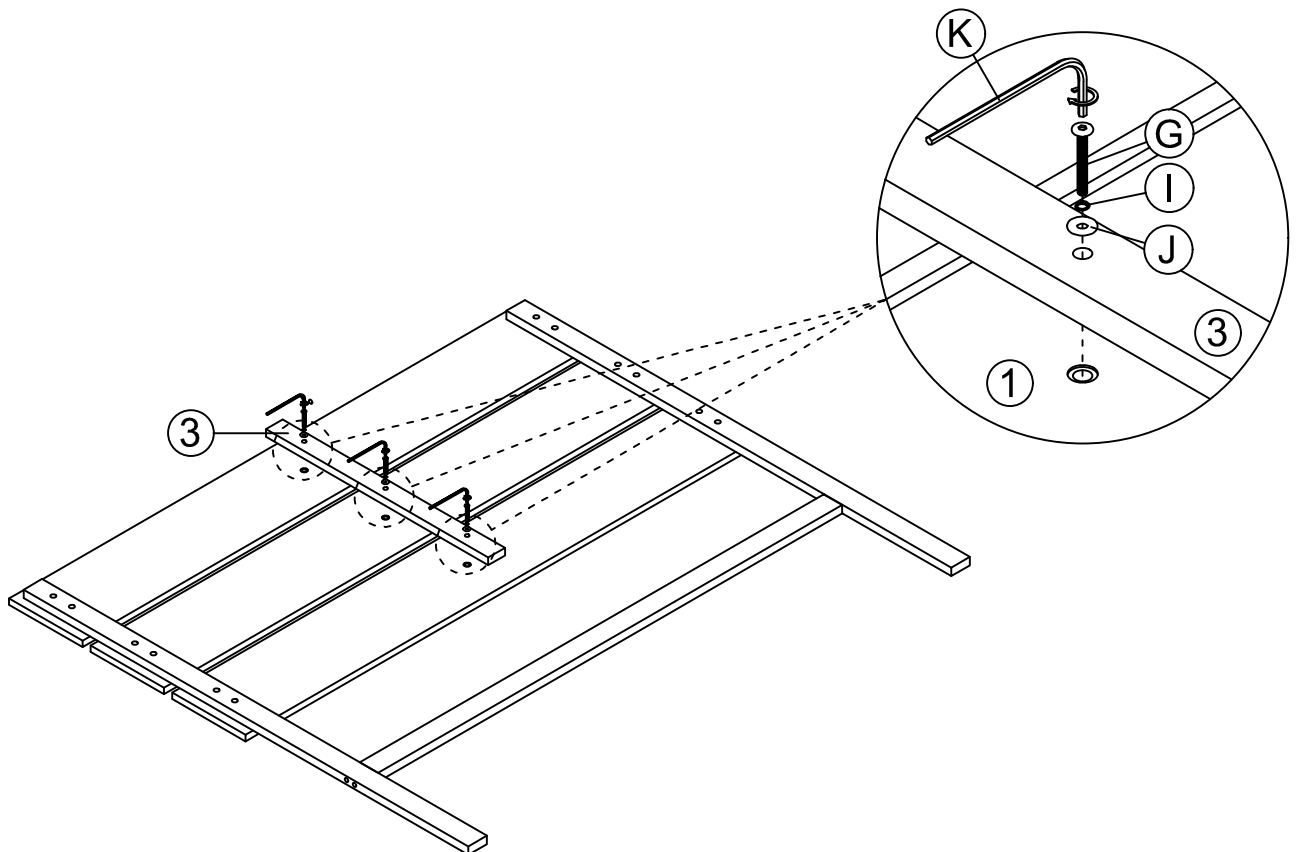
ITEM	DESCRIPTION	DRAWING	QTY
6	FOOTBOARD LEG L/R		2 PCS
7	FOOTBOARD SUPPORT		1 PC
8	SLAT		3 PCS

ASSEMBLY INSTRUCTION

STEP 1

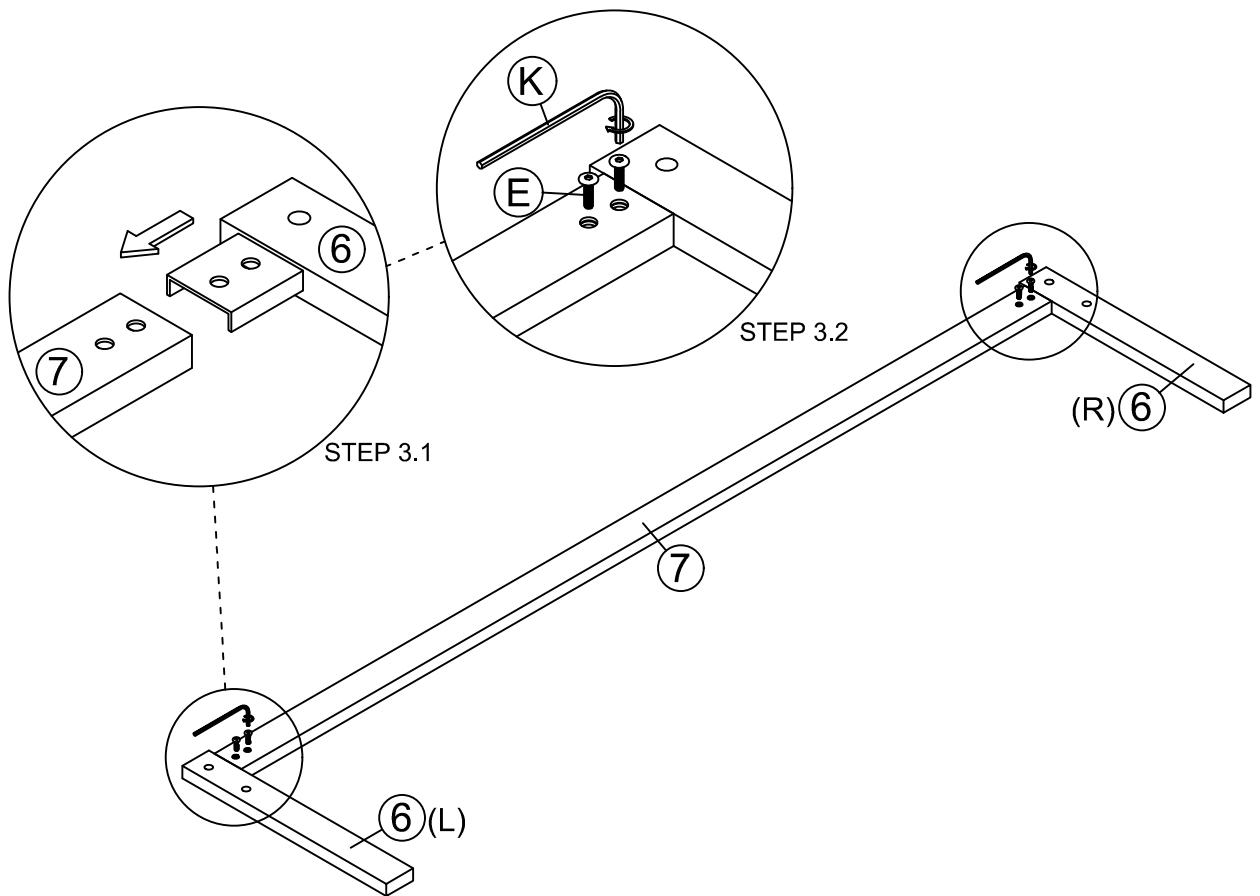


STEP 2

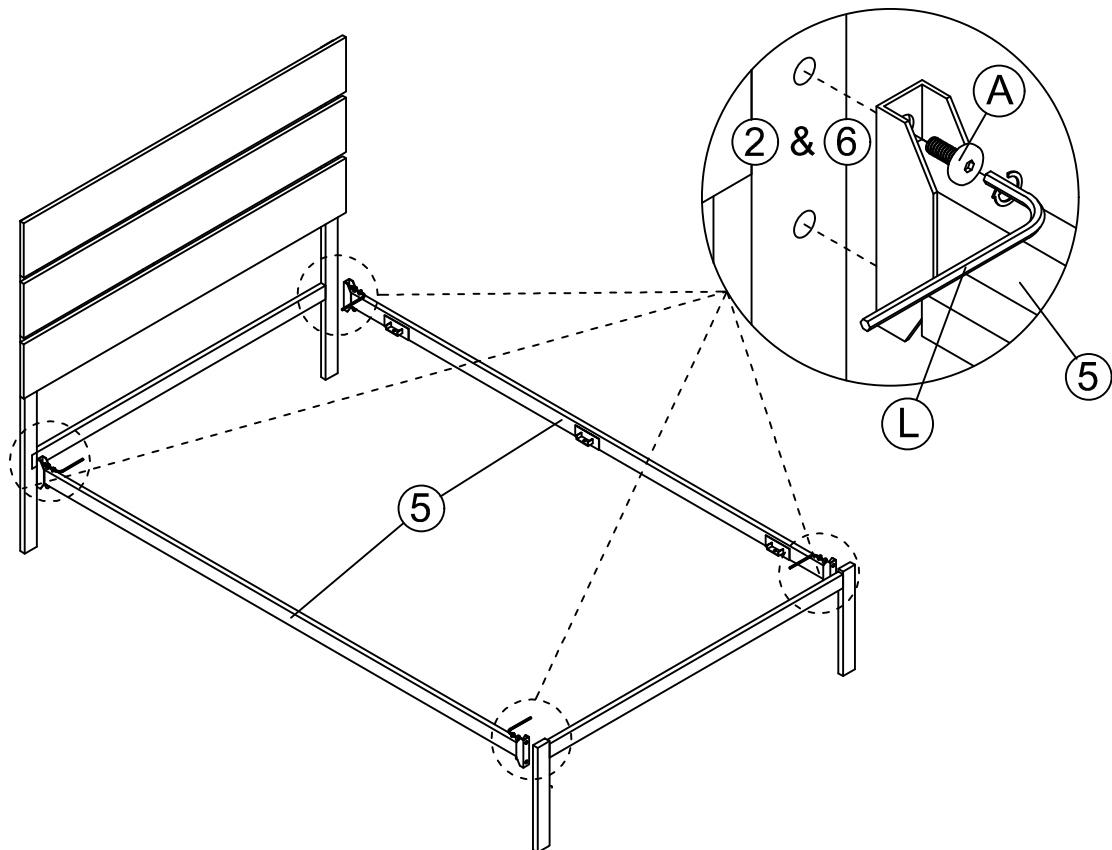


ASSEMBLY INSTRUCTION

STEP 3

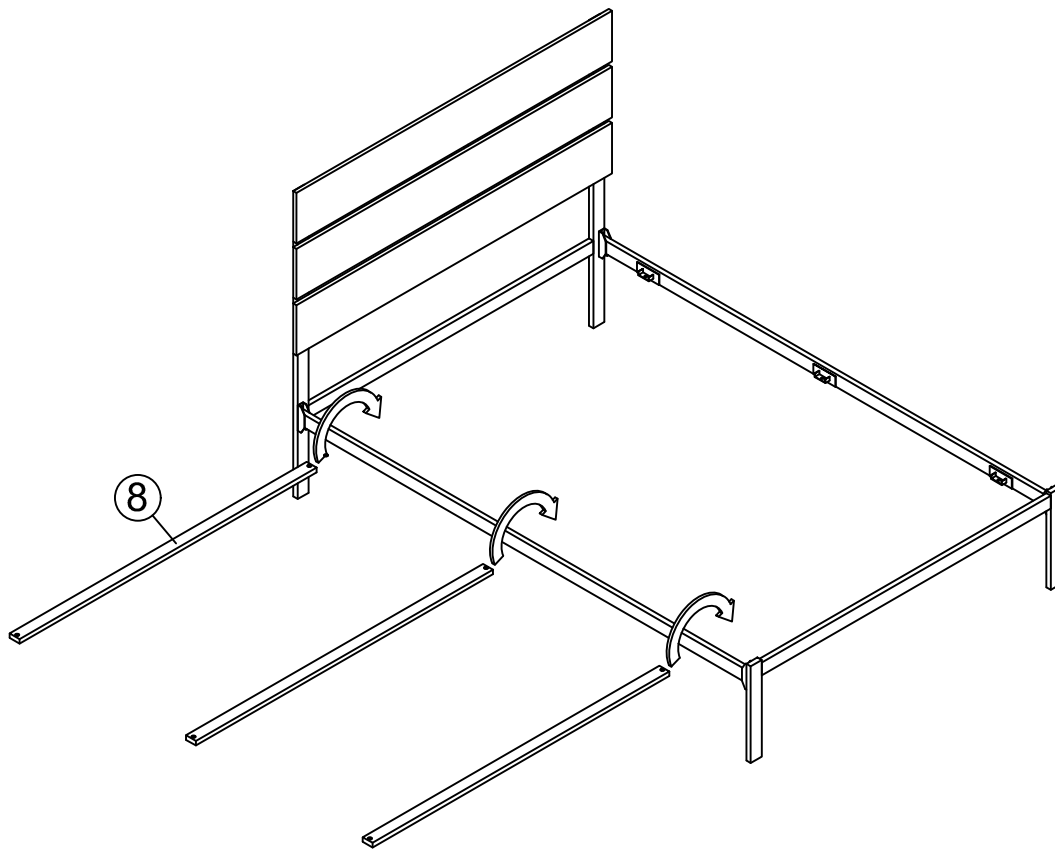


STEP 4

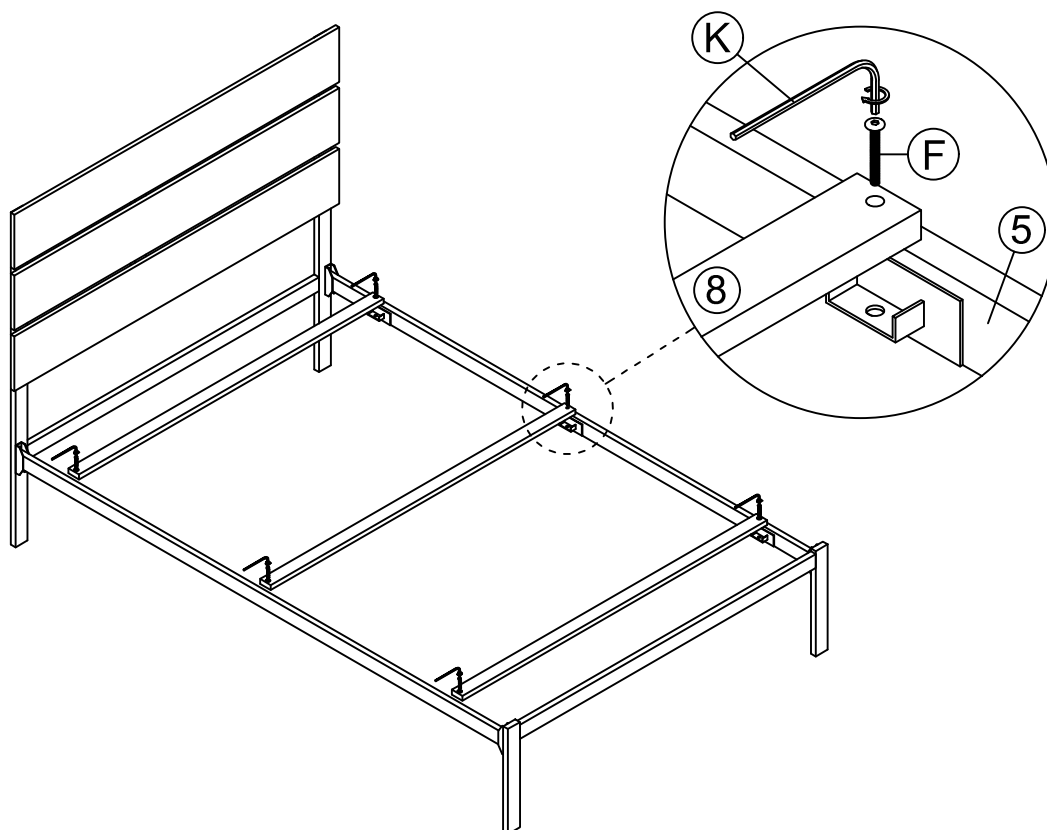


ASSEMBLY INSTRUCTION

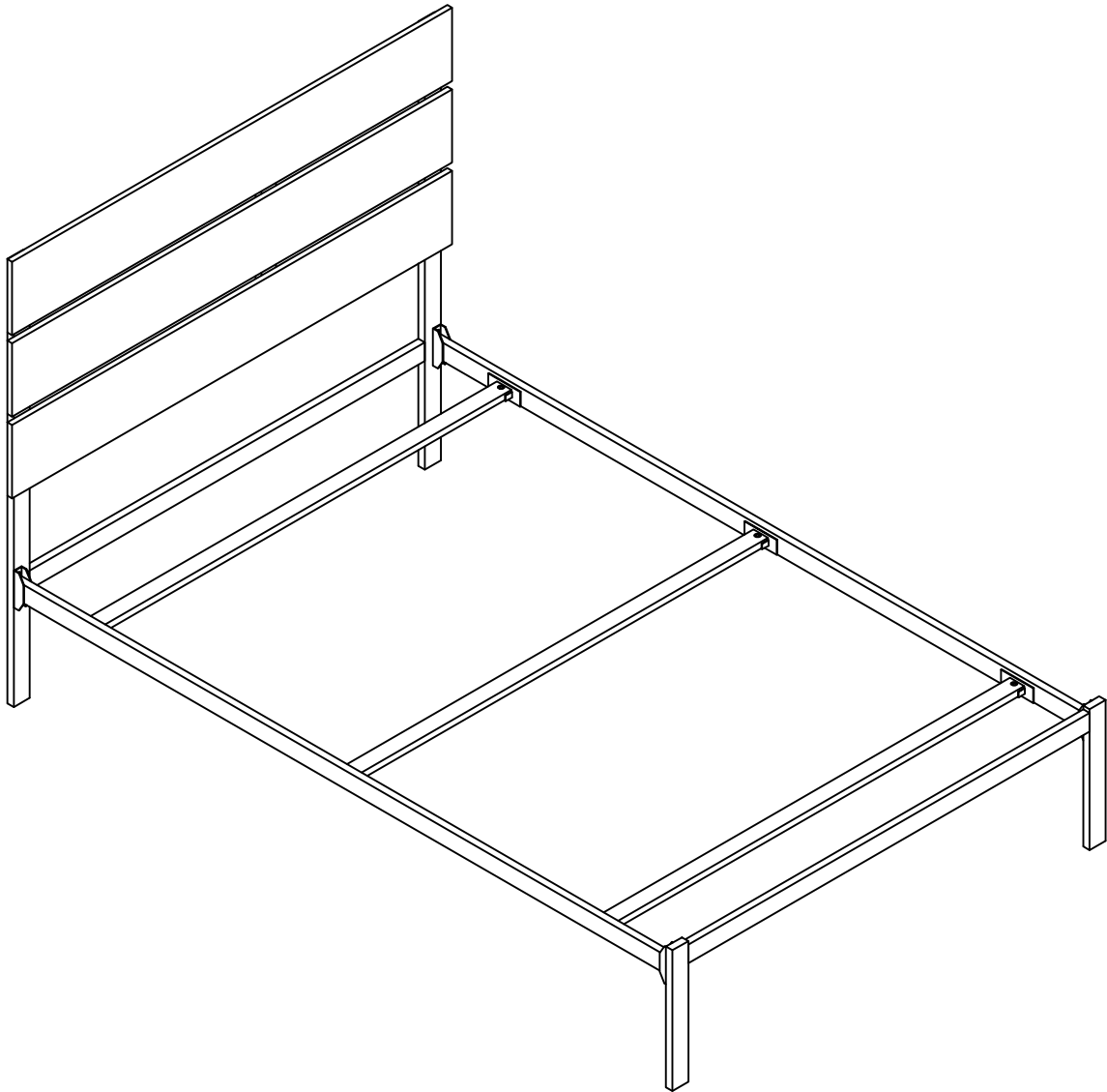
STEP 5



STEP 6



ASSEMBLY INSTRUCTION



ASSEMBLY COMPLETED