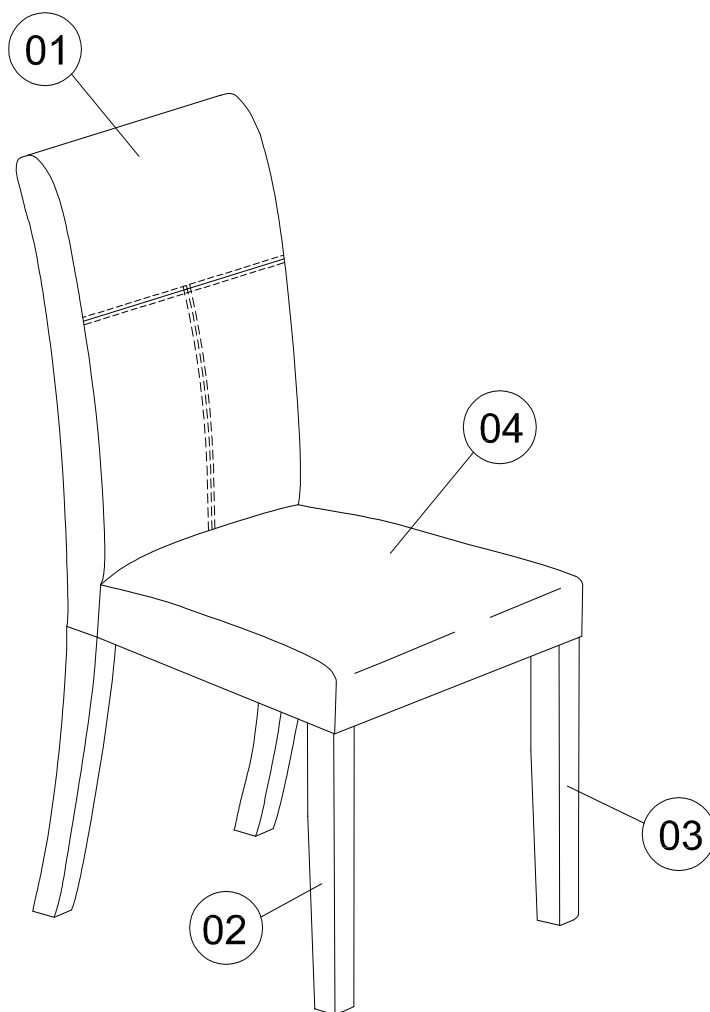
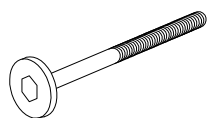


ASSEMBLY INSTRUCTION



Hardware List For Each Chair

(A)



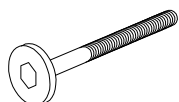
85MM x 4 pcs

(D)



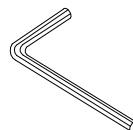
x 8 pcs

(B)



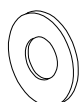
55MM x 5 pcs

(E)



x 1 pc

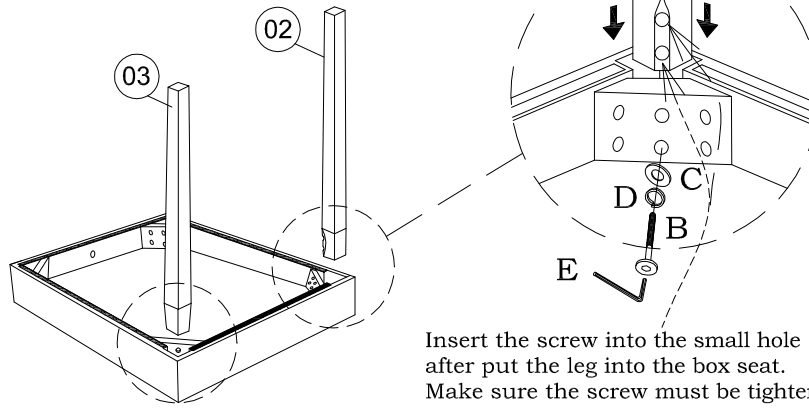
(C)



x 9 pcs

1

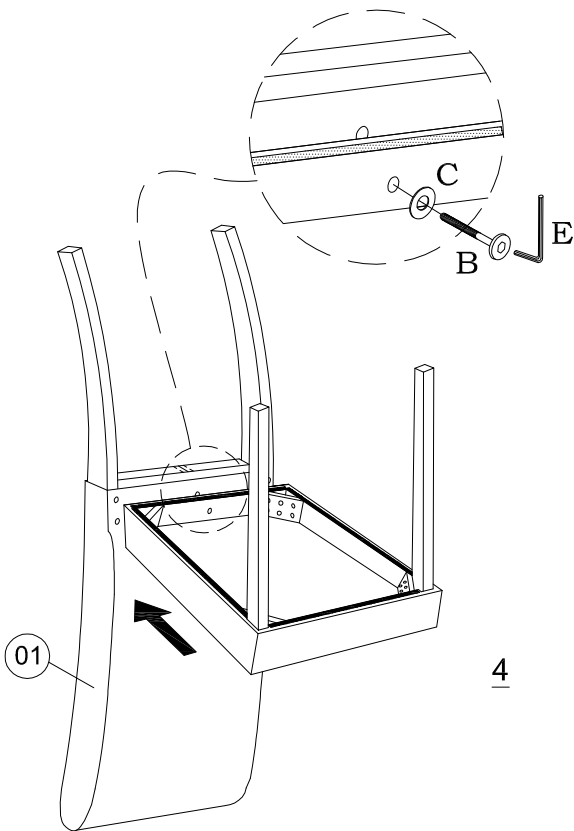
Insert the leg into the box seat.



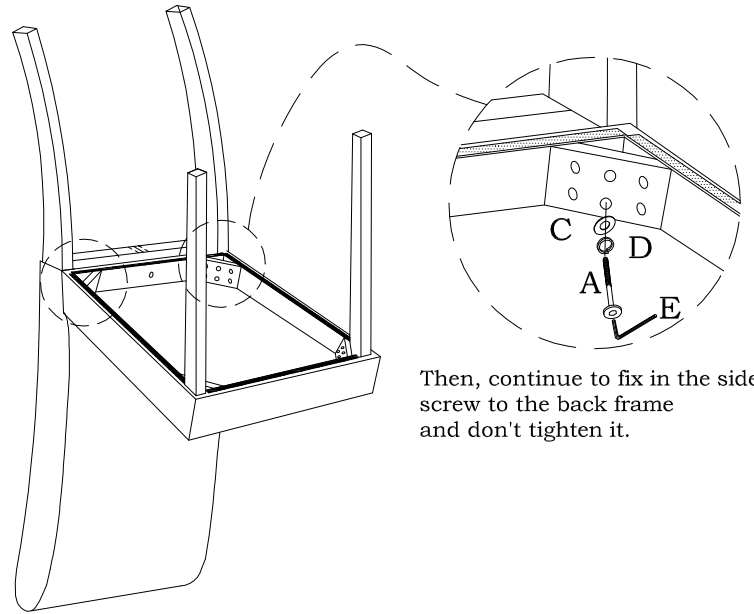
Insert the screw into the small hole after put the leg into the box seat. Make sure the screw must be tighten.

2

Fix the center screw into the back frame and make sure not tighten it.



3



Then, continue to fix in the side screw to the back frame and don't tighten it.

4

After all parts have fix with screw, put the chair on the floor and make it level. Finally tighten all the screw carefully.

