



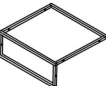

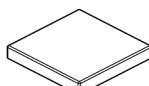
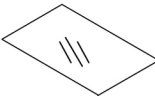
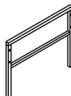
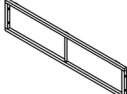
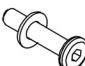

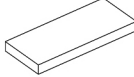
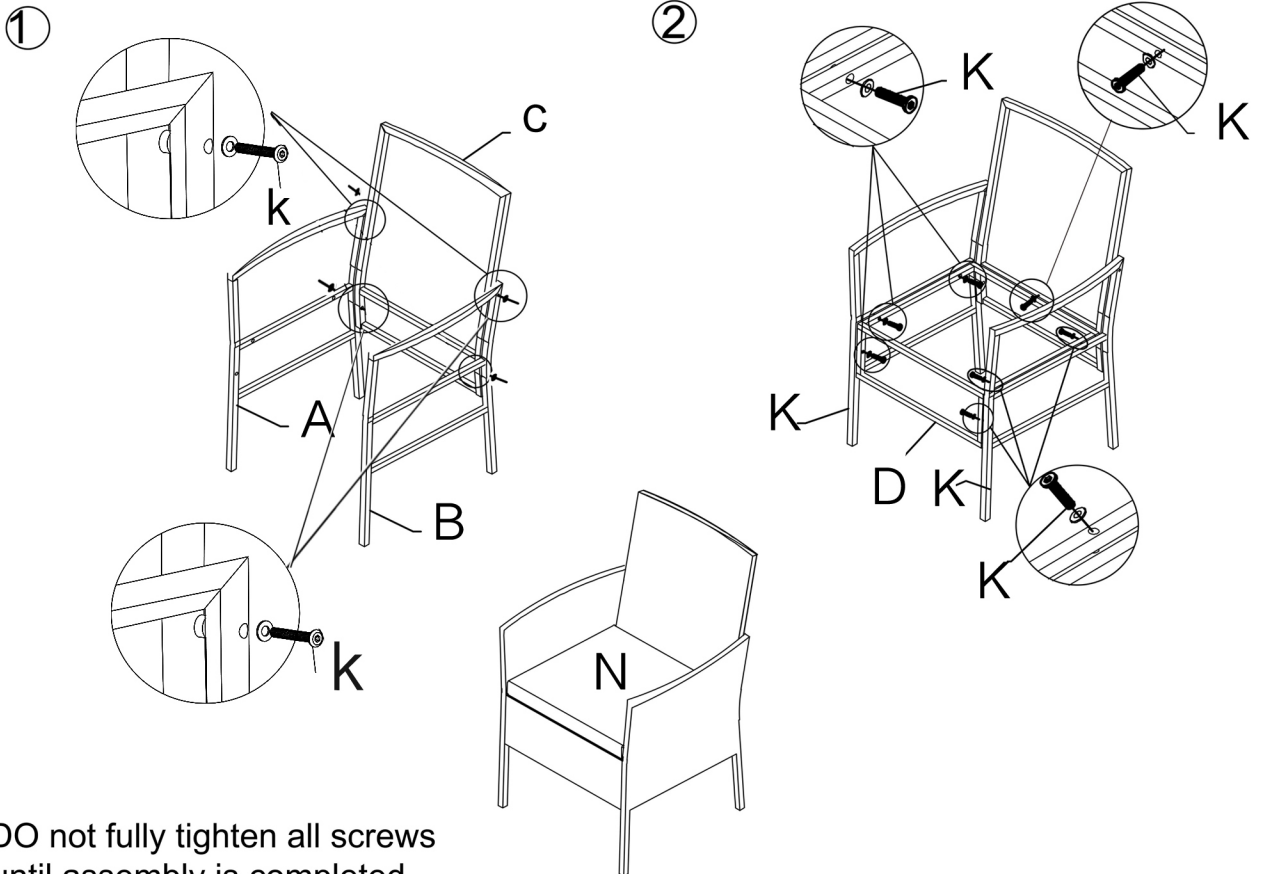
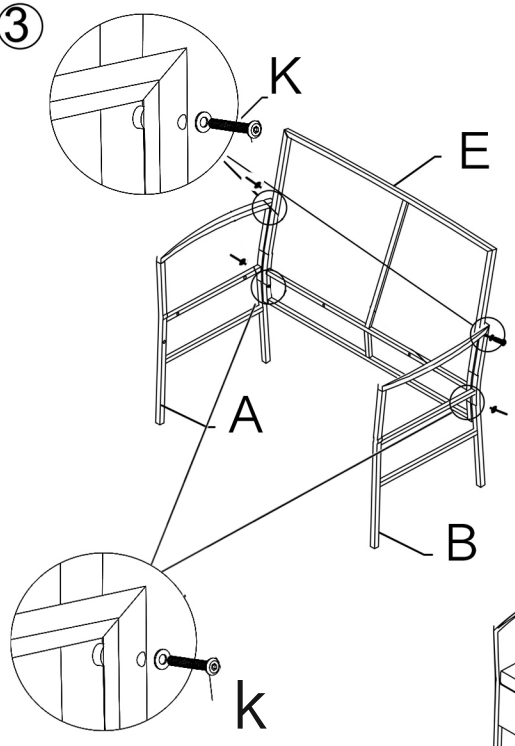


Item no.	Reference Image	Description	Qty.
A		Right Arm Rest	3
B		Left Arm Rest	3
C		Seat Back	2
E		Seat Back	1
D		Seat Base	2
F		Seat Base	1
N			2

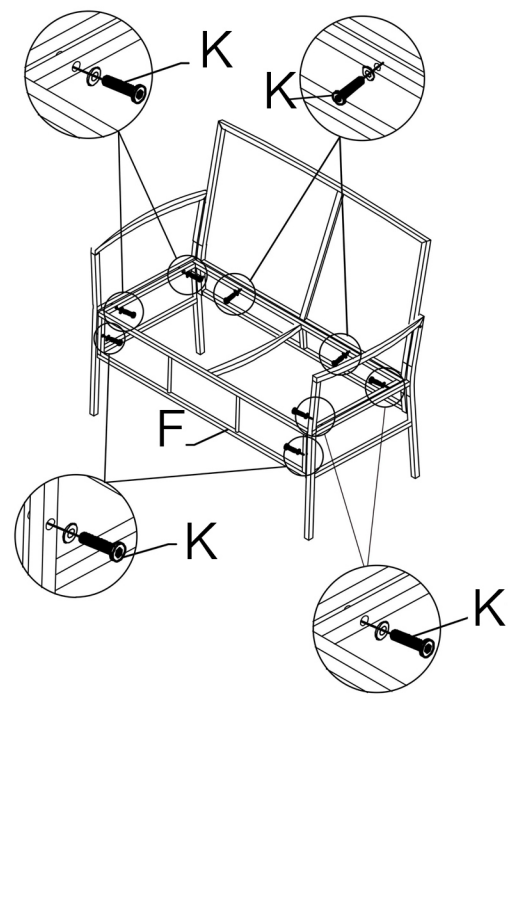
Item no.	Reference Image	Description	Qty.
R		Glass Top	1
G		Table Leg	2
H		Leg Brace	2
K		M6 x 35 Socket Head Cap Screw	42
I		4-mm Allen Key	1
M			1



3

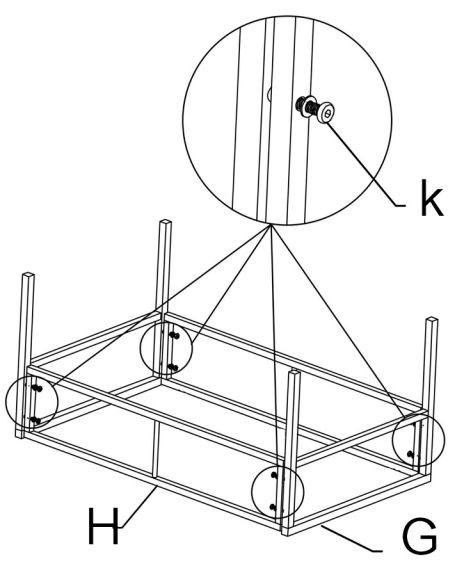


4

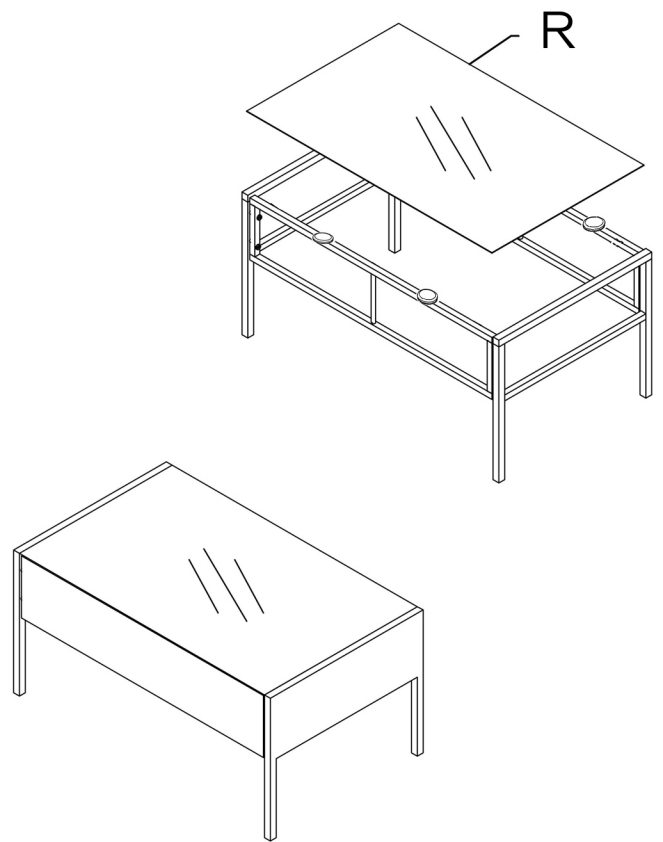


DO not fully tighten all screws until assembly is completed.

5



6



DO not fully tighten all screws until assembly is completed.