

ASSEMBLY INSTRUCTIONS



Fine Furniture for every stage of life

ASSEMBLY INSTRUCTIONS

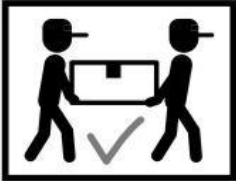
ASSEMBLY TIPS:

1. Remove hardware from box and sort by size.
2. Please check to see that all hardware and parts are present prior to start of assembly.
3. Please follow attached instructions in the same sequence as numbered to assure fast & easy assembly.



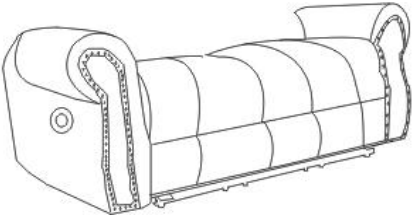
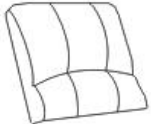



WARNING!

1. Don't attempt to repair or modify parts that are broken or defective. Please contact the store immediately.
2. This product is for home use only and not intended for commercial establishments.



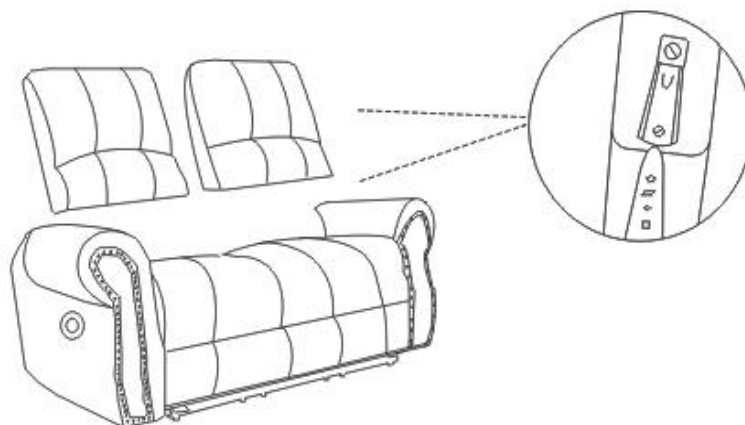
ASSEMBLY TIME PER UNIT 10 MINUTES

PARTS IDENTIFICATION

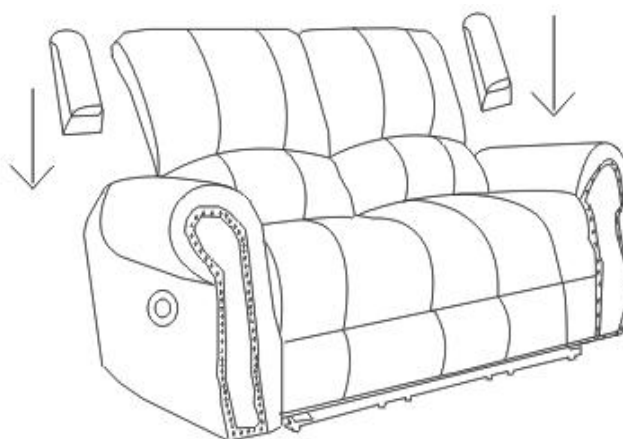
A		BASE	1 PC
B		LEFT BACK REST	1 PC
C		RIGHT BACK REST	1 PC
D		LEFT BACK EAR	1 PC
E		RIGHT BACK EAR	1 PC

ASSEMBLY INSTRUCTIONS

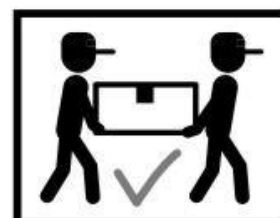
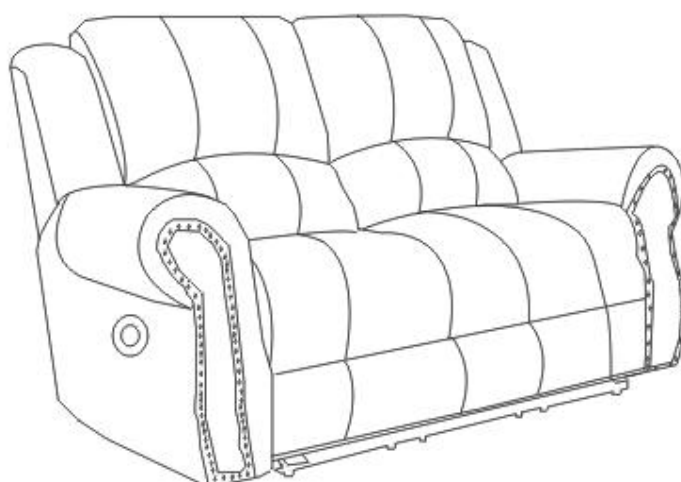
STEP1



STEP2



STEP3





Note : Dimension tolerance $\pm 5\%$