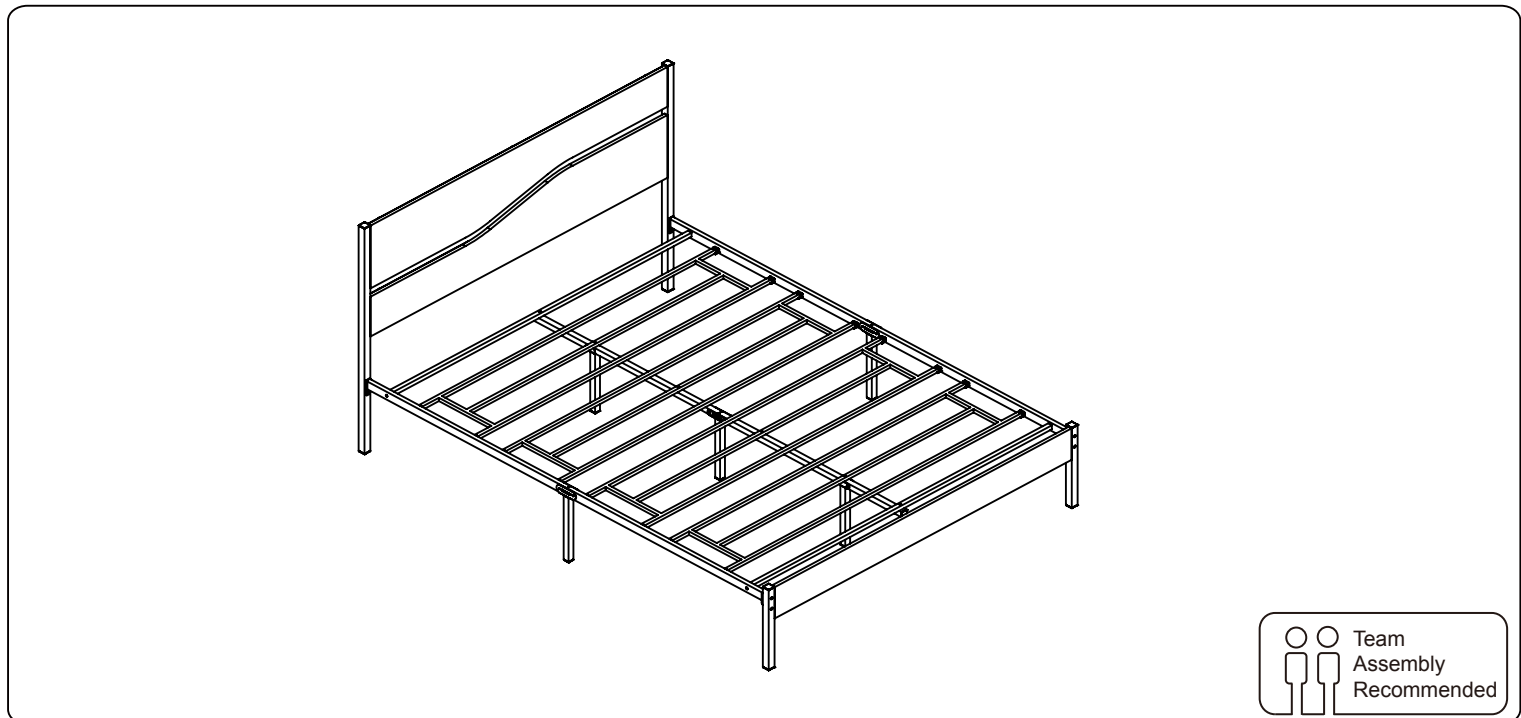


Bed Frame Installation Manual



Componets		Screws & Tools		
	1 x1	(A)	M8x45mm	x4
	2 x1	(B)	M6x50mm	x2
	3 x2	(C)	M6x35mm	x8
	4 x1	(D)	M6x25mm	x24
	5 x1	(E)	M6x20mm	x16
	6 x1	(L)	M8	x8
	7 x1	(M)	M6x20mm	x4
	8 x4	(N)	M4	x2
	9 x2			
	10 x2			

1

Note: For easy setup intention, do not tighten screws during the installation process

(D) M6x25 8pcs (N)

2

(D) M6x25 12pcs (N)

