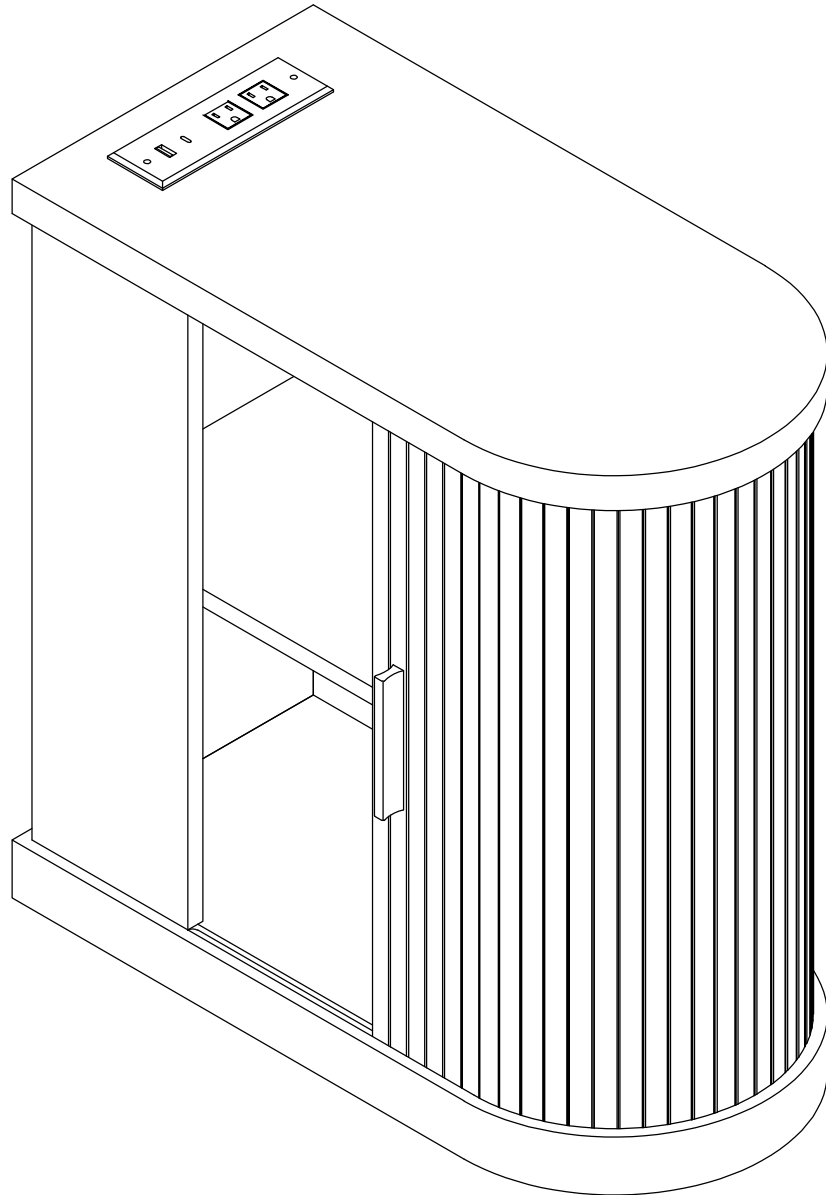


Installation Instruction



Assembling

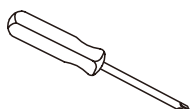
Estimated time for assembly



25 : 00

What you need

- Use the packaging carton as a working surface to prevent product damage during assembly
- Phillips head screwdriver



Weight Limitation



60 | **30**
lbs table top lbs per shelf



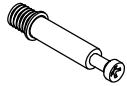
2 PERSONS

What's included

Code	Description	Qty
A	Cam Bolt M6X35MM	10
B	Cam Lock 15X10MM	10
C	Wooden Dowel M6X30MM	18
D	Screw M4X35MM	6
E	Screw M3 X14MM	2
F	Handle	2
G	Bolt M4X16MM	4
H	Metal Support	4
I	Foot Pad	5
J	Power Socket	1

The Hardwares

(A)



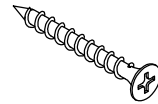
(B)



(C)



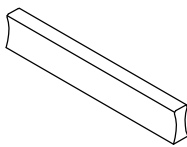
(D)



(E)



(F)



(G)



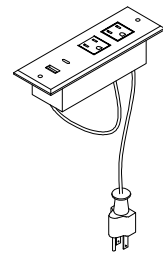
(H)



(I)



(J)



IMPORTANT:

1. Do not tighten bolts / screws completely until all bolts / screws are lined up and inserted into holes.
2. Do not over tighten screws and bolts to avoid stripping.
3. Please use hand tools to assemble this product. Do not use power tools.
4. Must need 2 people to assemble this product.

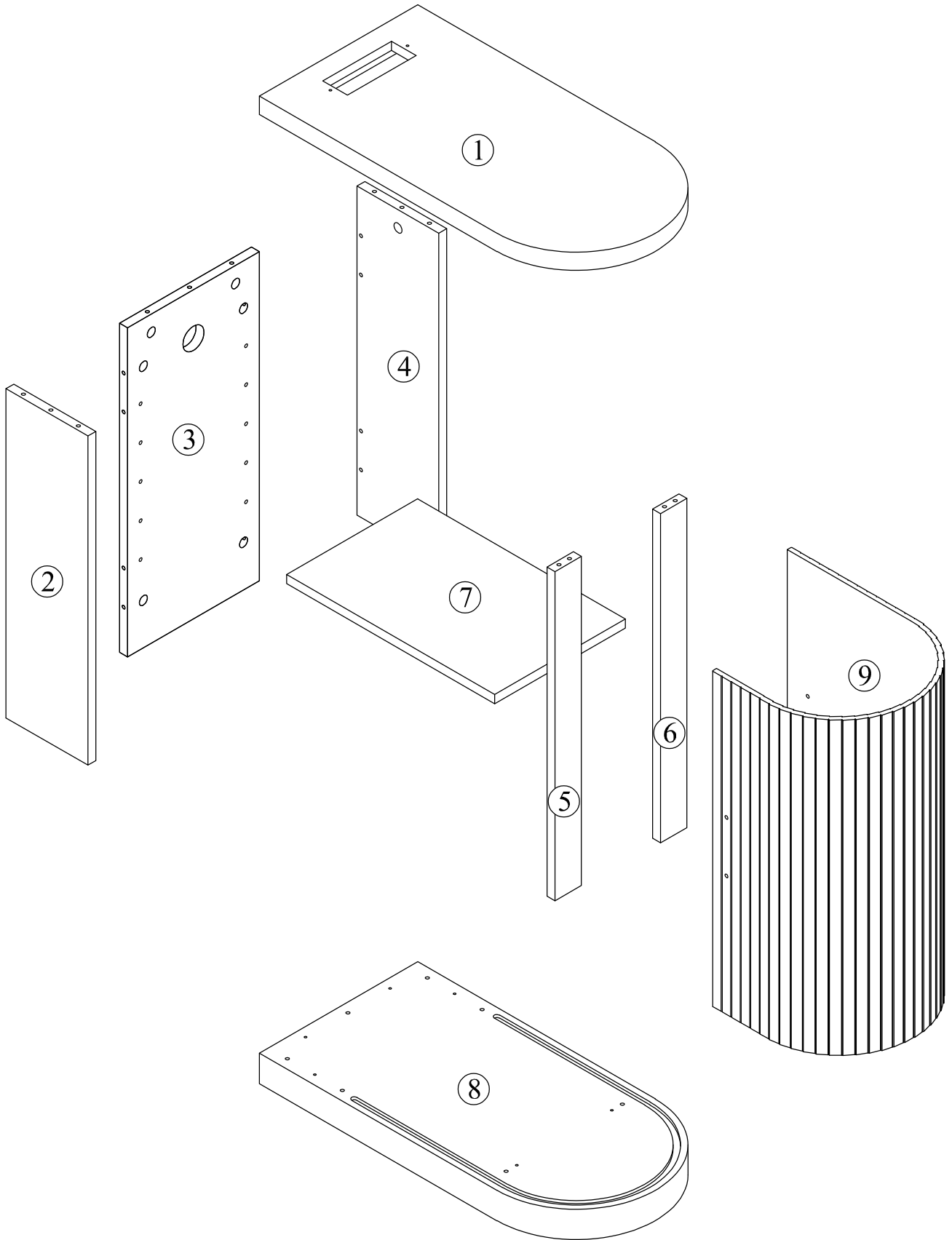


2 PERSONS

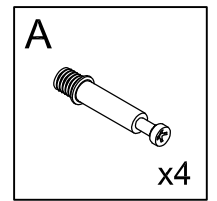
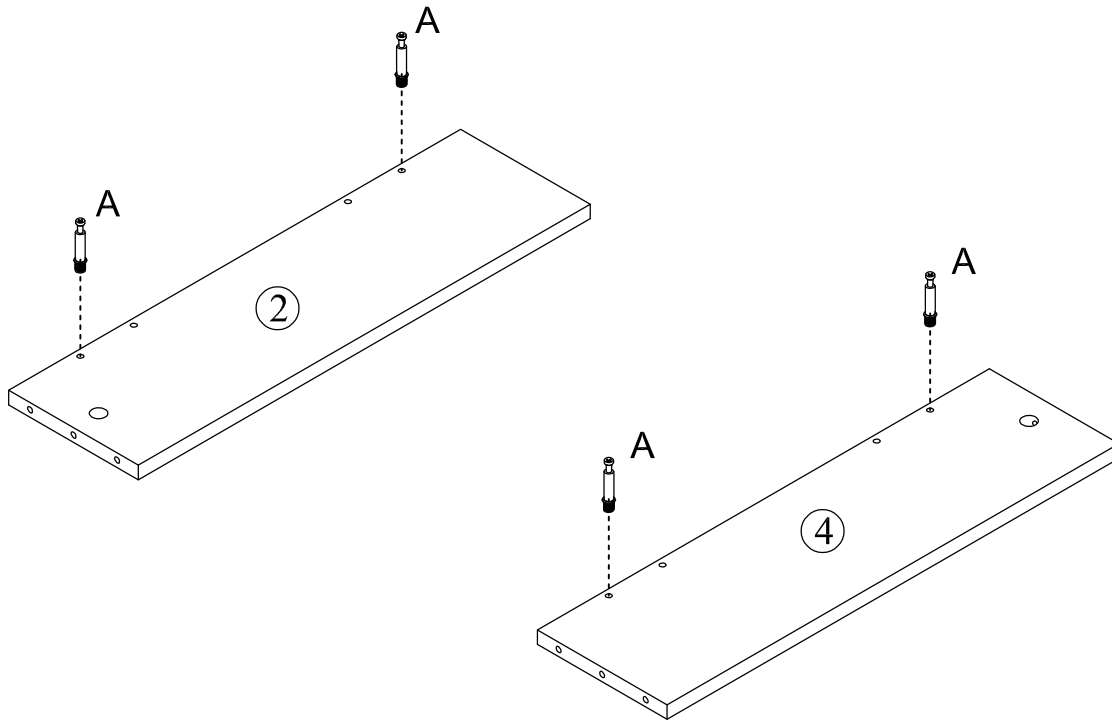
Included Accessories

Code	Description	Qty
1	Cabinet Top	1
2	Left Front Panel	1
3	Left Side Panel	1
4	Left Back Panel	1
5	Right Front Support Panel	1
6	Right Back Support Panel	1
7	Shelf	1
8	Bottom Panel	1
9	Door	1

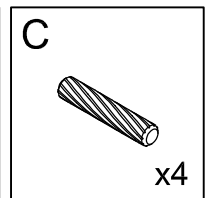
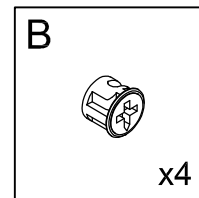
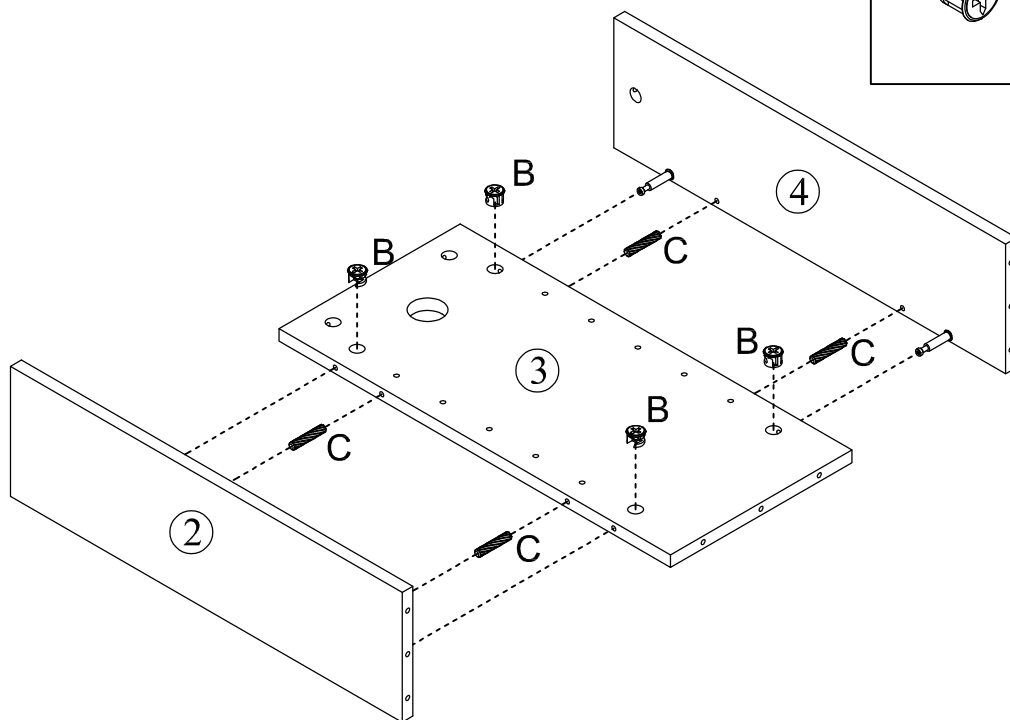
The Accessoriess



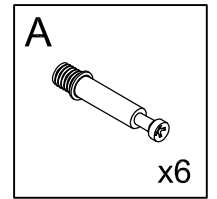
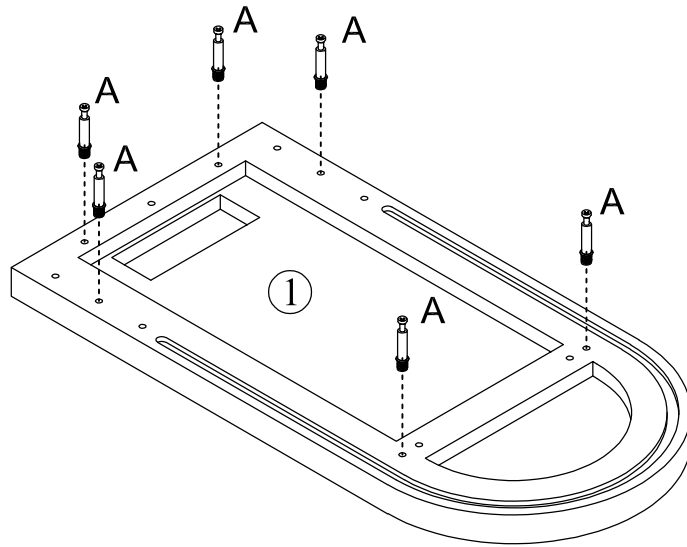
STEP 1



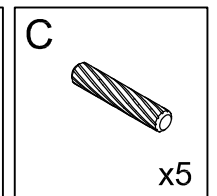
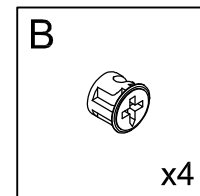
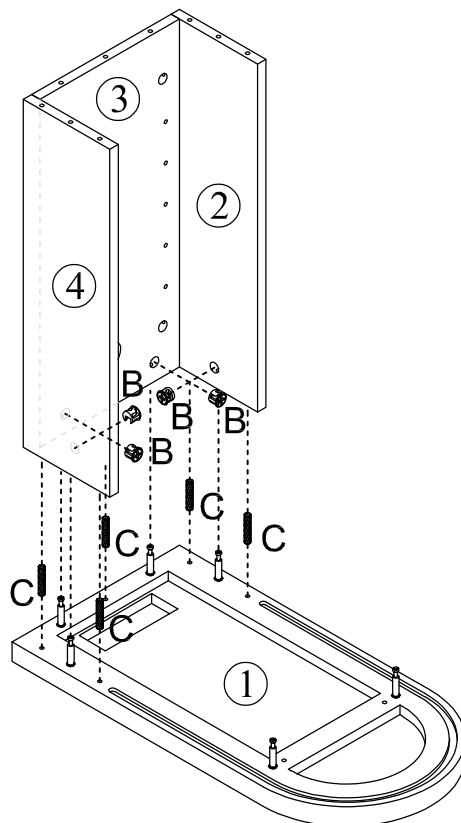
STEP 2



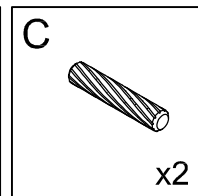
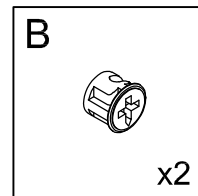
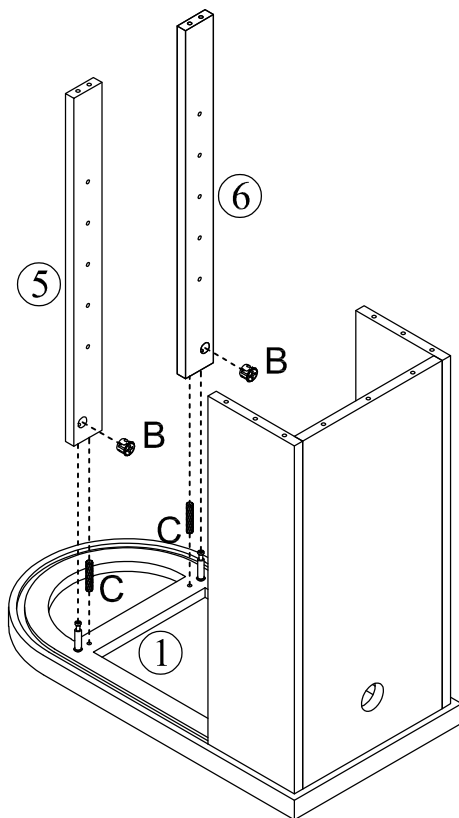
STEP 3



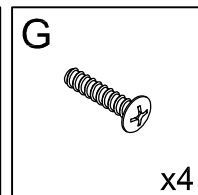
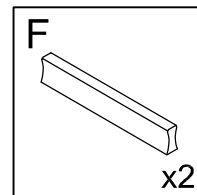
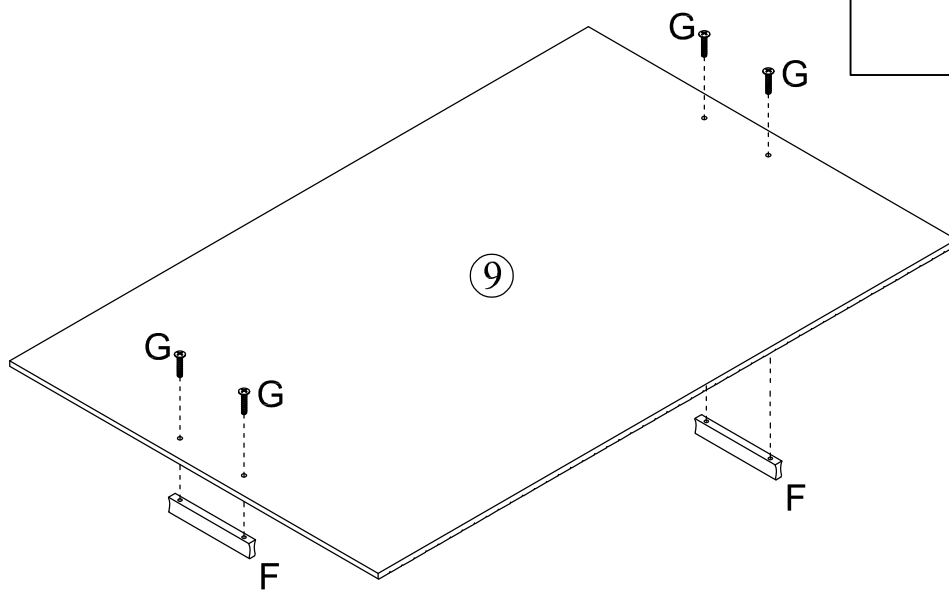
STEP 4



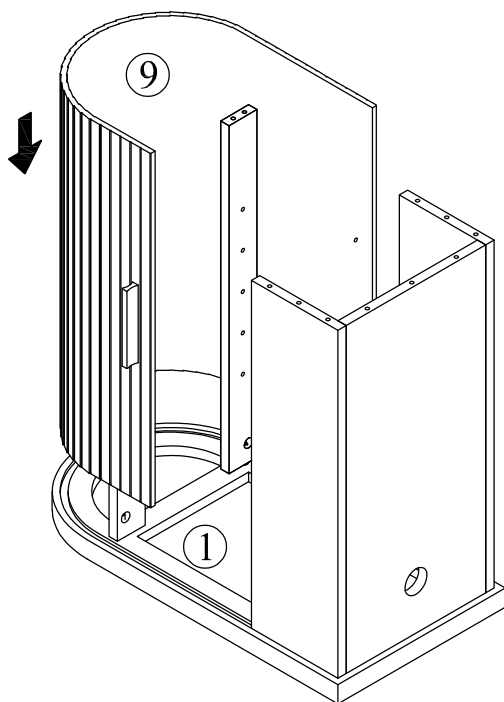
STEP 5



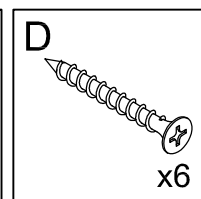
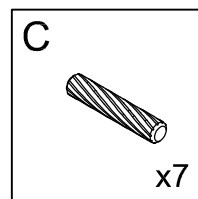
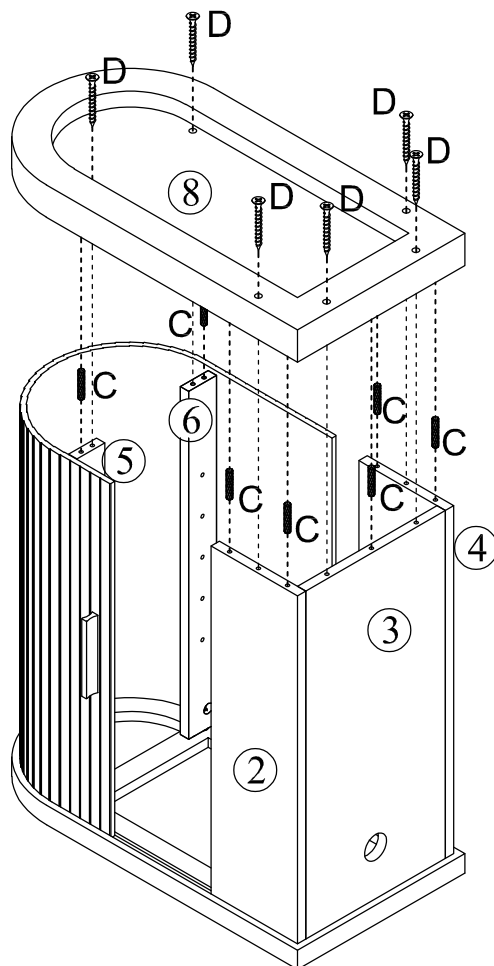
STEP 6



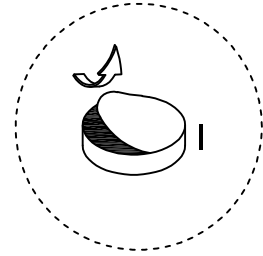
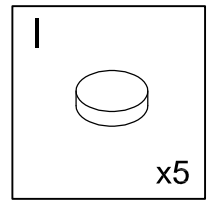
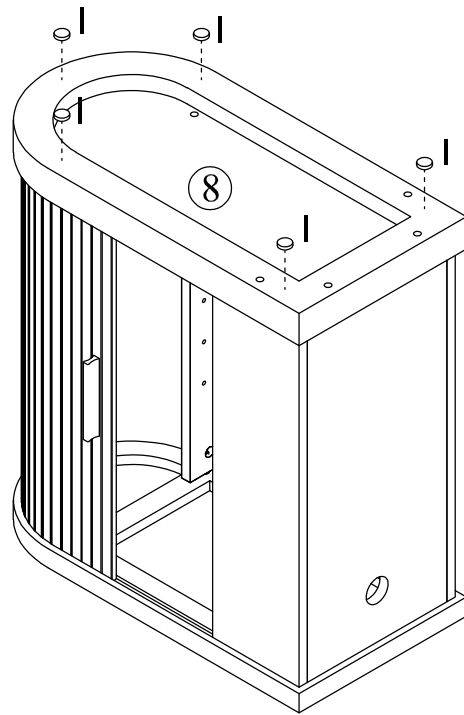
STEP 7



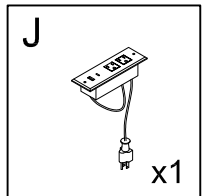
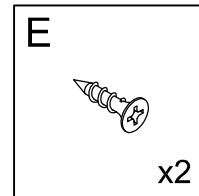
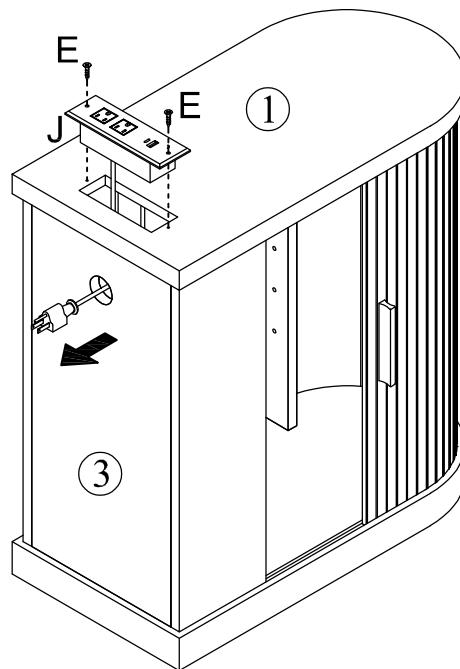
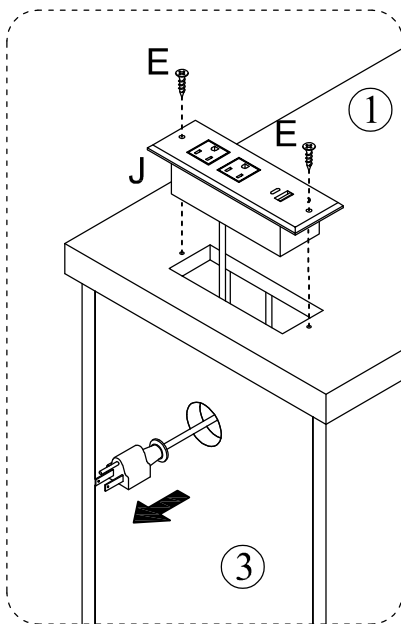
STEP 8



STEP 9



STEP 10



STEP 11

