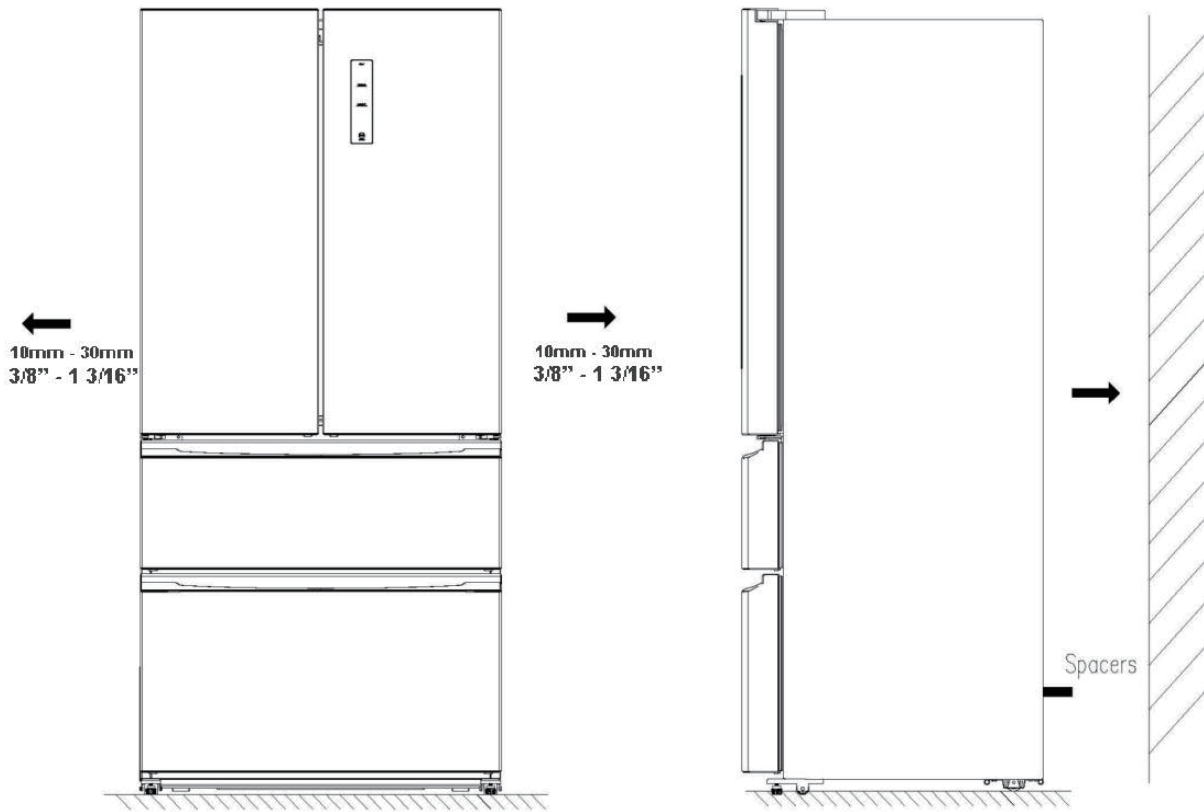


Model Size	Height Overall	Overall Cab Height (Including Rollers )	Overall Top Door Freezer to Rollers)	Refrigerator Door Height	Freezer Door Height	Cabinet Width	Middle of the Freezer
CCRF1890KW CCRF1890KB CCRF1890KS	71½" (1816 mm)	70¾" (1794 mm)	71⅞" (1820 mm)	38⅞" (988 mm)	32⅜" (820 mm)	32⅞" (833 mm)	26⅝" (670 mm)

**Note:** Millimeter dimensions are actual. Fractional inch dimensions are derived by rounding off to the nearest 1/10 inch.

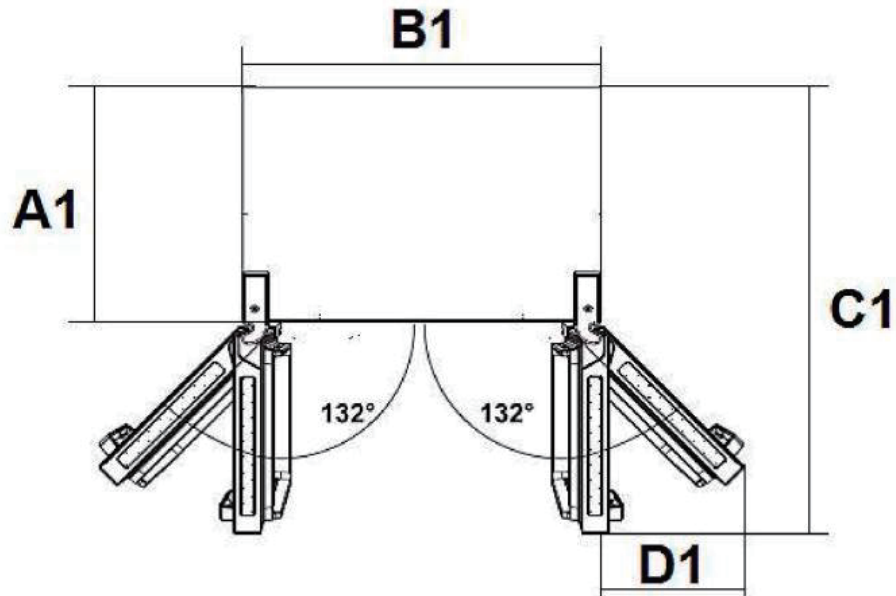
## Minimum distances



**NOTE:** Observe the required minimum distances for proper ventilation

<b>MINIMUM DISTANCES REQUIRED FOR PROPER VENTILATION:</b>	
Back ↔ Wall	Min. 50mm (2")
Side ↔ Wall	Min. 30cm (11.8")
Door opening angle	Min. 132°

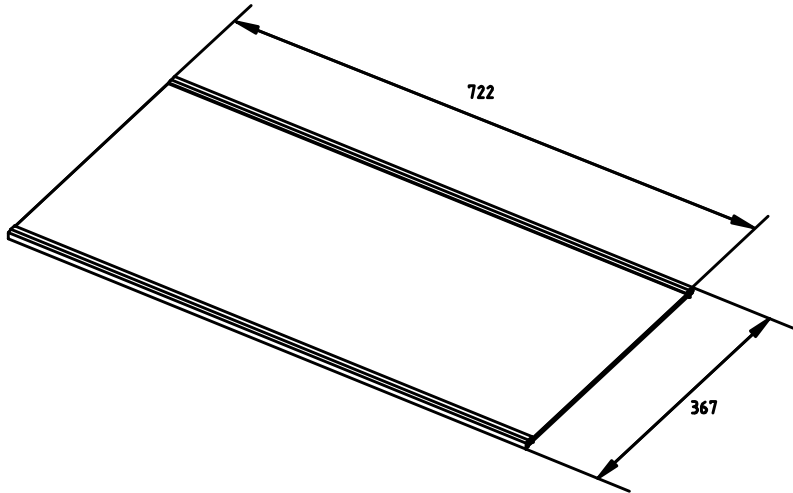
**SPACE REQUIREMENT INCL, MINIMUM DISTANCES FOR PROPER VENTILATION:**



A1 = Depth/B1 = Width/C1 = Depth (when the doors are open)/D1 = Space requirement of the doors

A1	B1	C1	D1
Min. 620mm (24.4")	Min. 870mm (34.2")	Min. 1038mm (40.9")	Min. 300mm (11.8")
Door opening angle: Min.132°			

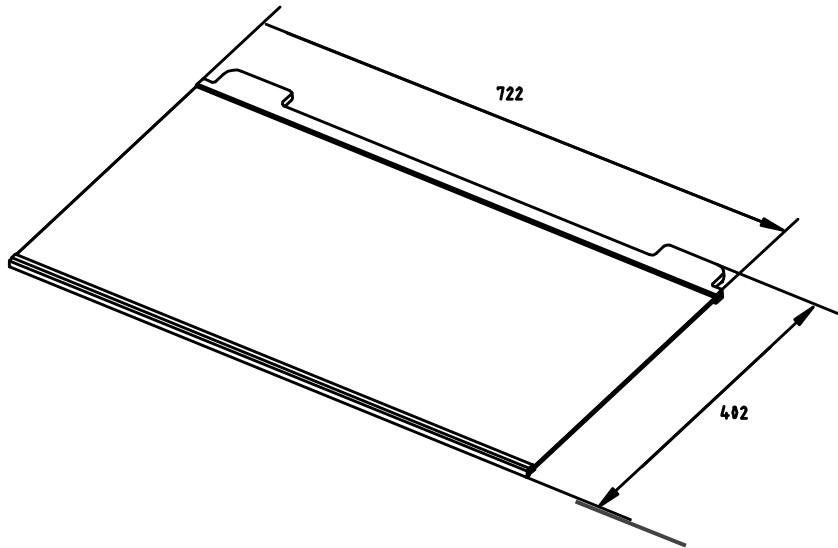
**NOTE:** These minimum distances may be less, but to do so can increase the power consumption of the appliance.



Models: CCRF1890KW, CCRF1890KB, CCRF1890KS

## Refrigerator Shelves

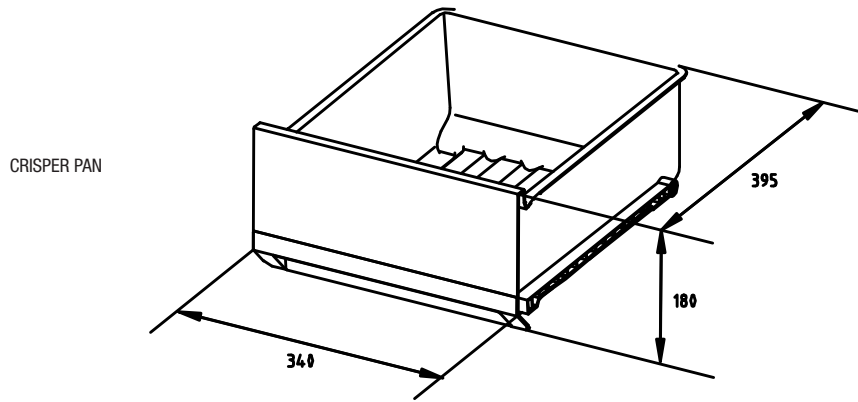
Refrigerator Compartment Features			
Description	Width	Depth	Height
REFRIGERATOR GLASS SHELF	28 <sup>2</sup> / <sub>5</sub> " (722 mm)	14 <sup>2</sup> / <sub>5</sub> " (367 mm)	N/A



Models: CCRF1890KW, CCRF1890KB, CCRF1890KS

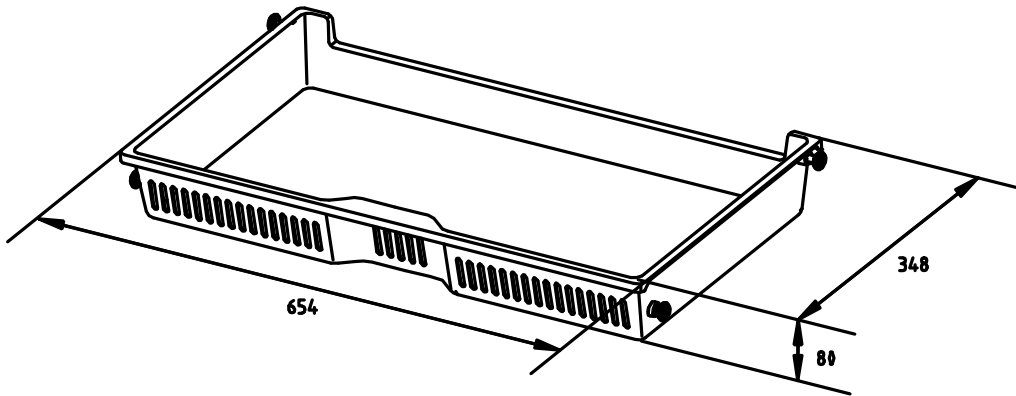
## Refrigerator Crisper Lid

Refrigerator Compartment Features			
Description	Width	Depth	Height
REFRIGERATOR CRISPER LID	28 <sup>2</sup> / <sub>5</sub> " (722 mm)	15 <sup>4</sup> / <sub>5</sub> " (402 mm)	N/A



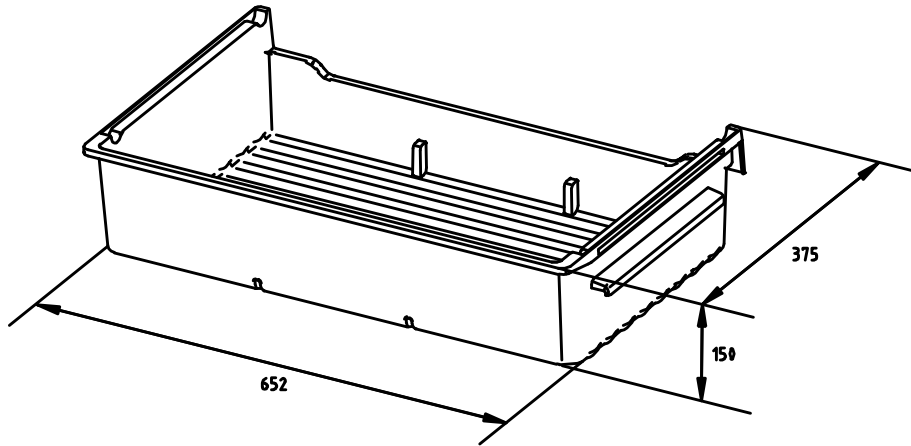
Models: CCRF1890KW, CCRF1890KB, CCRF1890KS

Refrigerator Compartment Features			
Description	Width	Depth	Height
CRISPER PAN	13 <sup>2</sup> / <sub>5</sub> " (340 mm)	15 <sup>3</sup> / <sub>5</sub> " (395 mm)	7 1/ <sub>10</sub> " (180 mm)



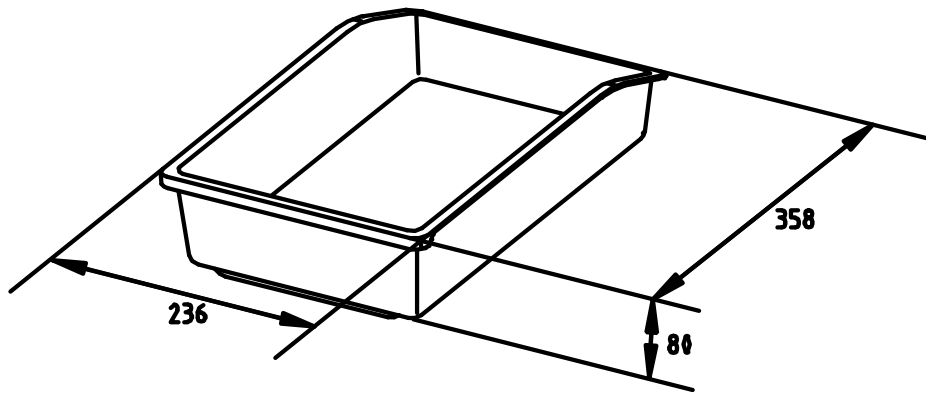
## Freezer Middle Drawer Tray

Freezer Compartment Features			
Description	Width	Depth	Height
FREEZER MIDDLE DRAWER TRAY	25 <sup>7</sup> / <sub>10</sub> " (654 mm)	13 <sup>7</sup> / <sub>10</sub> " (348 mm)	3 1/ <sub>5</sub> " (80 mm)



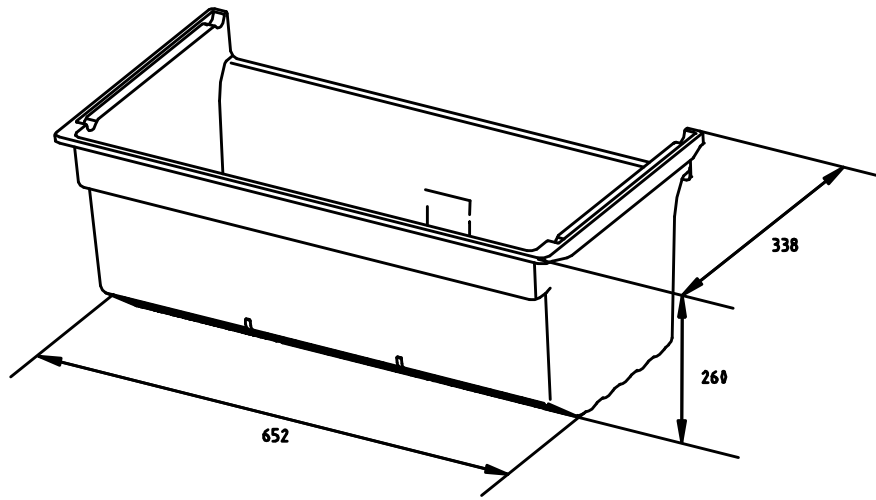
### Freezer Middle Drawer

Freezer Compartment Features			
Description	Width	Depth	Height
FREEZER MIDDLE DRAWER	25 <sup>7</sup> / <sub>10</sub> " (652 mm)	14 <sup>4</sup> / <sub>5</sub> " (375 mm)	5 <sup>9</sup> / <sub>10</sub> " (150mm)



### Freezer Bottom Drawer Tray

Freezer Compartment Features			
Description	Width	Depth	Height
FREEZER BOTTOM DRAWER TRAY	9 <sup>3</sup> / <sub>10</sub> " (236 mm)	14 <sup>1</sup> / <sub>10</sub> " (358 mm)	3 <sup>1</sup> / <sub>5</sub> " (80mm)



Models: CCRF1890KW, CCRF1890KB, CCRF1890KS

## Freezer Bottom Drawer

Freezer Compartment Features			
Description	Width	Depth	Height
FREEZER BOTTOM DRAWER	25 <sup>7</sup> / <sub>10</sub> " (652 mm)	13 <sup>3</sup> / <sub>10</sub> " (338 mm)	10 <sup>1</sup> / <sub>5</sub> " (260mm)