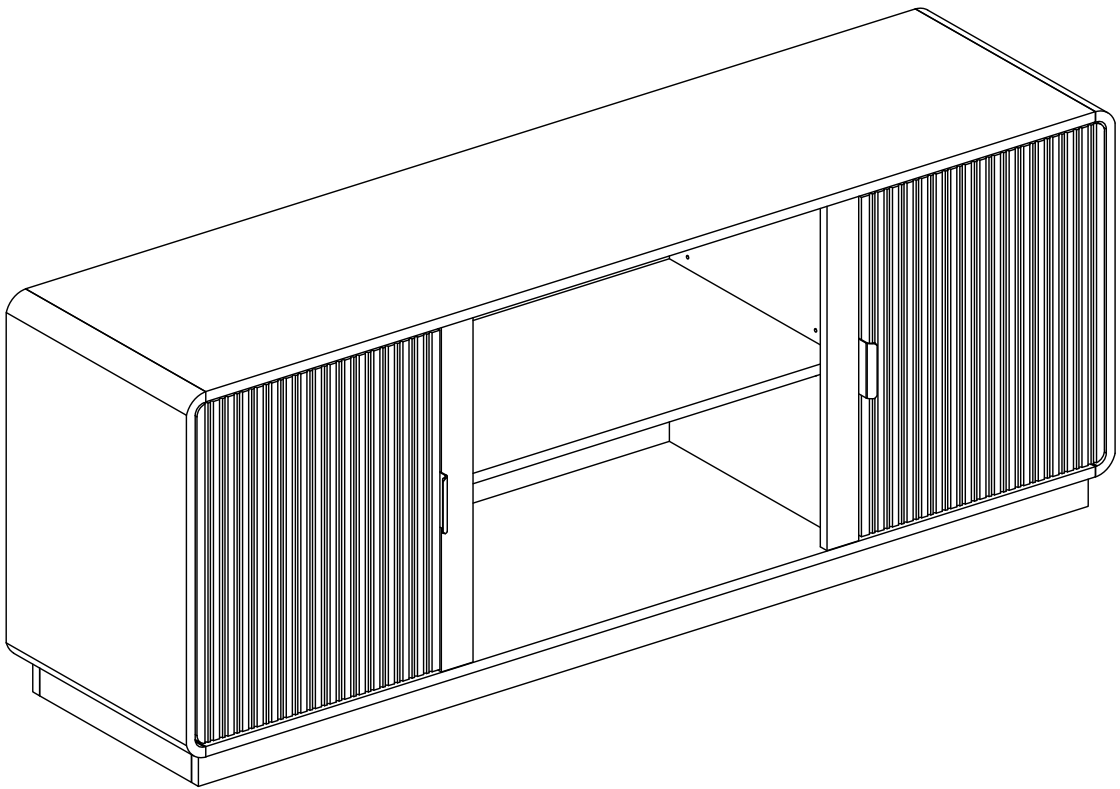


Installation Instruction

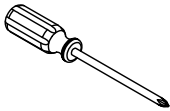


Assembling

What you need

- Use the packaging carton as a working surface to prevent product damage during assembly

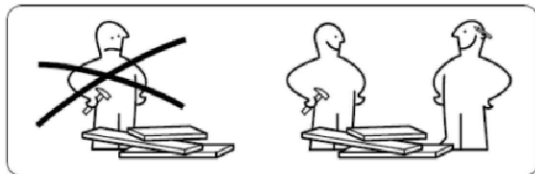
- Phillips head screwdriver



Weight Limitation



100 | 35
lbs table top

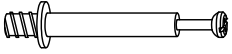


What' included

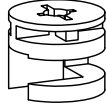
Code	Description	Qty
A	Cam Bolt M6X35MM	44
B	Cam Lock 15X10MM	44
C	Wooden Dowel M8X30MM	36
D	Screw M4X40MM	4
E	Screw M3.0X14MM	16
F	Plastic bumper	2
G	The back button	12
H	Circular hole Decals	14
I	Shelf Holder	12
J	Screw M3.5X14MM	24
K	Hinge	4
L	Metal handle 120X40MM	2
M	EVA Foot mat 15X20MM	8
N	Screw M4X20MM	6

The Hardwares

A



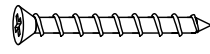
B



C



D



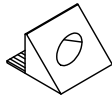
E



F



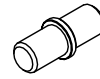
G



H



I



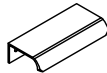
J



K



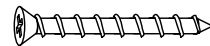
L



M



N



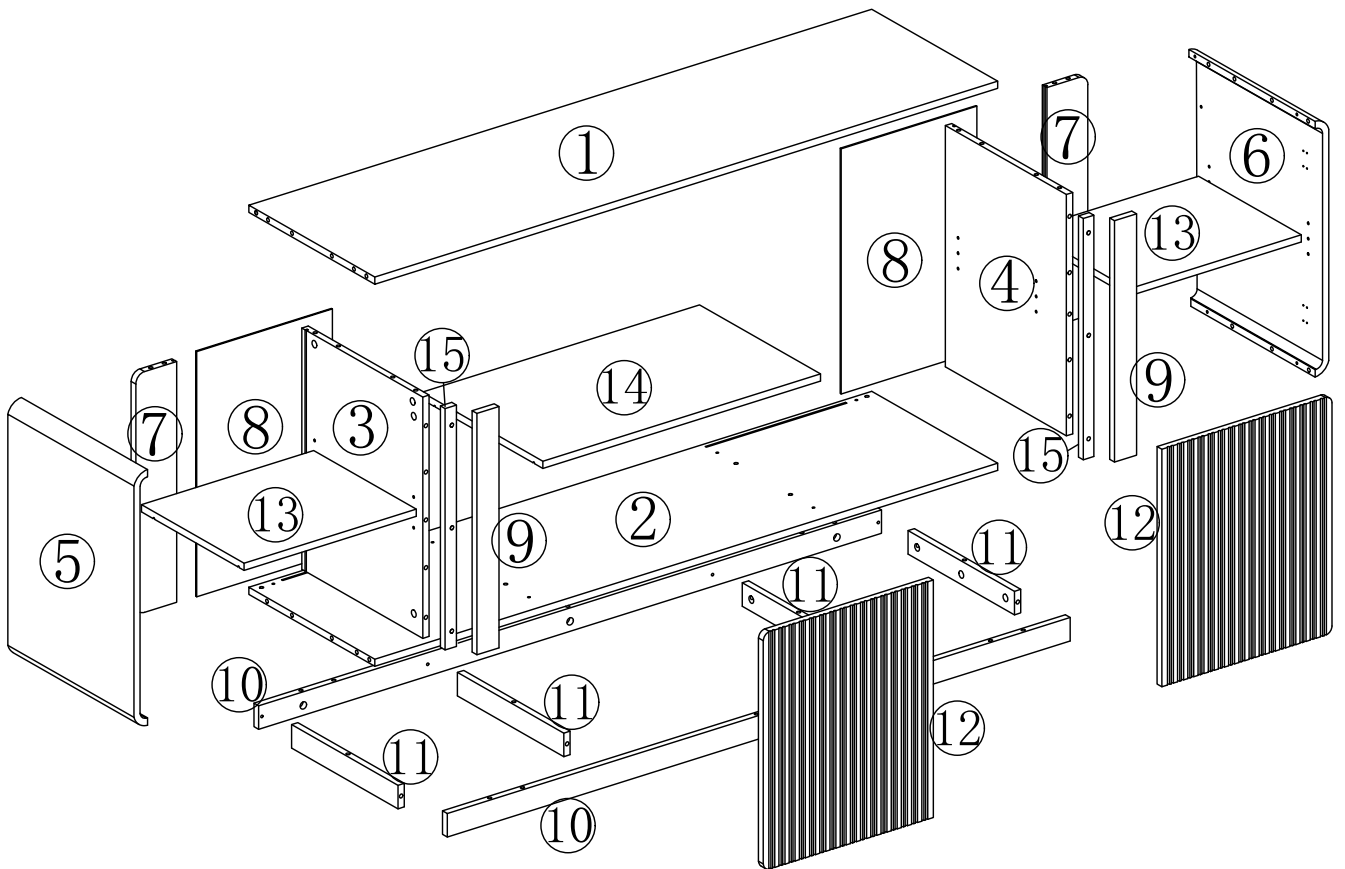
IMPORTANT:

1. Do not tighten bolts / screws completely until all bolts / screws are lined up and inserted into holes.
2. Do not over tighten screws and bolts to avoid stripping
3. Please use hand tools to assemble this product, you can also use power tools (please use power tools carefully).

Included Accessories

Code	Description	
1	Panel	1
2	Bottom plate	1
3	Left side panel	1
4	Right side panel	1
5	Left circular arc plate	1
6	Right side arc plate	1
7	Back pull strap	2
8	Backplate	2
9	Fixed Strips	2
10	Changli Water	2
11	Short-lived water	4
12	Door leaf	2
13	Small activity panel	2
14	Large activity panel	1
15	Fixed strips	2

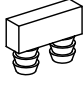
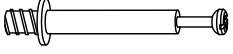
The Accessories

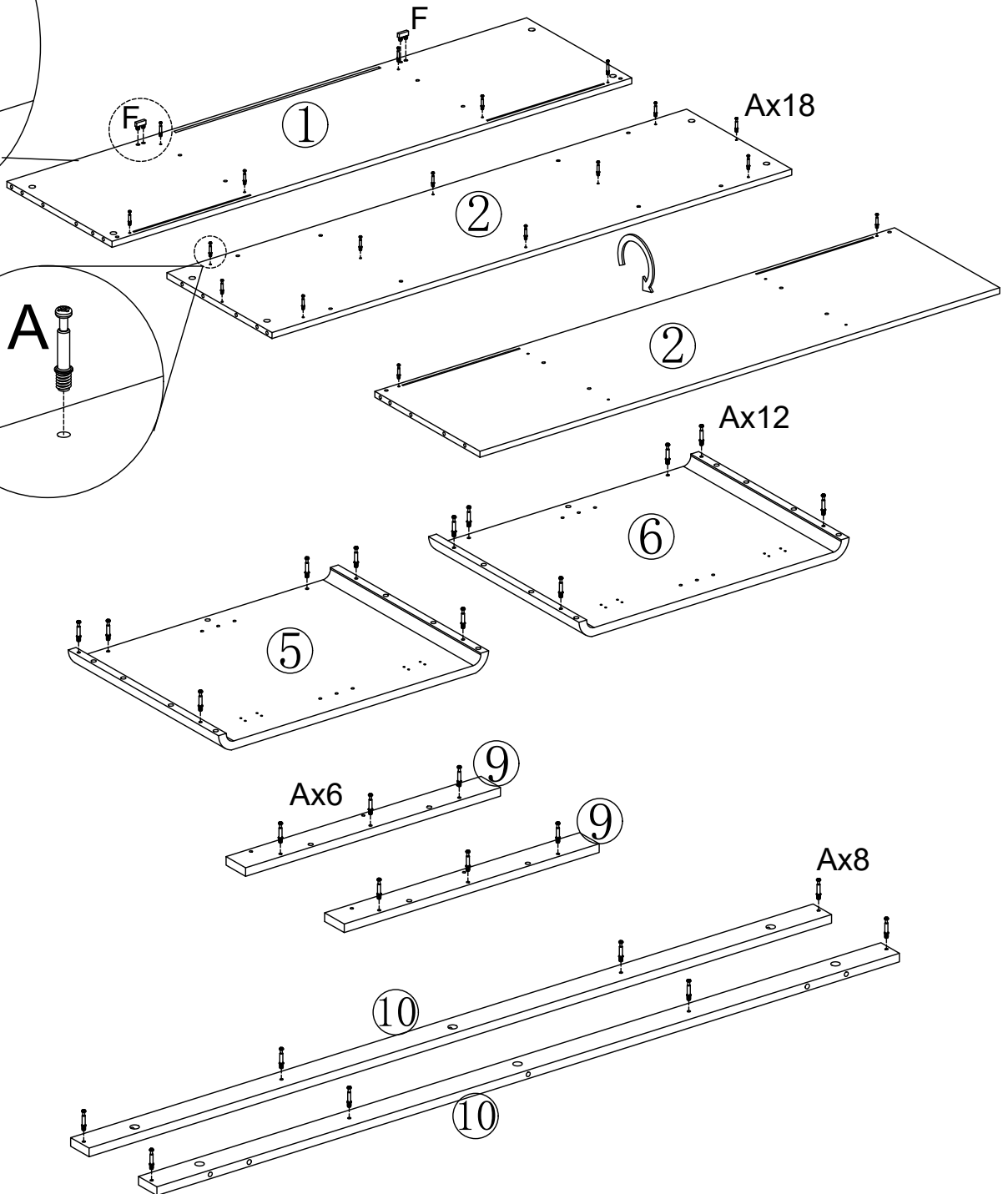
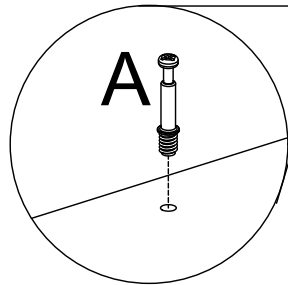
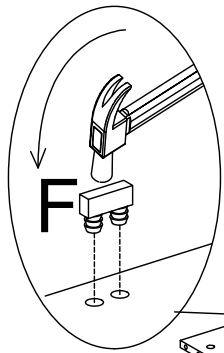




If you have purchased a fireplace mantel cabinet that is paired with this product, please start the installation from step 19.

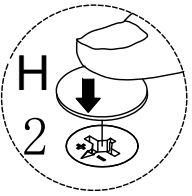
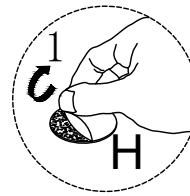
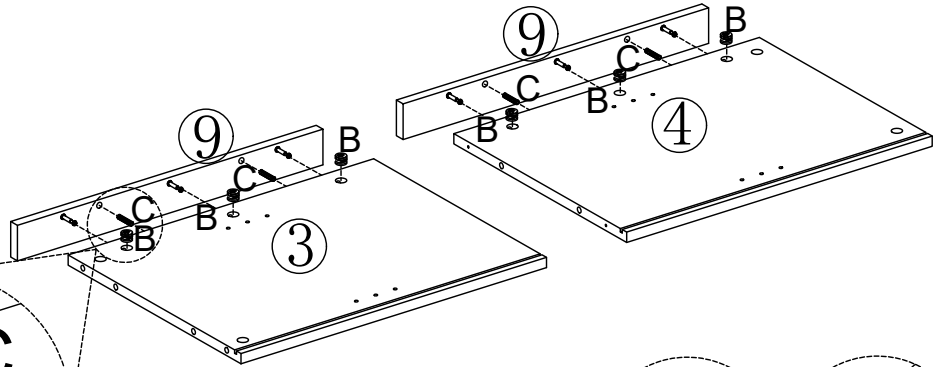
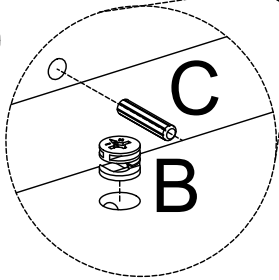
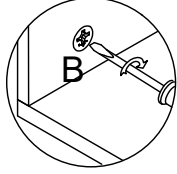
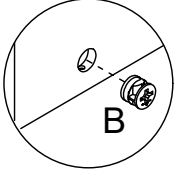
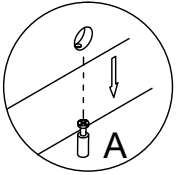
Step 1

F	x2	A	x44
			



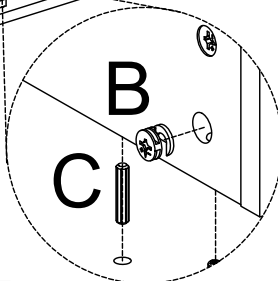
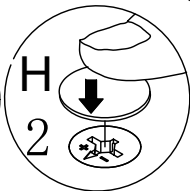
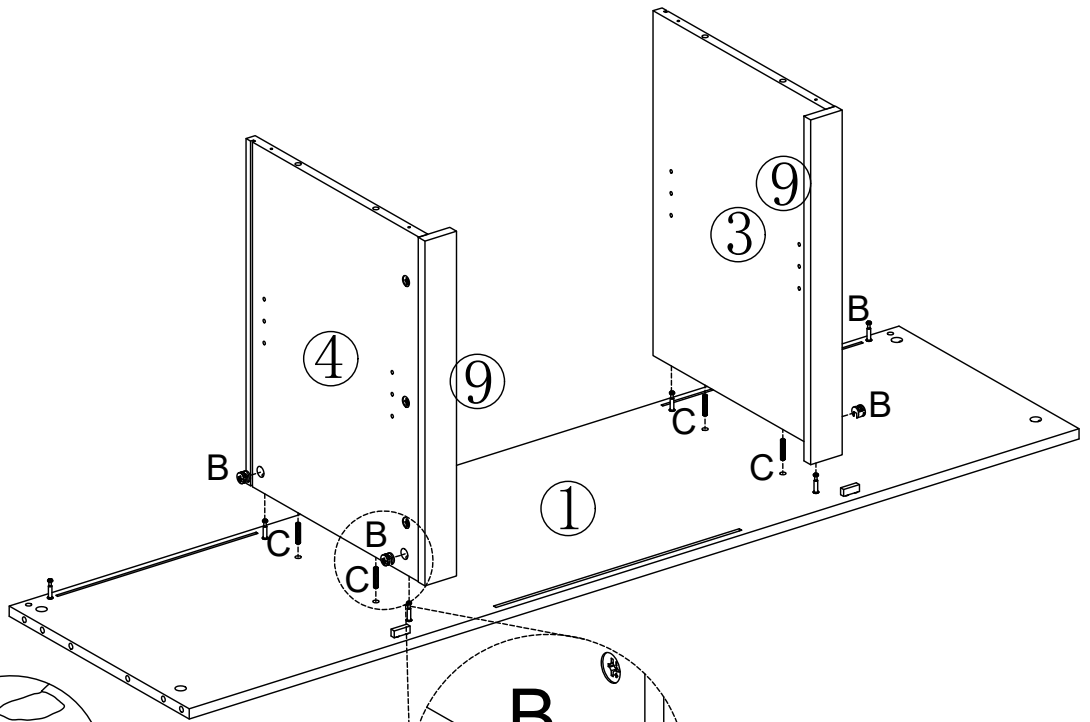
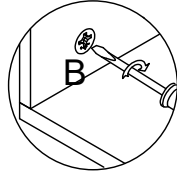
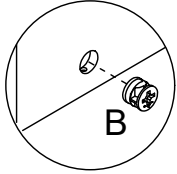
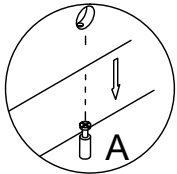
Step 2

H	x6	B	x6	C	x4





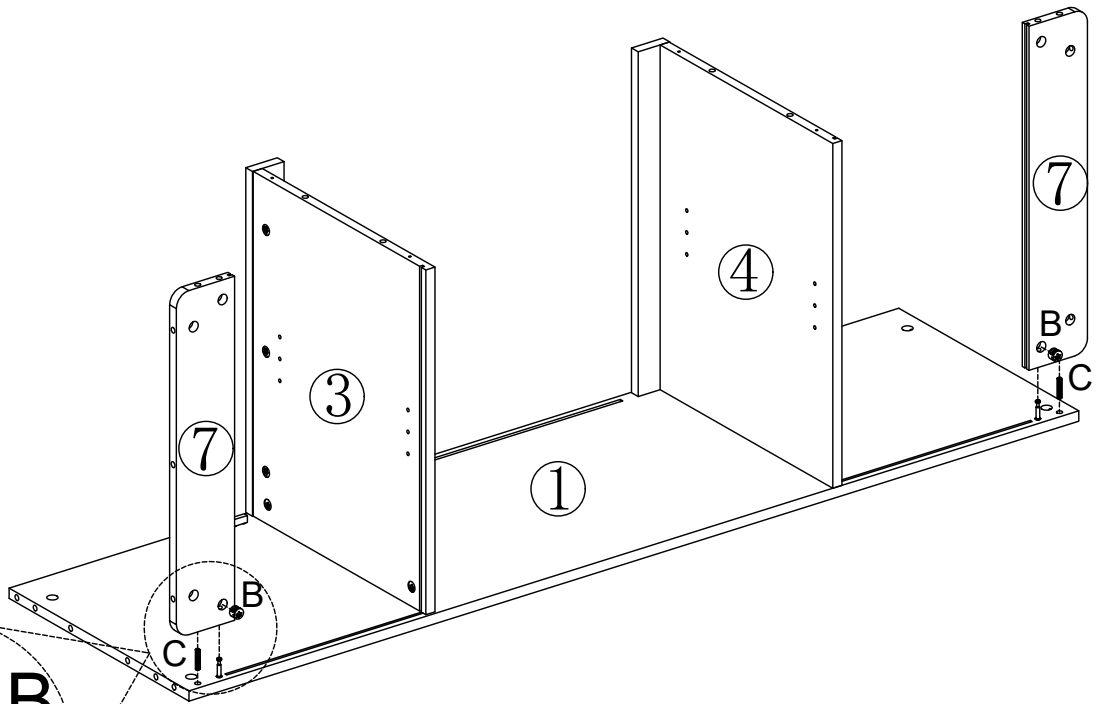
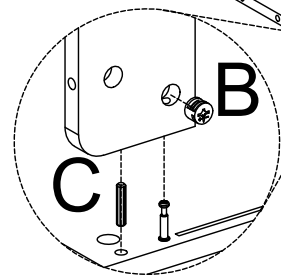
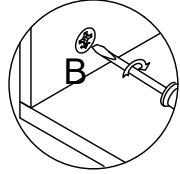
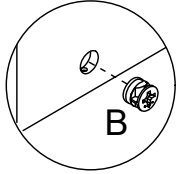
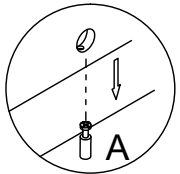
Step 3

H	x4	B	x4	C	x4

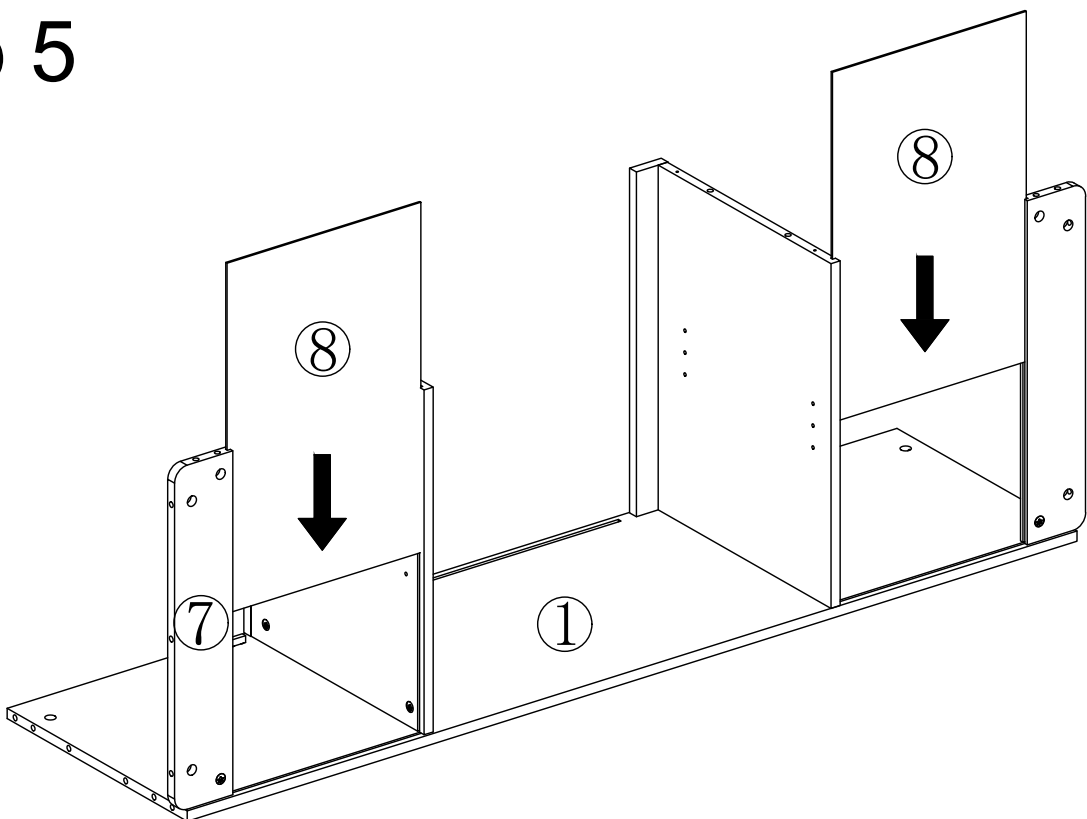


Step 4

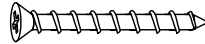
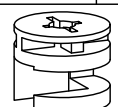

C	x2	B	x2
			

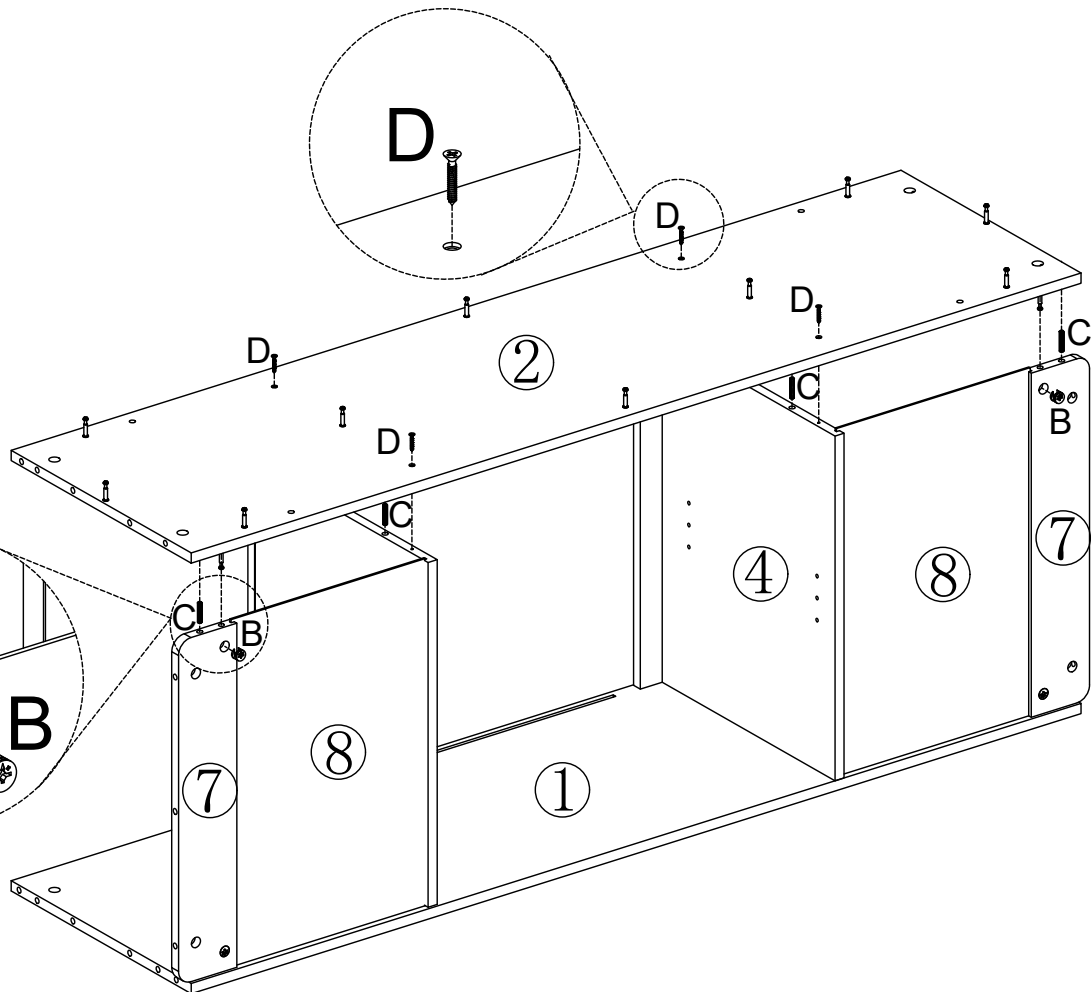
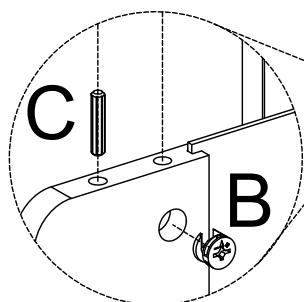
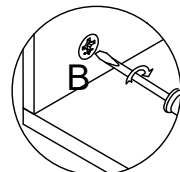
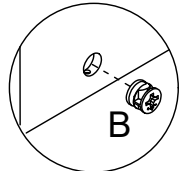
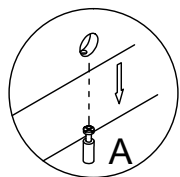


Step 5




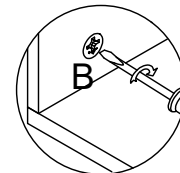
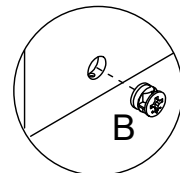
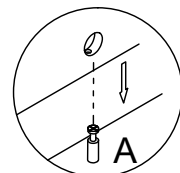
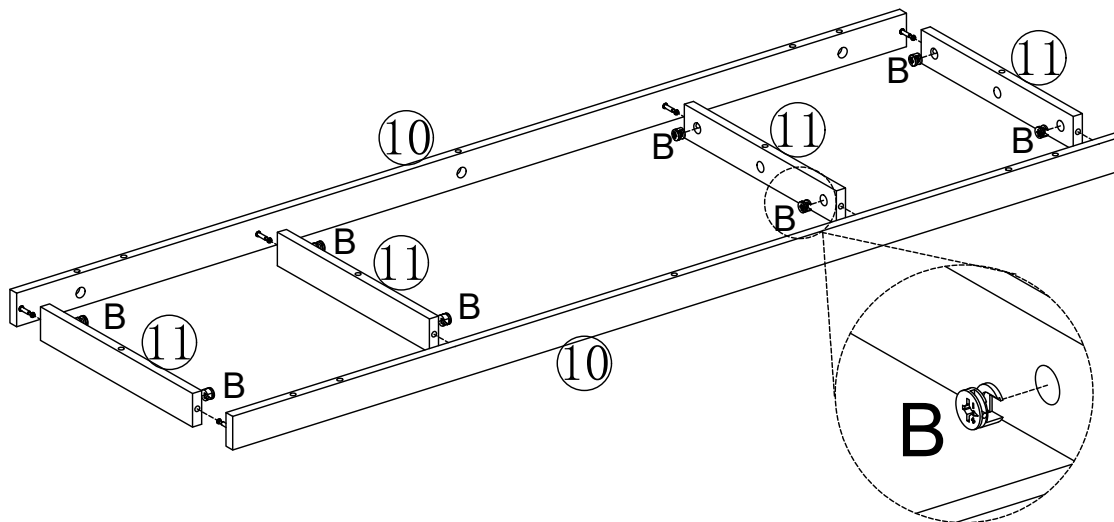
Step 6

D	x4	B	x2	C	x6
					





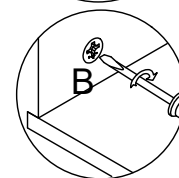
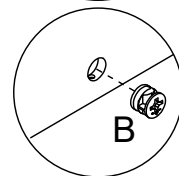
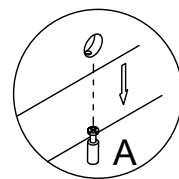
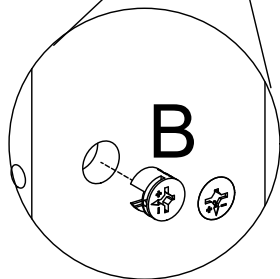
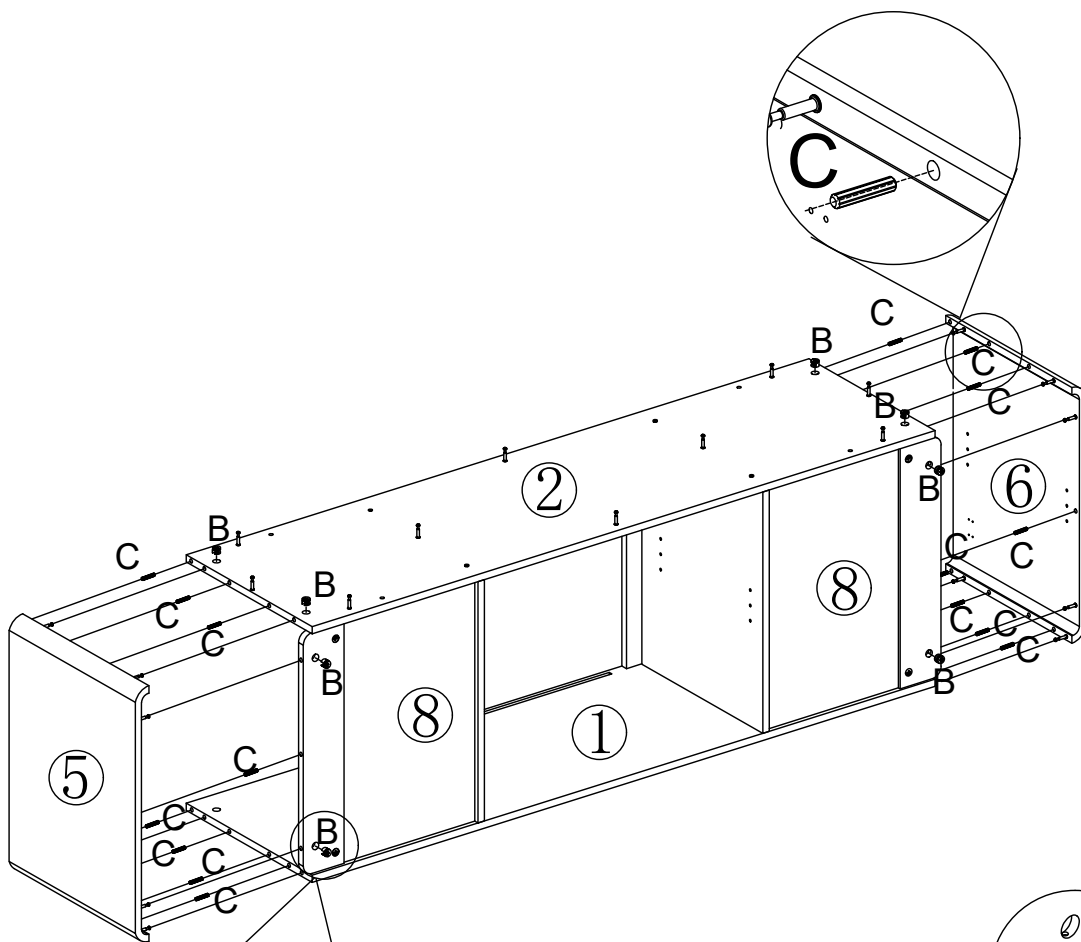
Step 7

B	x8
	



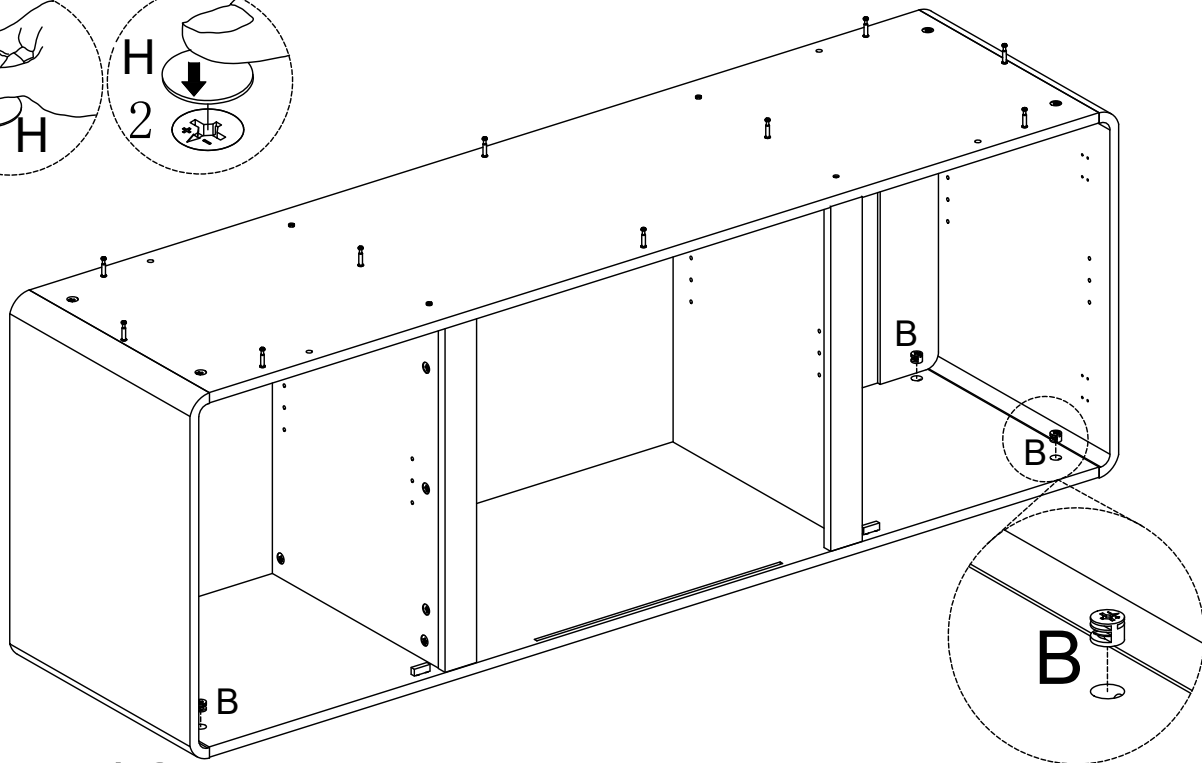
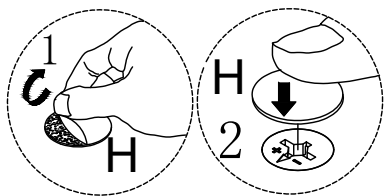
Step 8

B	x8	C	x16
			



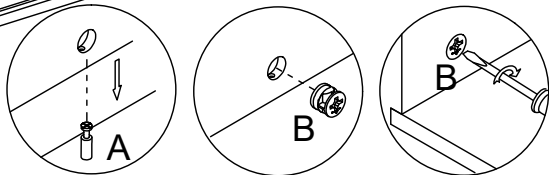
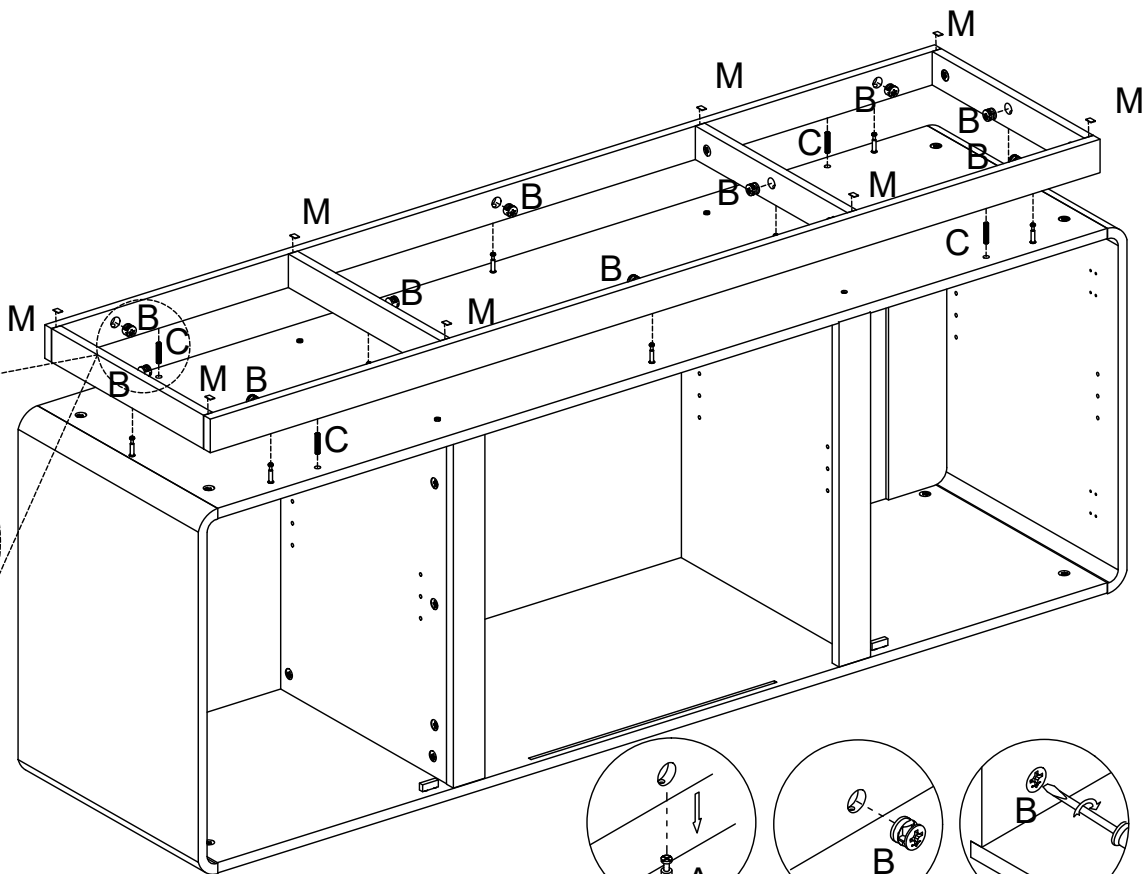
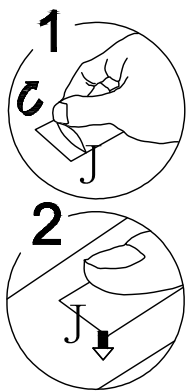
Step 9

H	x4	B	x4


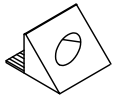


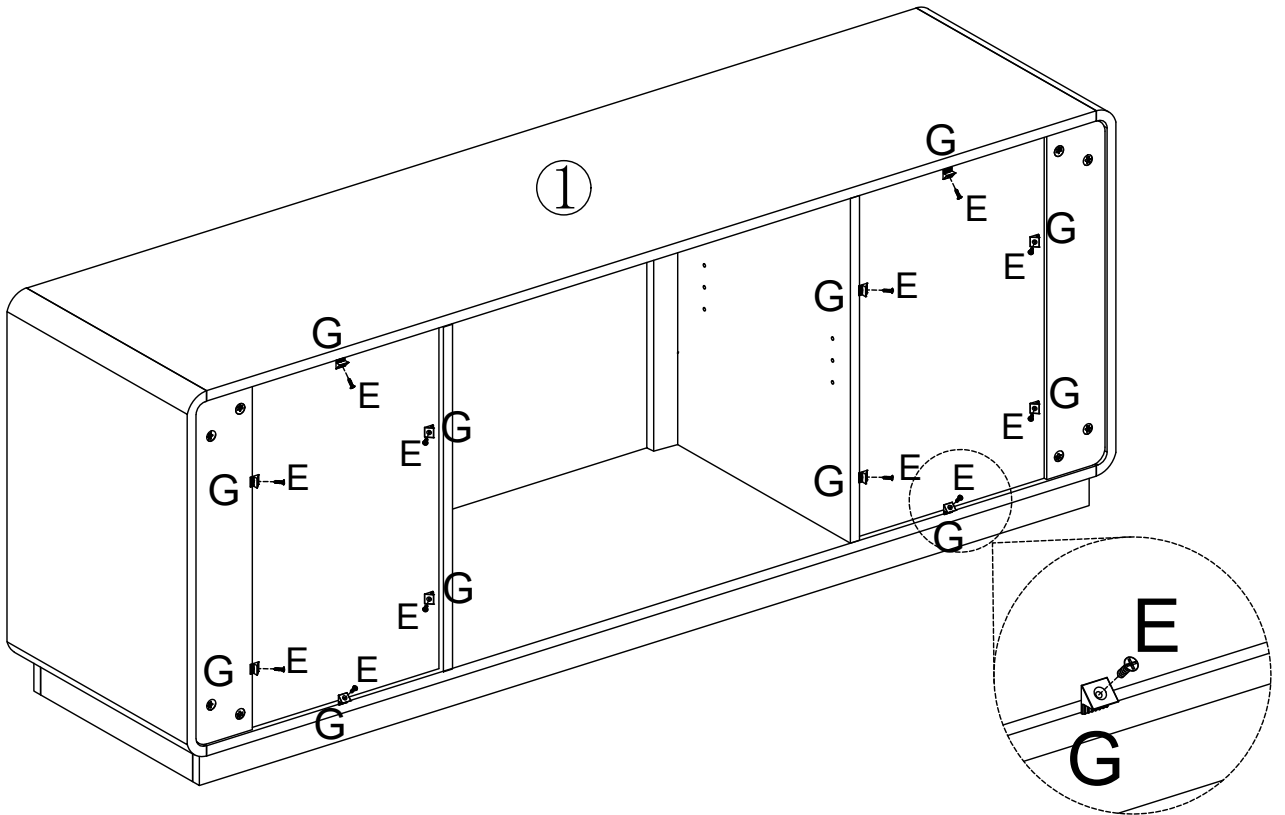
Step 10

M	x8	C	x4	B	x10

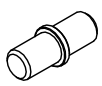


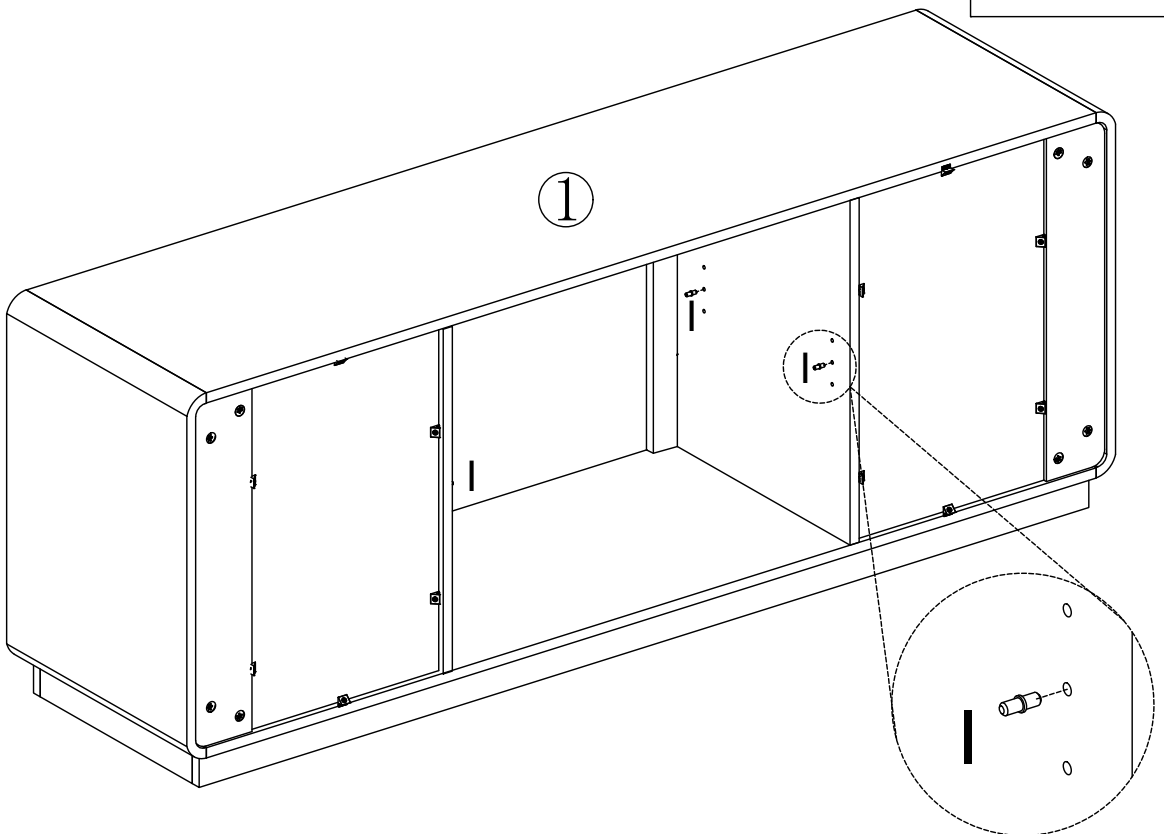
Step 11

E	x12	G	x12
			

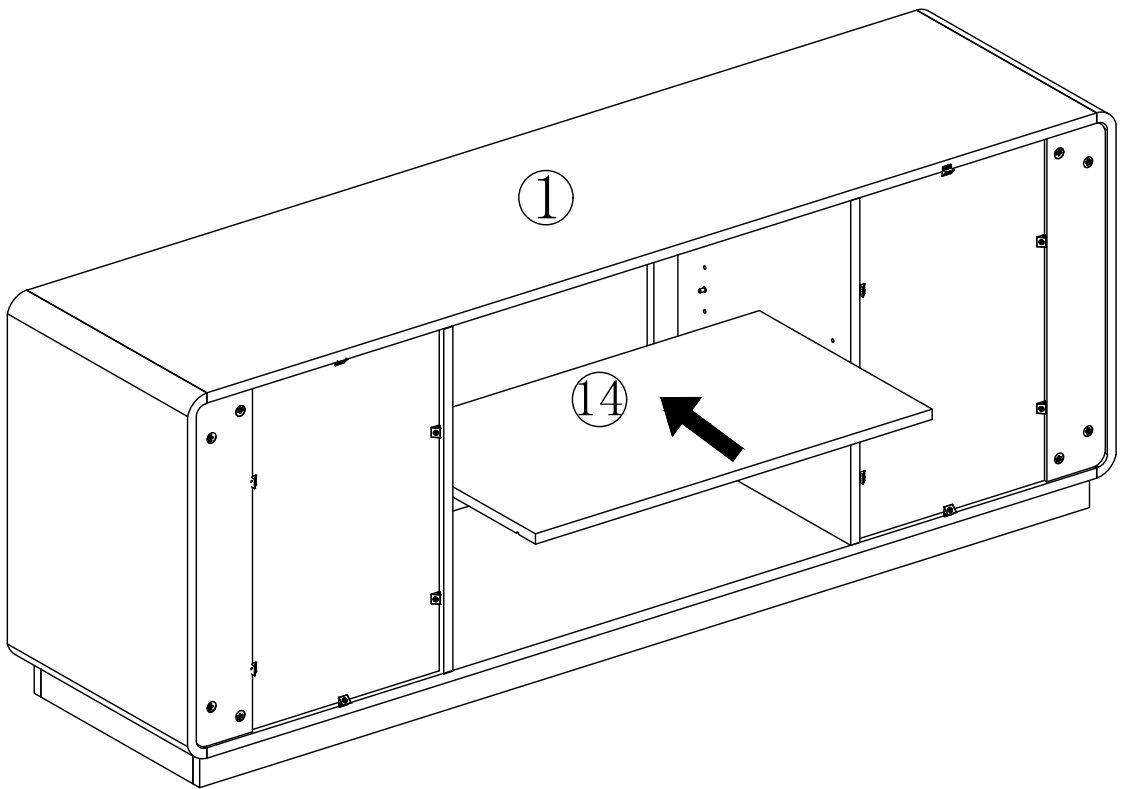


Step 12

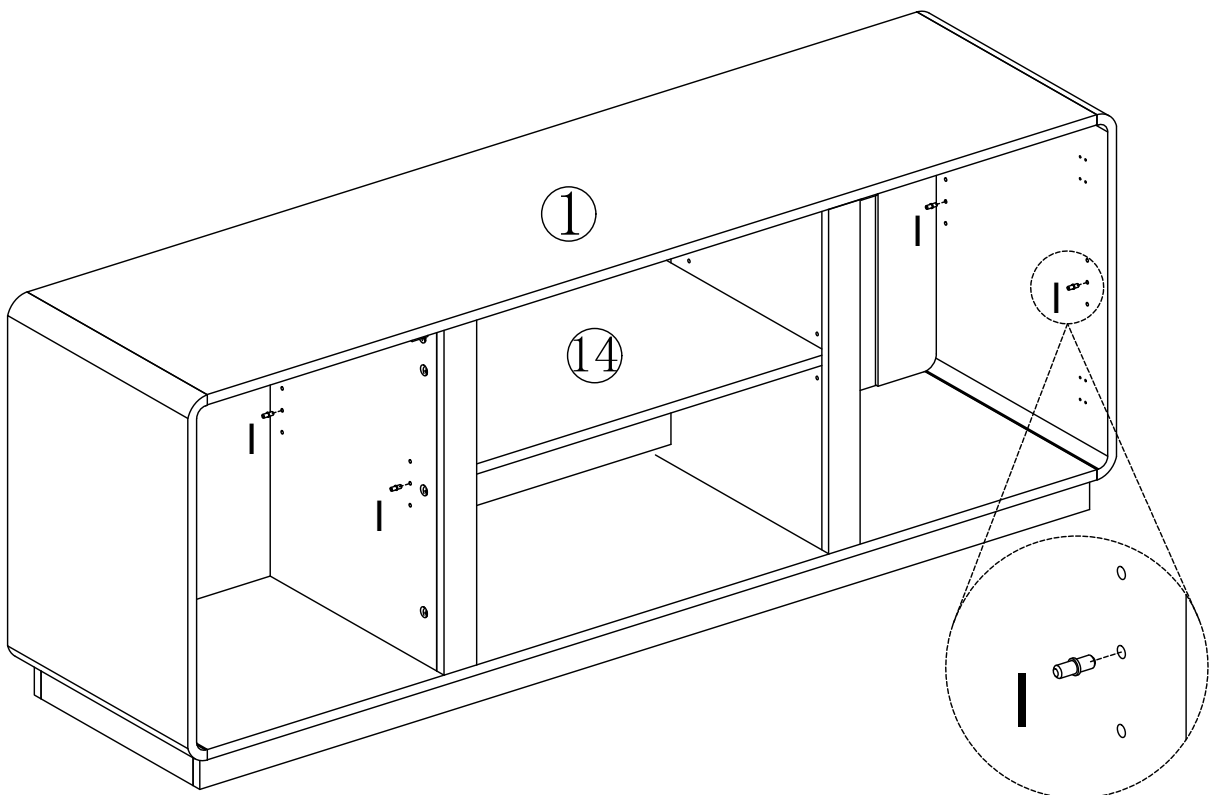
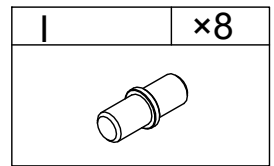
I	x4
	



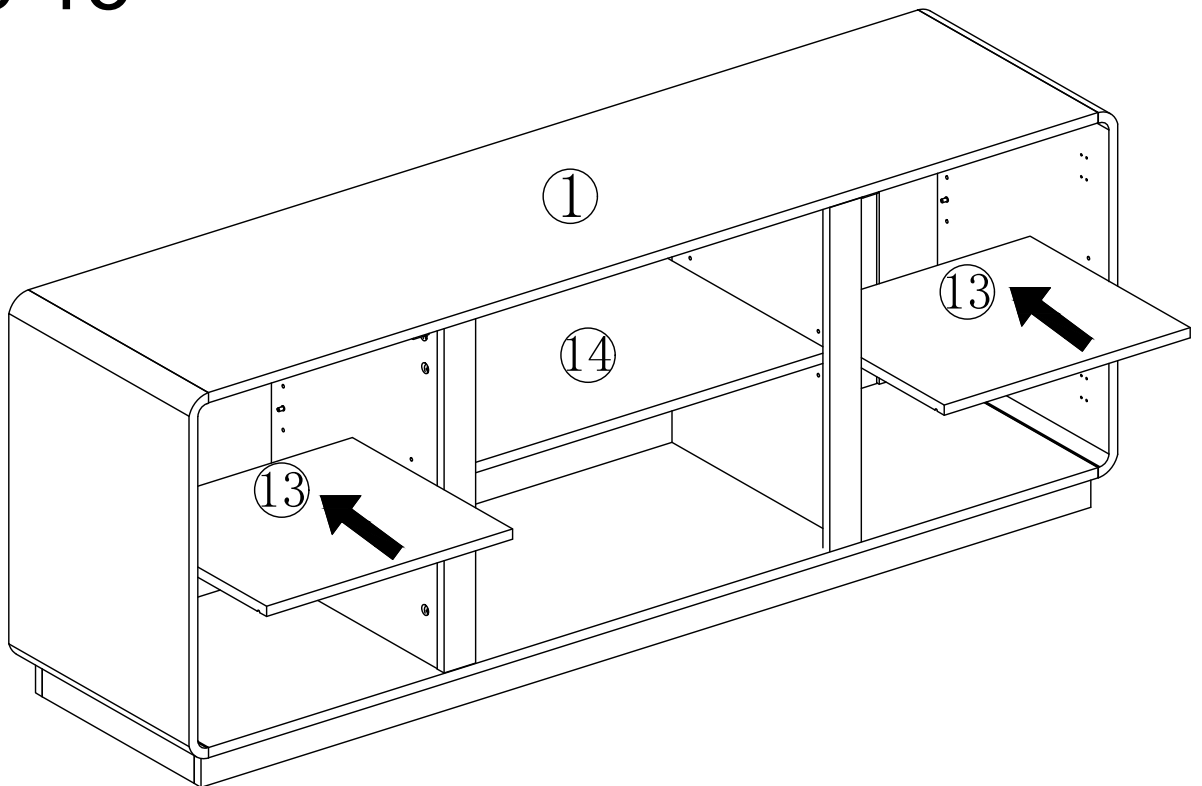
Step 13



Step 14

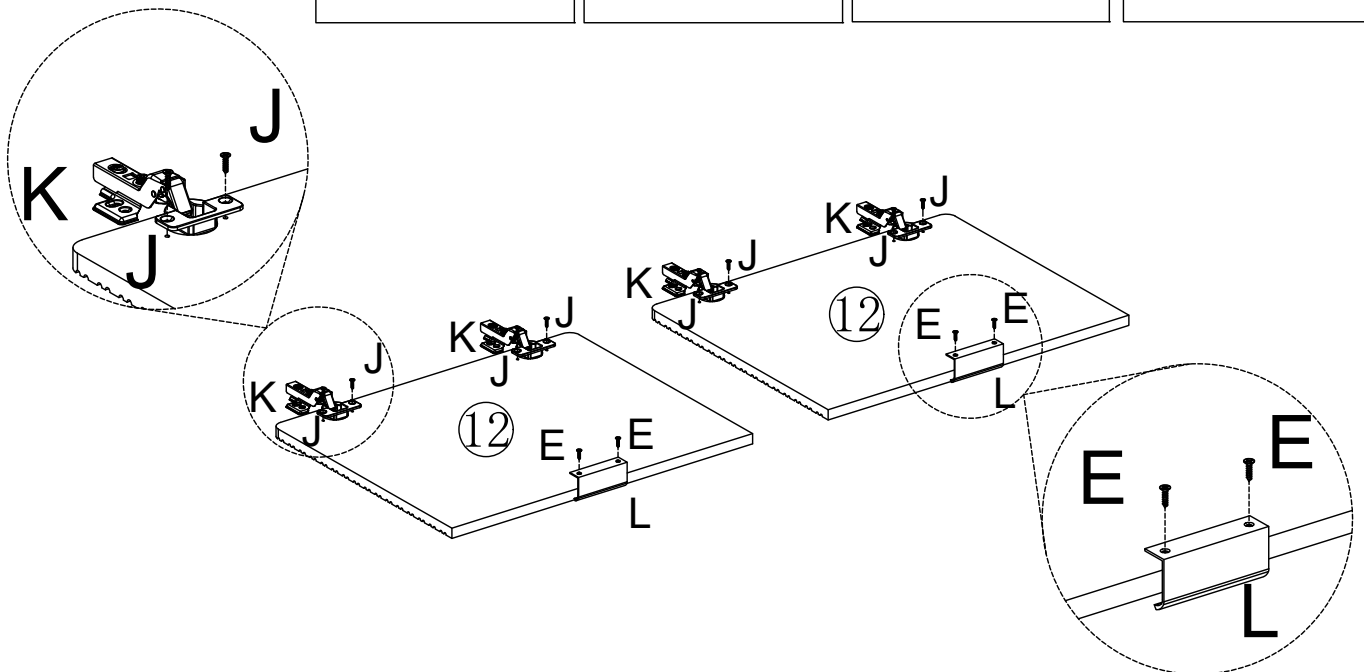


Step 15




Step 16

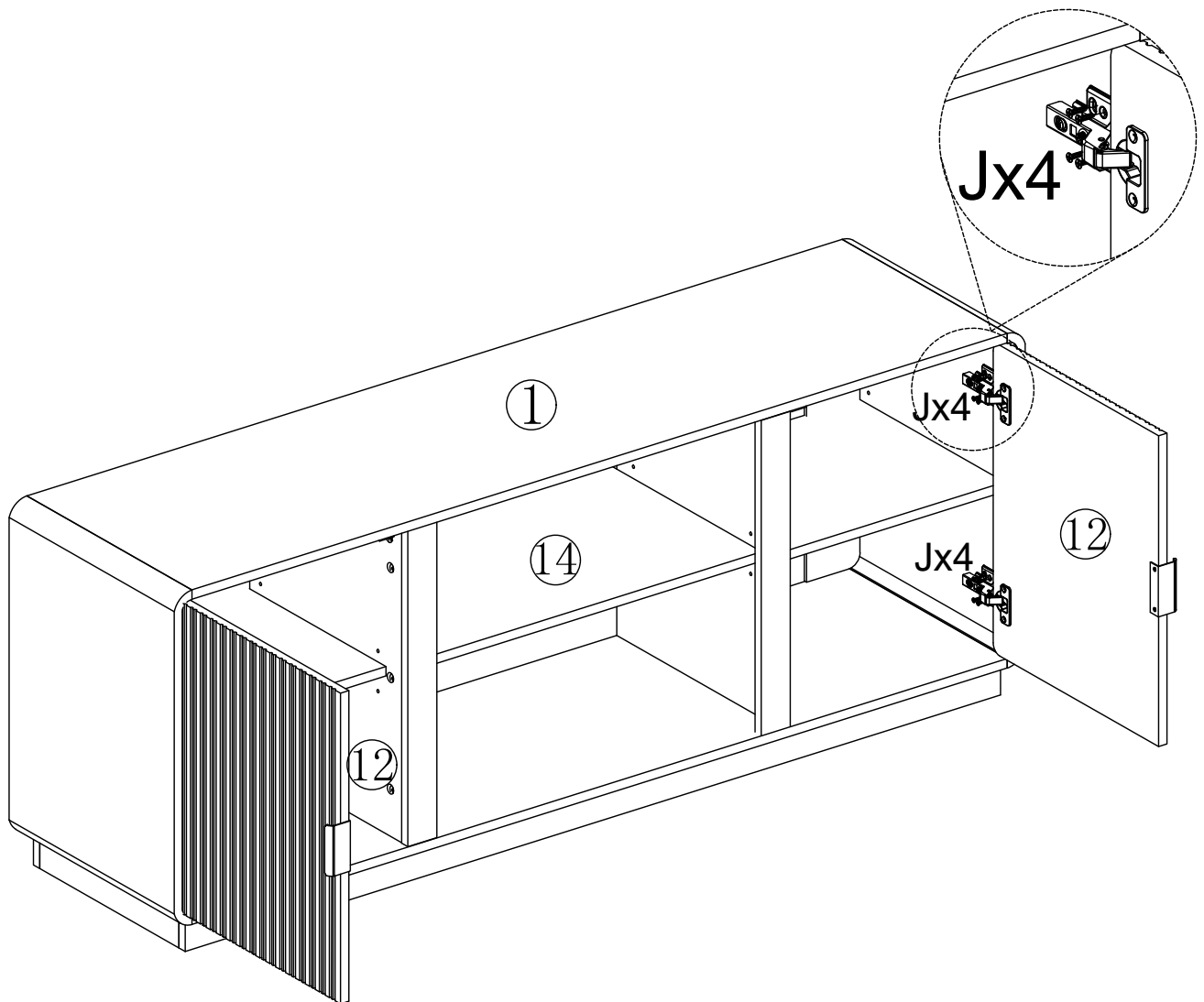
L	x2	K	x4	E	x4	J	x8



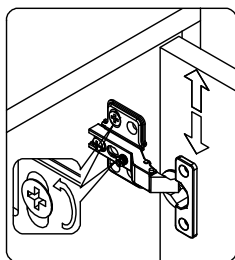
Bitte beachten Sie, dass die Formen der Schrauben E und J ähnlich sind. Bitte installieren Sie entsprechend der Anleitung und unterscheiden Sie sie!

Step 17

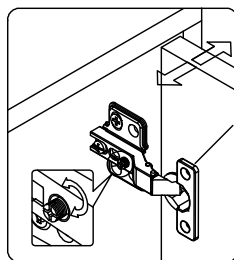
J	×16
	



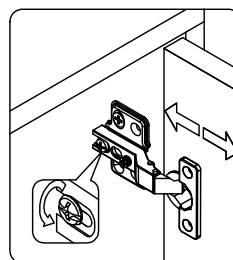
How do I get the two doors to align flat by adjusting the hinges?



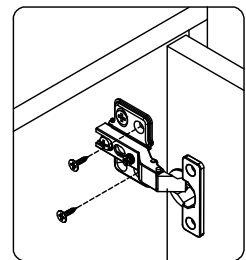
1. Adjust the screws shown in Figure 1 to adjust the door up and down.



2. Adjust the screws shown in Figure 2 and pull the door back and forth so that it can be opened smoothly.



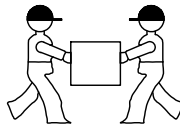
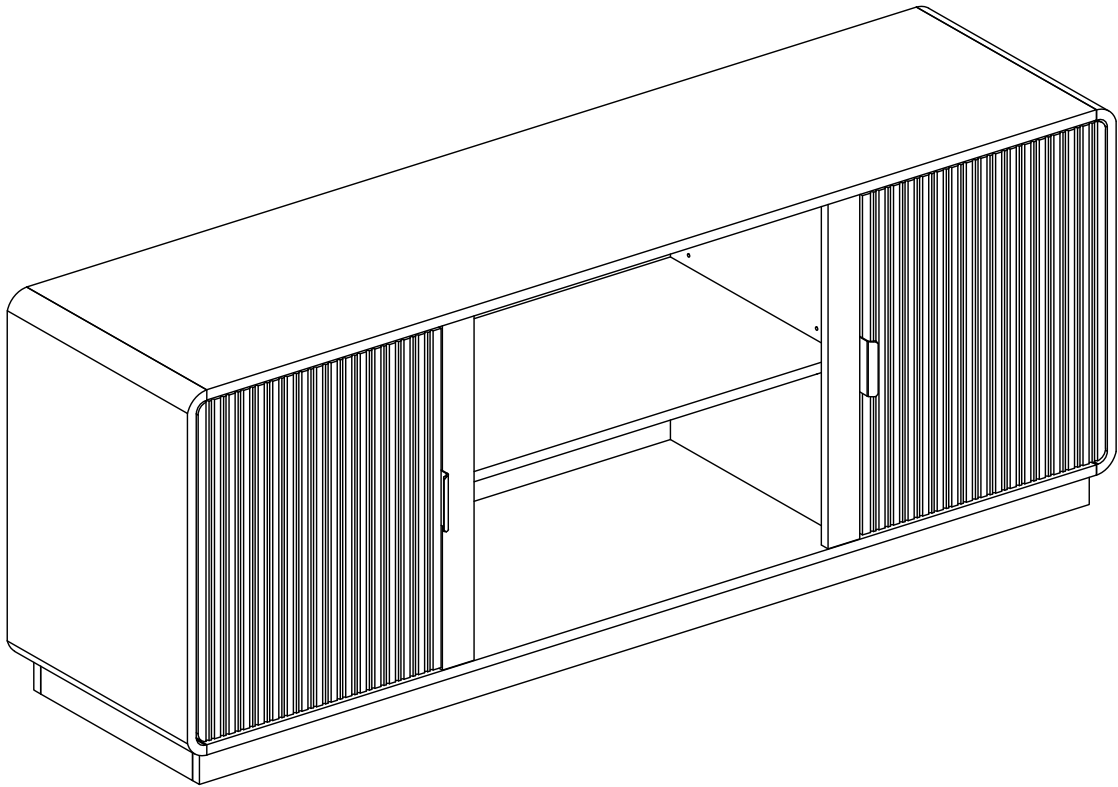
3. Adjust the screws shown in Figure 3 to adjust the door left and right to the right position.



4. After the adjustment is complete, install the remaining two screws to secure the door in place.

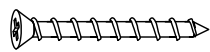
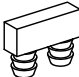
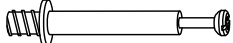
Step 18

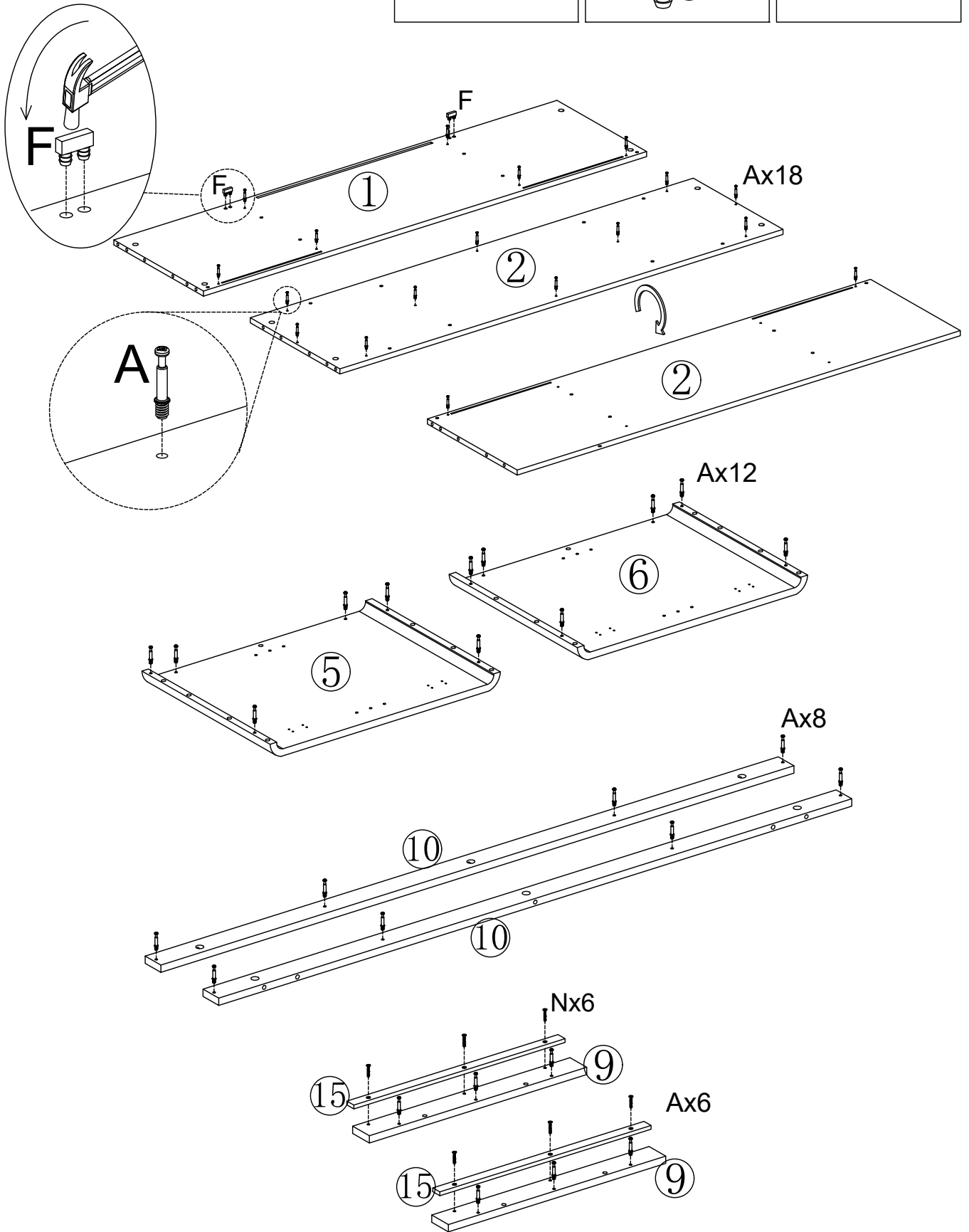
At this point, the TV cabinet assembly is complete, and there are still two small pull bars of size 15 left.



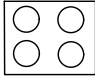
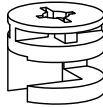

Two people work together to move the table. Make sure you lift it off the ground. Don't push and pull.

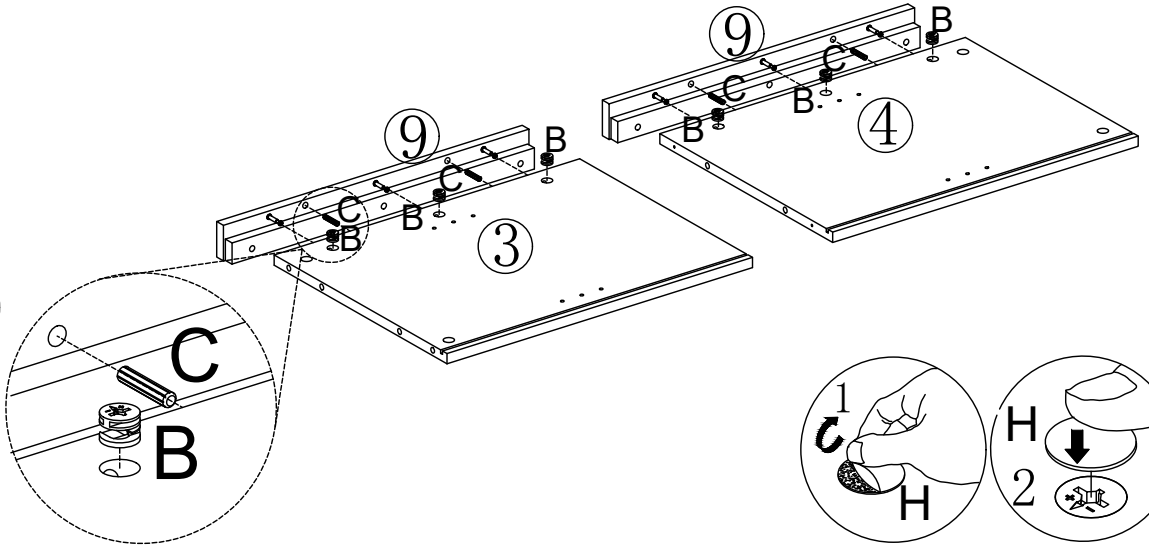
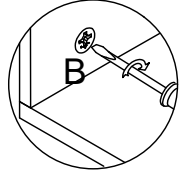
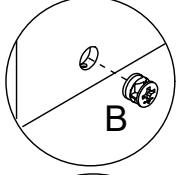
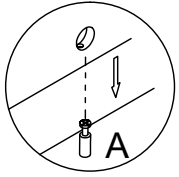
Step 19

N	x6	F	x2	A	x44
					

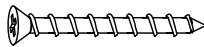



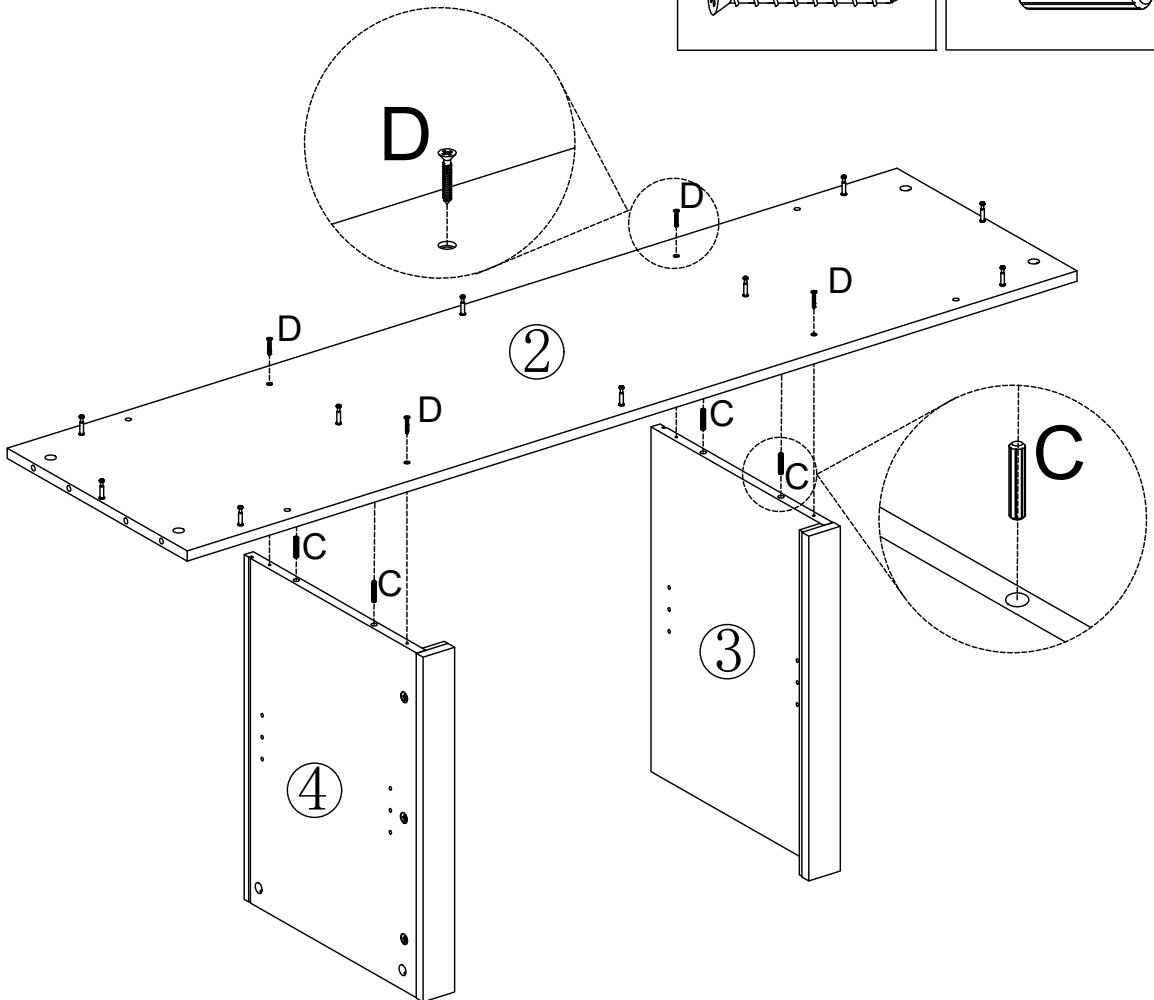
Step 20

H	x6	B	x6	C	x4
					



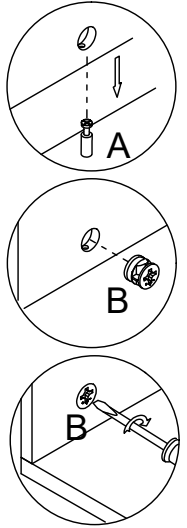
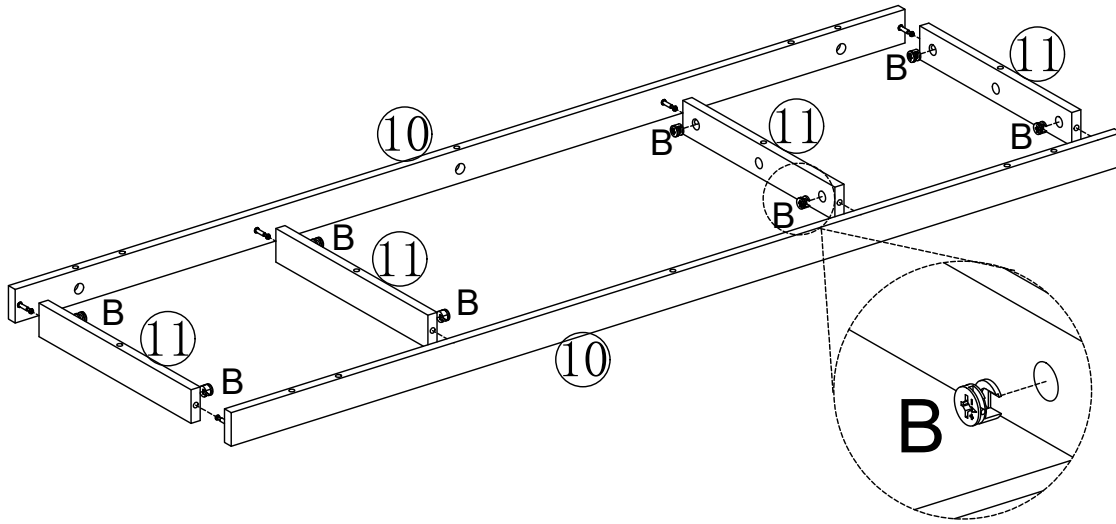
Step 21

D	x4	C	x4
			



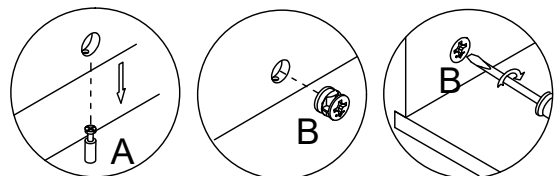
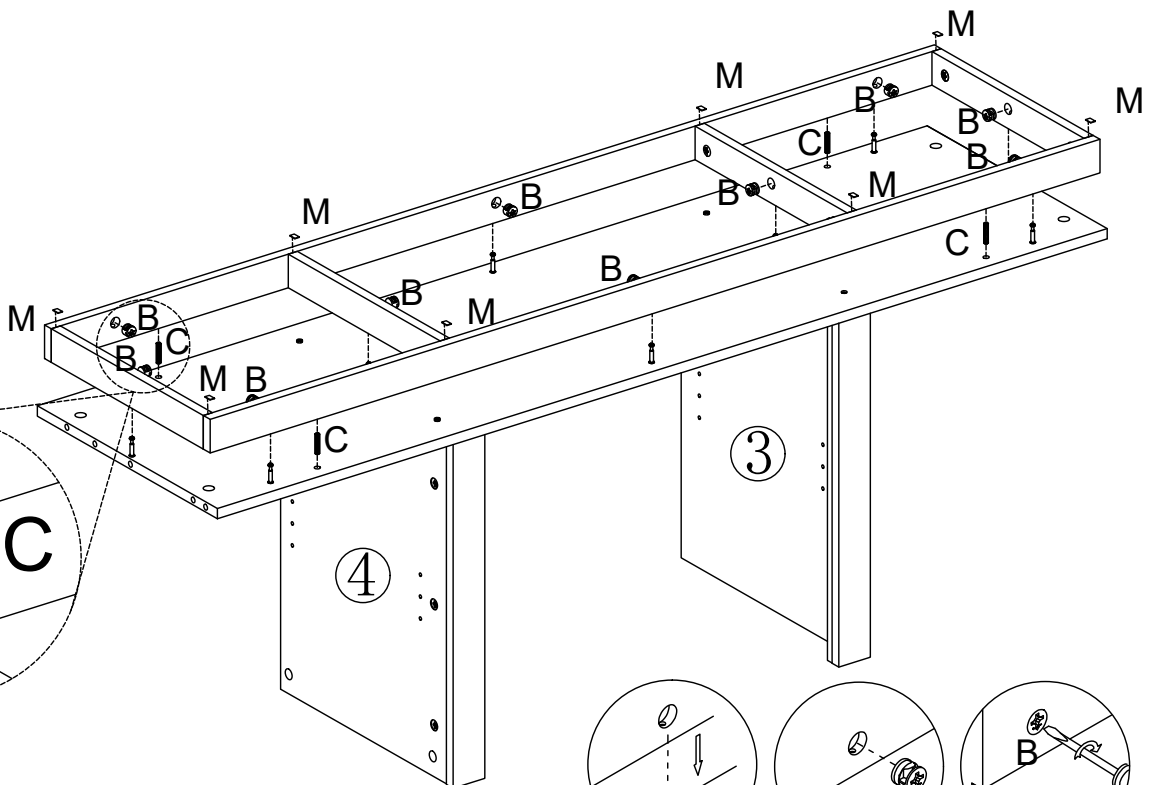
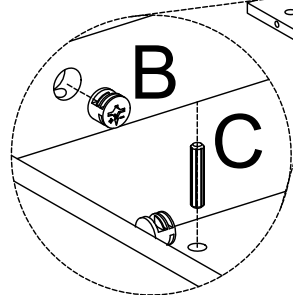
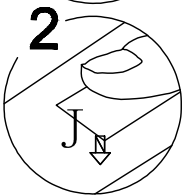
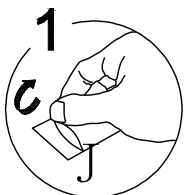
Step 22

B	x8





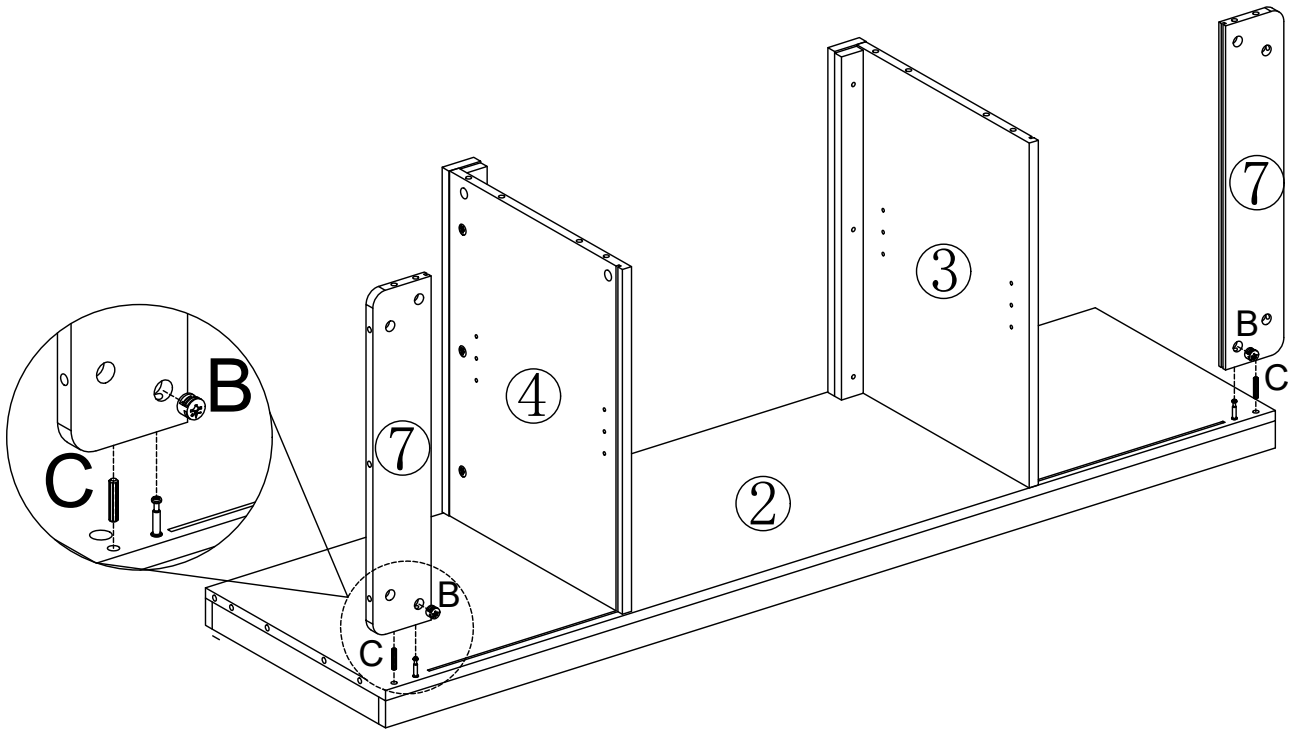
Step 23

M	x8	C	x4	B	x10

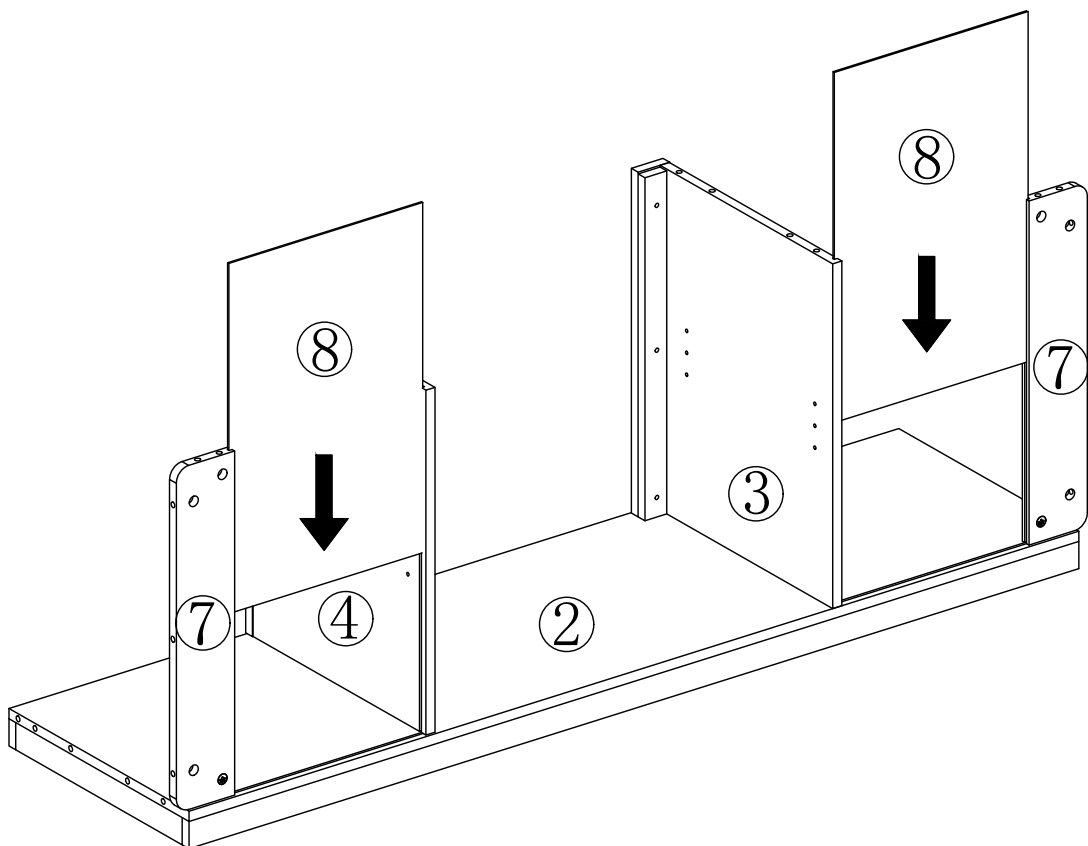


Step 24

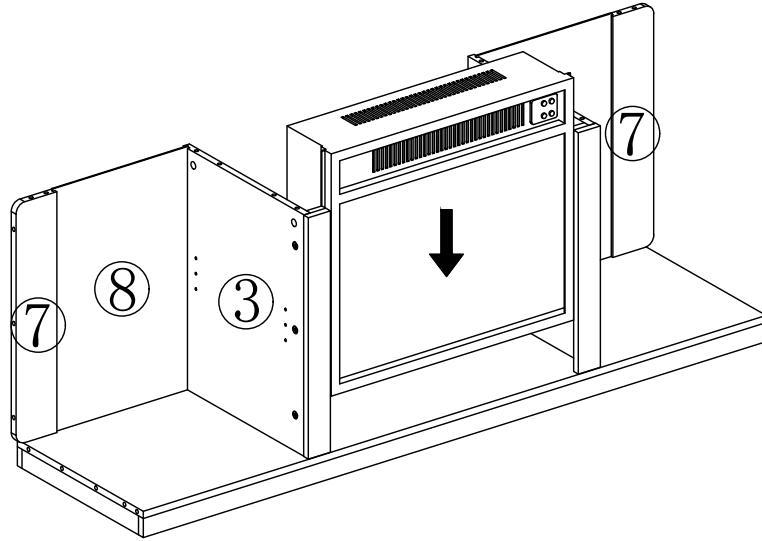
C	x2	B	x2
			



Step 25

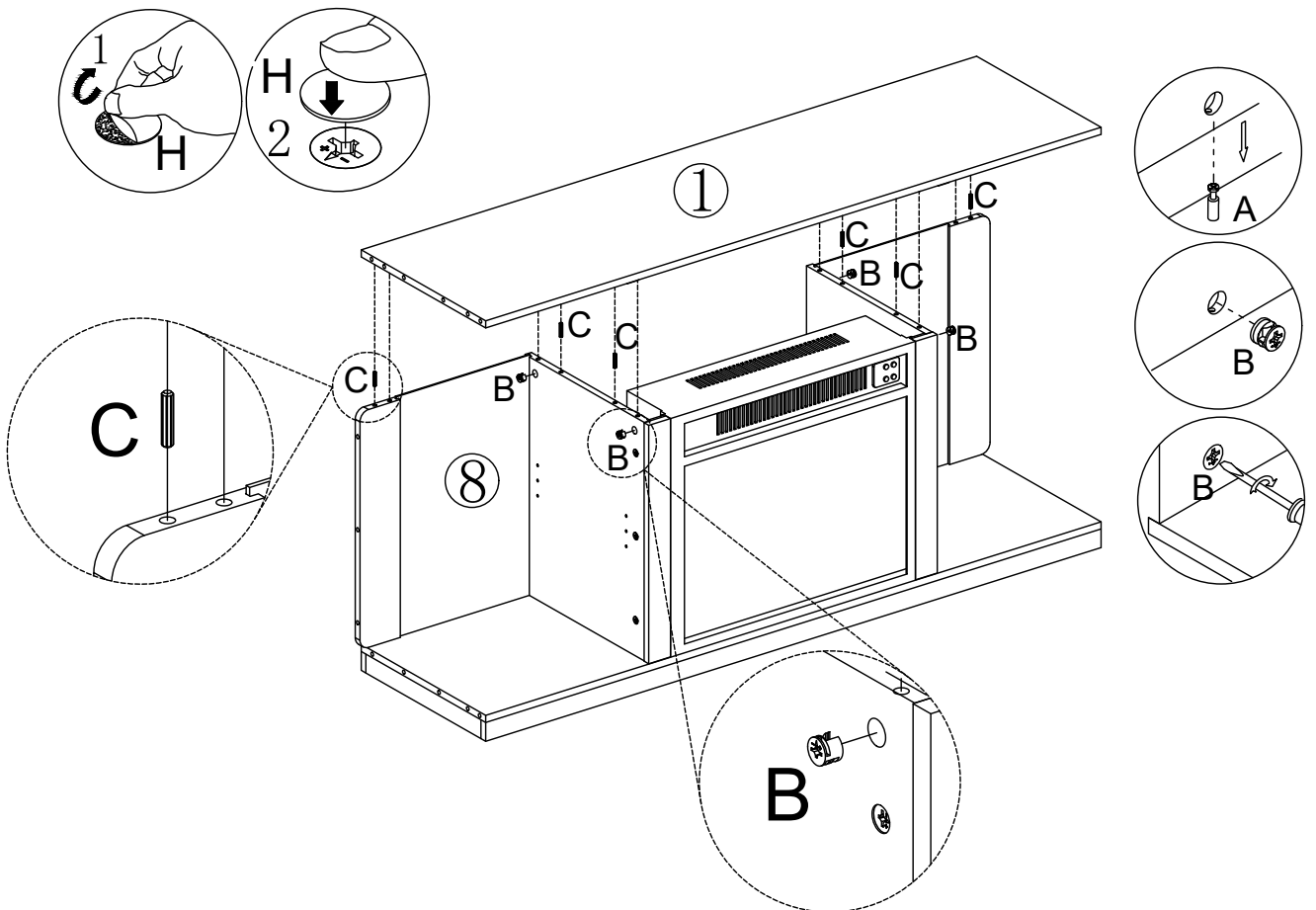


Step 26





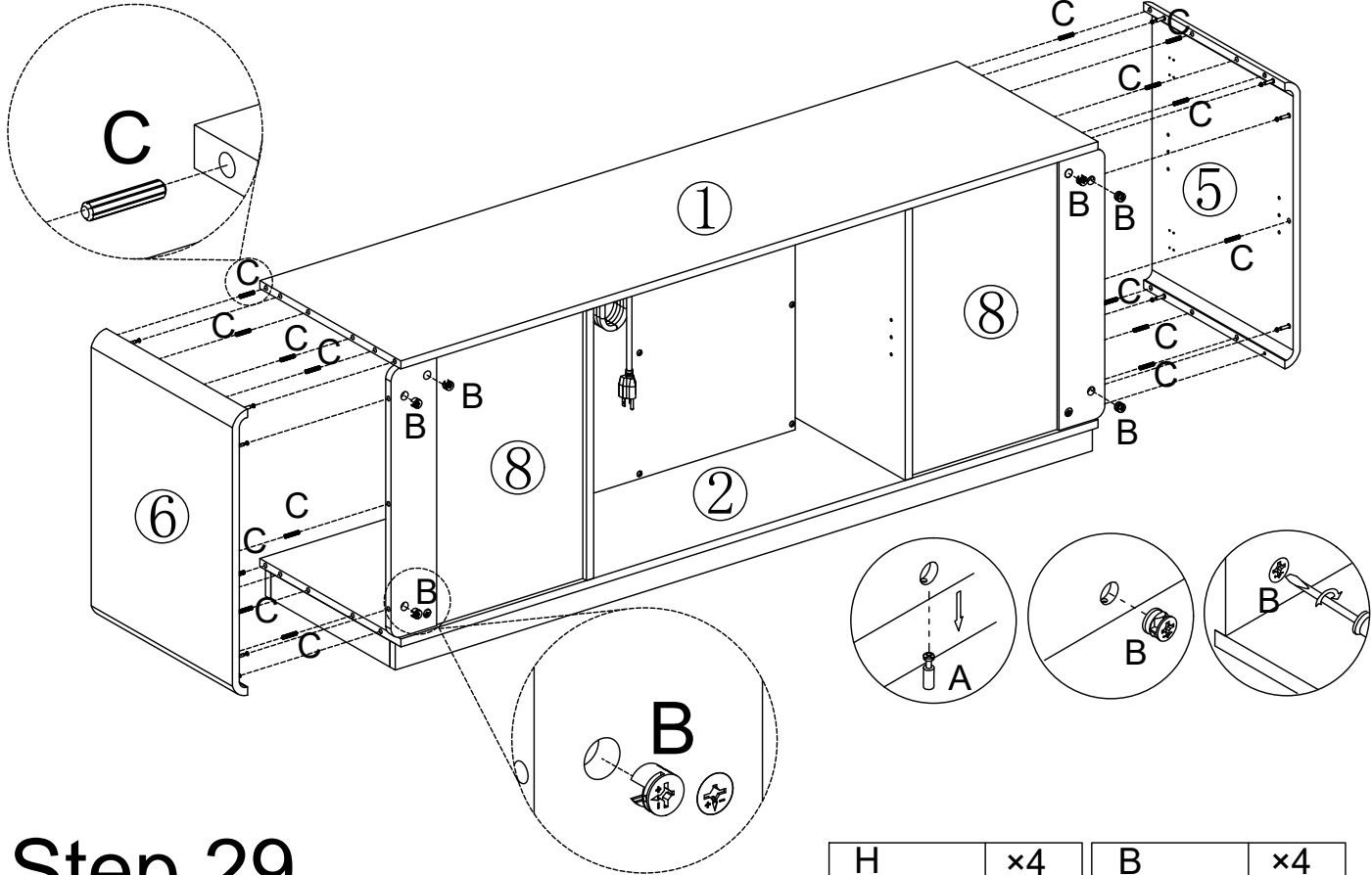
Step 27

H	x4	B	x4	C	x6

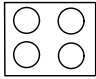
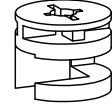


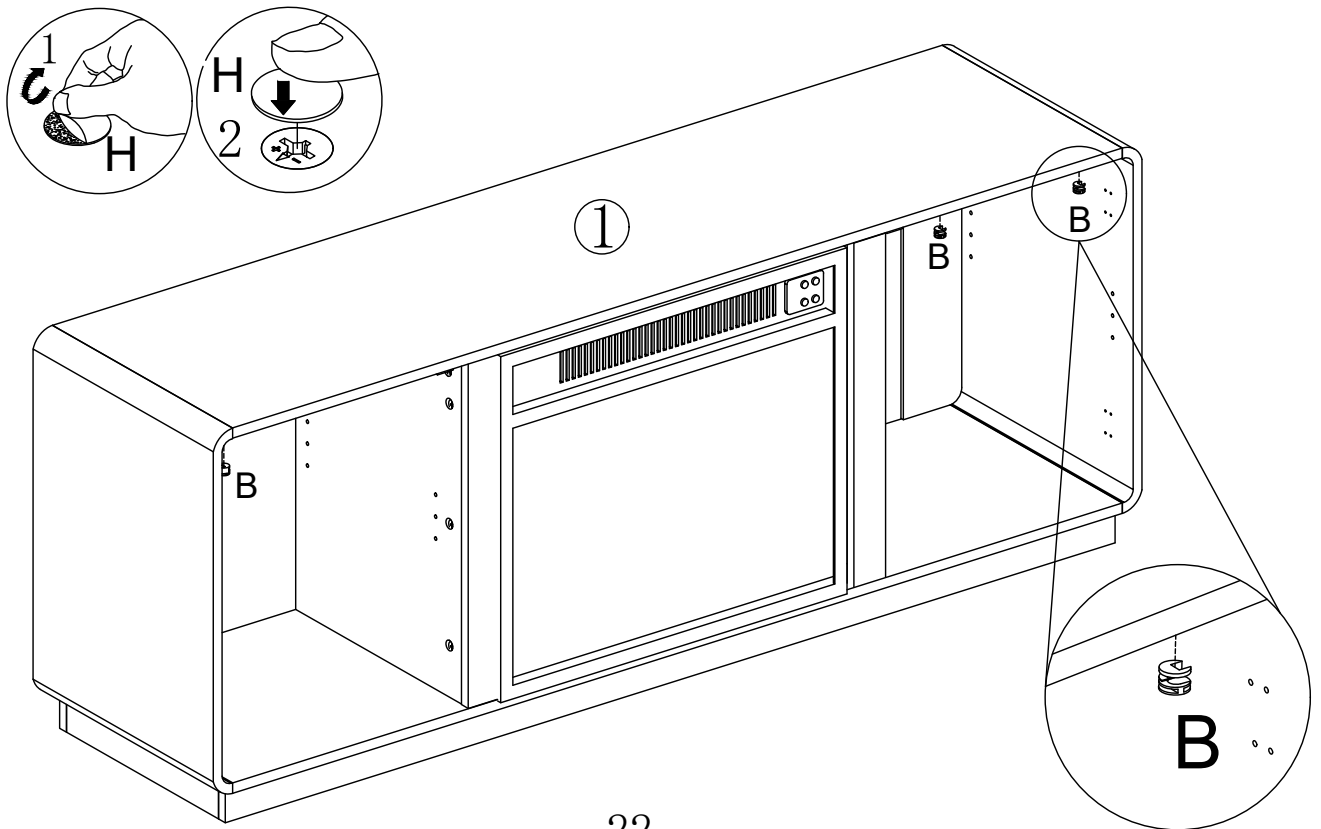
Step 28

B	x6	C	x16
			

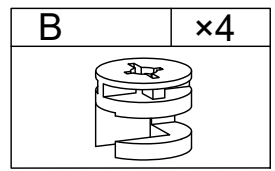


Step 29

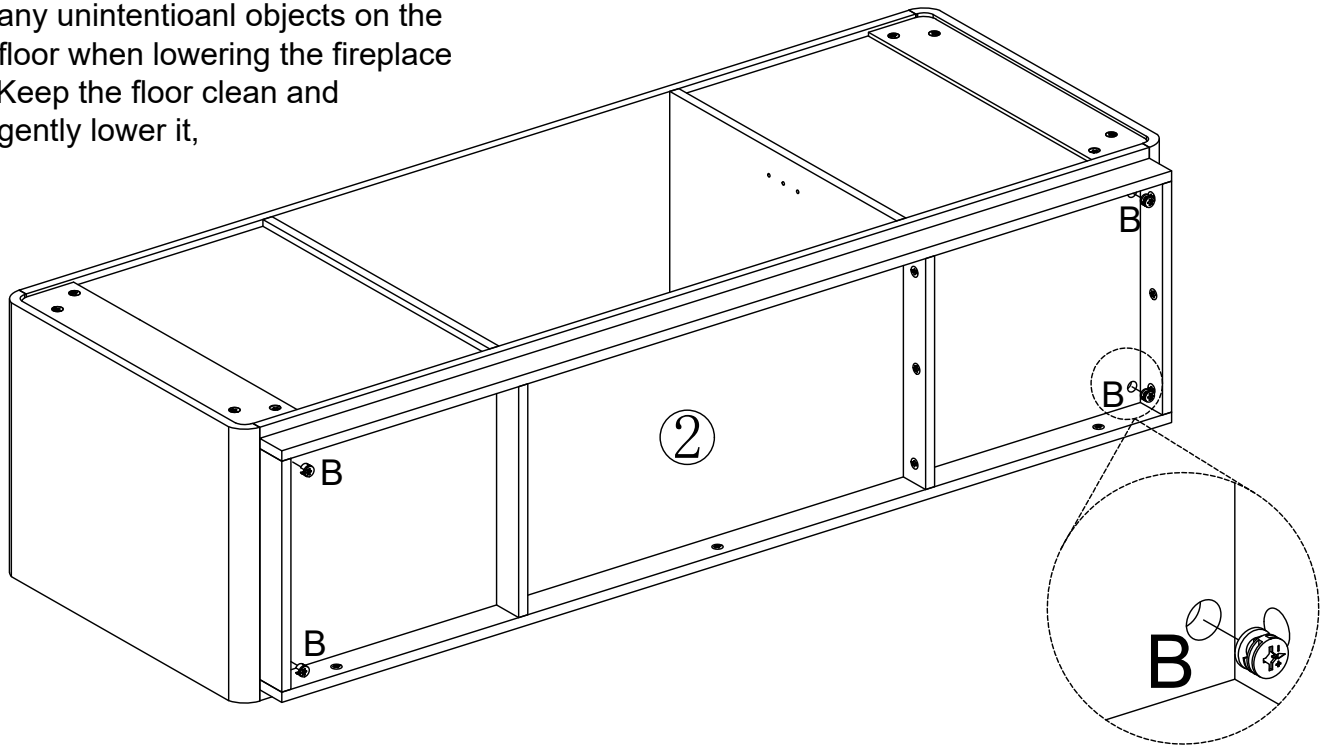
H	x4	B	x4
			



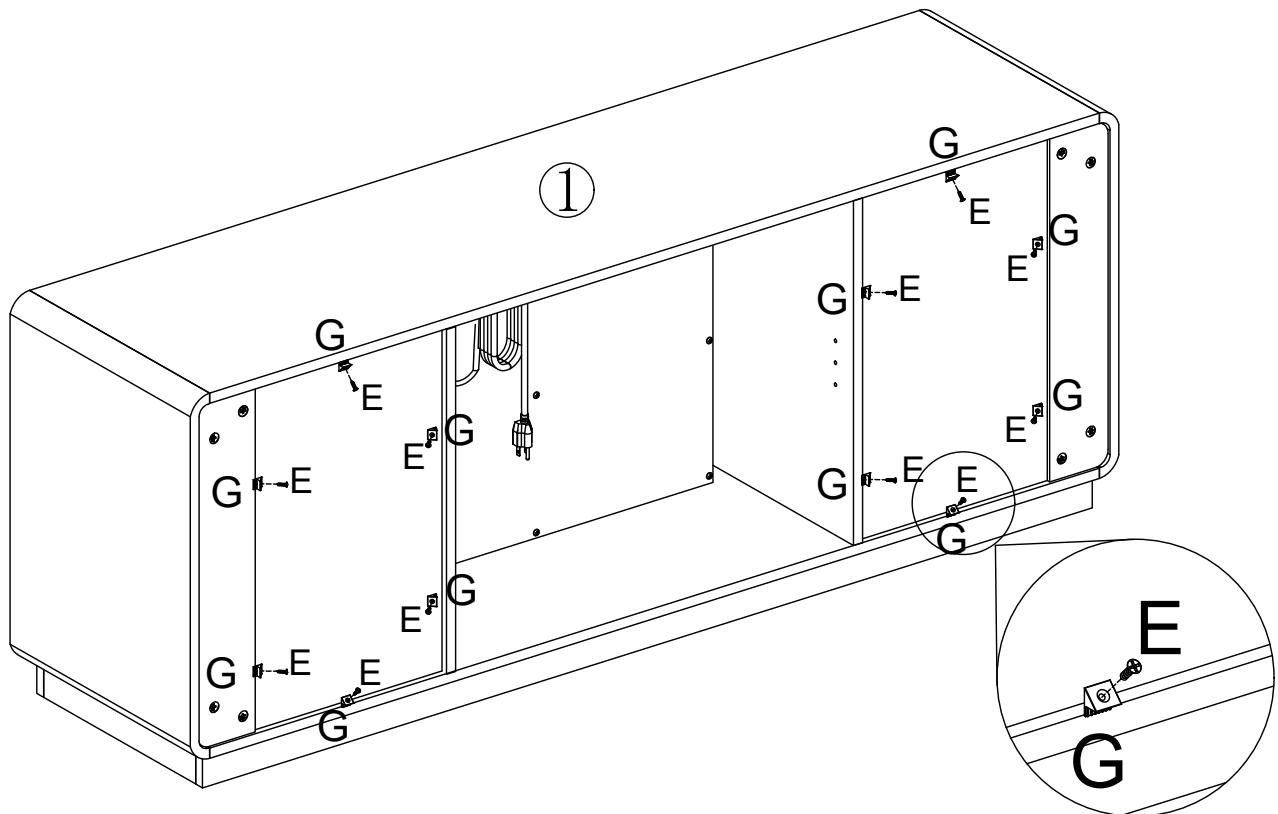
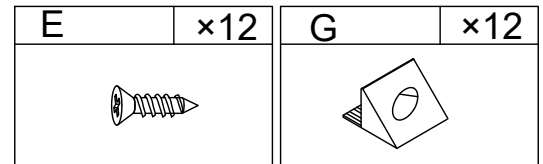
Step 30



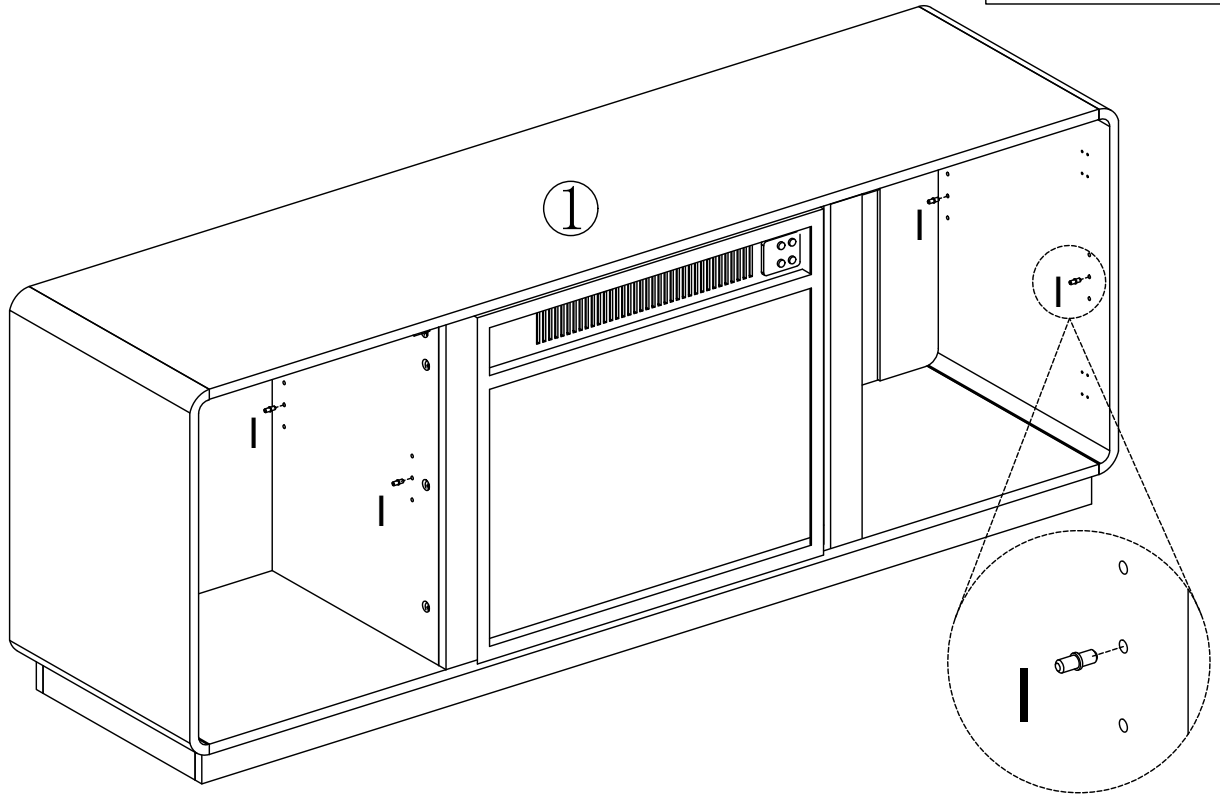
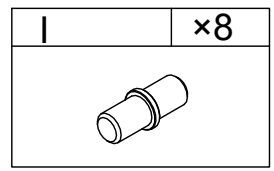
Be careful! Please be careful of any unintentional objects on the floor when lowering the fireplace. Keep the floor clean and gently lower it,



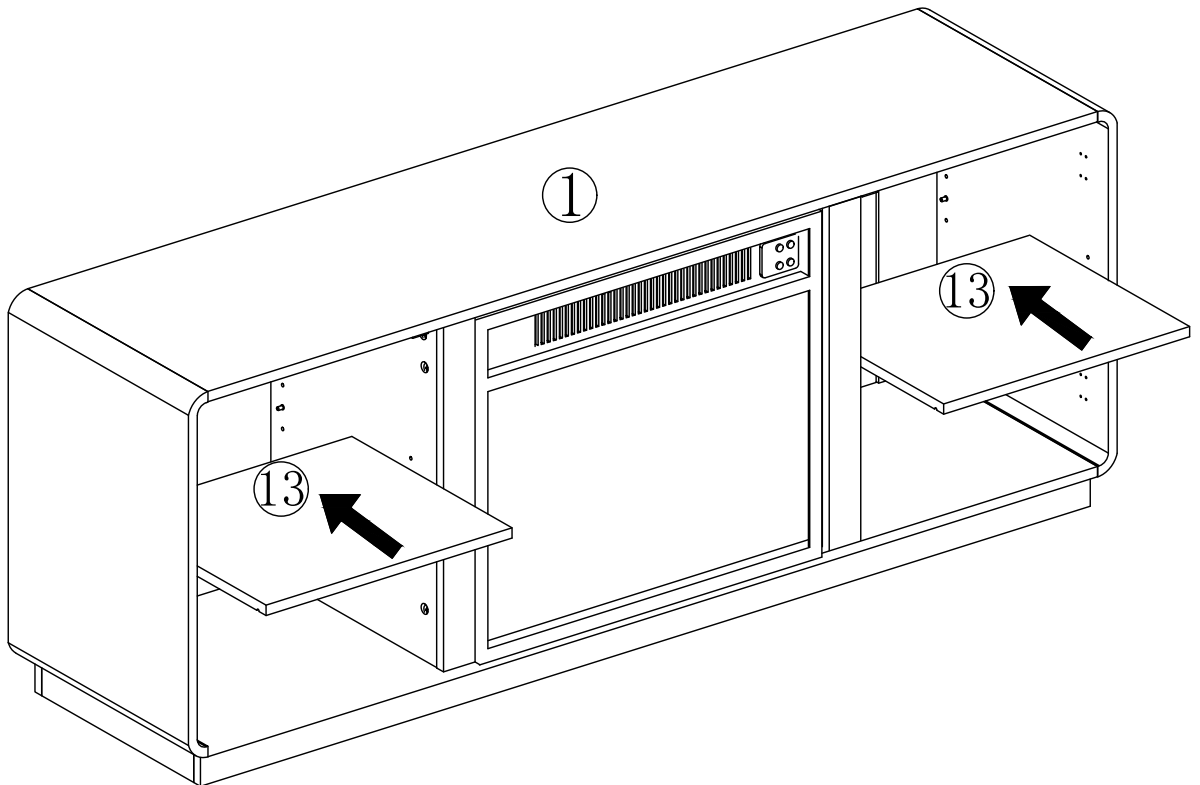
Step 31



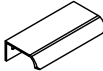



Step 32

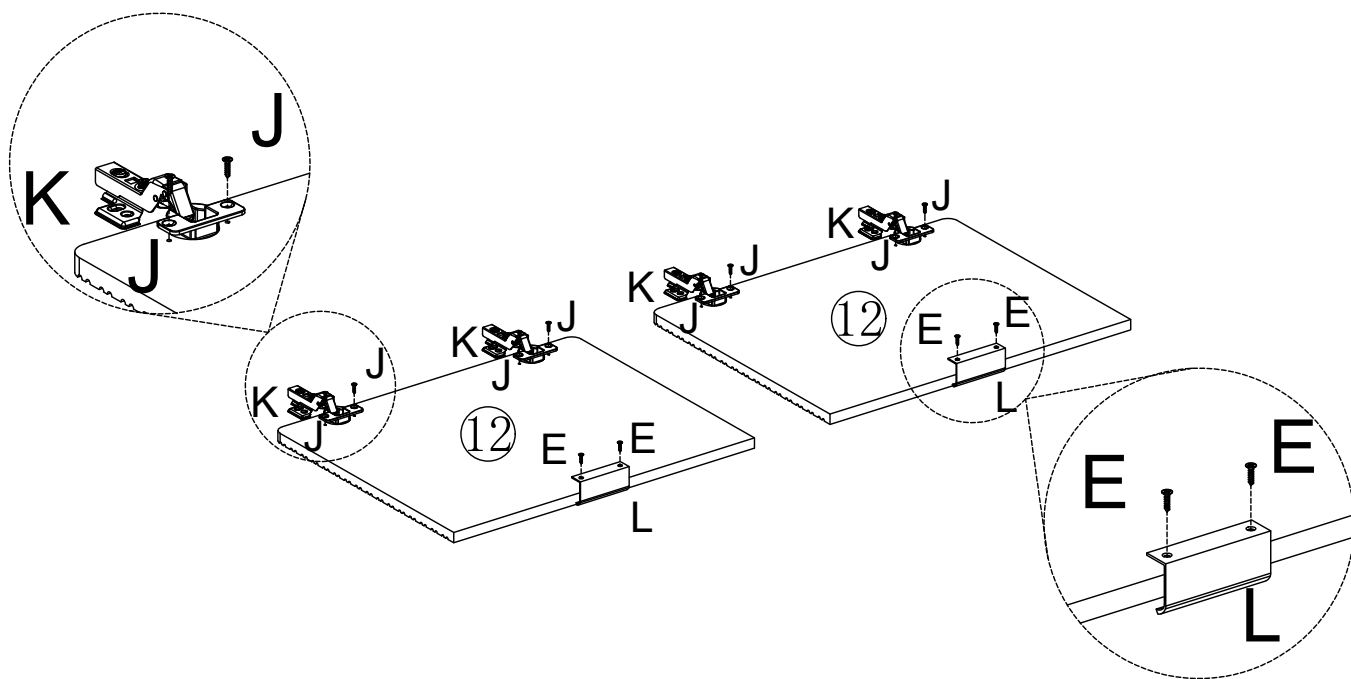


Step 33




Step 34

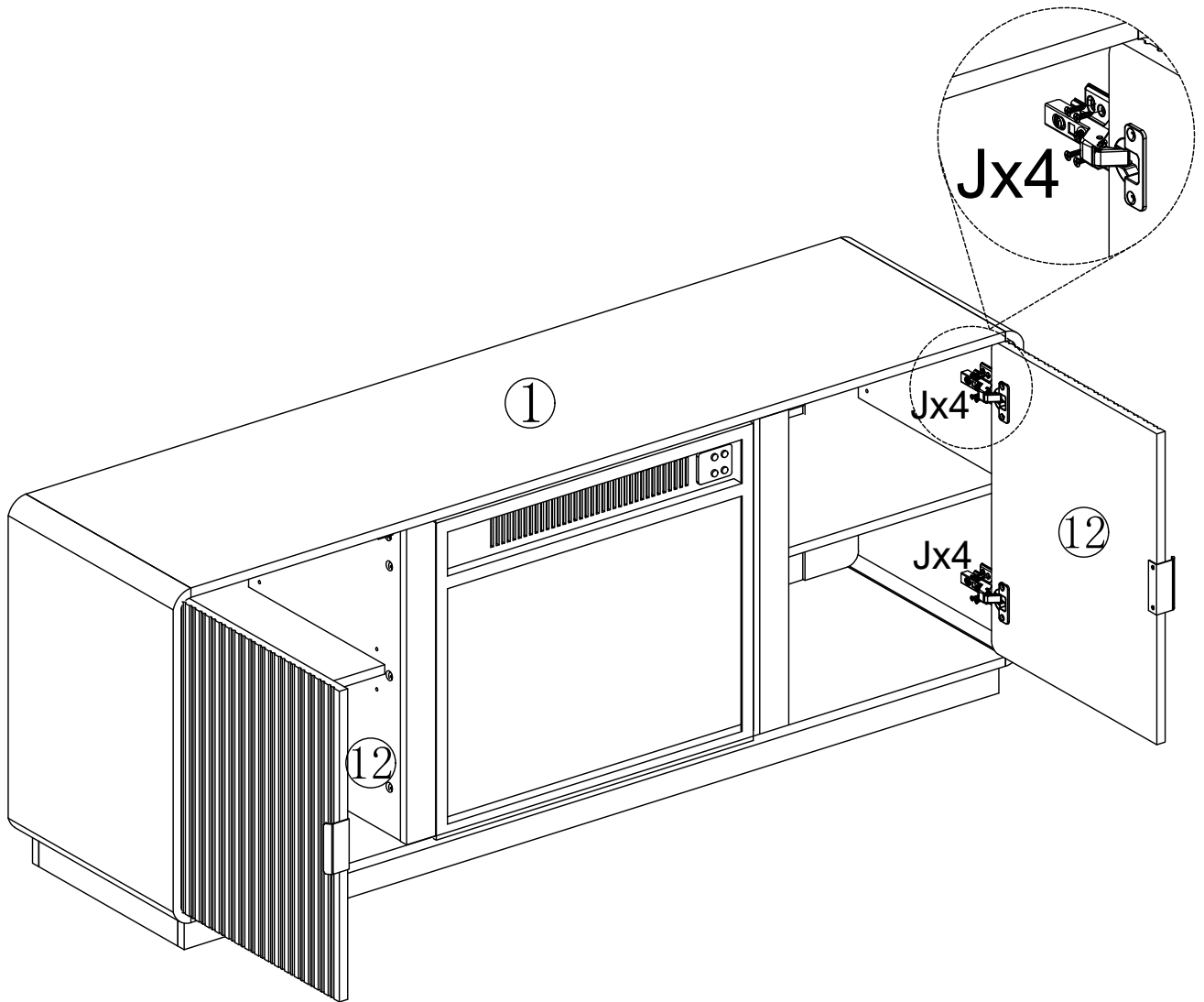
L	x2	E	x4	J	x8
					
					



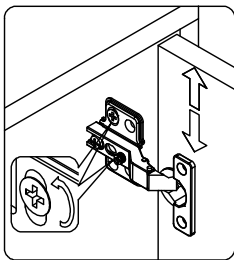
Bitte beachten Sie, dass die Formen der Schrauben E und J ähnlich sind. Bitte installieren Sie entsprechend der Anleitung und unterscheiden Sie sie!

Step 35

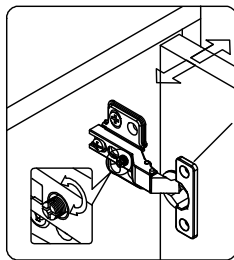
J	×16
	



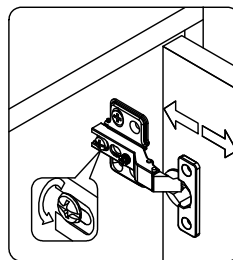
How do I get the two doors to align flat by adjusting the hinges?



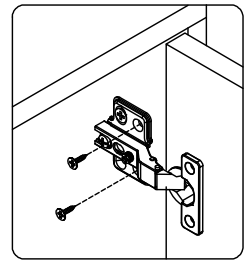
1. Adjust the screws shown in Figure 1 to adjust the door up and down.



2. Adjust the screws shown in Figure 2 and pull the door back and forth so that it can be opened smoothly.

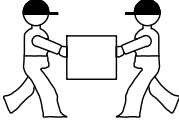

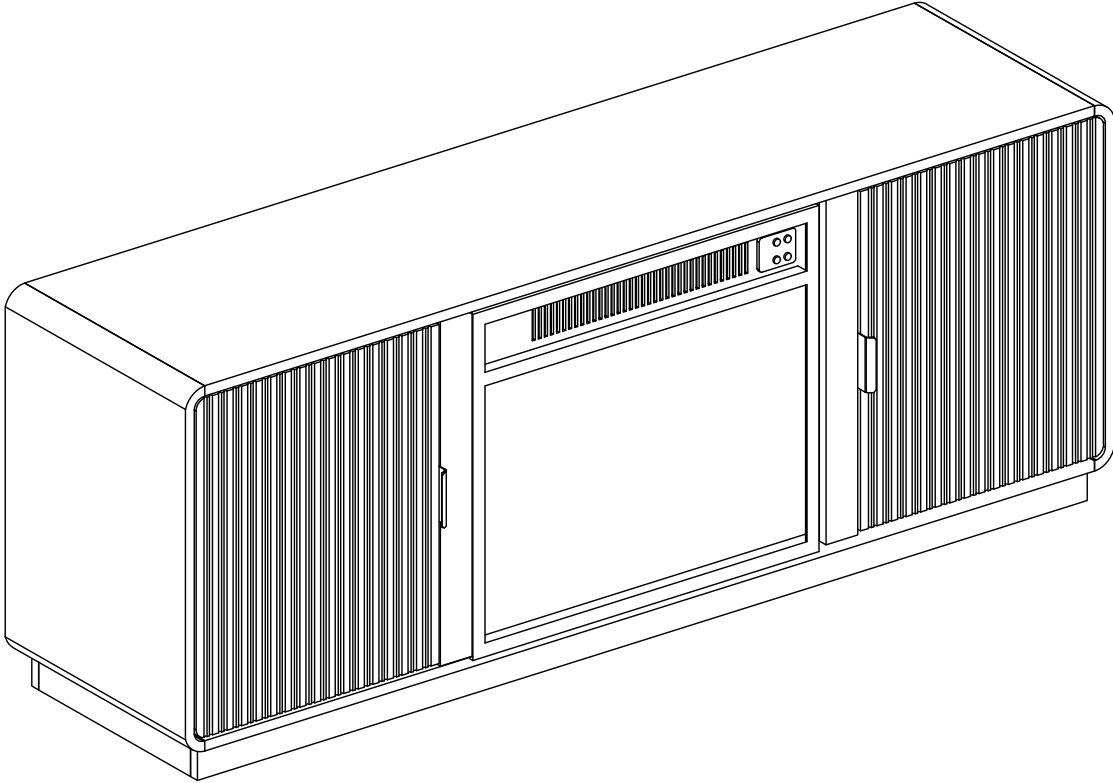


3. Adjust the screws shown in Figure 3 to adjust the door left and right to the right position.



4. After the adjustment is complete, install the remaining two screws to secure the door in place.

Step 36



Two people work together to move the table.
Make sure you lift it off the ground.
Don't push and pull.