







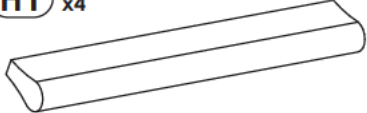

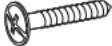

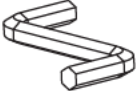

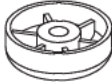



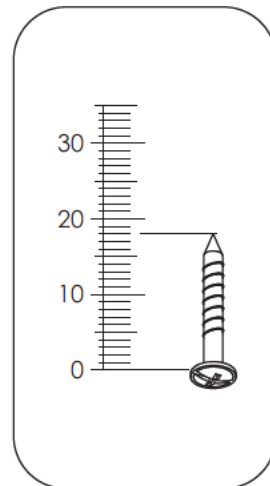
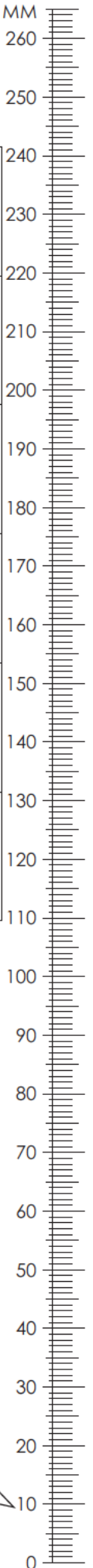
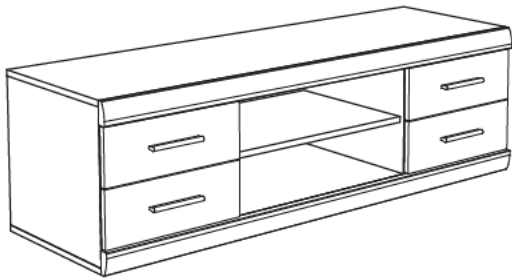


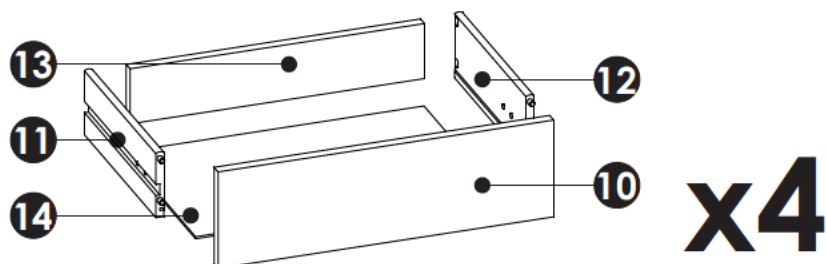
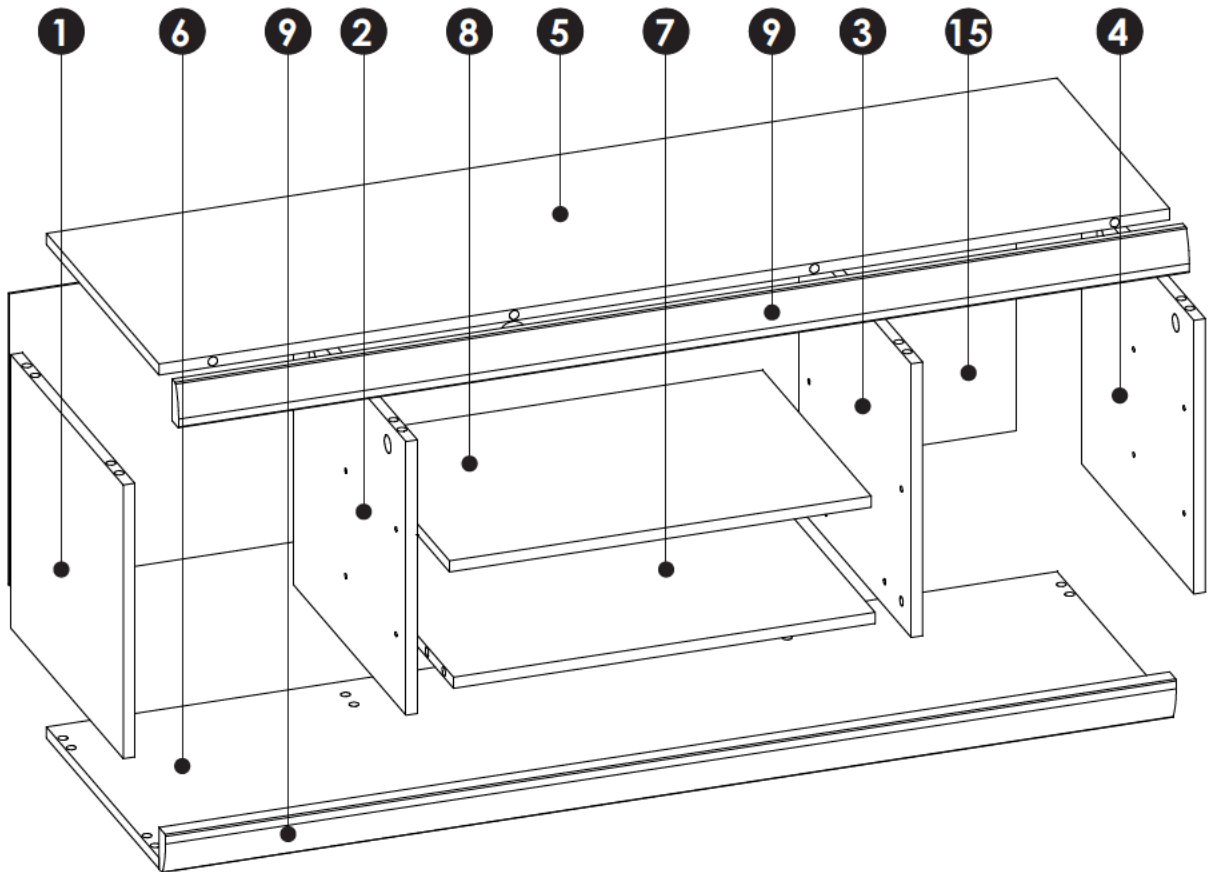
A1 x36 $\varnothing 8 \times 35$ mm 	C2 x16 EURO 5 x 13 mm 	D2 x4 
E0 x20 	E1 x20 	F1 x20 
G0 x8 	G1 x8 $\varnothing 7 \times 50$ mm 	H1 x4 
I8 x8 4 x 27 mm 	I10 x6 3,5 x 22 mm 	K1 x8 M4 x 9 mm 
M x1 	N1 x50 3 x 16 mm 	O1 x6 
P5 x2 $\varnothing 40$ 	S x1 	TO x8 L 250 

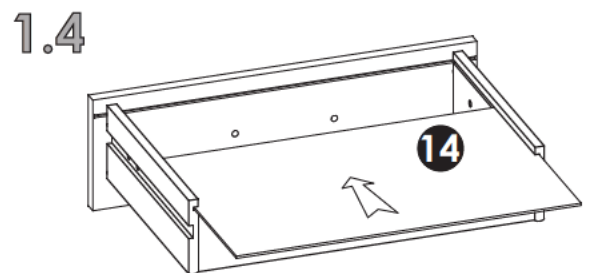
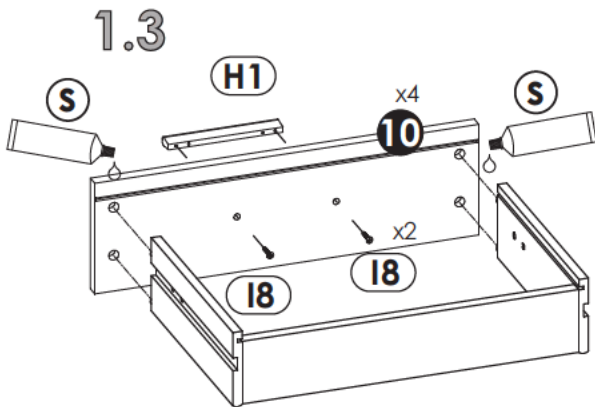
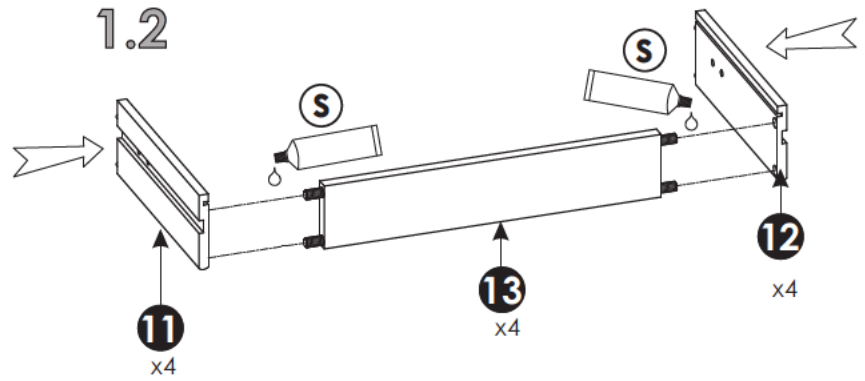
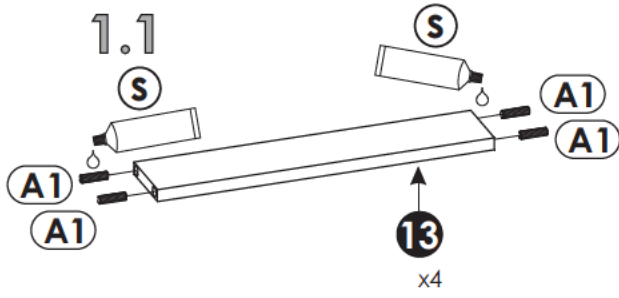
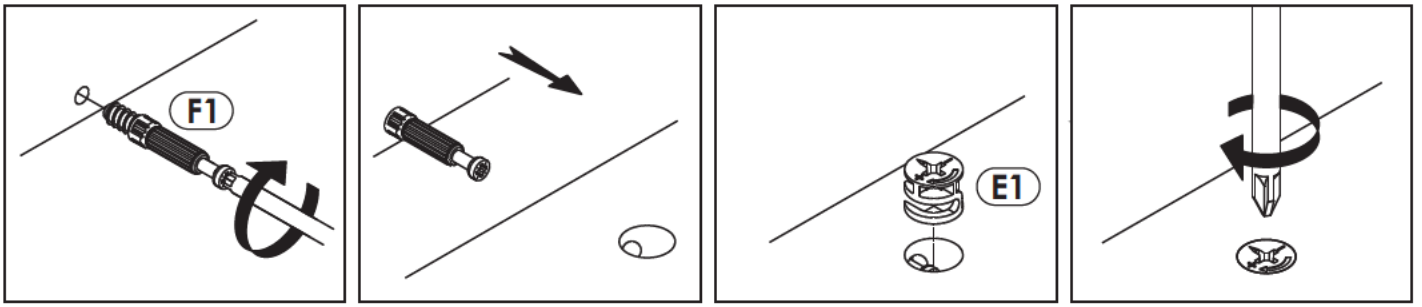




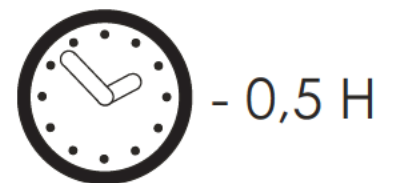
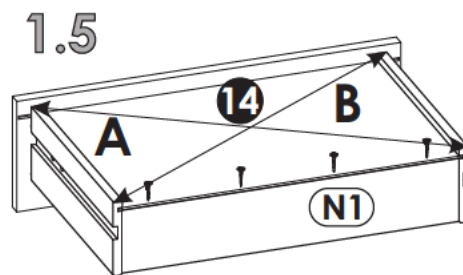
1	393	428	16	x1	1/1
2	393	428	16	x1	1/1
3	393	428	16	x1	1/1
4	393	428	16	x1	1/1
5	1400	428	16	x1	1/1
6	1400	428	16	x1	1/1
7	584	413	16	x1	1/1
8	584	428	16	x1	1/1

9	1400	60	25	x2	1/1
10	403	148	16	x4	1/1
11	350	100	12	x4	1/1
12	350	100	12	x4	1/1
13	343	84	16	x4	1/1
14	354	354	3	x4	1/1
15	1394	419	3	x1	1/1

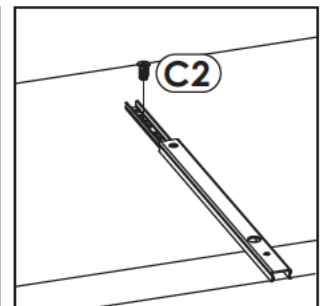
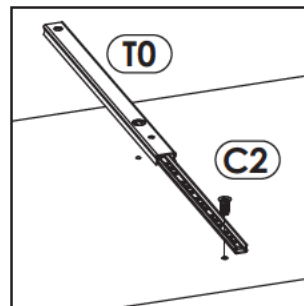
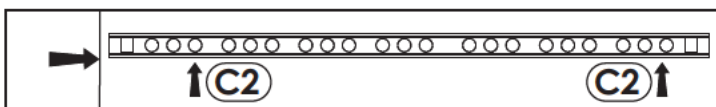
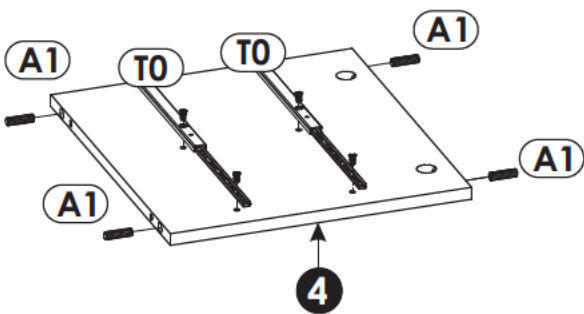
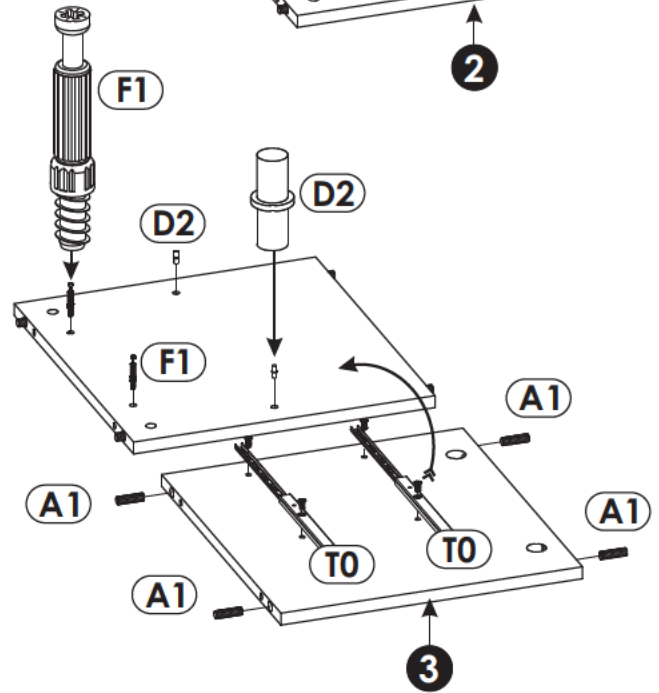
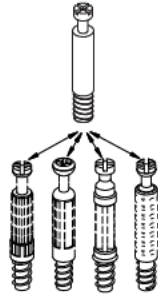
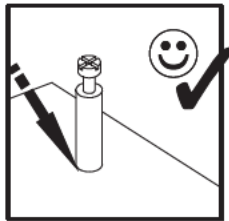
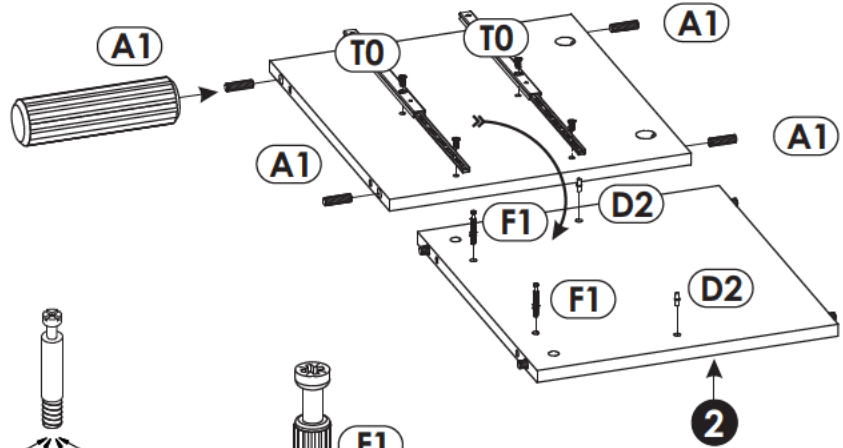
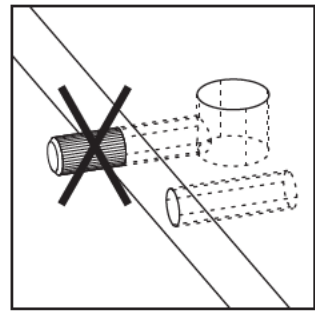
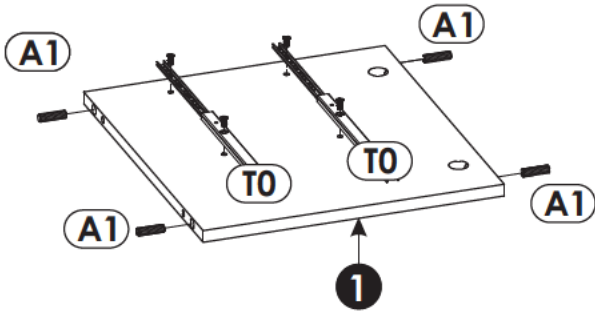




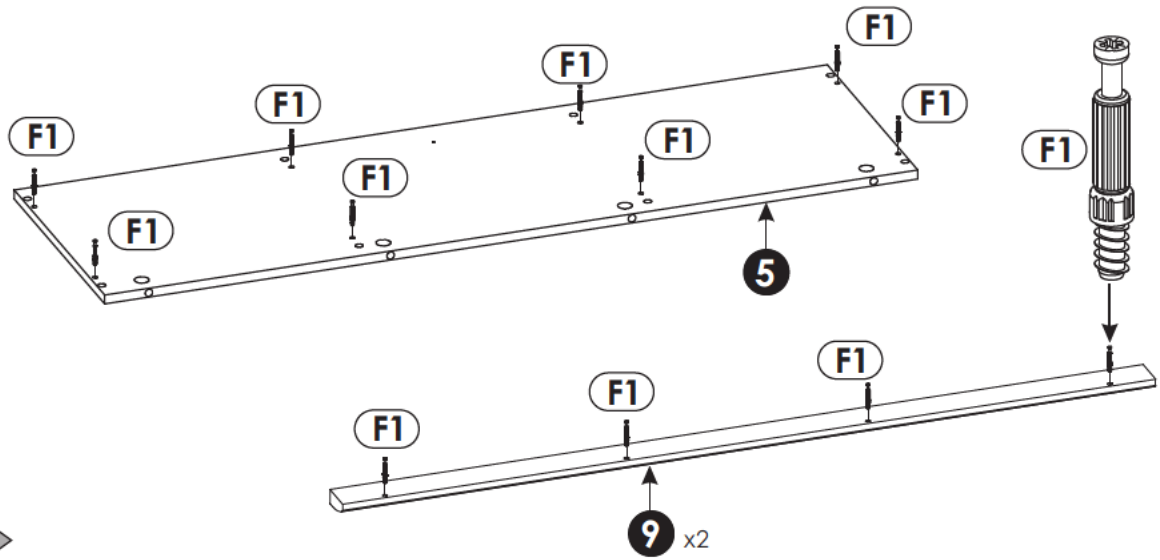
A=B



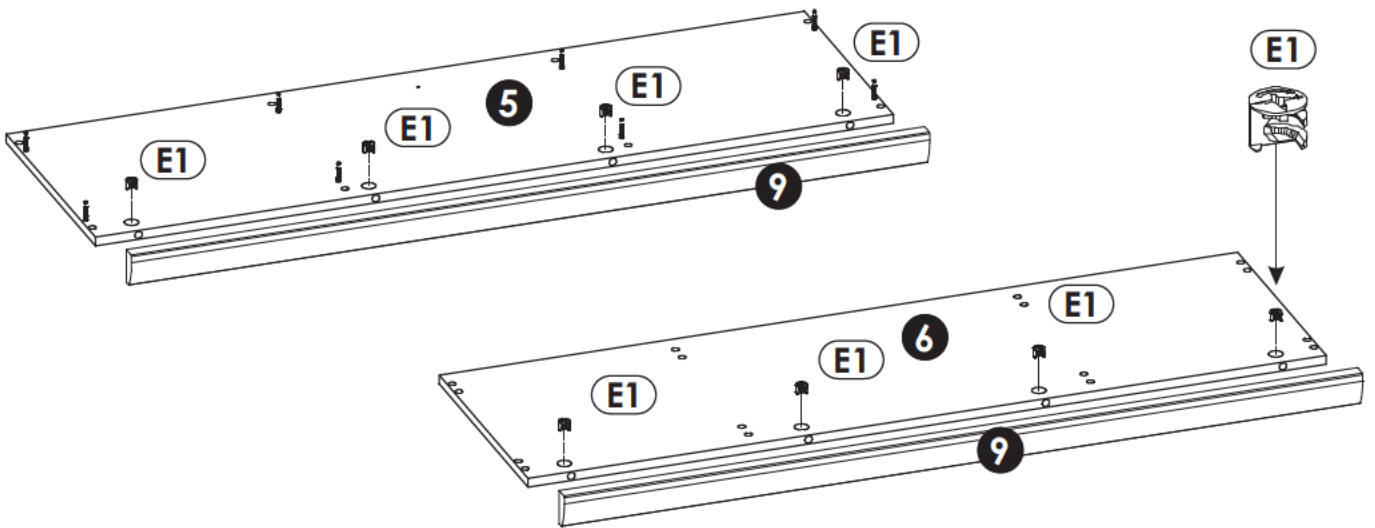
2 ▶



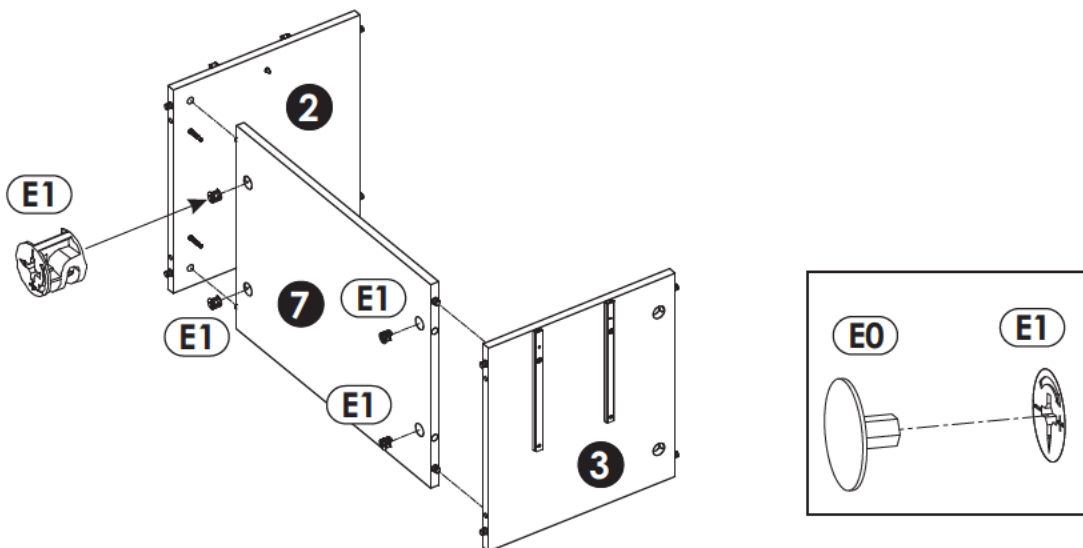
3 ▶



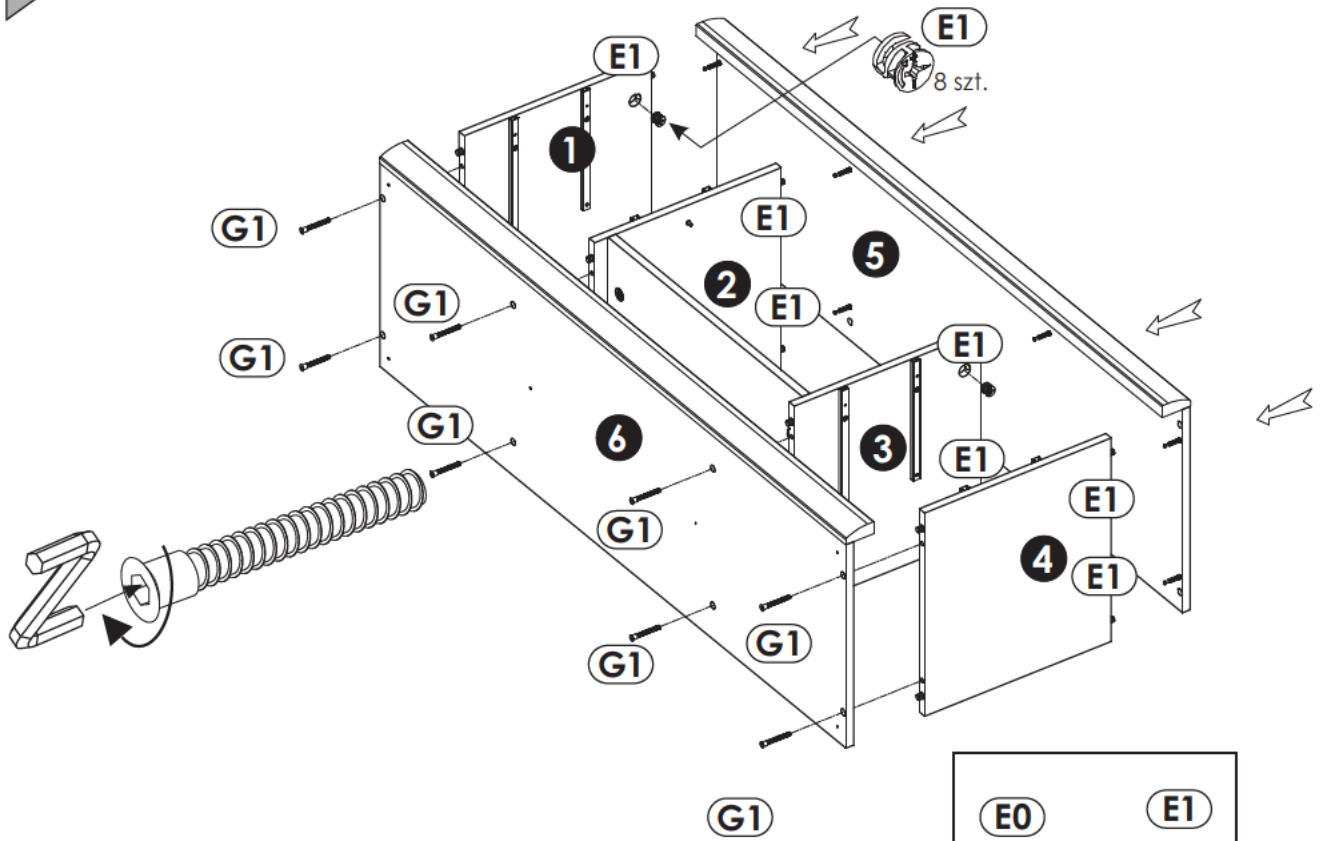
4 ▶



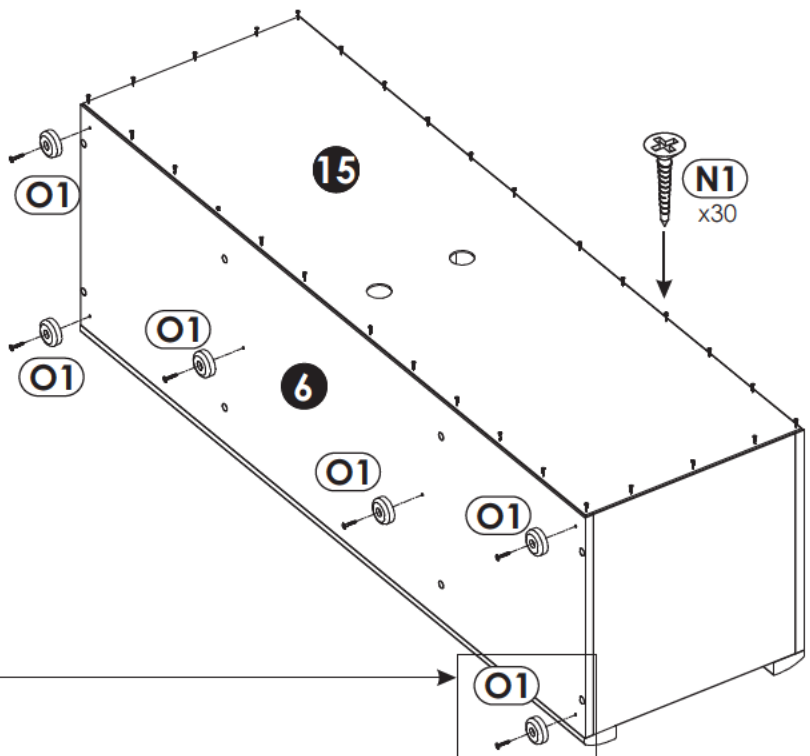
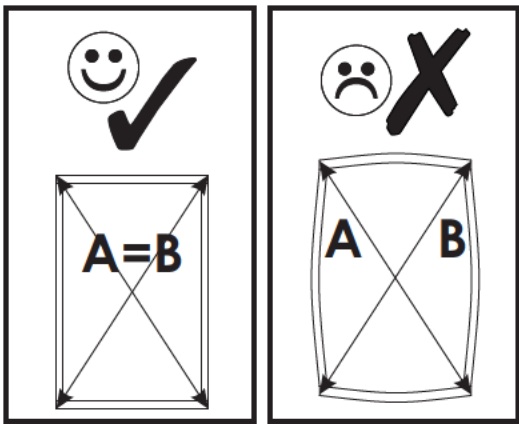
5 ▶



6 ▶



7 ▶



8 ▶

