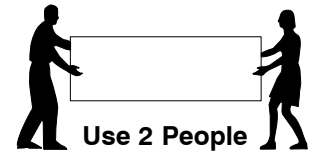
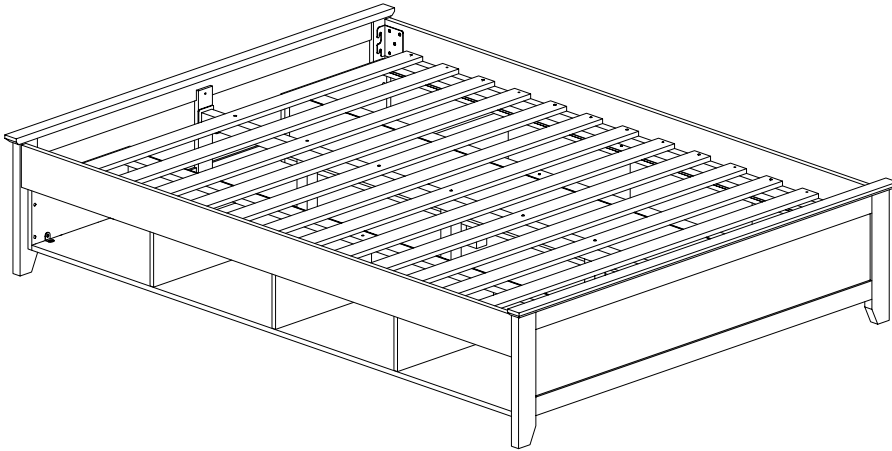


Full Bed

Assembly Instructions

W11-0919

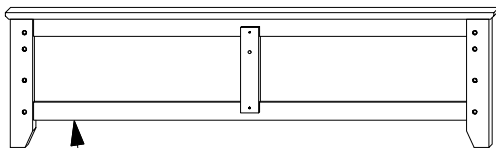
1 Assembled View



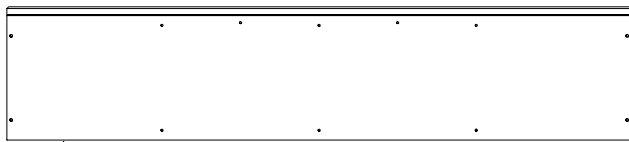
Note: Do not assemble using power tools. This can cause the bolts to be overtightened

2 Parts List

Parts in Box A:



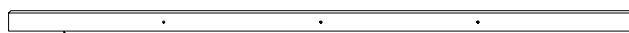
A Head / Footboard x 2



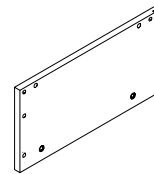
B Storage Bottom Panel x 2



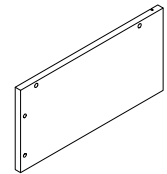
C Storage Back Panel x 2



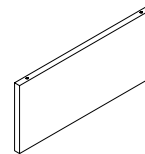
D Storage Support Rail x 4



E Storage Side Panel (Left Hand) x 2



F Storage Side Panel (Right Hand) x 2

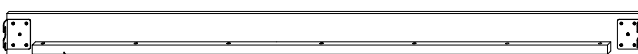


G Storage Divider x 6

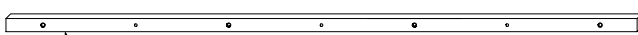


H Storage Foot x 4

Parts in Box B:



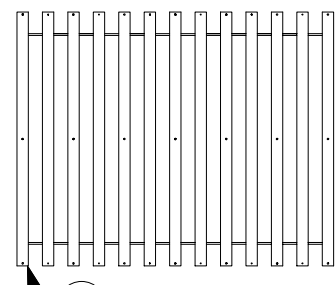
J Side Rail x 2



K Long Support x 1



L Support Leg x 3




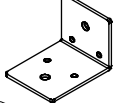

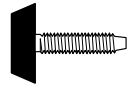

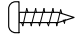
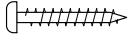



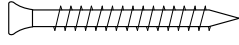
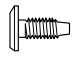
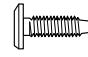




M Set of Bed Slats x 1

Full Bed

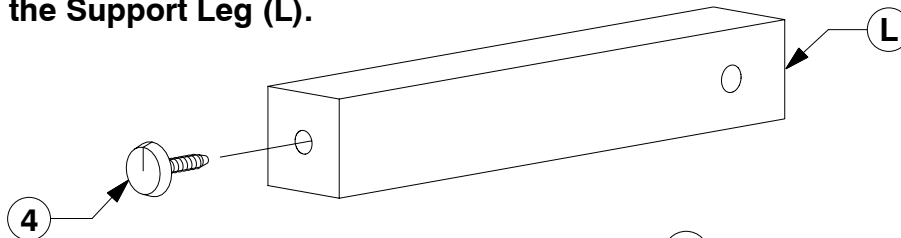
Assembly Instructions

W11-0919

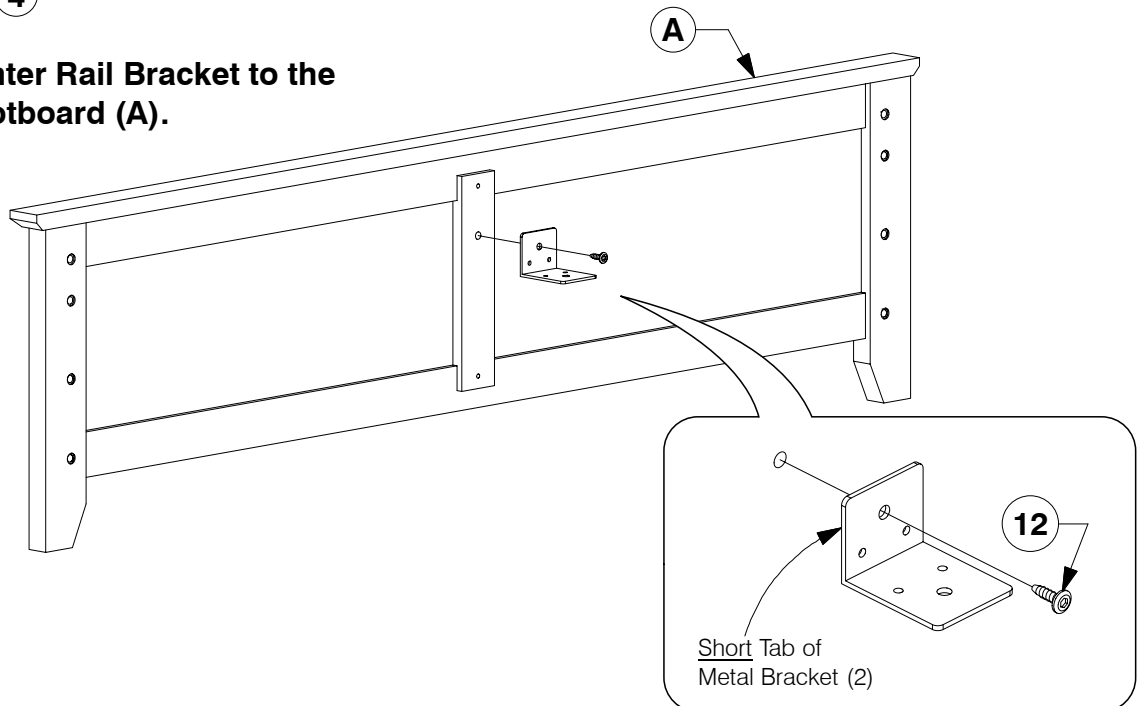
3 Hardware List

- | | | | | |
|---|--|---|--|---|
| 
1 M4 Allen Key
x 1 | 
2 Center Rail Bracket
x 2 | 
3 'L' Bracket
x 8 | 
4 Adjustable Foot
x 3 | 
5 Barrel Nut
x 3 |
| 
6 Wood Screw
(M4 x 16mm) x 12 | 
7 Wood Screw
(M4 x 32mm) x 12 | 
8 Wood Dowel
(M8 x 30mm) x 8 | 
9 Spring Washer
x 8 | 
10 Flat Washer
x 8 |
| 
11 CSK Cap Wood Screw
(M6 x 60mm) x 24 | 
12 M6 x 15mm JCB
x 20 | 
13 M6 x 20mm JCB
x 8 | 
14 M6 x 30mm JCB
x 8 | |
| 
15 M6 x 40mm JCB
x 22 | 
16 M6 x 60mm JCB
x 8 | 
17 M6 x 100mm JCB
x 3 | | |

4 Fix the Adjustable foot to the bottom of the Support Leg (L).



5 Fit the Center Rail Bracket to the Head / Footboard (A).

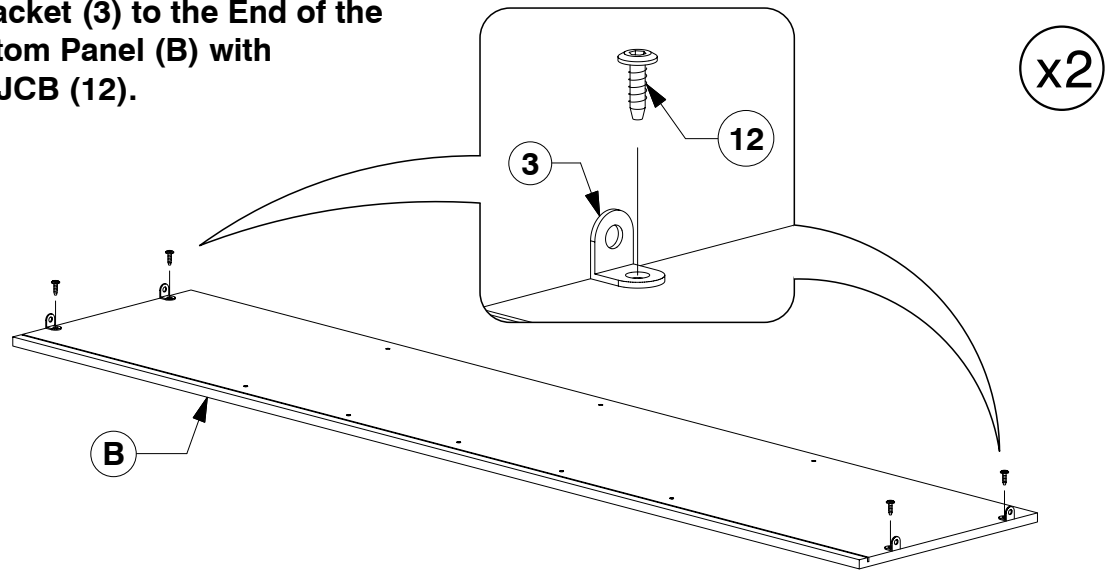


Full Bed

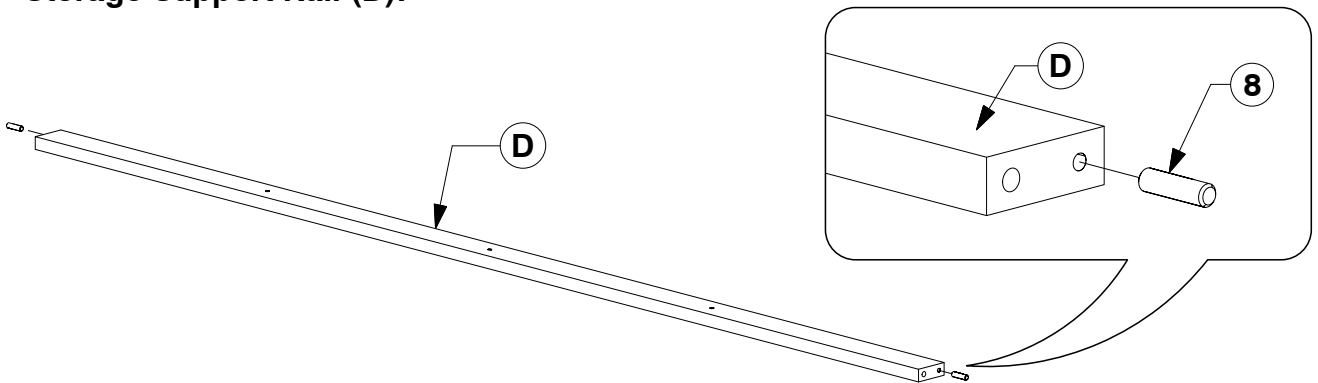
Assembly Instructions

W11-0919

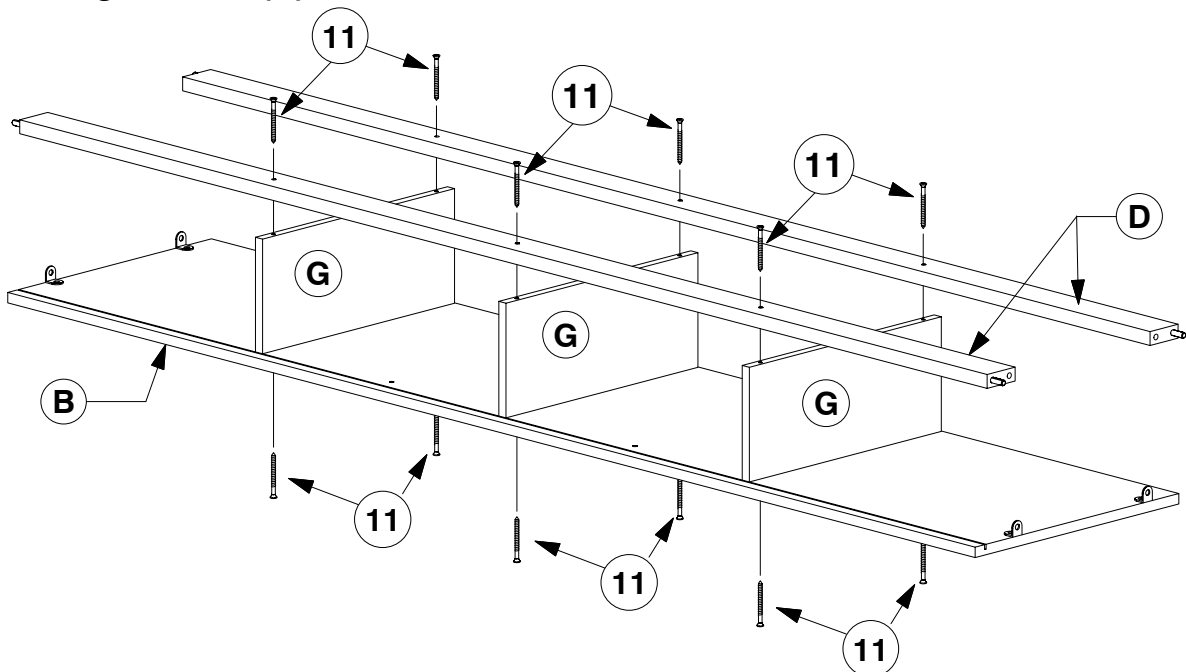
- 6** Fit the 'L' Bracket (3) to the End of the Storage Bottom Panel (B) with M6 x 15mm JCB (12).



- 7** Tap the Wood Dowel to the end of the Storage Support Rail (D).



- 8** Assemble the Storage Bottom Panel (B) & Support Rail (D) to the Storage Divider (G).



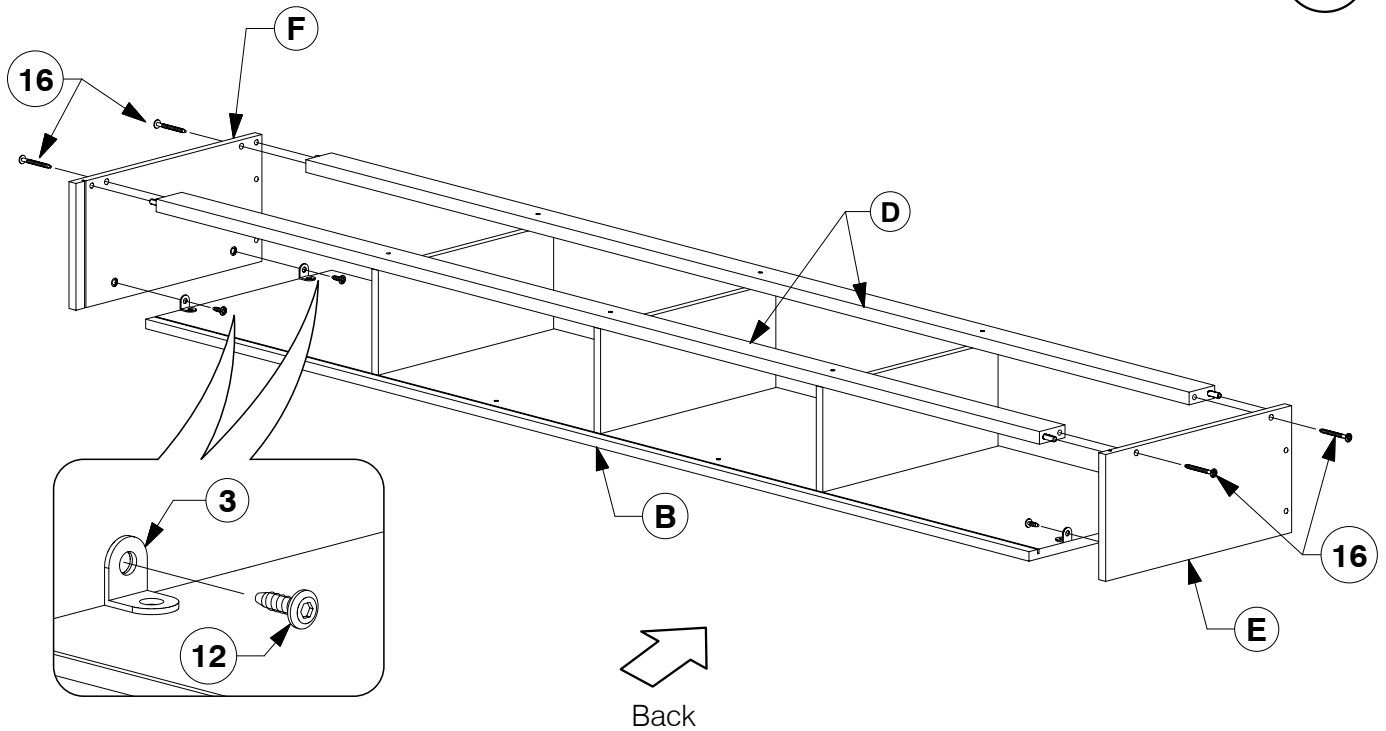
Full Bed

Assembly Instructions

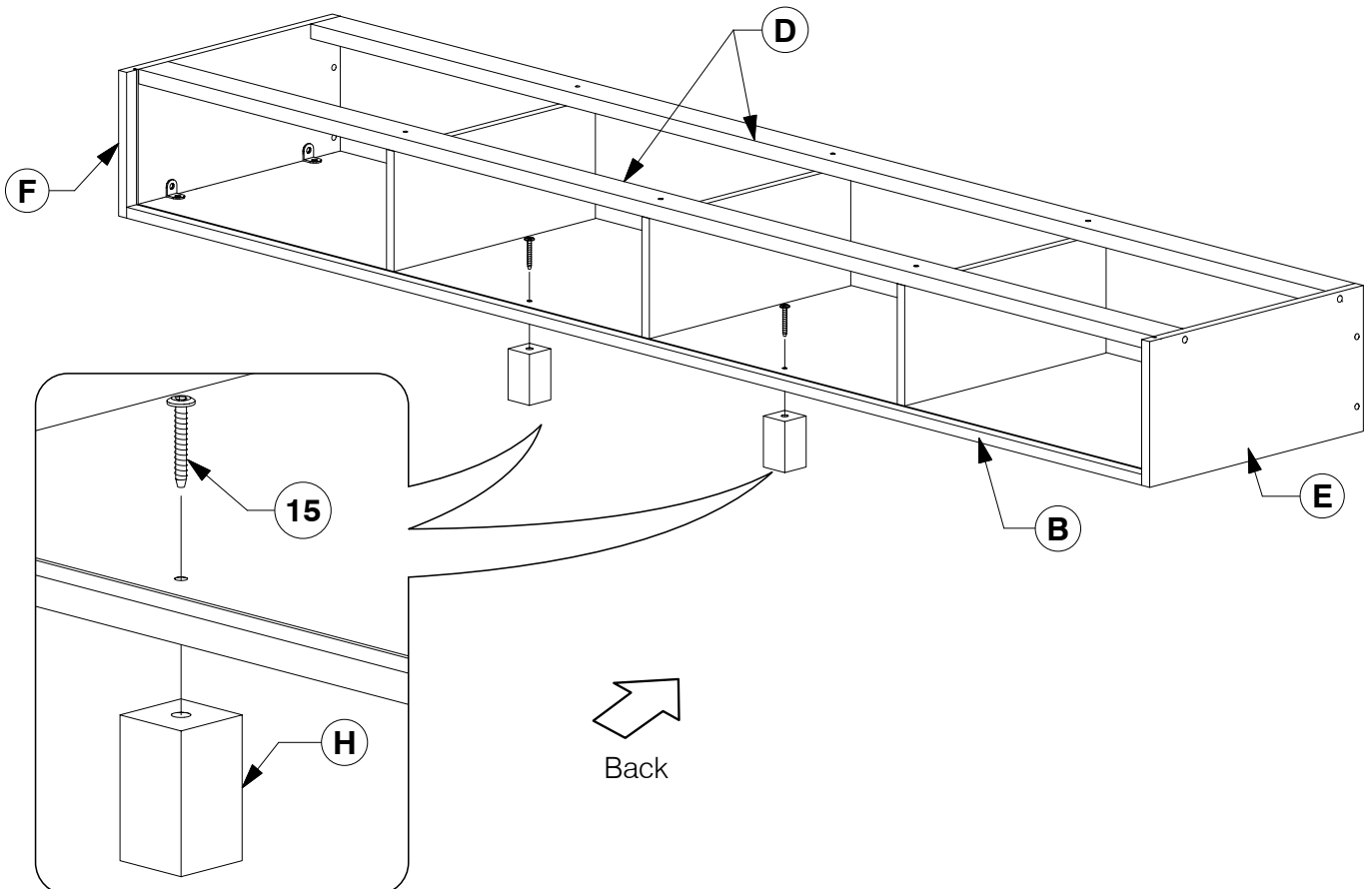
W11-0919

- 9 Assemble the Storage Side Panel (E & F) to the Storage Bottom Panel & Support Rail (B & D).**

x2



- 10 Fit the Storage Foot (H) to the Storage Bottom Panel (B).**



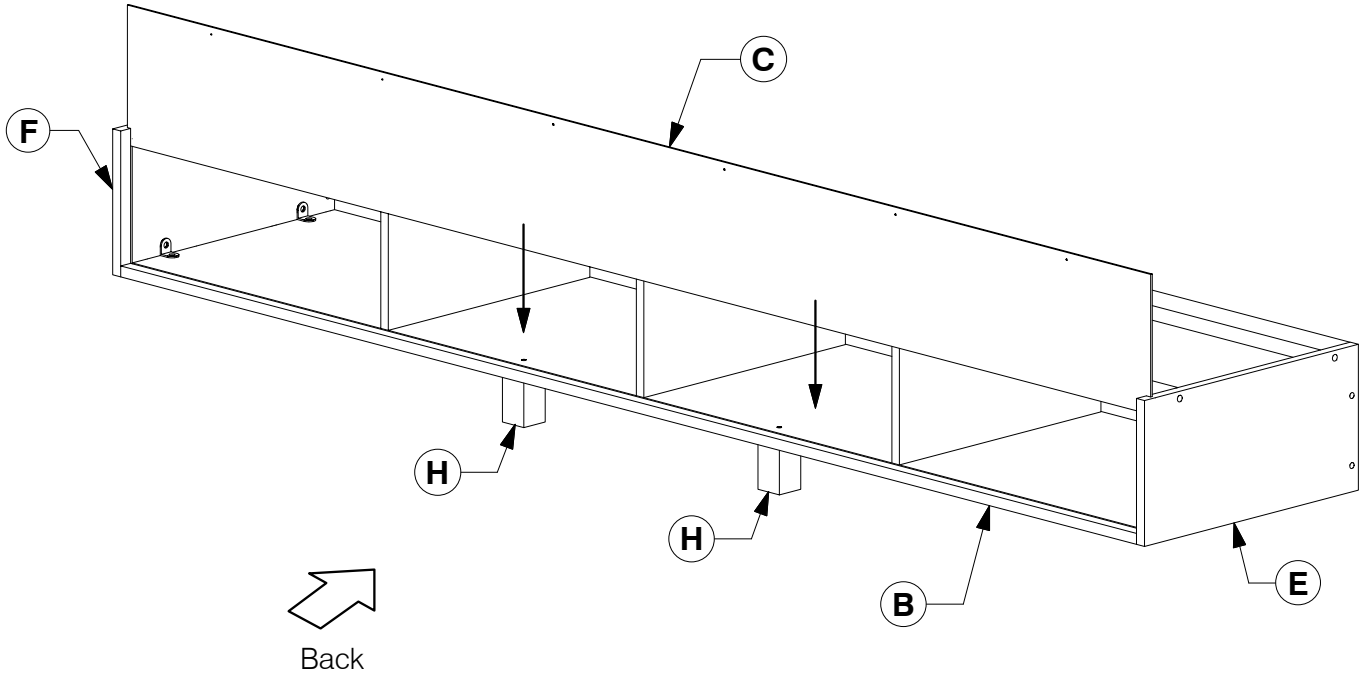
Full Bed

Assembly Instructions

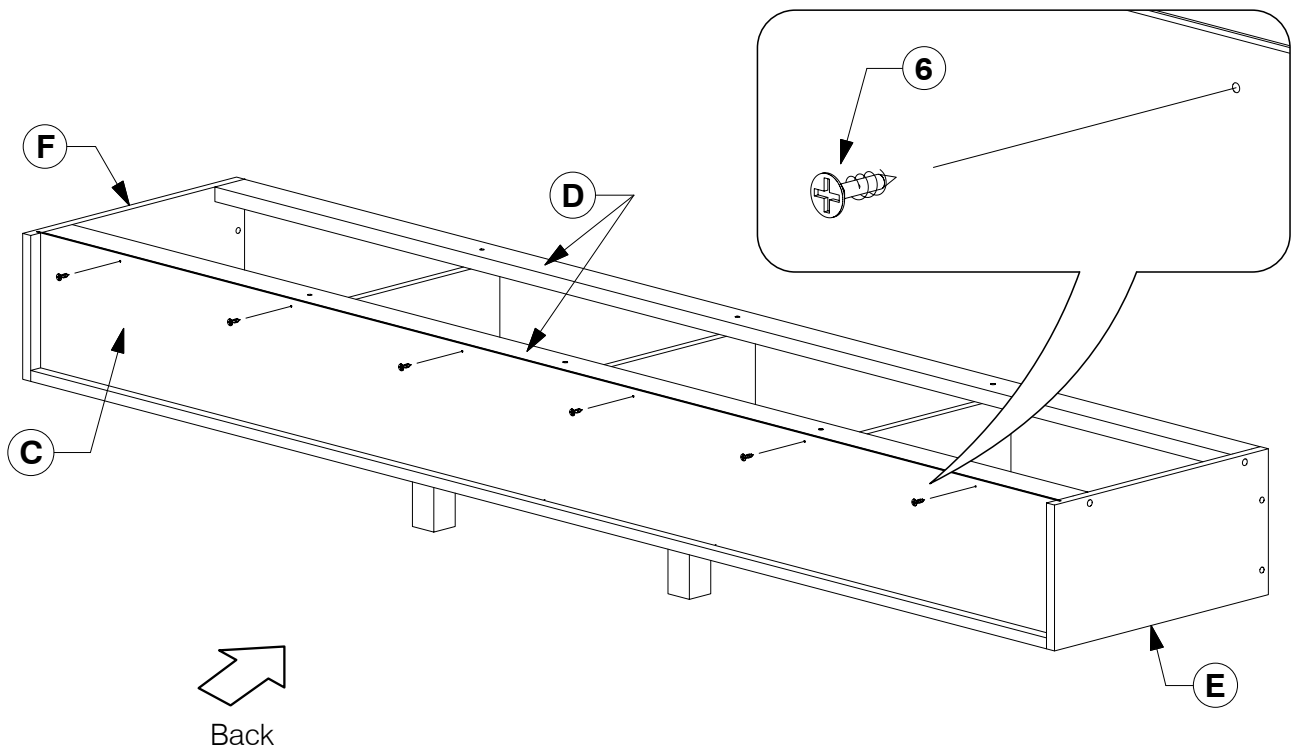
W11-0919

11 Slide the Storage Back Panel (C) into the groove.

x2



12 Fit the Storage Back Panel (C) in place.

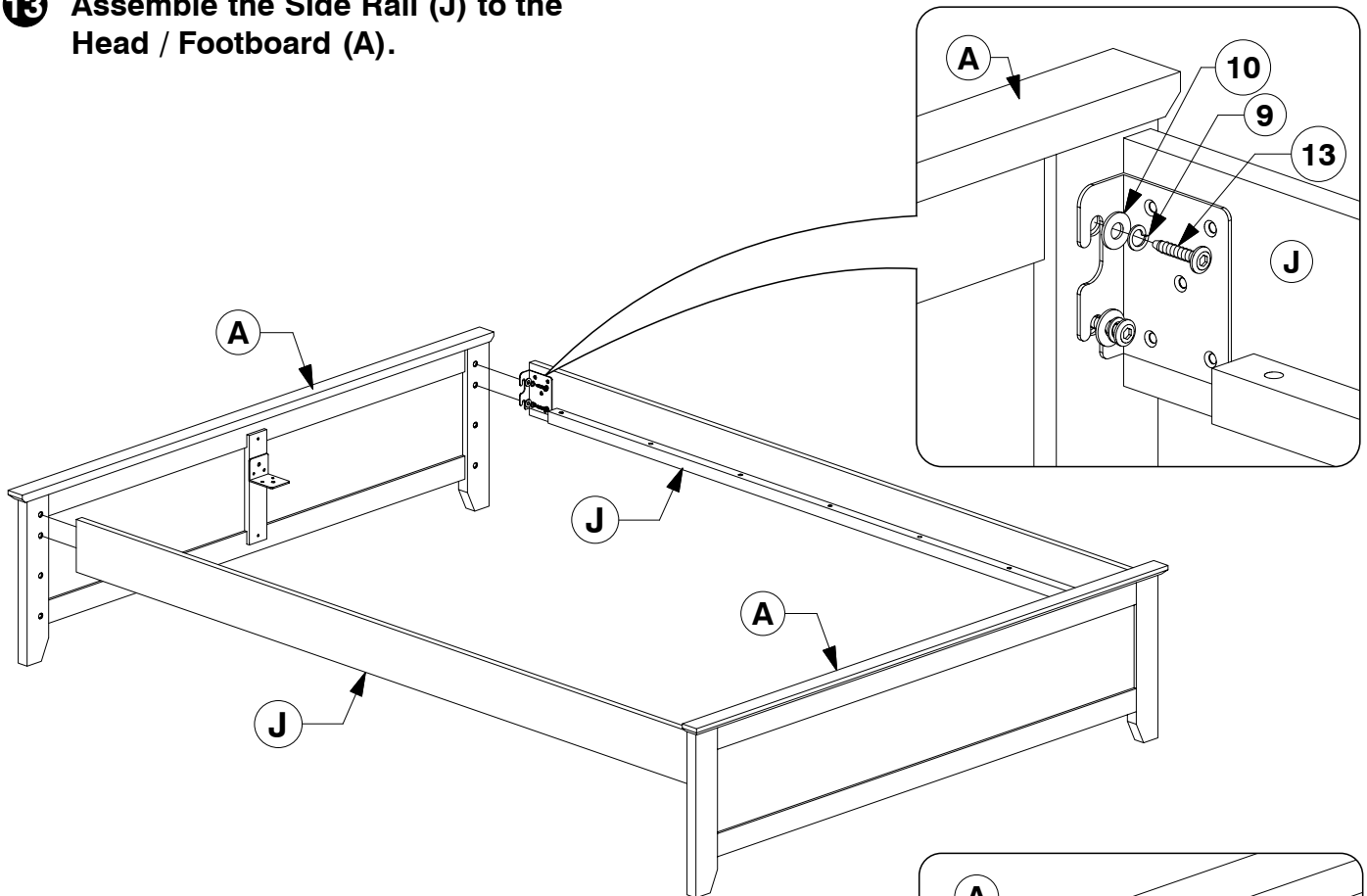


Full Bed

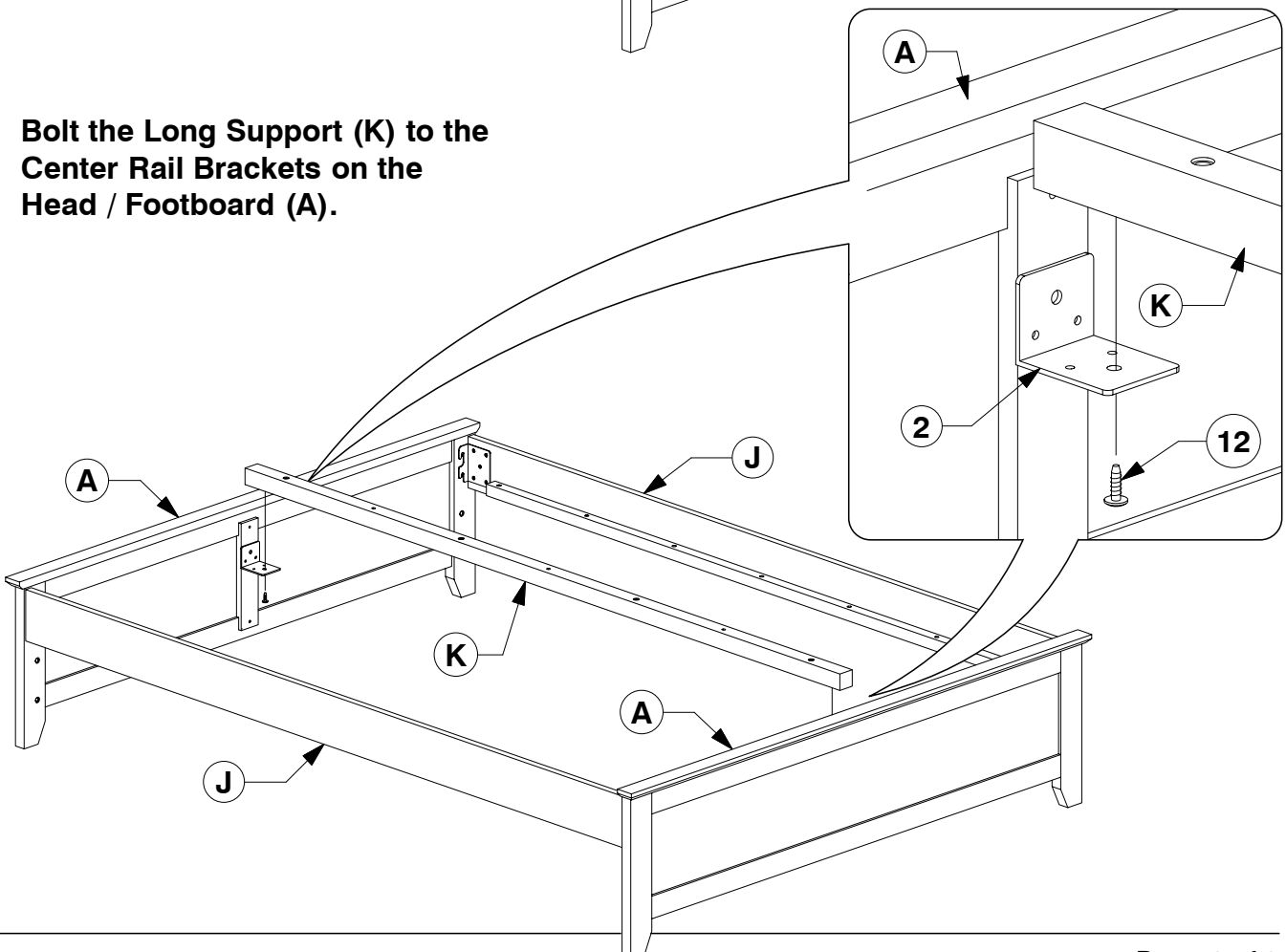
Assembly Instructions

WII-0919

- 13** Assemble the Side Rail (J) to the Head / Footboard (A).



- 14** Bolt the Long Support (K) to the Center Rail Brackets on the Head / Footboard (A).

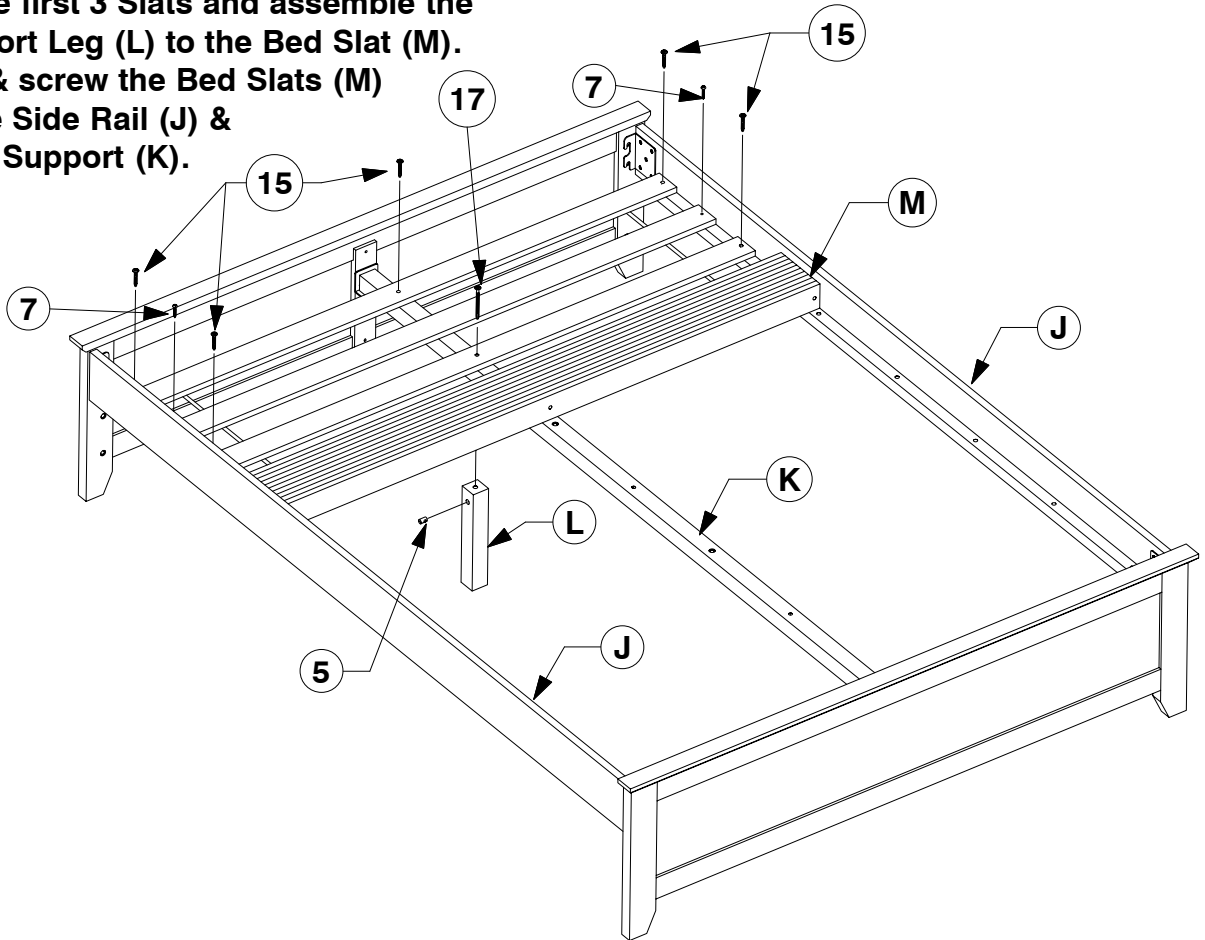


Full Bed

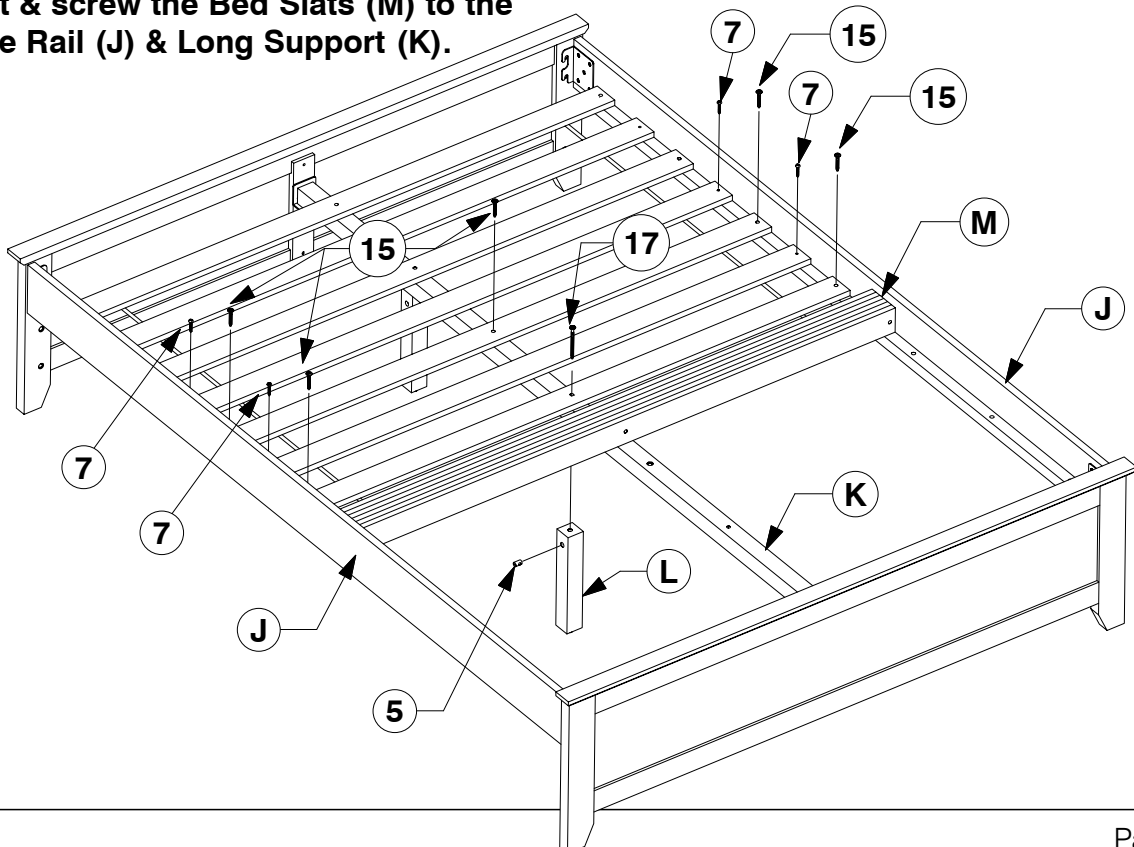
Assembly Instructions

W11-0919

- 15** Fit the first 3 Slats and assemble the Support Leg (L) to the Bed Slat (M). Bolt & screw the Bed Slats (M) to the Side Rail (J) & Long Support (K).



- 16** Fit the other Slats out and assemble the Support Leg (L) to the Bed Slat (M). Bolt & screw the Bed Slats (M) to the Side Rail (J) & Long Support (K).

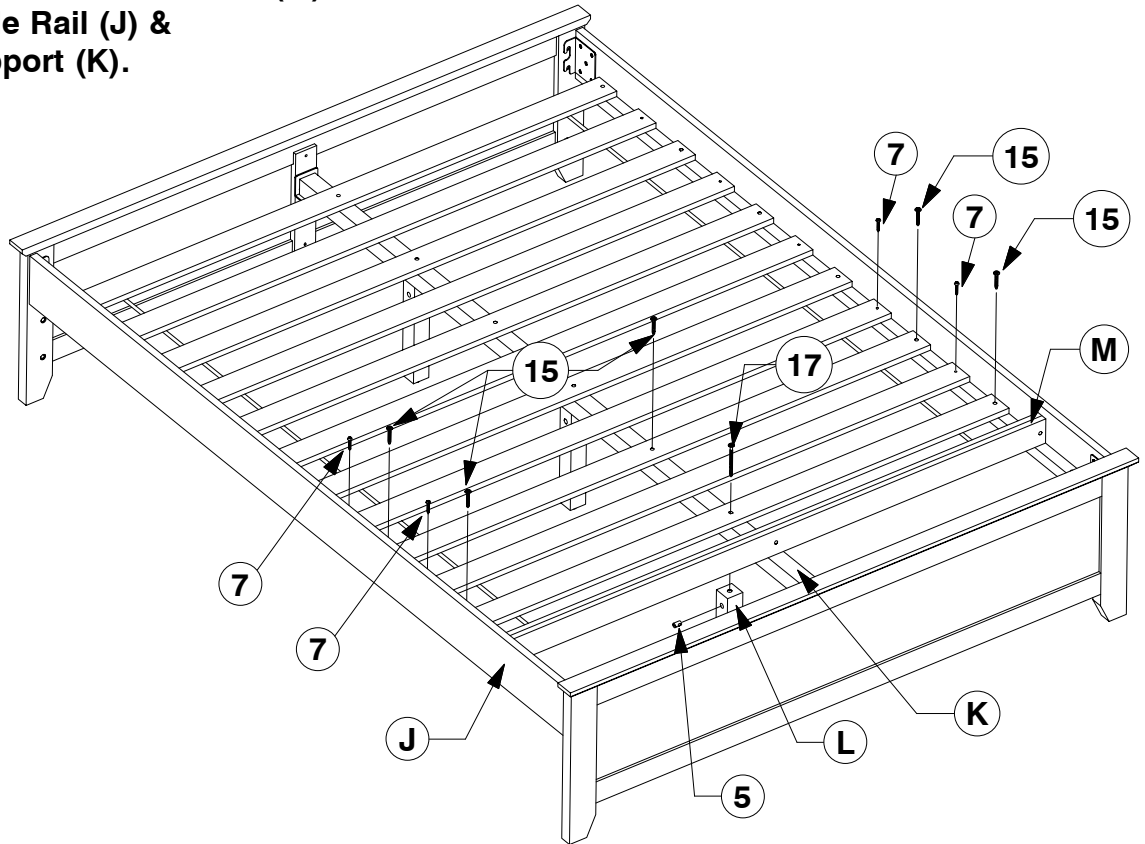


Full Bed

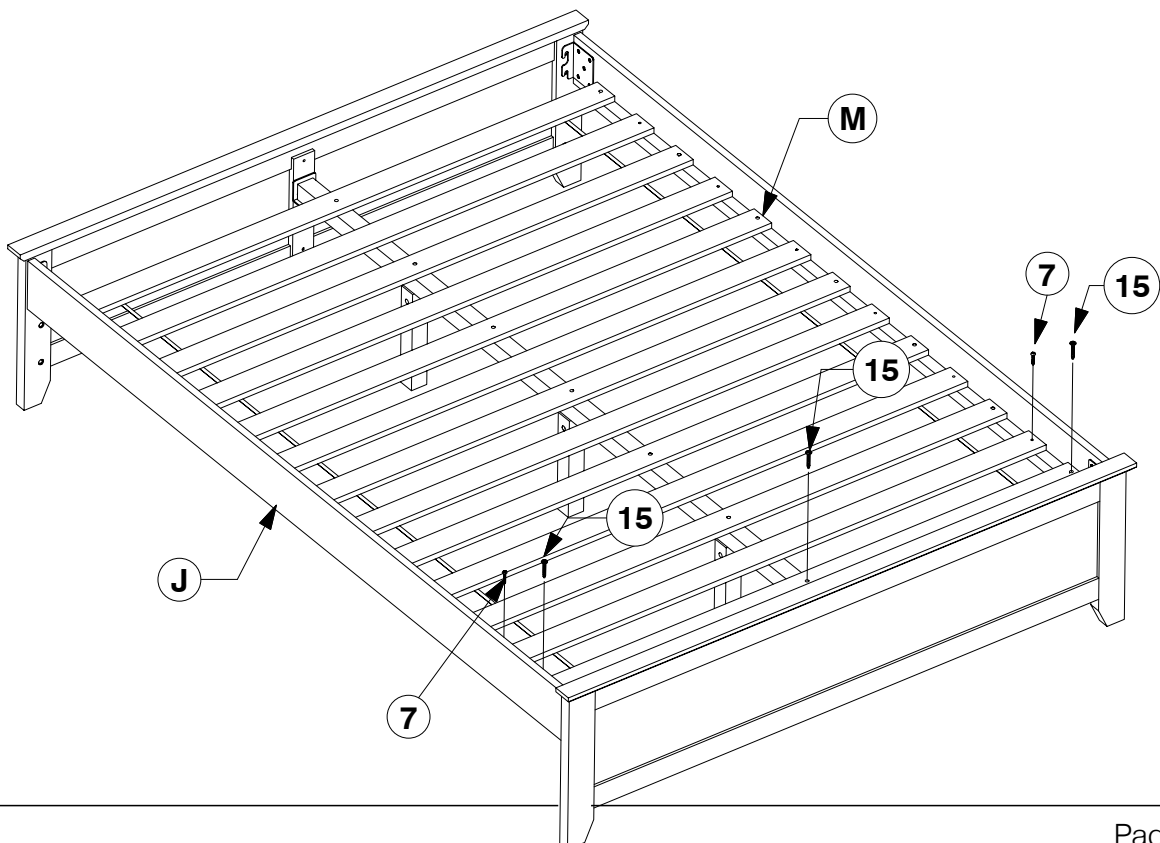
Assembly Instructions

W11-0919

- 17** Fit the other Slats out and assemble the Support Leg (L) to the Bed Slat (M). Bolt & screw the Bed Slats (M) to the Side Rail (J) & Long Support (K).



- 18** Bolt & screw the remaining Bed Slats (M) to the Side Rail (J).

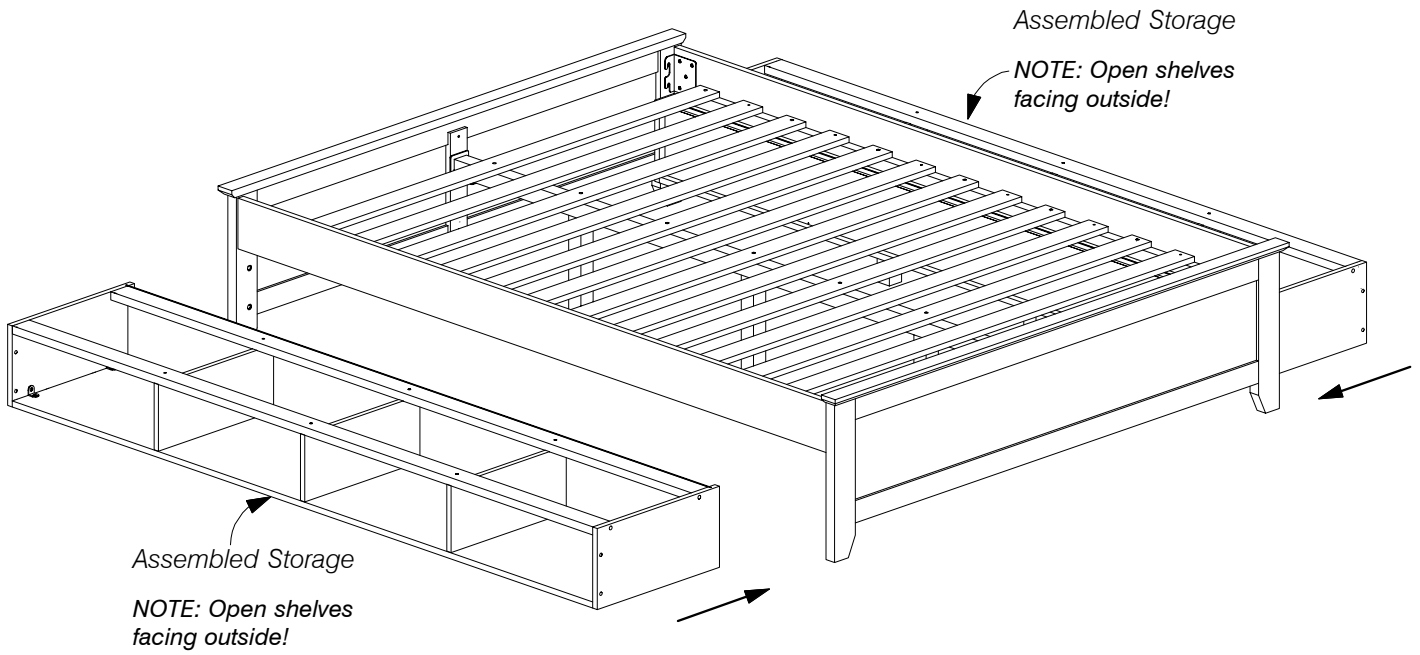


Full Bed

Assembly Instructions

W11-0919

19 Fit the Assembled Storage under the Bed Frame.



20 Bolt the Assembled Storage to the Bed Frame with M6 x 30mm JCB (14).

