

Operating Instruction

Wall clock silent sweep movement service life about 10-15 years and it is affected by using methods, batteries and environmental factors maybe shortened or extended, please love and protect it.

Technical indicators:

Product of our clock has already passed CE and ROHS authentication.

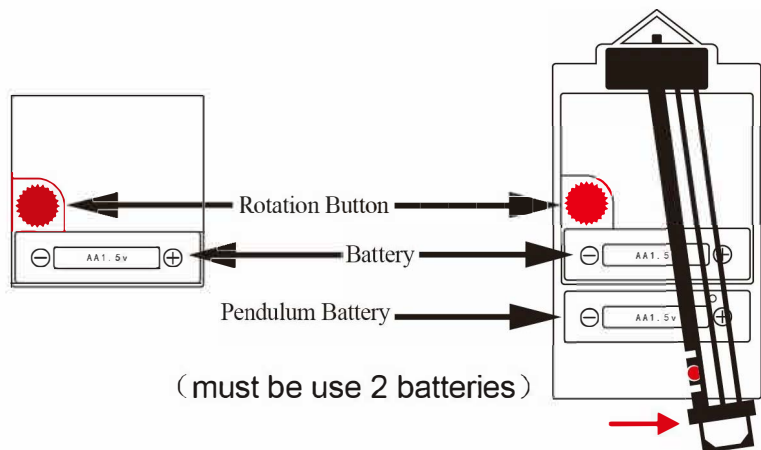
*Operating temperature: -10°C — +50°C

*Average power: <150-170mA At 1.5V DC>

*Average daily difference: -0.8 — +1.2 Sec/Day

Clock Installation Instructions

- (1) Pendulum design clock: Unlock the buckle of the pendulum to the right (if the clock without pendulum then just started since step "2")
- (2) Install 1.5V AA battery according to the "+" "-" mark on the movement. (Please refer to the battery installation)
- (3) Adjust rotation button back of the movement used to calibration time.
- (4) Prepare hammer, find a location that you want to hanging the clock and hammered a seamless hook into the wall (be careful with your finger), hanging the clock and put it in the right place.
- (5) Installation the pendulum (please refer to the "pendulum Installation"), if the clock without pendulum just ignore.



Installation Pendulum

Pls refer to "Clock Installation Instructions Step 1-4"

- (1) The metal hook hanging in plastic pendulum hole and pinched tightly metal hook (pls refer to attached photo)
- (2) Swing the metal pendulum left and right by hands and then it will automatically swing.

Tips:

Keep parallel between wall and clock, pendulum can not touch the wall also.

Installation batteries

- (1) Battery "+" must be to the right
- (2) Pendulum Design: Installation 2 batteries and all of the "+" must be to the right.

Tips:

- (1) Don't use high current battery avoid damage to the movement and affect service life.
- (2) When you found the clock slows down and swing amplitude decrease pls check the batteries timely and change new battery.
- (3) Please use a soft fabric gently wipe it to keep the clock clean. Don't put the clock in wet, high temperature, soot and other adverse environments. Don't impact it.
- (4) If there are any problems during use and installation, please contact with us in email or skype, we will reply as soon as possible.