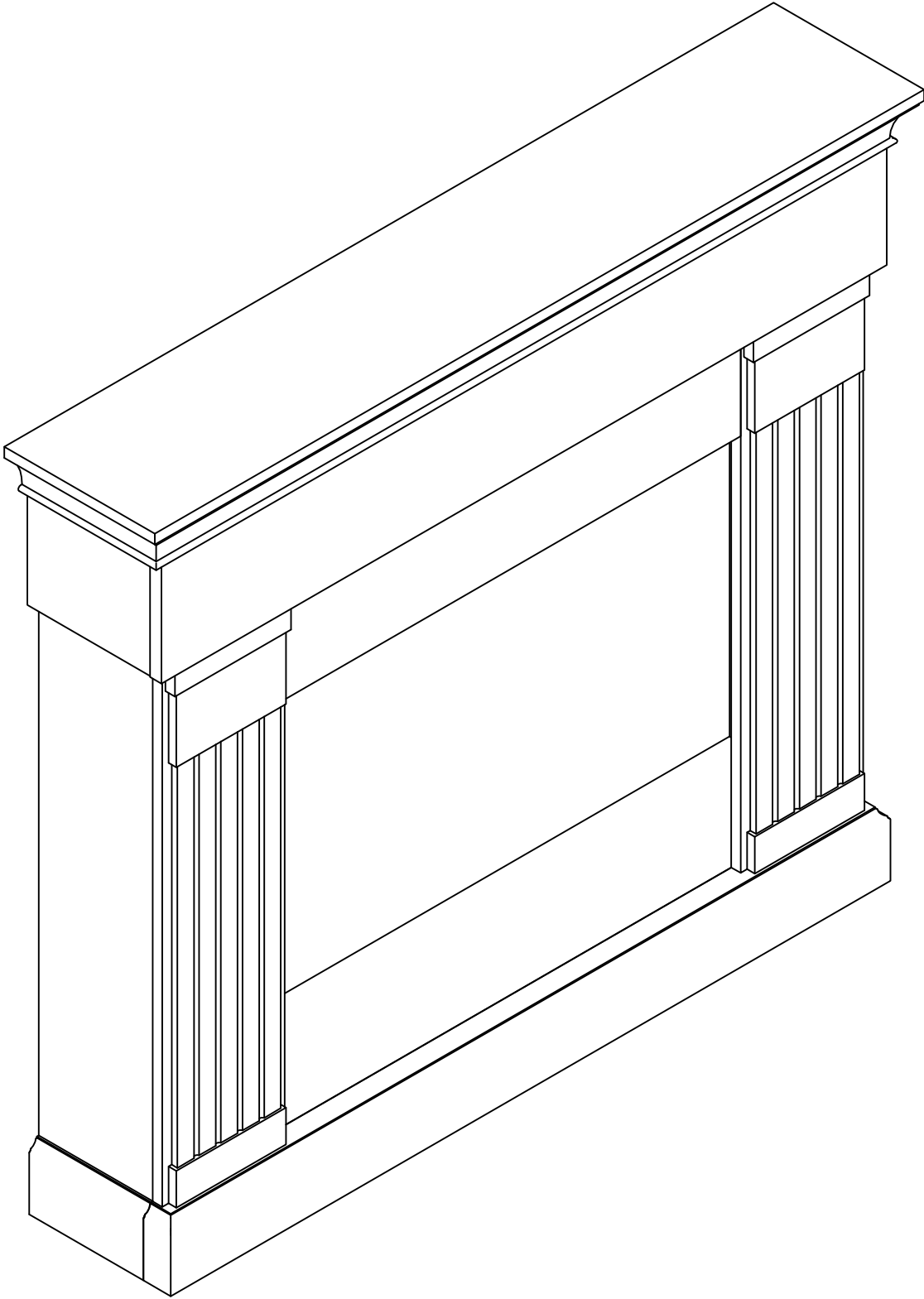


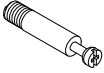
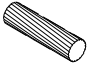



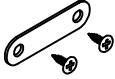
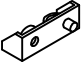




SX208-28 ASSEMBLY STEPS

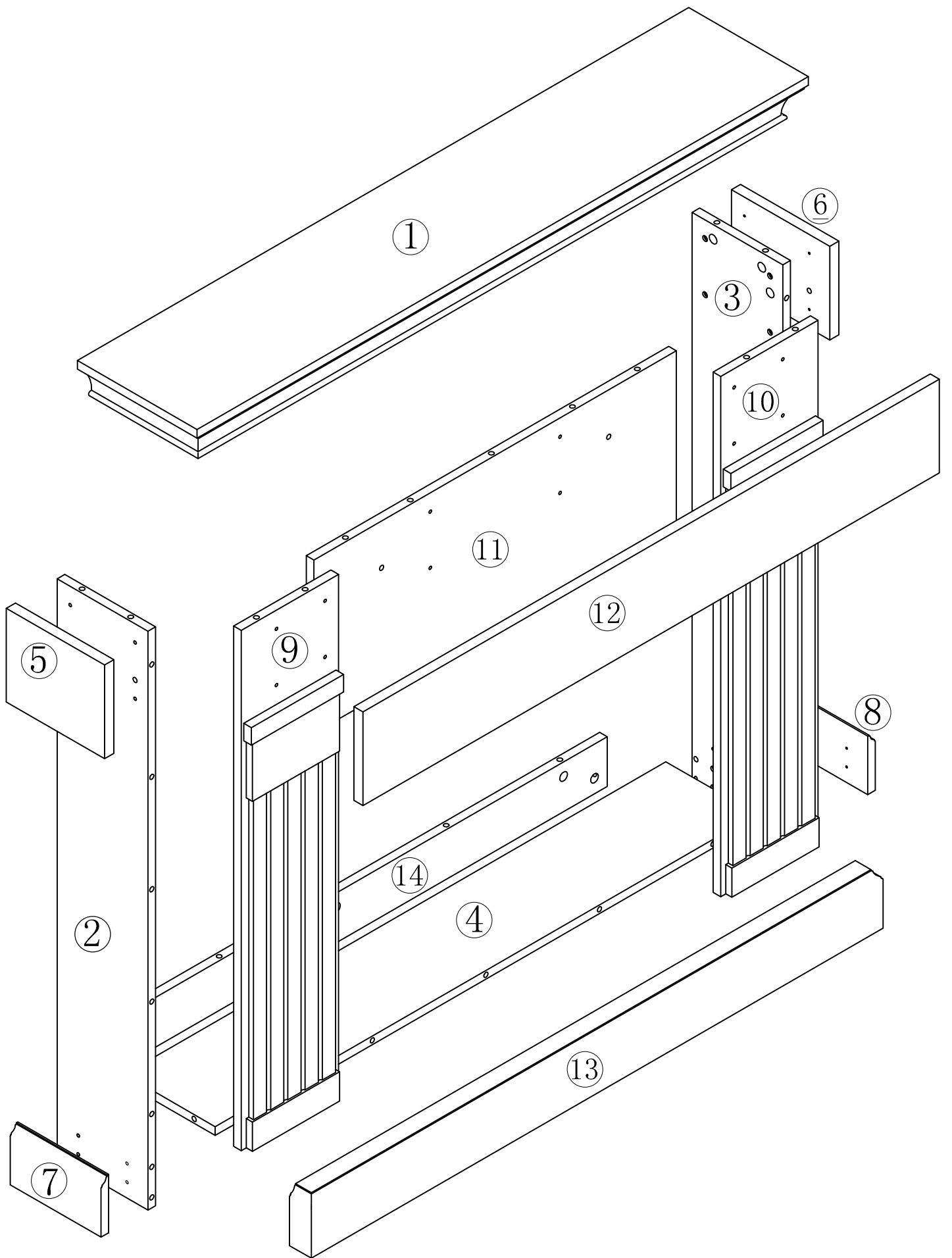


PART
IDENTIFICATION:

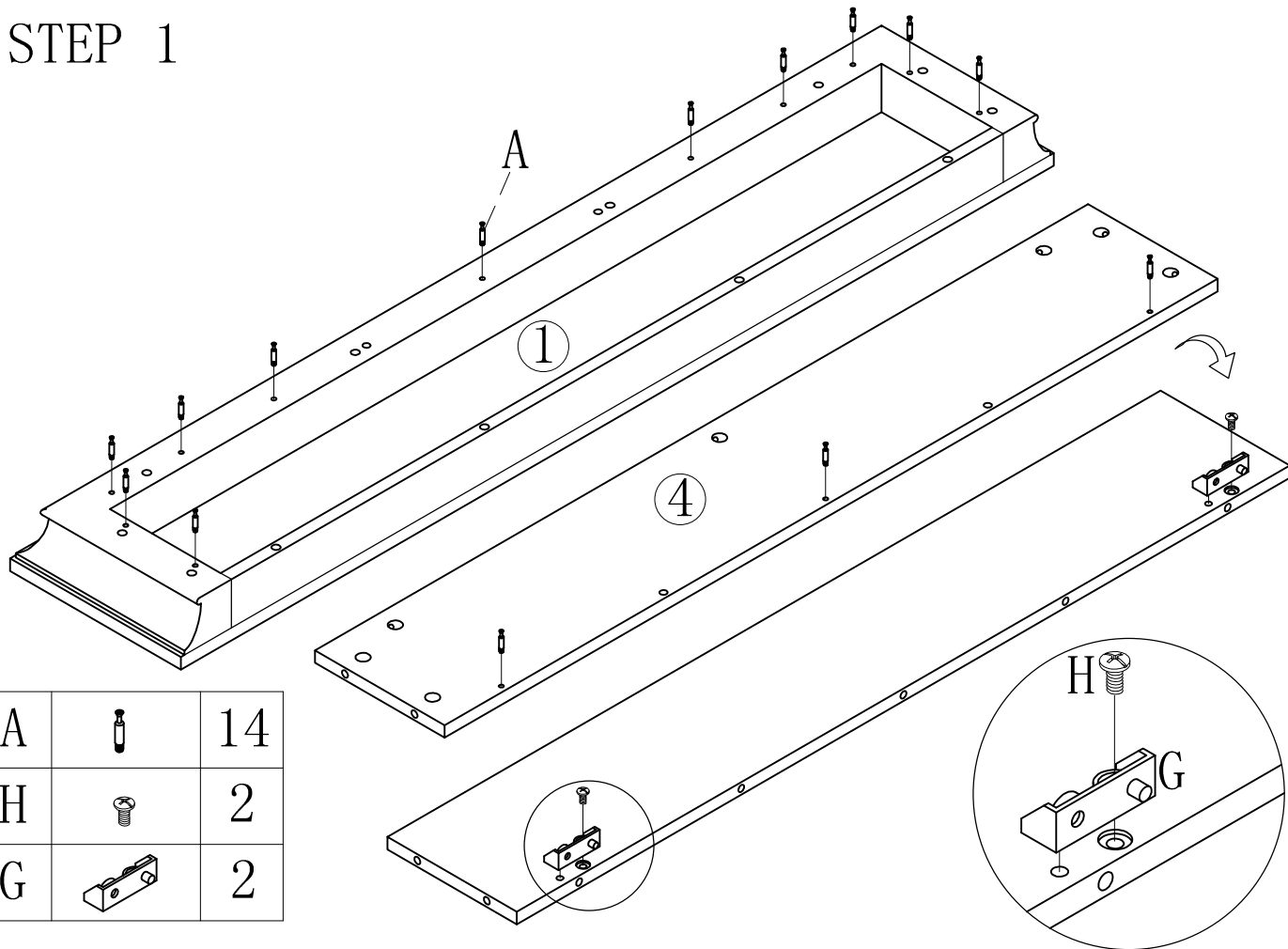
CODE	DESCRIPTION	QTY
1	Top Panel	1
2	Left Side Panel	1
3	Right Side Panel	1
4	Case	1
5	Left Side Upper Panel	1
6	Right Side Lower Panel	1
7	Left Side Lower Panel	1
8	Right Side Lower Panel	1
9	Left Front Panel	1
10	Right Front Panel	1
11	Upper Center Panel	1
12	Upper Panel	1
13	Front Lower Panel	1
14	Back Lower Panel	1



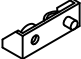
IDENTIFICATION

CODE	PICTURE	DESCRIPTION	QTY
A		Cam Bolt	33
B		Wood Dowel	12
C		Cam Lock	33
D		Long Screw	28
E		Plastic Cover	17
F		Slice of Iron	4
G		Plastic Connector	2
H		Bolt	4
I		Wood Dowel	6
J		Touch-up Pen	1
K		Fall Prevention Hardware	2

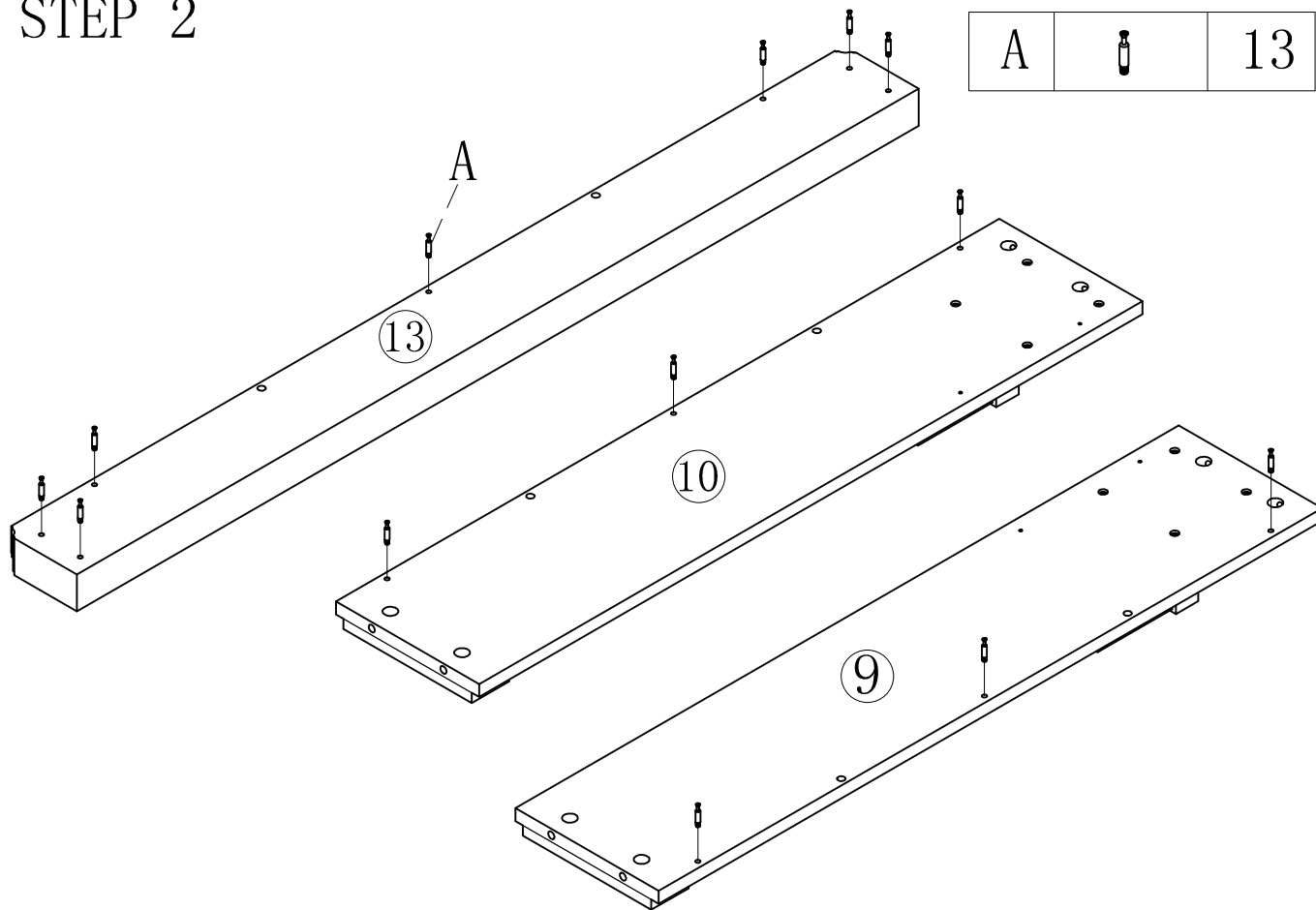



STEP 1



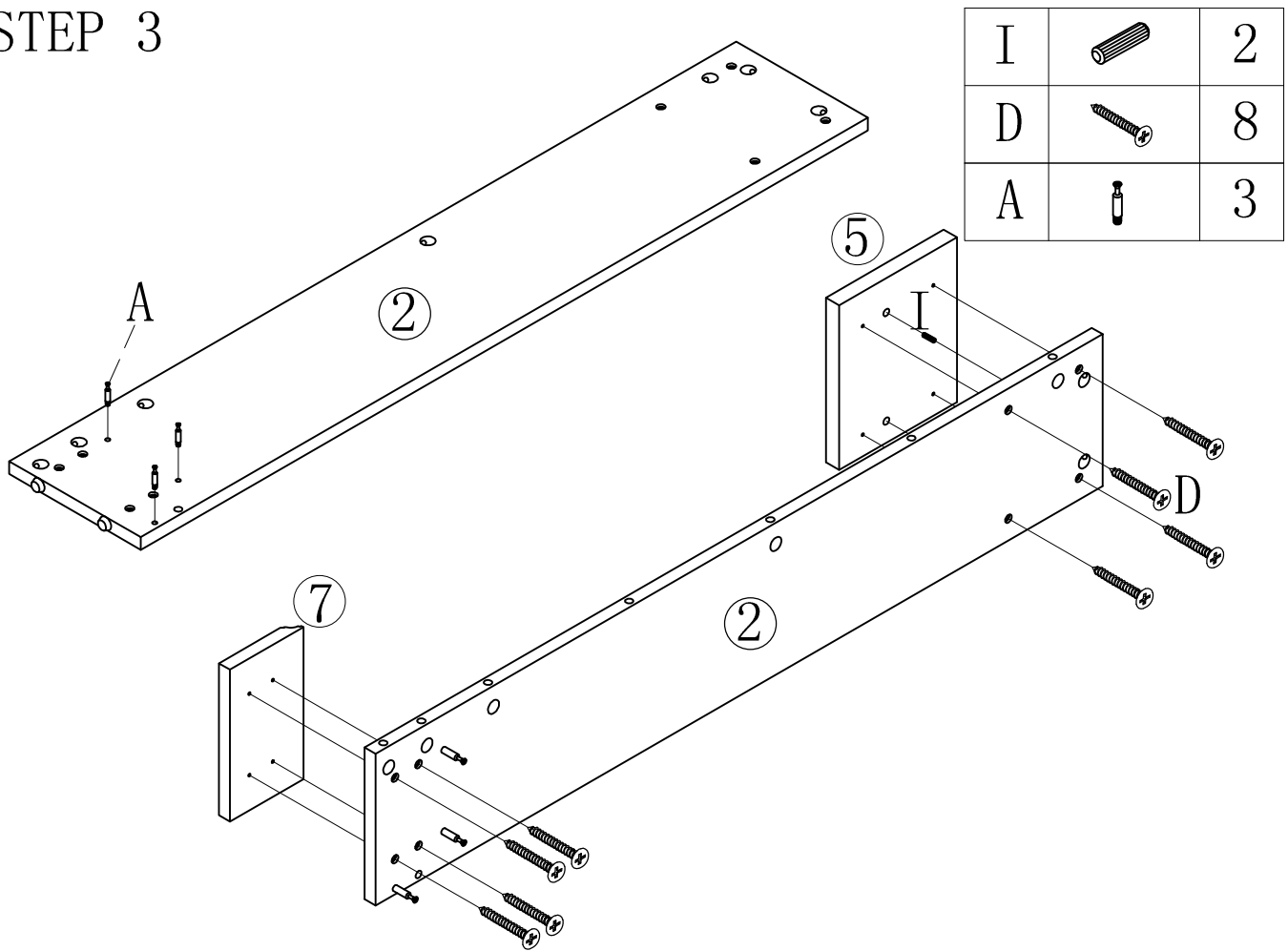
A		14
H		2
G		2

STEP 2

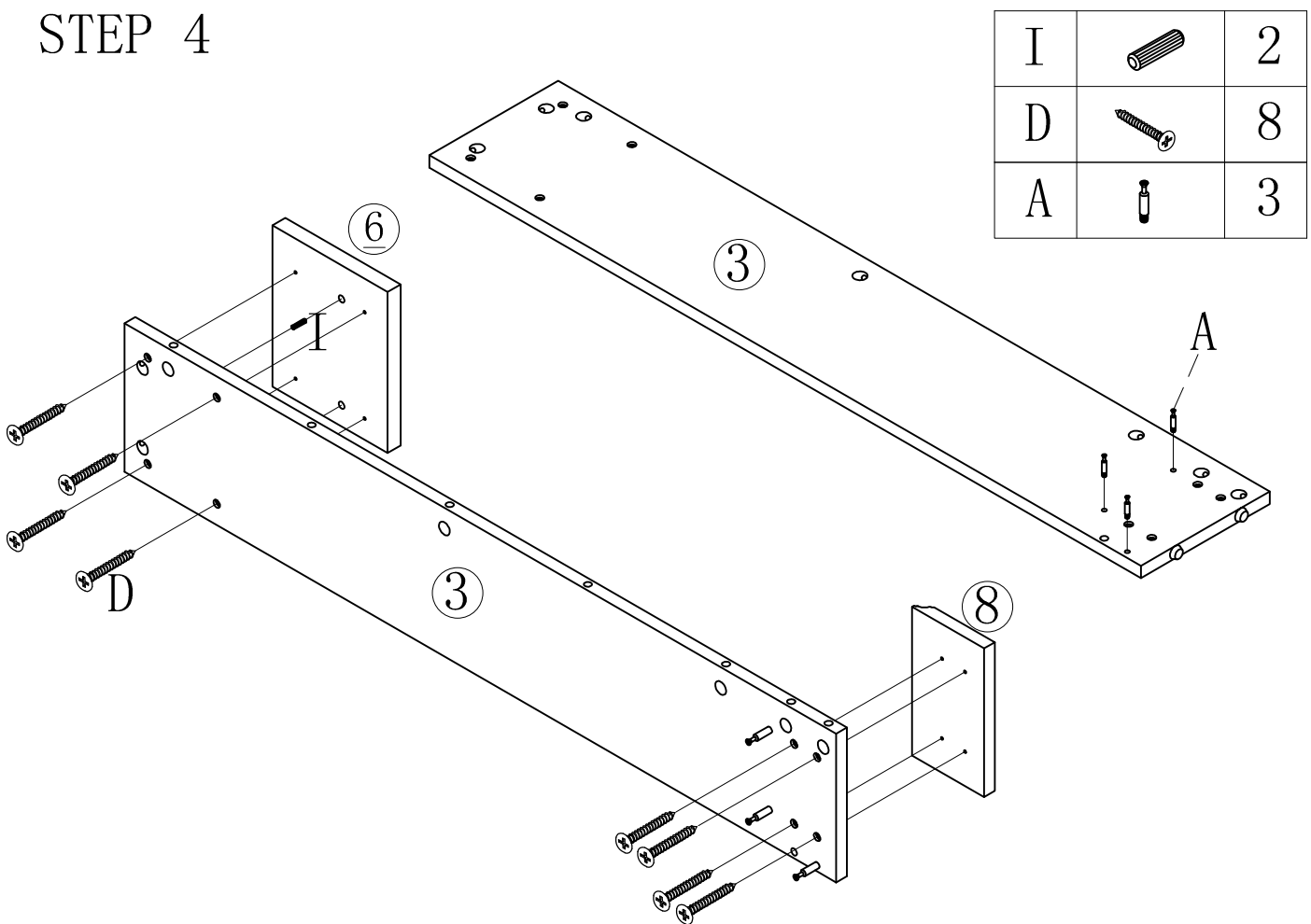


A		13
---	---	----



STEP 3

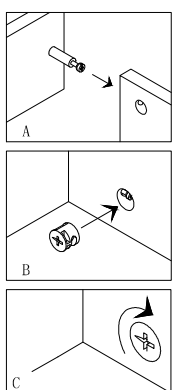
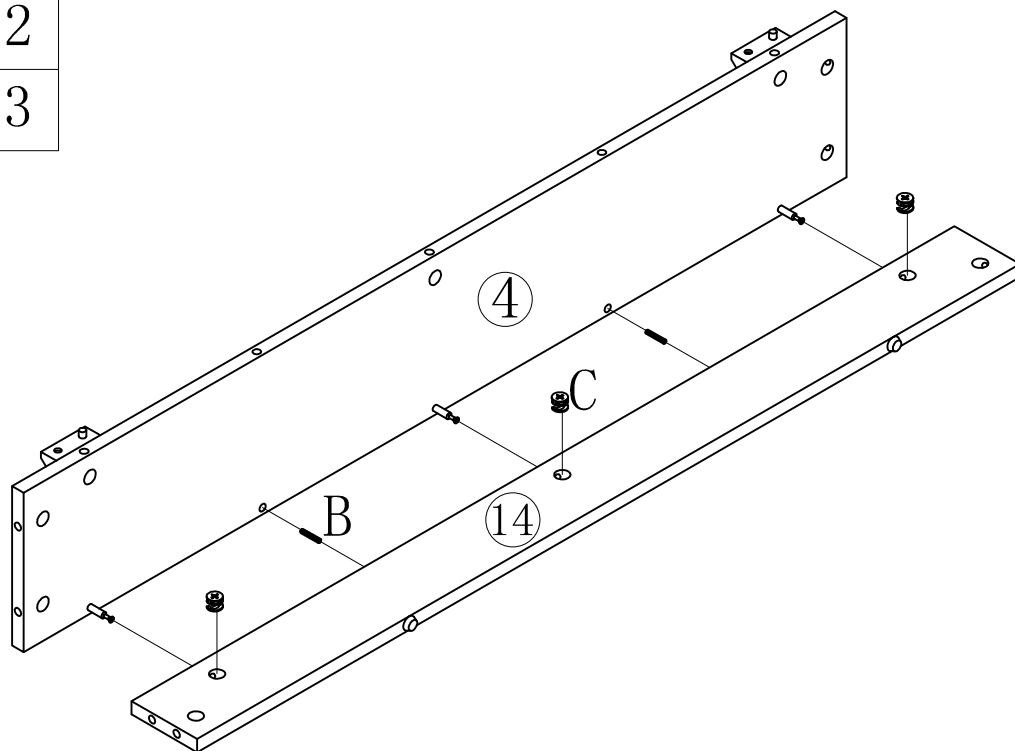


STEP 4





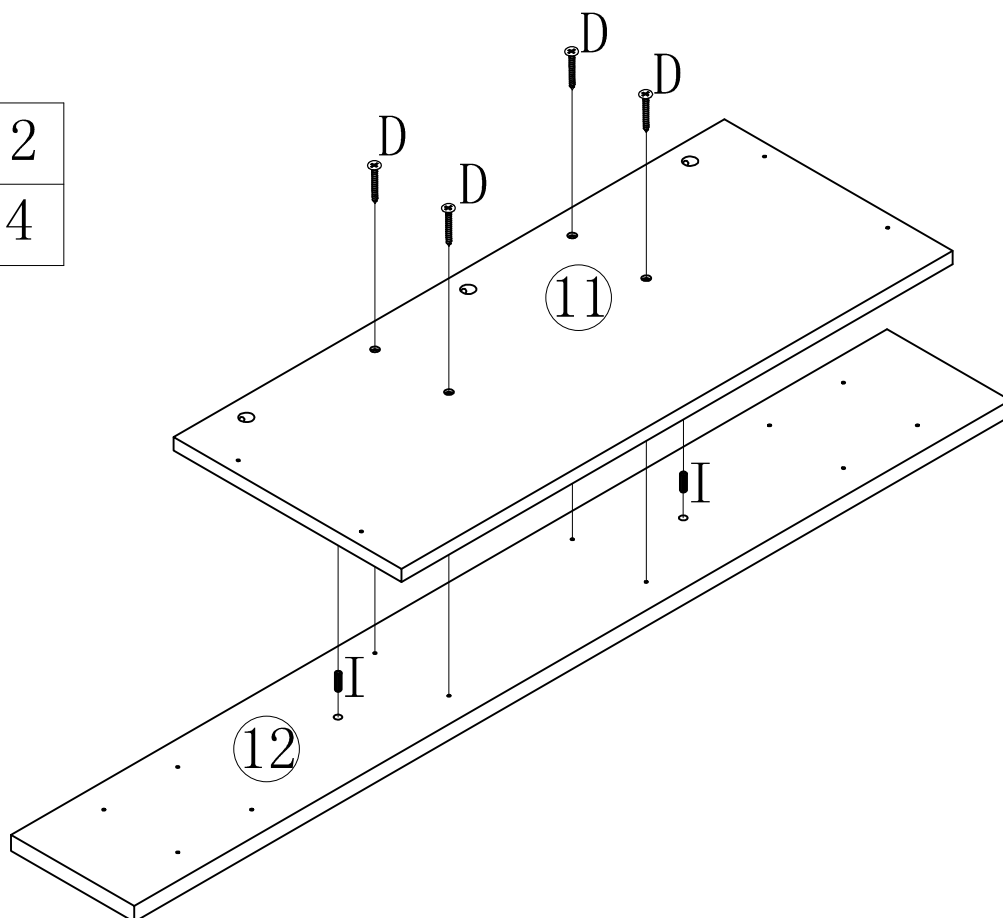
STEP 5

B		2
C		3





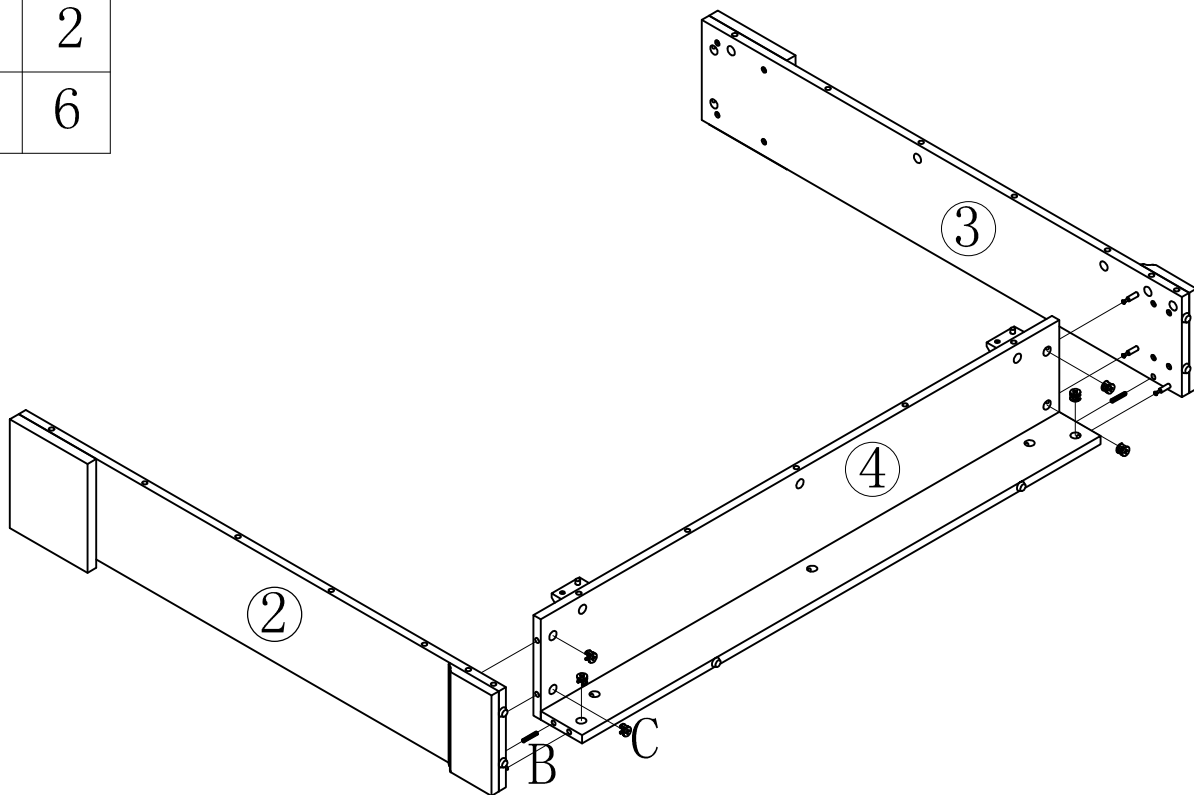
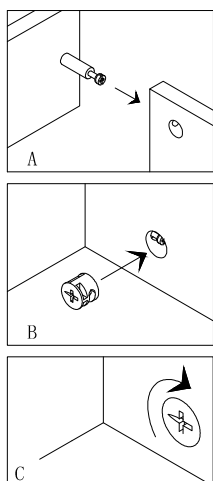
STEP 6

I		2
D		4






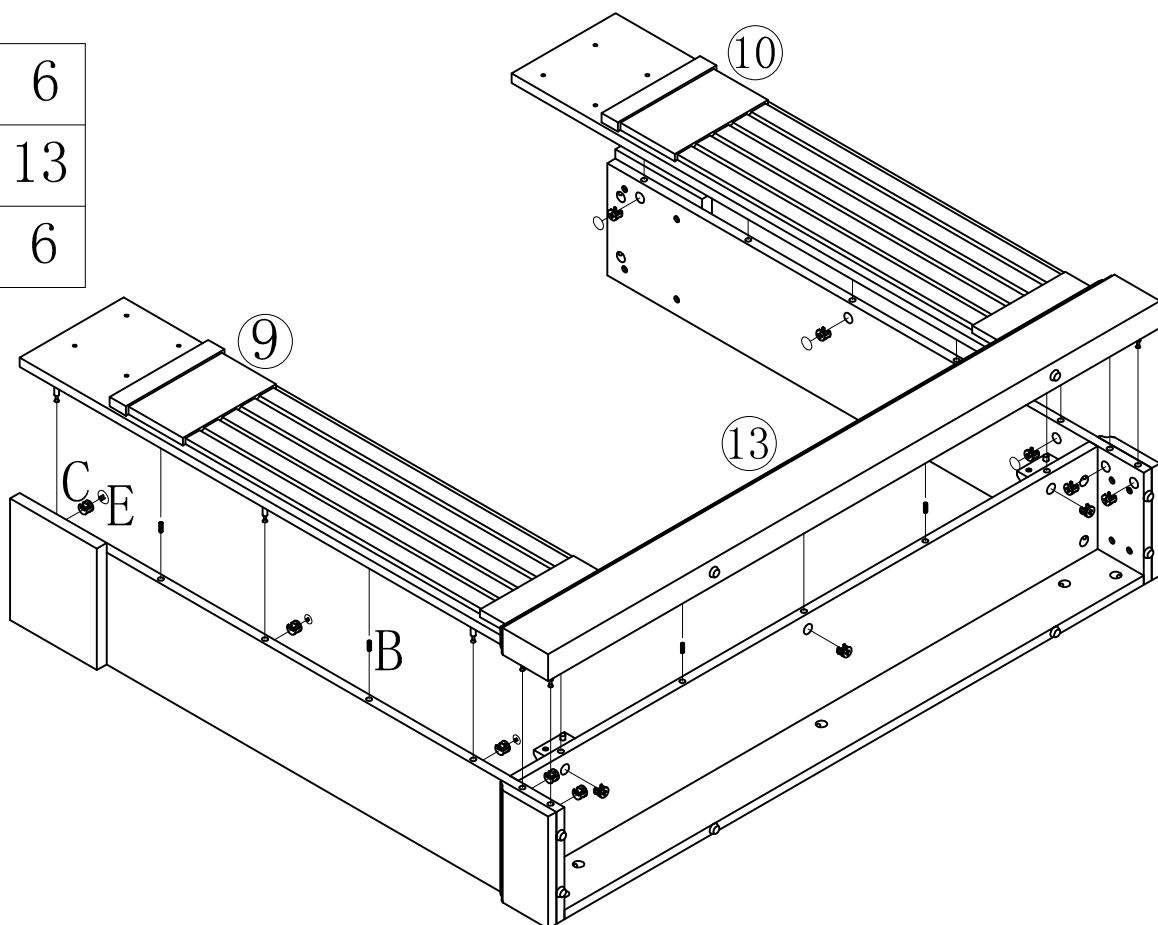
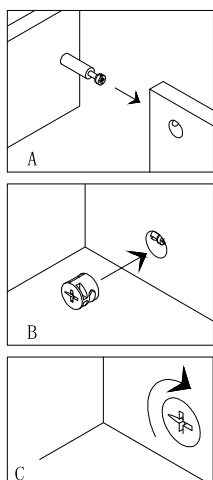
STEP 7

B		2
C		6



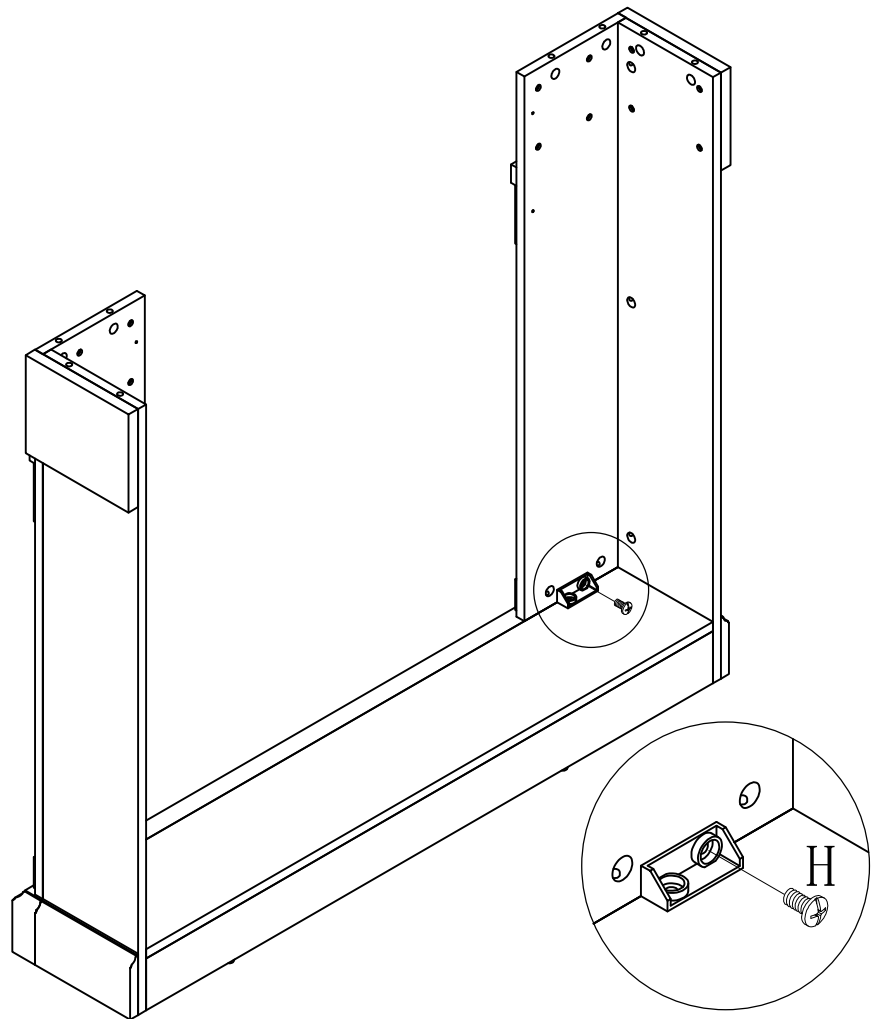
STEP 8

B		6
C		13
E		6




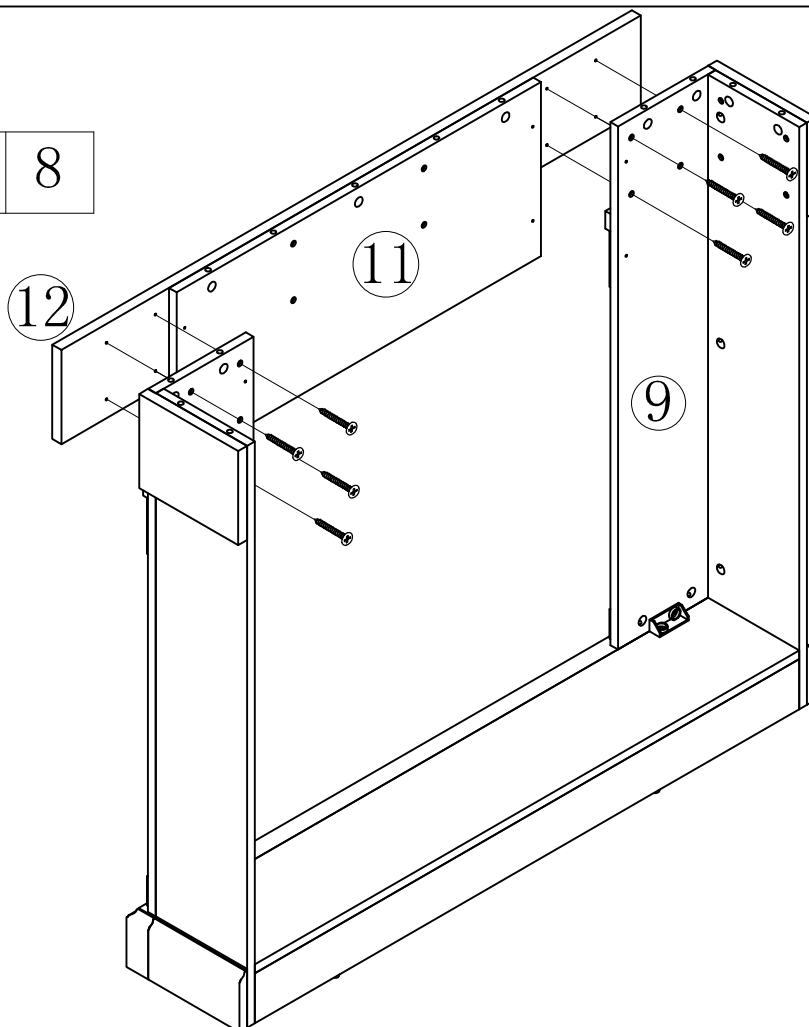
STEP 9

H		2
---	---	---




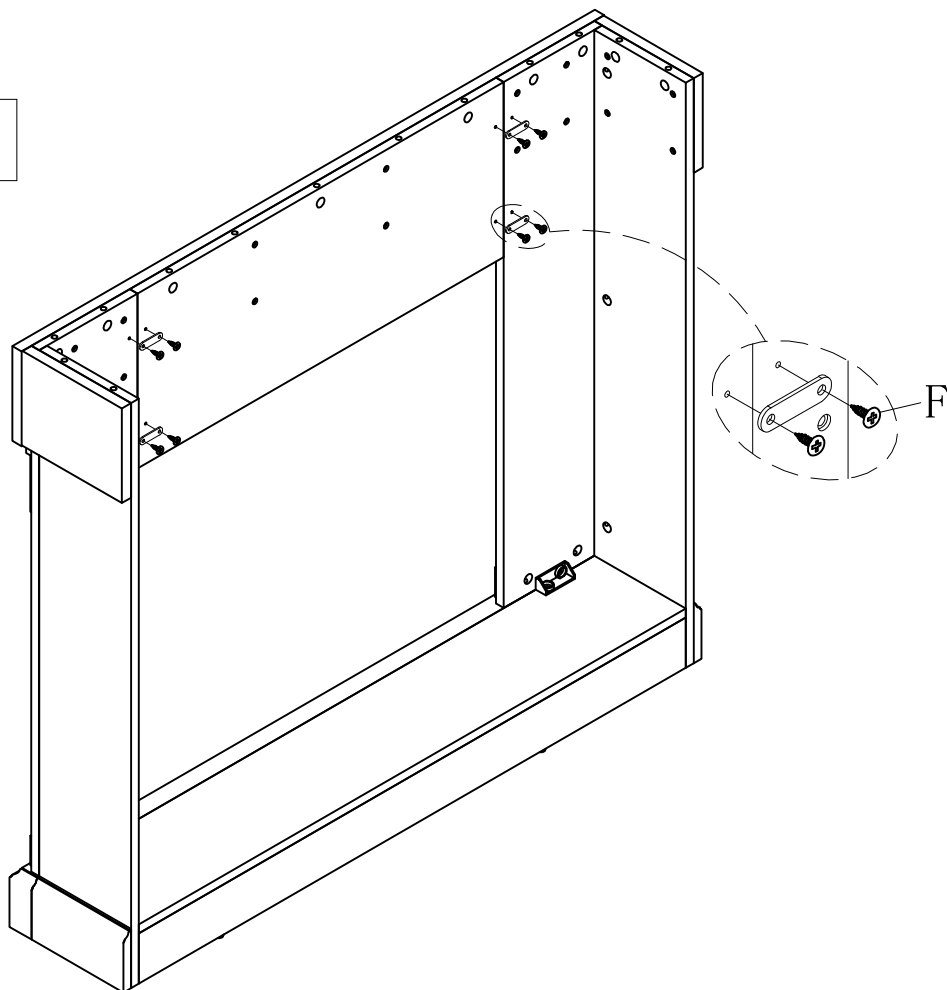
STEP 10

D		8
---	---	---






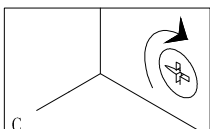
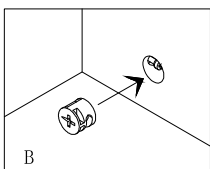
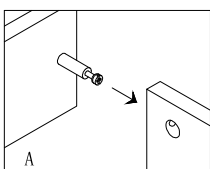
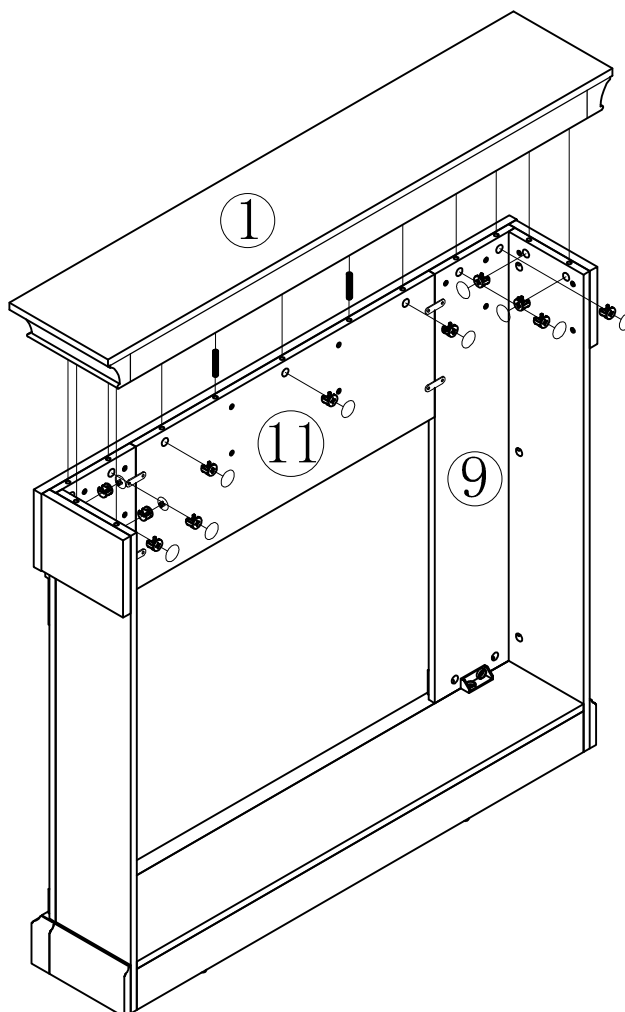
STEP 11

F		4
---	---	---



STEP 12

B		2
C		11
E		11



STEP 13

K		2
---	---	---

