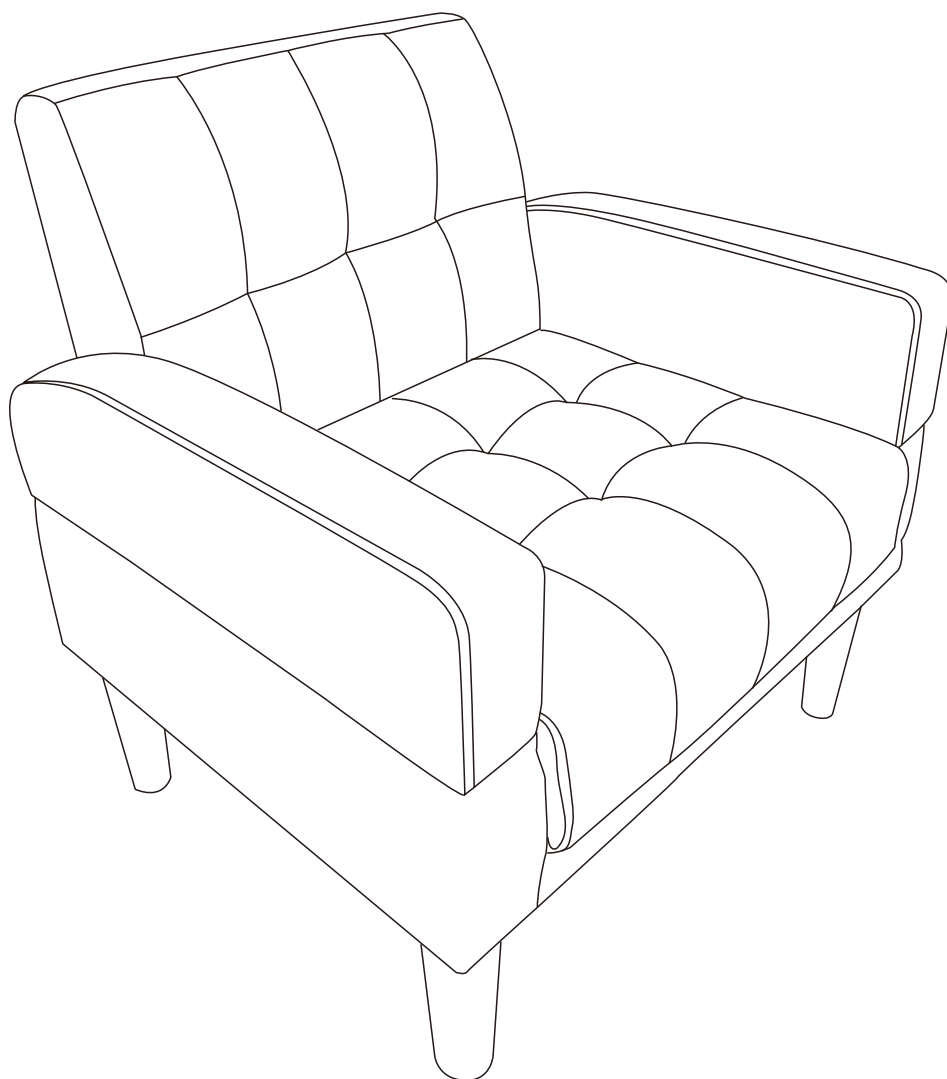
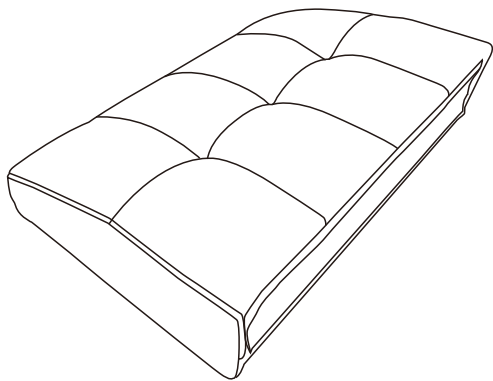


# INSTRUCTION MANUAL

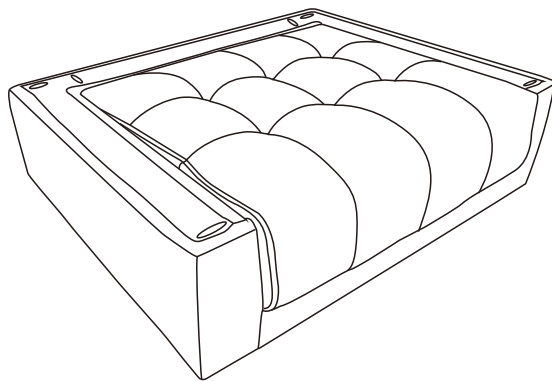


1



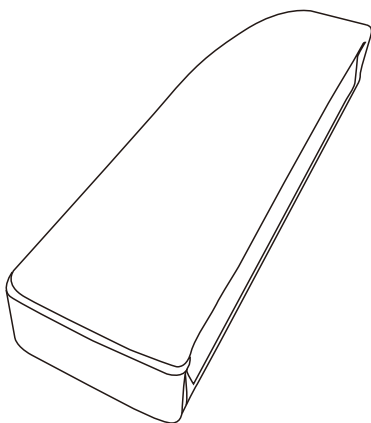
×1

2



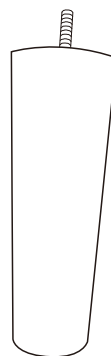
×1

3



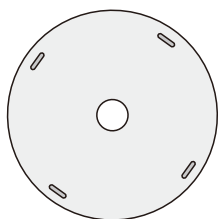
×2

4



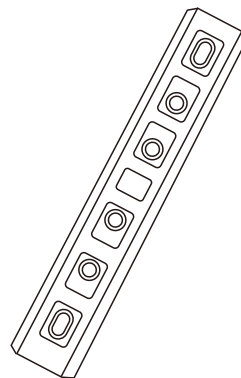
×4

A

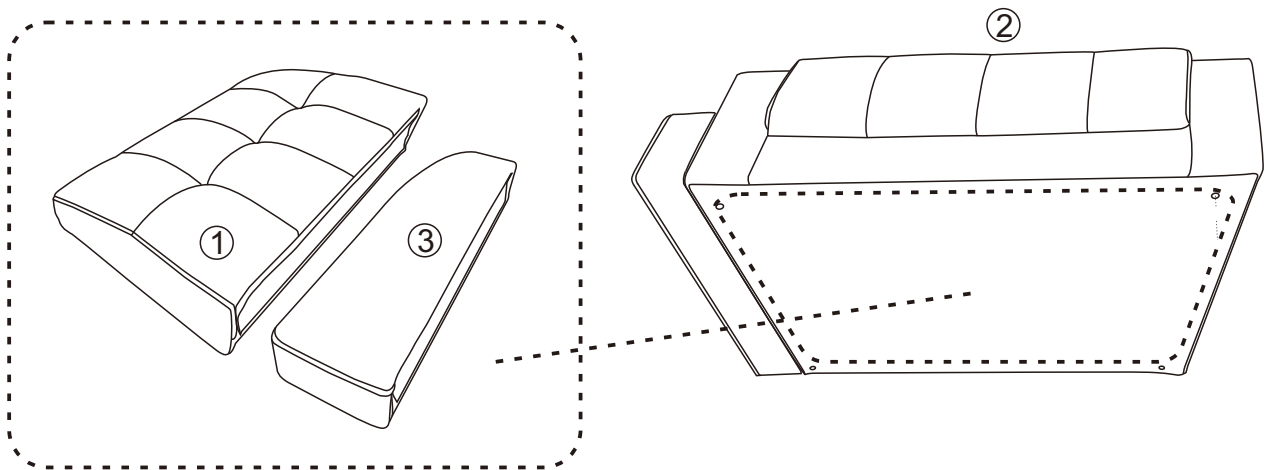


×4

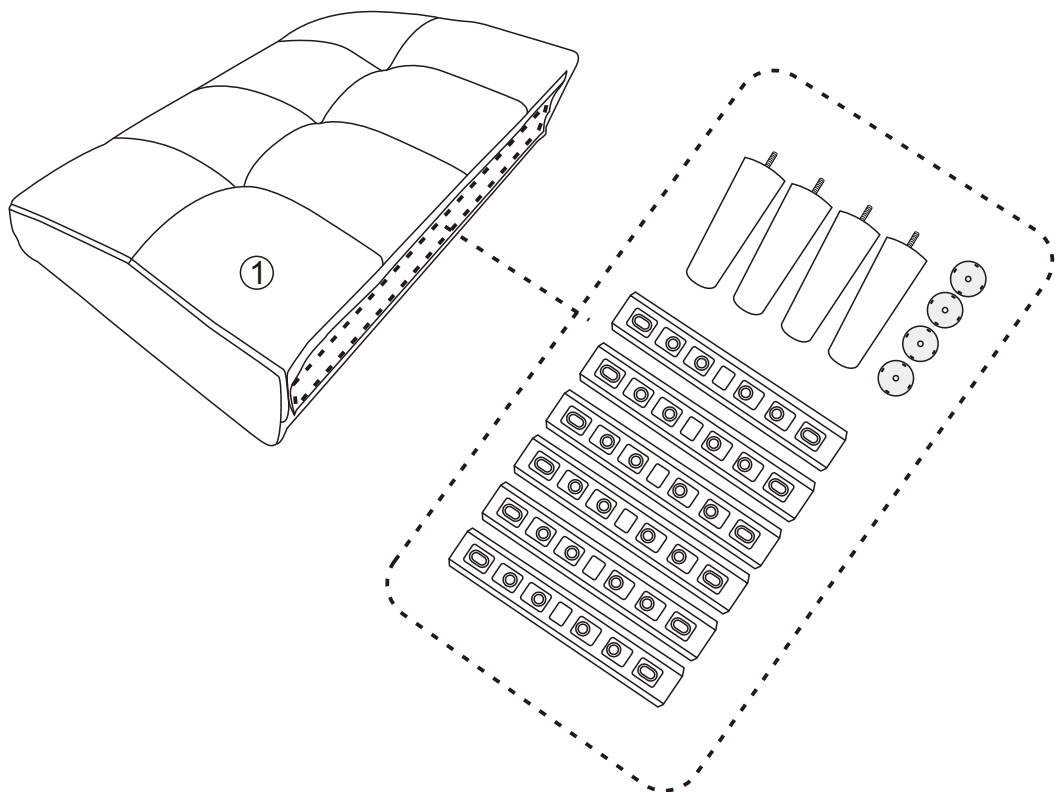
B



×6

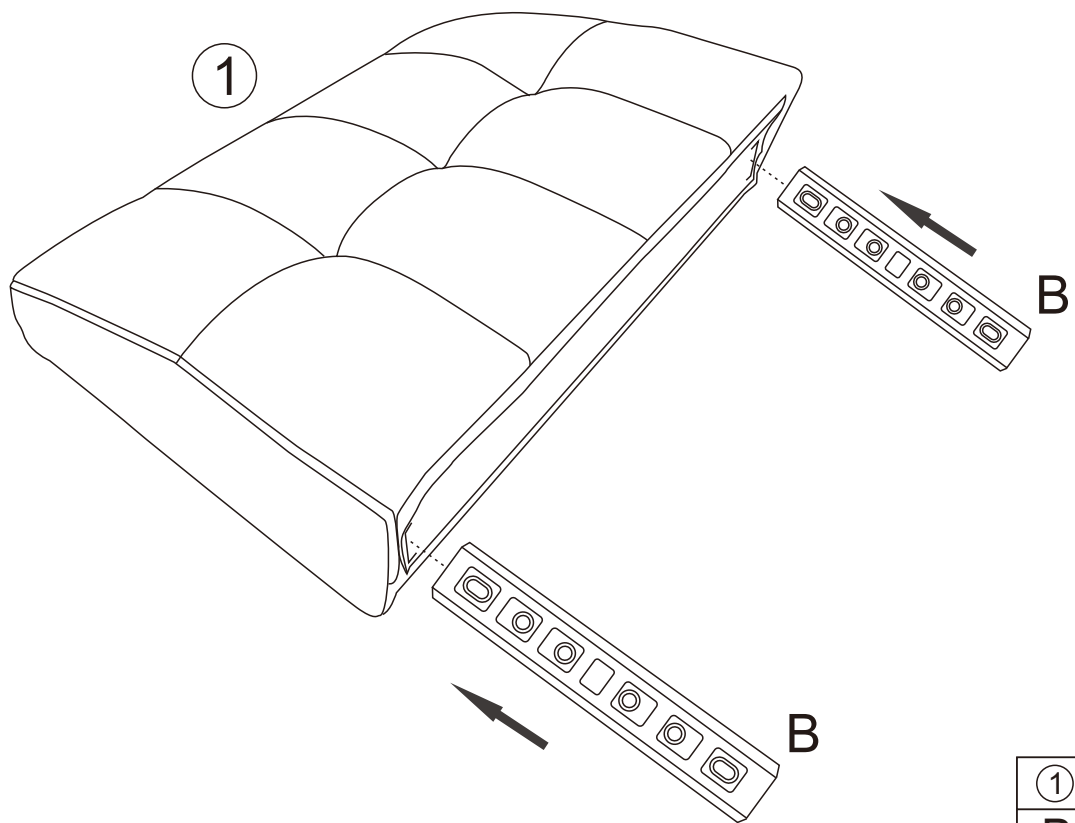


The backrests (Part ①) and armrests (Part ③) are placed at the bottom of the seat (Part ②) frame.



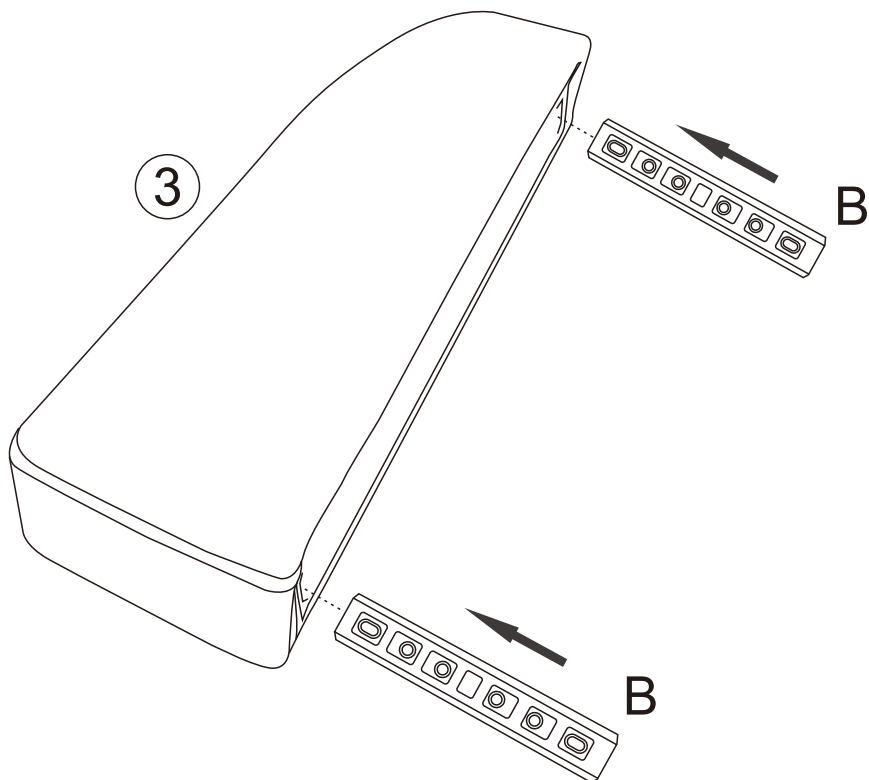
All hardware (Part A+B) and legs (Part ④) are placed in the back rest (①).

1



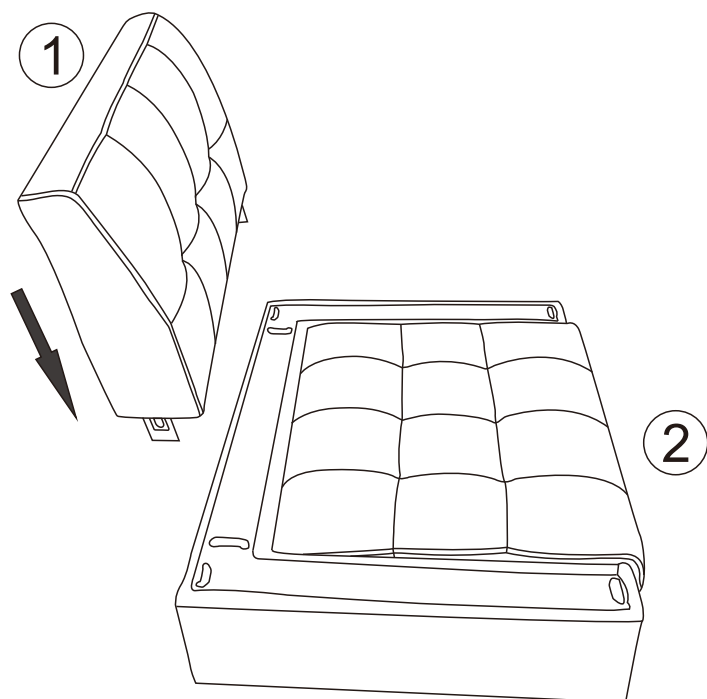
①	×1
B	×2

2



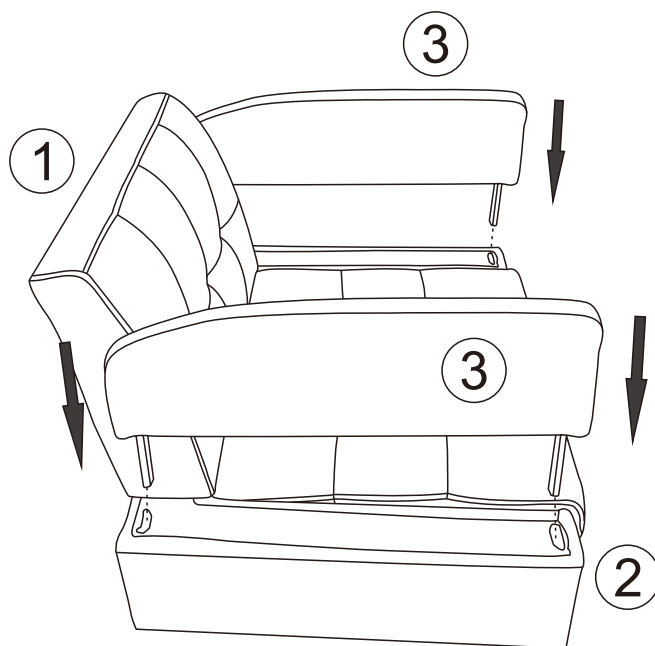
③	×2
B	×4

3



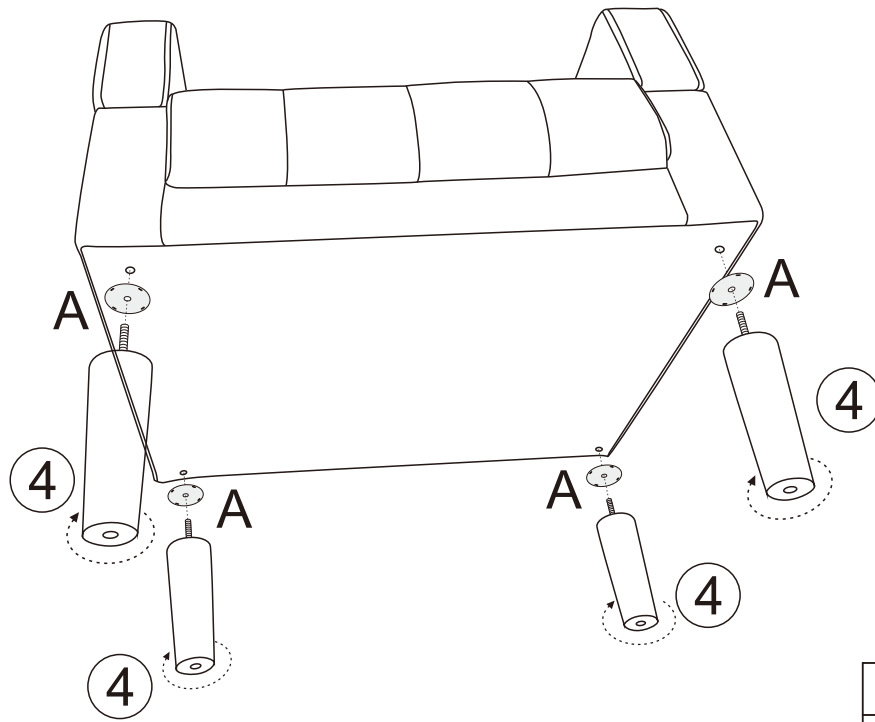
③	×1
②	×1

4



①	×1
②	×1
③	×2

5



④	×4
A	×4

6

