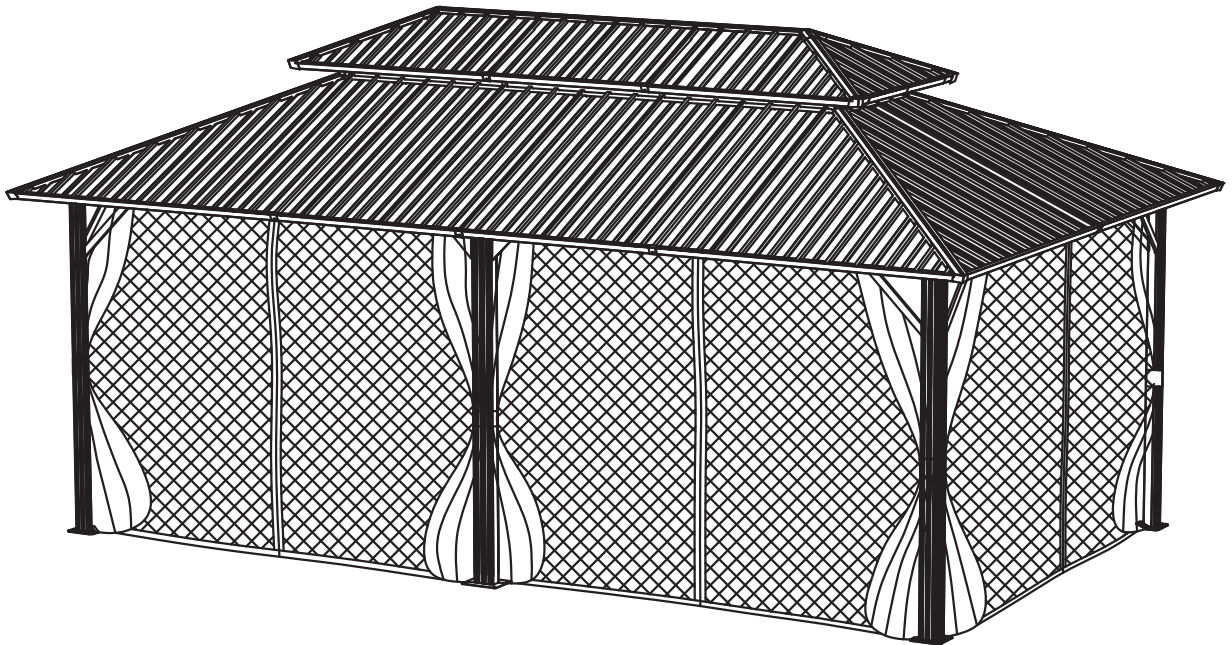


OWNER'S MANUAL

Hardtop Gazebo



Contact Us

If you have any questions,
Please contact customer service.

Email: support@seehill.com

Tel: (720)850-6385

SAFETY PRECAUTIONS

WARNING



Please read and understand this entire manual before attempting to assemble or install the product.



Some parts may have sharp edges. Please wear protective gloves when assemble or install the product.



Assemble the item on a soft, non-abrasive surface to avoid damage, such as carpeting.



Keep all the children and pets away from assembly area. Children and pets should be supervised when they are in the area of the dining set construction.

CAUTION

- ★ Please do not exceed the weight limitations of this item.
 - ★ Firmly secure all bolts, screws and knobs before use. Reconfirm that all bolts, screws, and knobs are secure every 90 days.
 - ★ Do not use or store this item in the proximity of open flame or flammable/combustible chemicals.
 - ★ If any parts are missing, broken, damaged, or worn, stop using this product until repairs are made and/or factory replacement parts are installed.
-

ATTENTION

- ★ Check every part with the part list before assembly. If any part is missing or damaged, do not attempt to assemble the product and contact us immediately.
 - ★ We care about every customer's experience. Please feel free to contact us if you have any advice. We will offer you efficient solutions ASAP.
 - ★ We recommend you to use waterproof furniture cover for the entire patio dining set when out of use to keep them longer performance.
 - ★ You could adjust the foot leveler to keep table or chair in balance.
-

WARRANTY COVERAGE REQUIREMENTS

- ★ Pictures of the damaged parts. The order number of your product.
 - ★ Please gather all of this information BEFORE you contact us.
 - ★ Do not use this item in a way inconsistent with the manufacturer's instructions as this could void the product warranty.
-

Email :
support@seehill.com

PRODUCT WARRANTY INSTRUCTION



Free Warranty Period:

The free warranty period starts from the product receipt date and lasts one year.



Coverage during the Free Warranty Period:

1. If any components of the purchased product are damaged due to non-human-induced reasons natural wear and tear excluded , corresponding new parts will be replaced free of charge.

2. If the entire purchased product is damaged due to non-human-induced reasons natural wear and tear excluded and cannot be further used, corresponding parts or a brand-new product will be replaced free of charge.



Coverage after the Free Warranty Period:

After the warranty period expires, replacement components will be provided to customers at cost price for continued service.



Additional Services:

After purchasing the product, customers can consult our staff for any product-related inquiries.





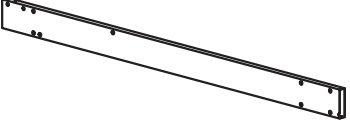
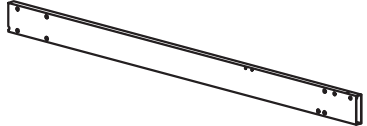
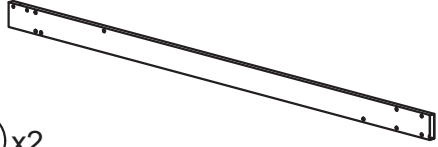

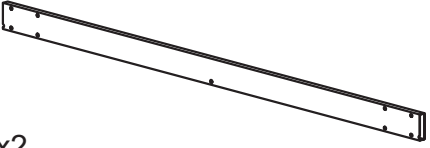



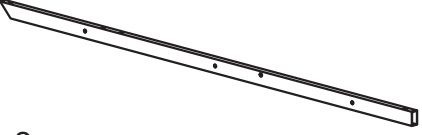
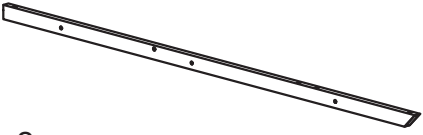
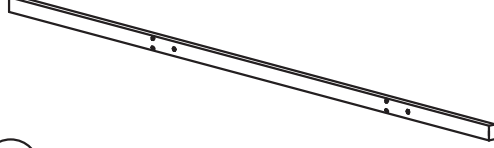

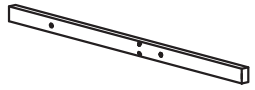
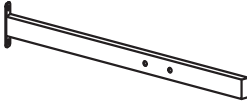
Contact Email :

support@seehill.com

ACCESSORIES DISPLAY

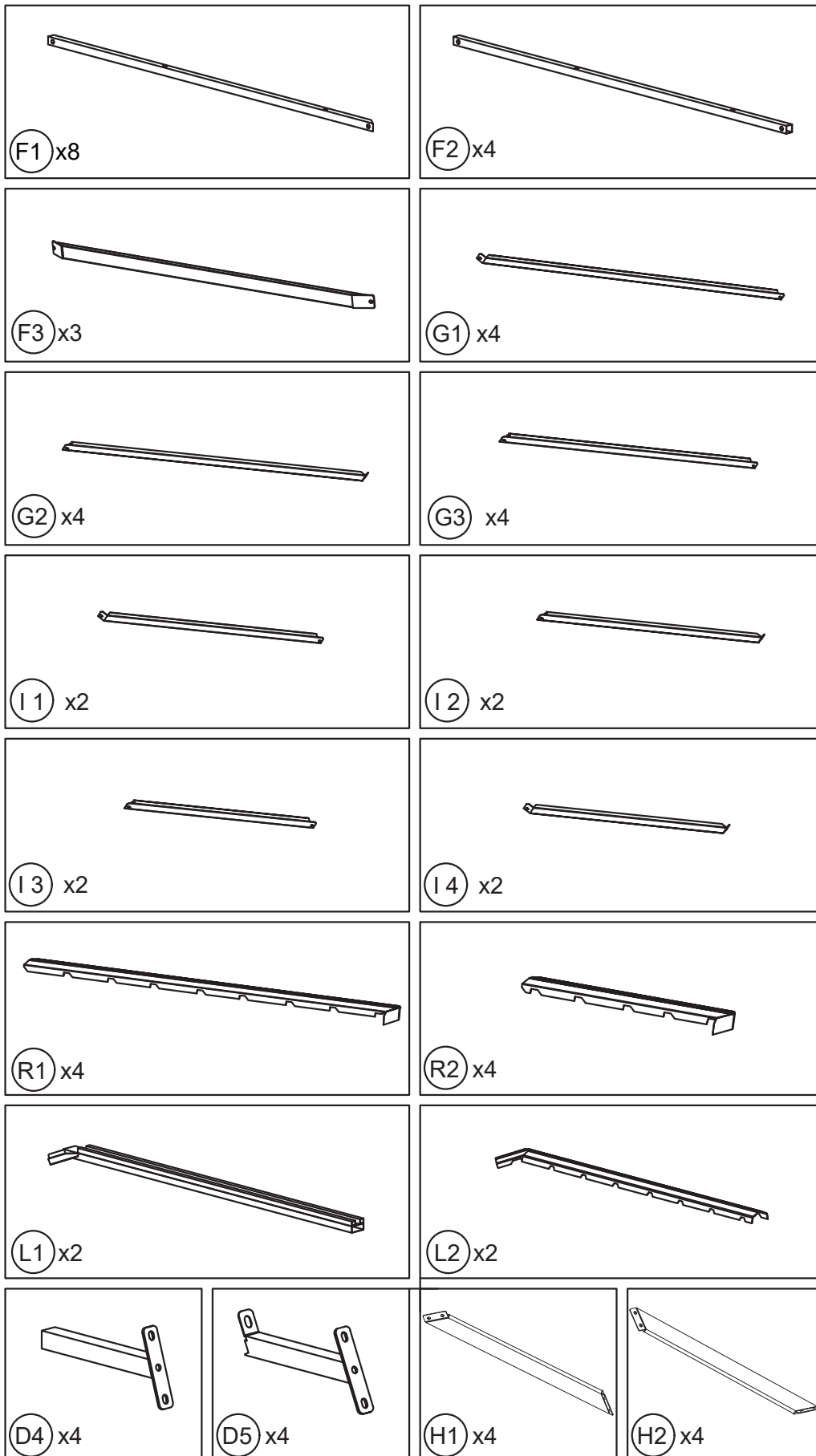
Part List

KWAP301C

 (A1) x4	 (A2) x2
 (B1) x2	 (B2) x2
 (B3) x2	 (B4) x2
 (B5) x2	 (C1) x4
 (C2) x6	 (D1) x2
 (D2) x2	 (D3) x2
 (E1) x4	 (E2) x8
 (E3) x4	 (E4) x4

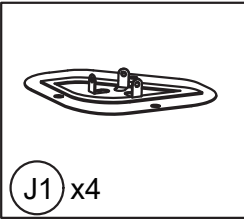
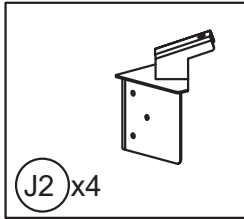
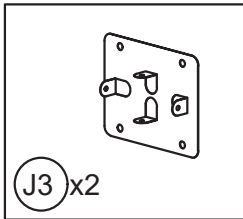
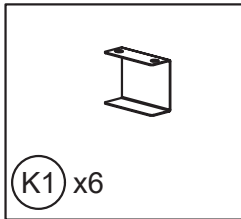
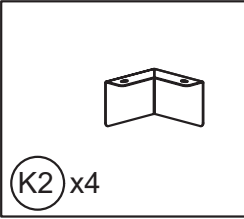
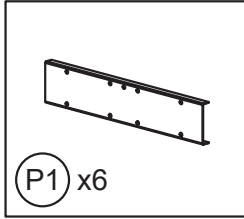
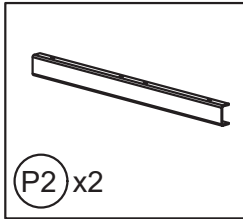
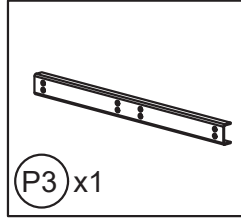
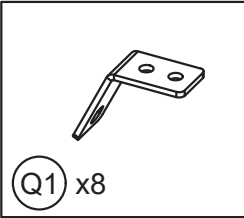
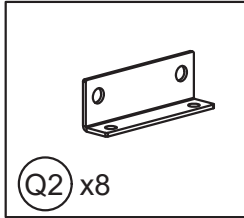
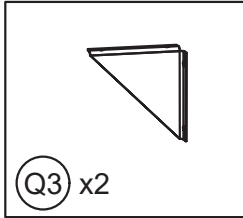
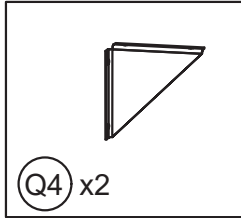
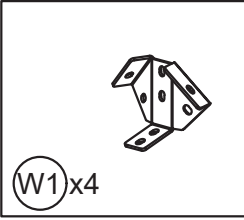
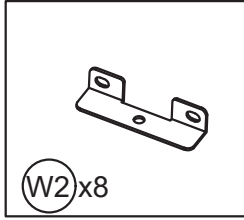
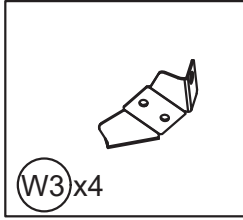
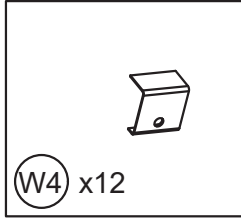
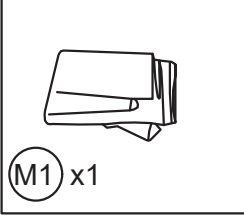
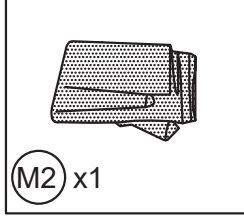
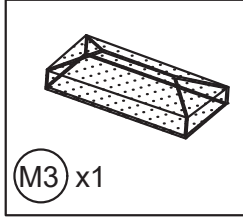
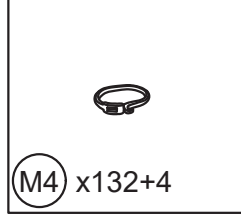
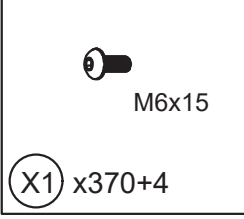
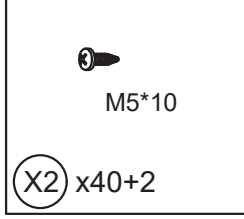
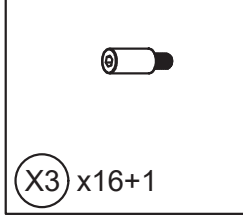
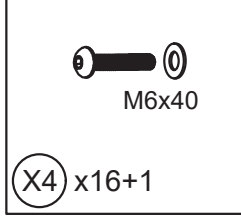
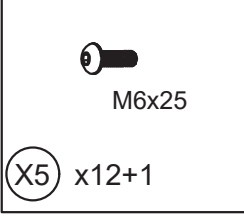
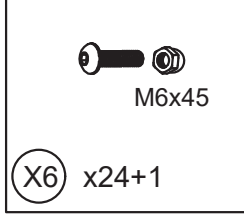
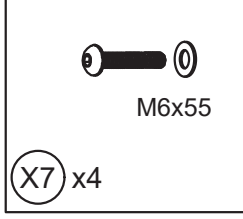
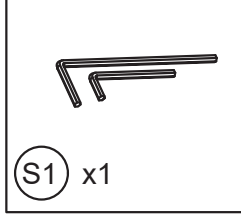
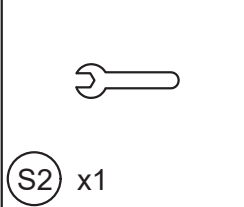
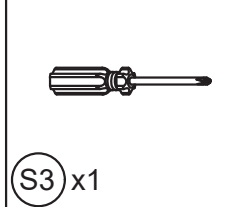
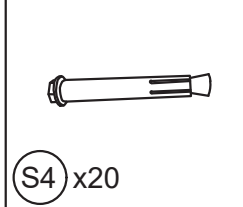
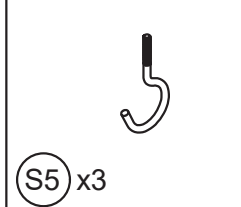
PRODUCT ASSEMBLY

STEP 1



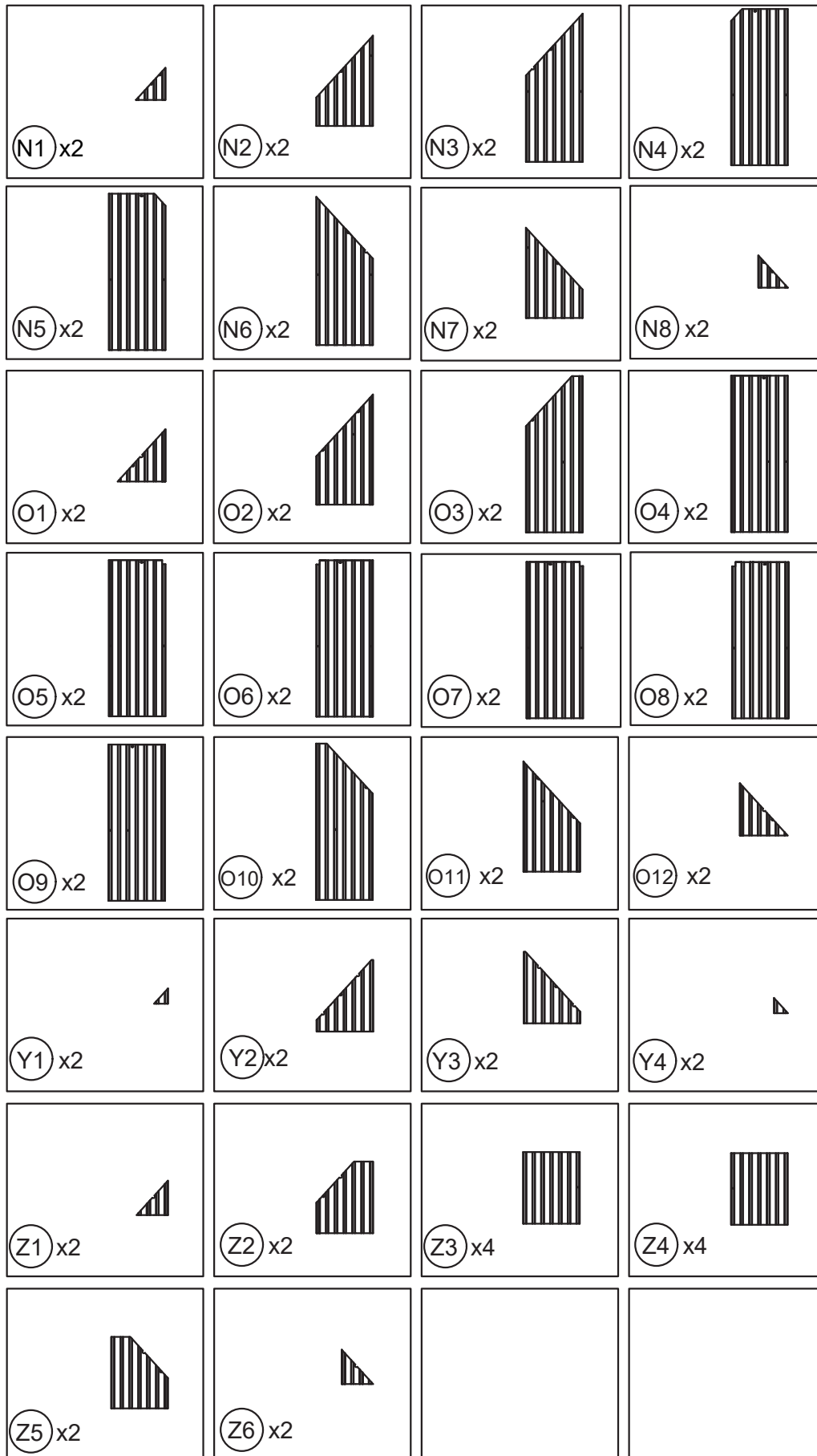
PRODUCT ASSEMBLY

STEP 2

 J1 x4	 J2 x4	 J3 x2	 K1 x6
 K2 x4	 P1 x6	 P2 x2	 P3 x1
 Q1 x8	 Q2 x8	 Q3 x2	 Q4 x2
 W1 x4	 W2 x8	 W3 x4	 W4 x12
 M1 x1	 M2 x1	 M3 x1	 M4 x132+4
 M6x15 X1 x370+4	 M5*10 X2 x40+2	 X3 x16+1	 M6x40 X4 x16+1
 M6x25 X5 x12+1	 M6x45 X6 x24+1	 M6x55 X7 x4	 S1 x1
 S2 x1	 S3 x1	 S4 x20	 S5 x3

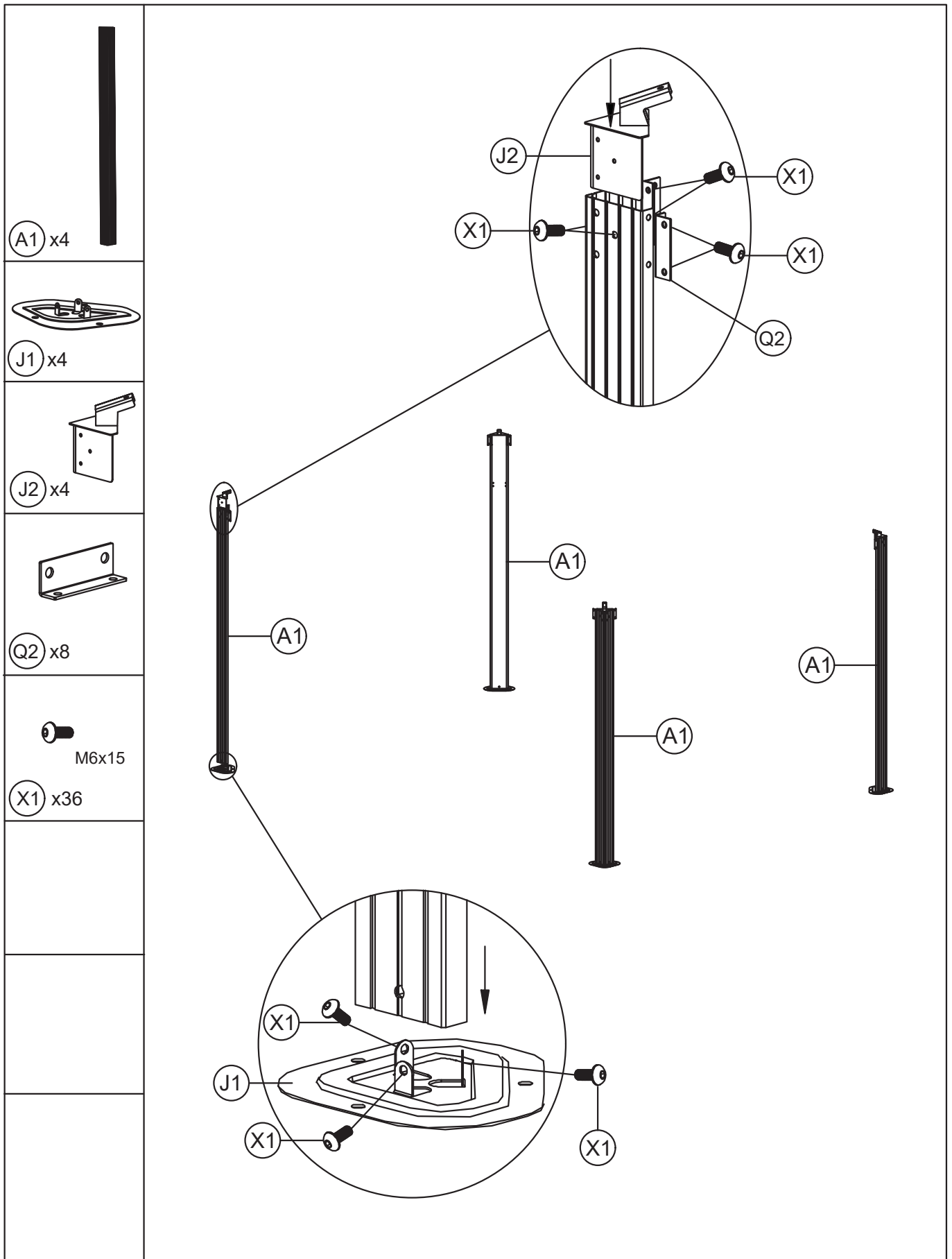
PRODUCT ASSEMBLY

STEP 3



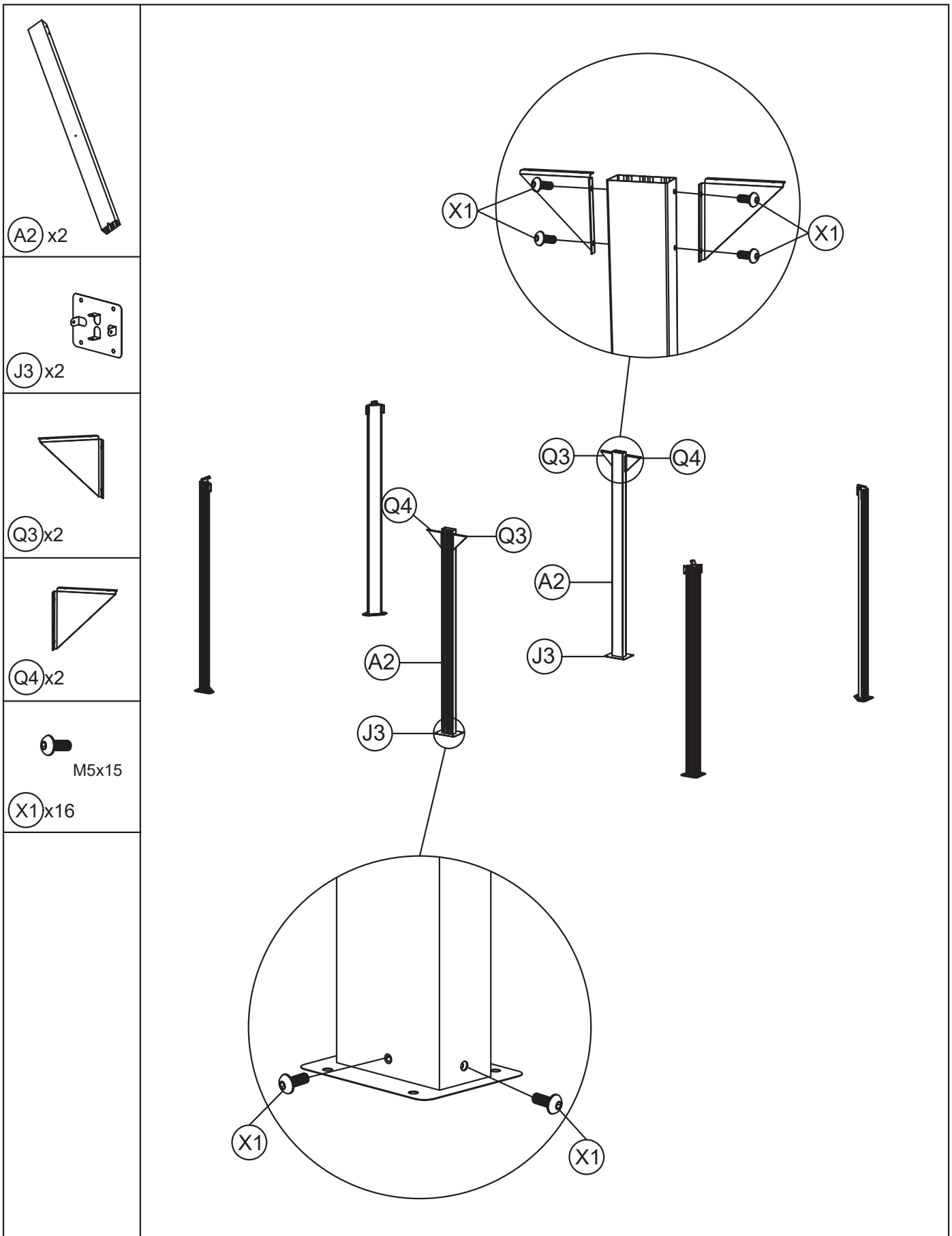
PRODUCT ASSEMBLY

STEP 4



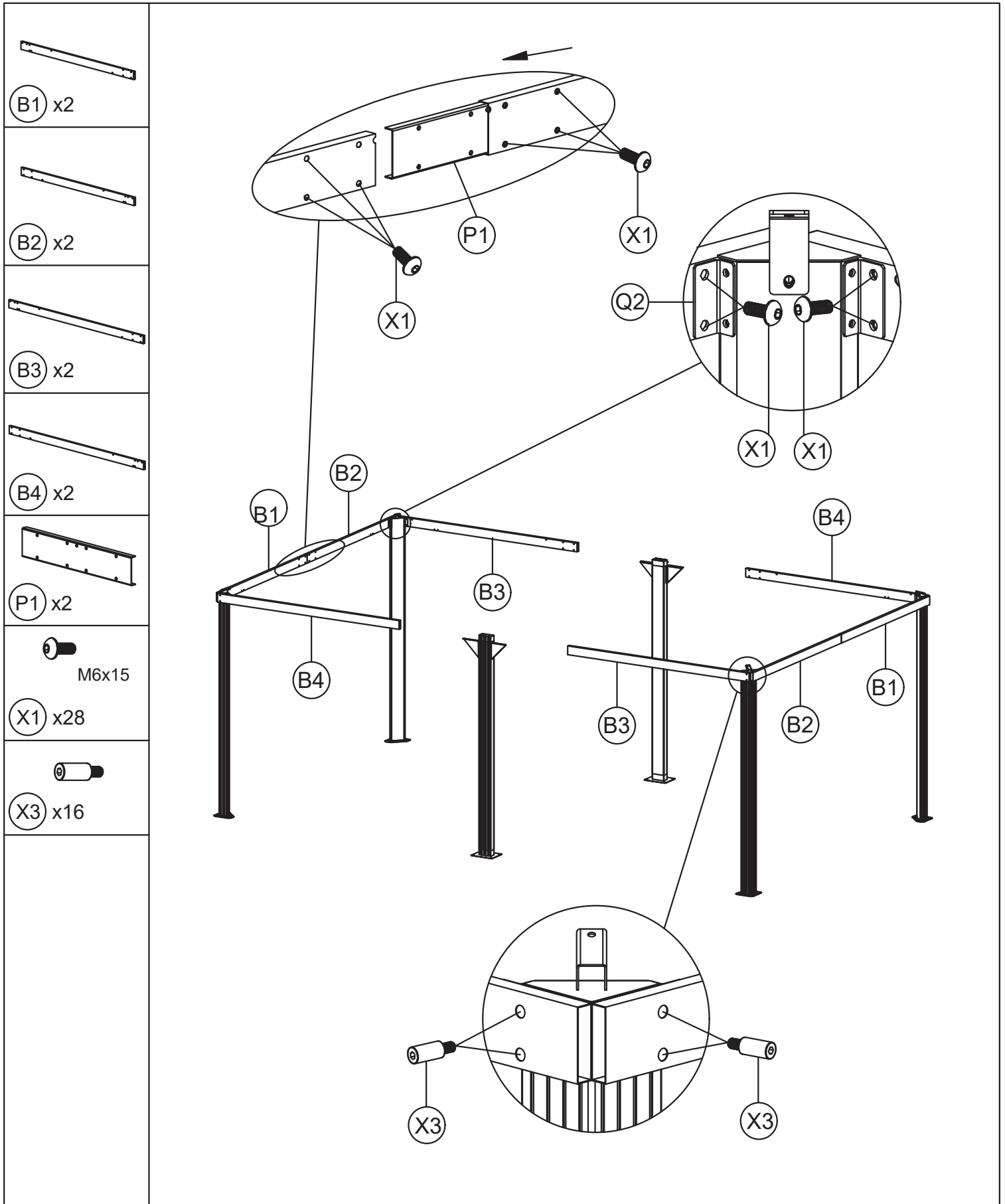
PRODUCT ASSEMBLY

STEP 5



PRODUCT ASSEMBLY

STEP 6

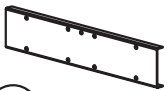


PRODUCT ASSEMBLY

STEP 7



(B5) x2

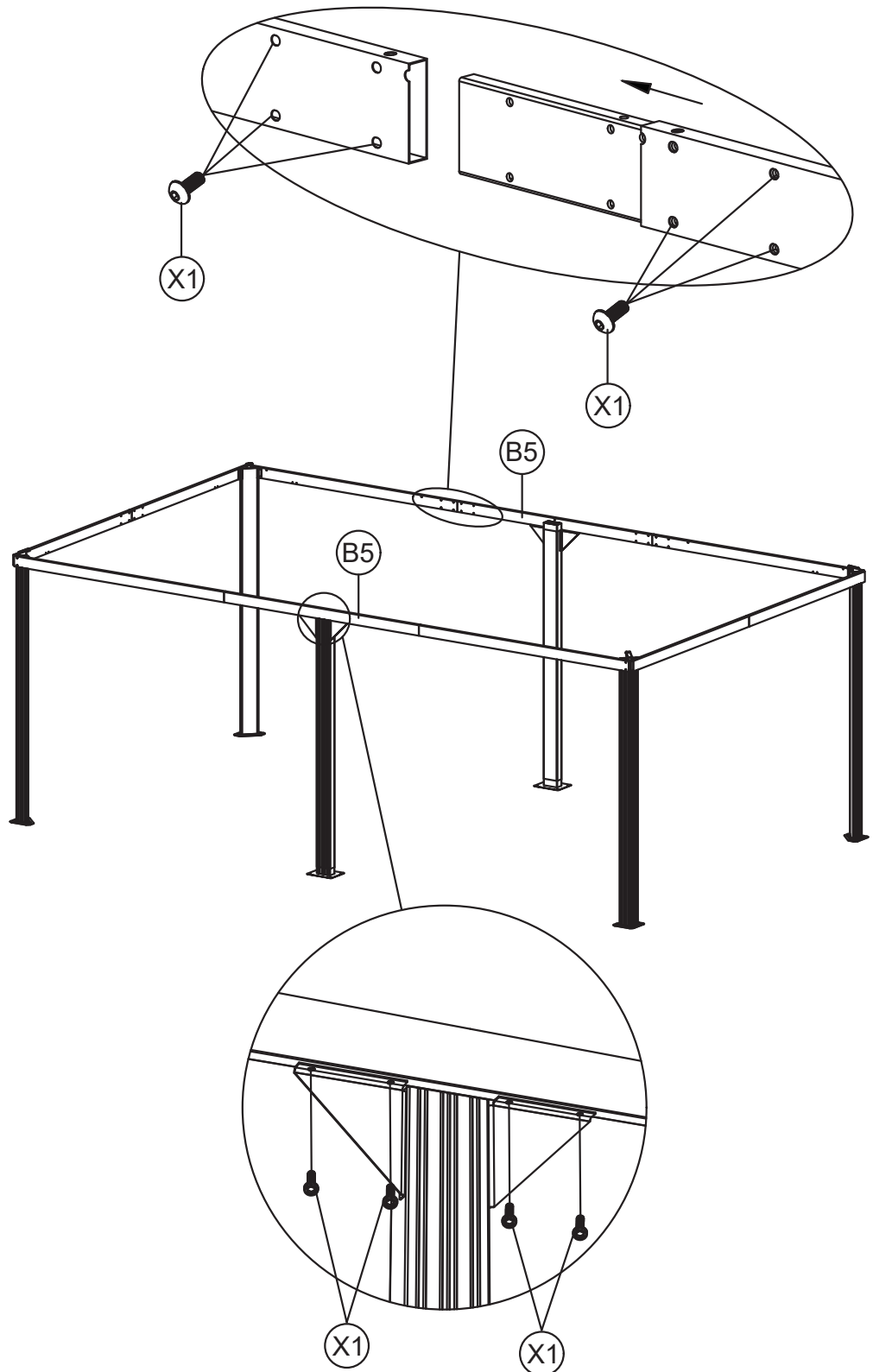


(P1) x4



M6x15

(X1) x32



PRODUCT ASSEMBLY

STEP 8



(H1) x4



(H2) x4

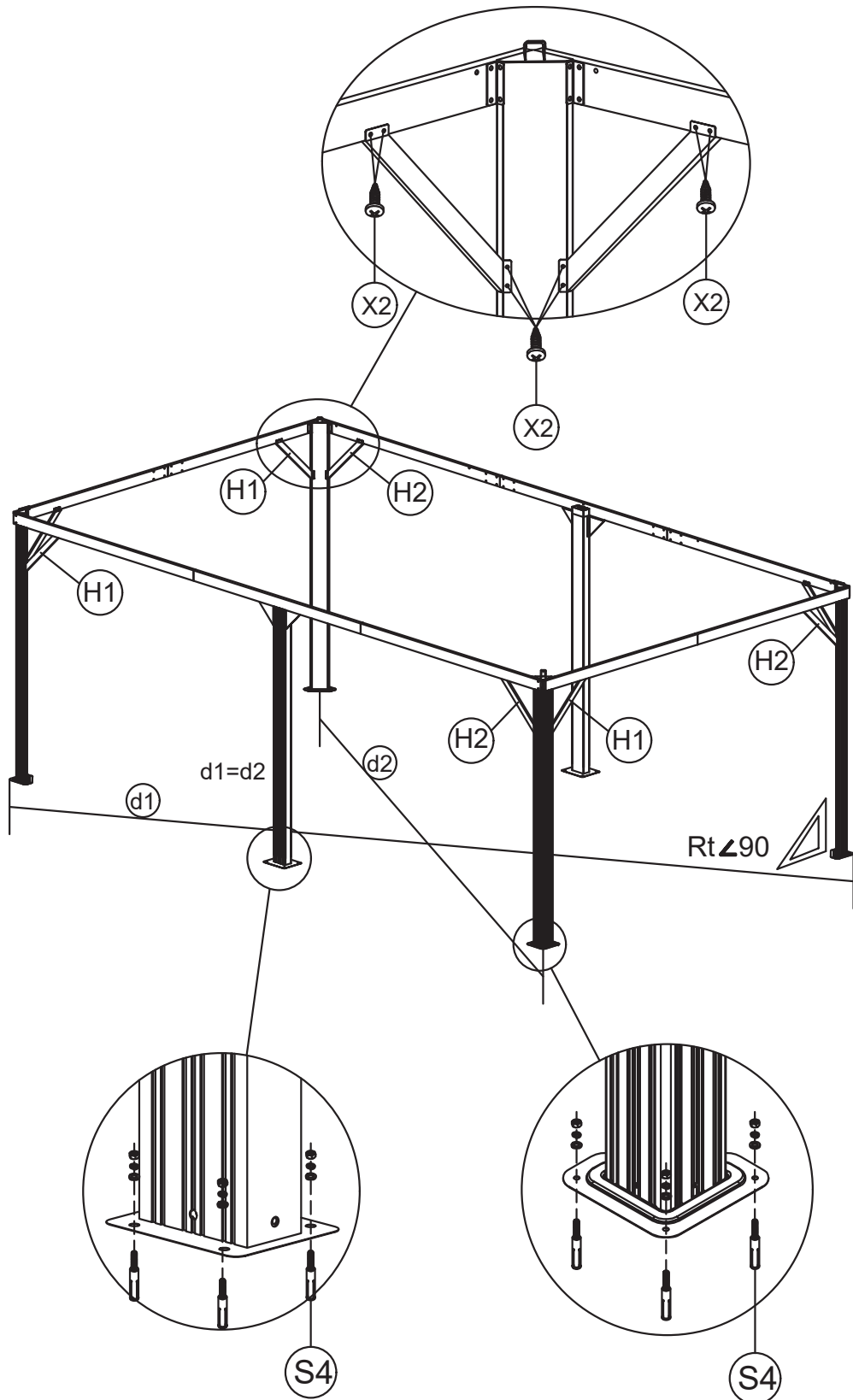


M5*10

(X2) x32

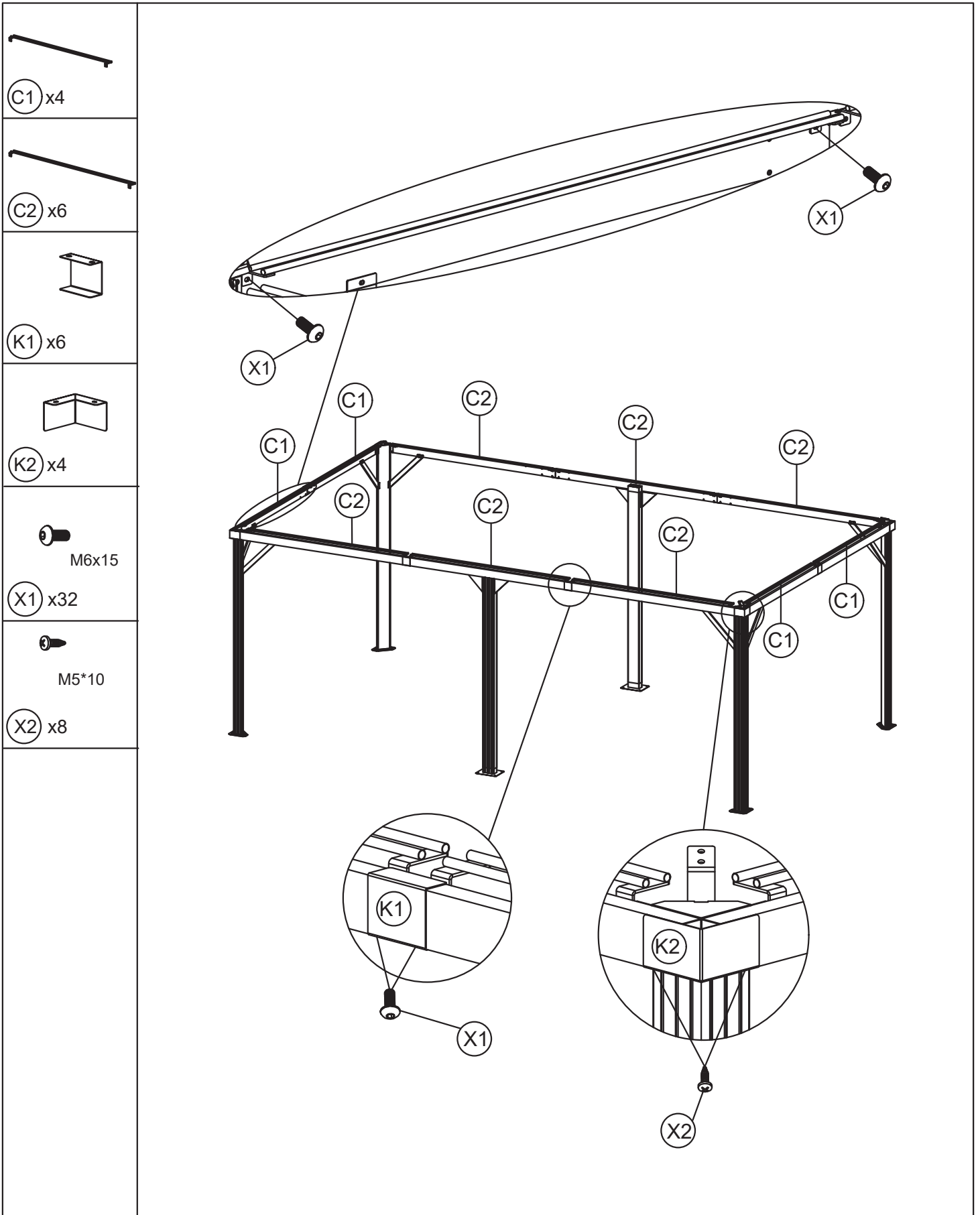


(S4) x20



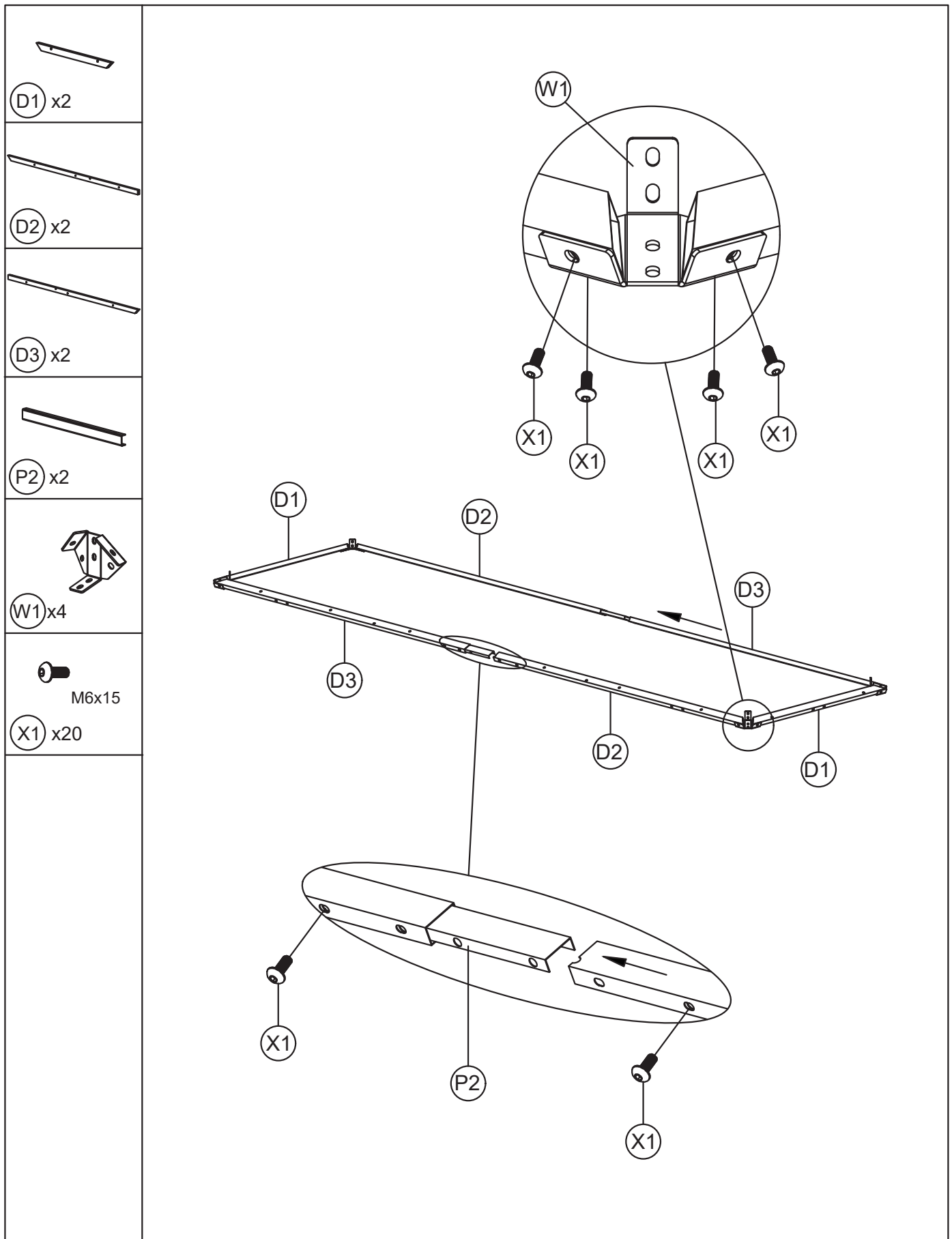
PRODUCT ASSEMBLY

STEP 9



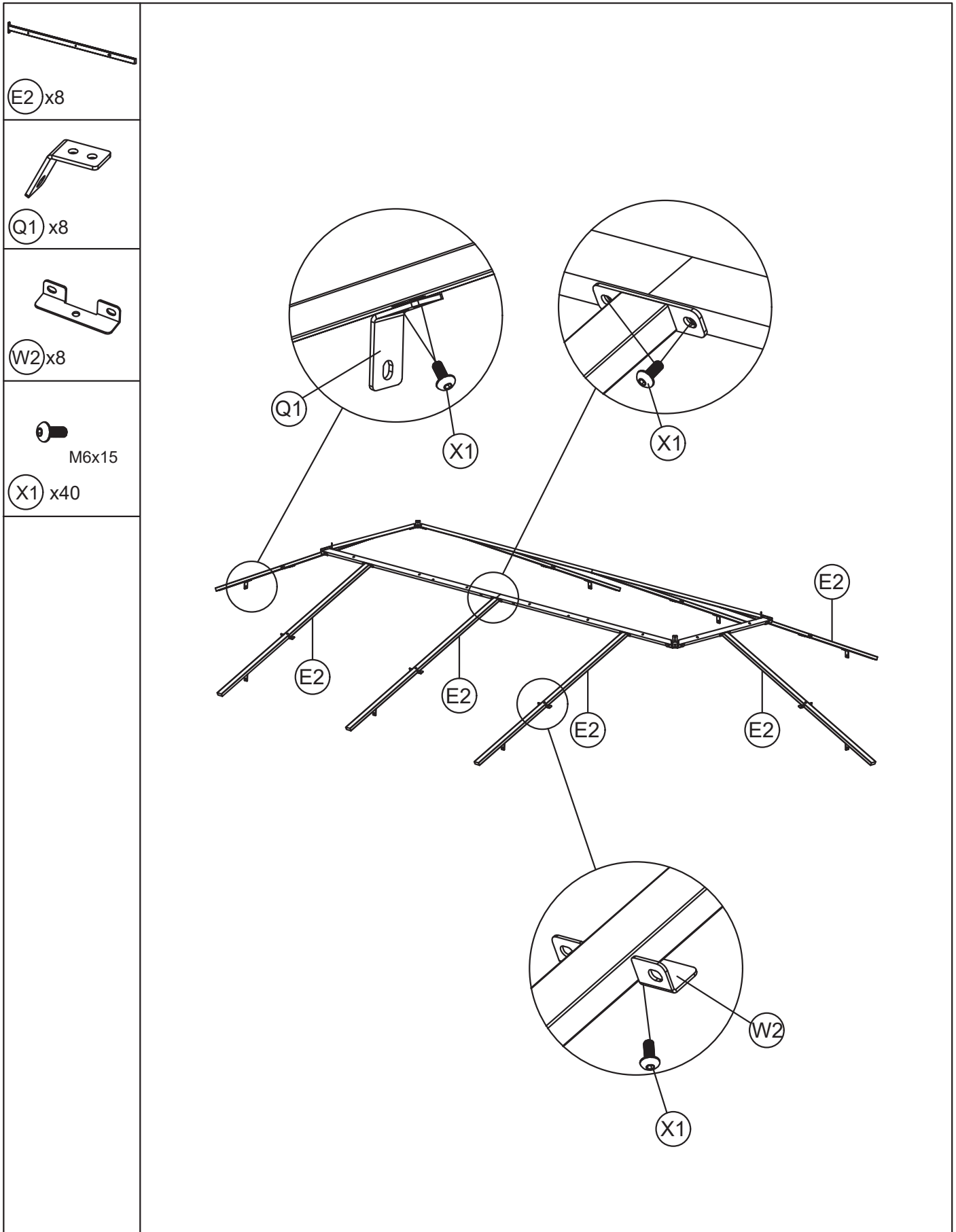
PRODUCT ASSEMBLY

STEP 10



PRODUCT ASSEMBLY

STEP 11



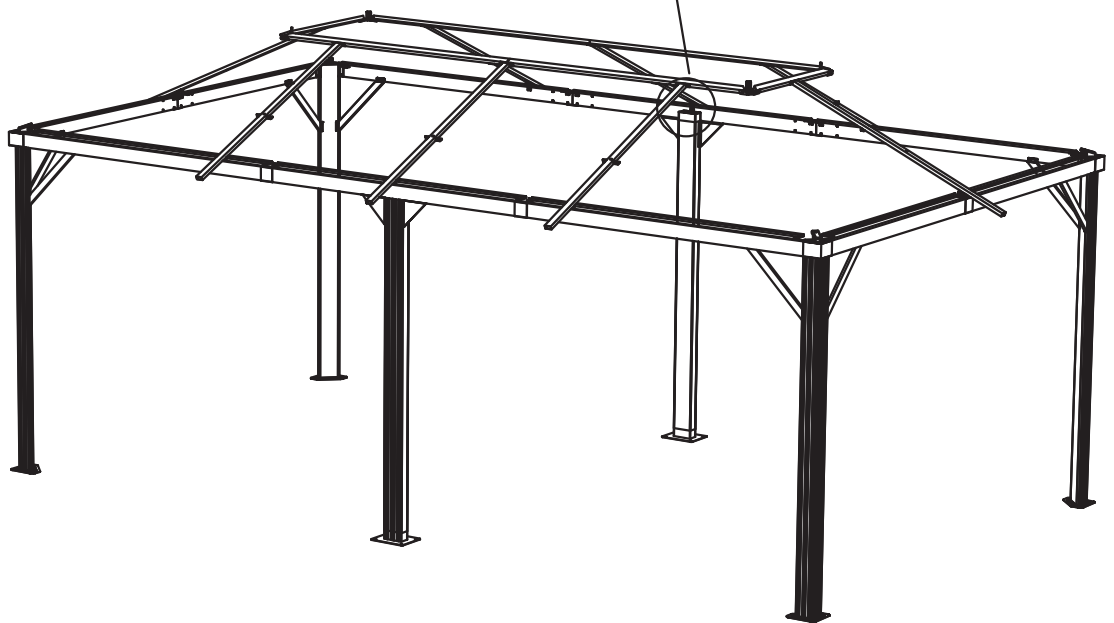
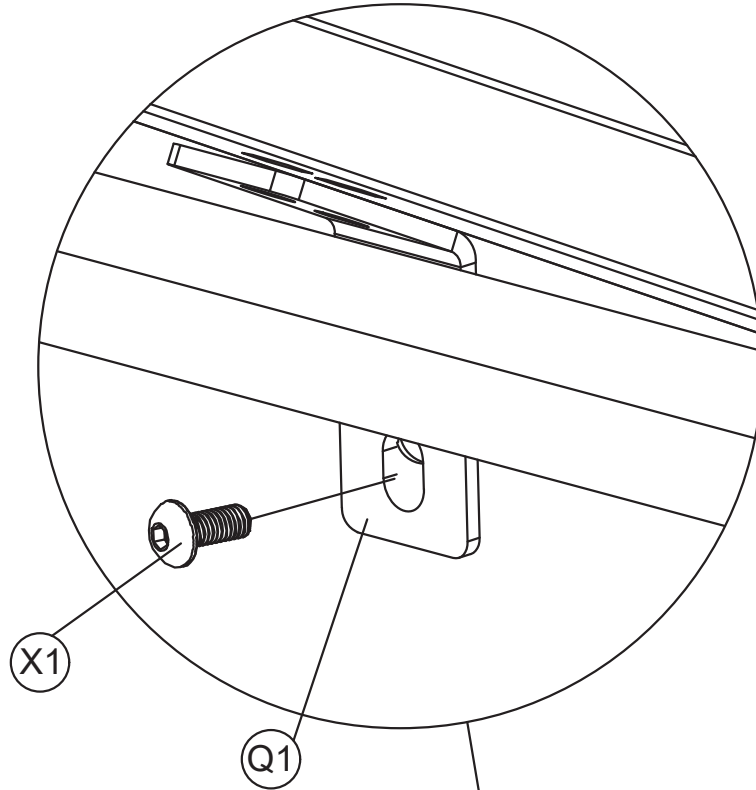
PRODUCT ASSEMBLY

STEP 12



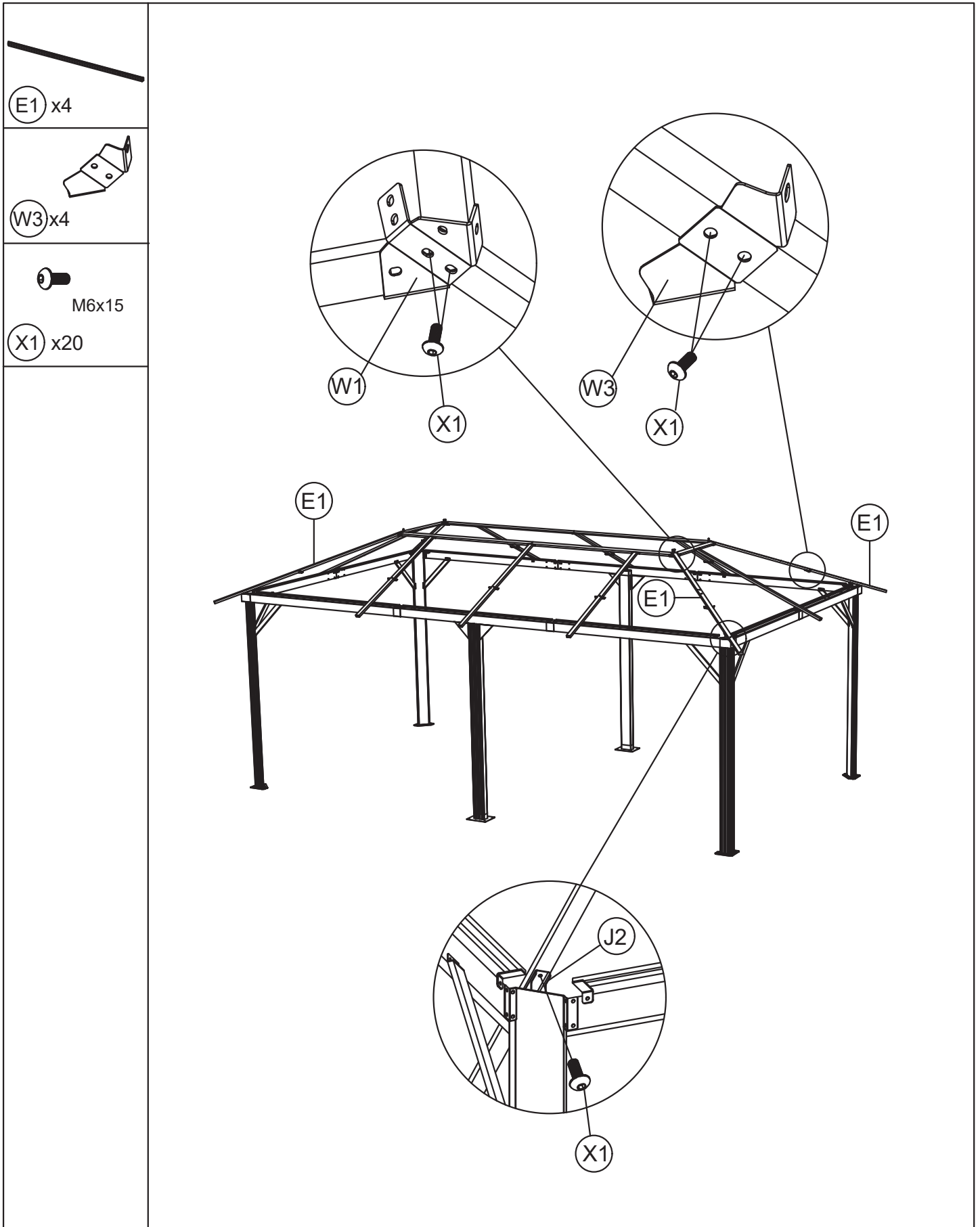
M6x15

(X1) x 8



PRODUCT ASSEMBLY

STEP 13



PRODUCT ASSEMBLY

STEP 14



(F1) x8

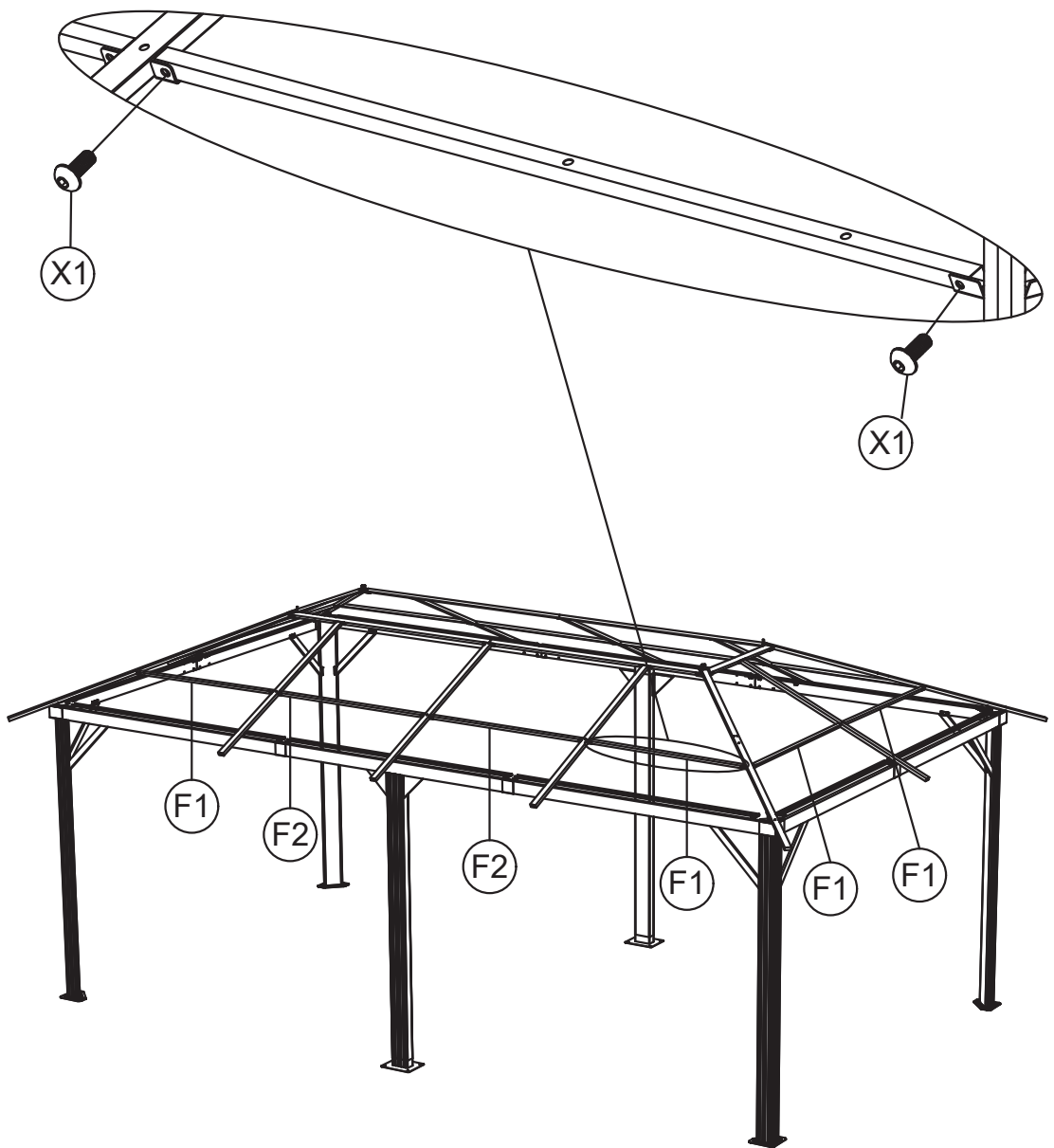


(F2) x4



M6x15

(X1) x24



PRODUCT ASSEMBLY

STEP 15



G1 x4



G2 x4



G3 x4

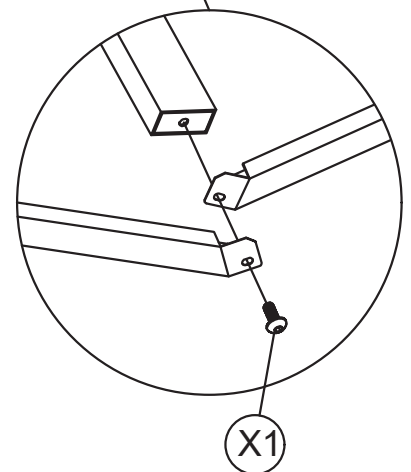
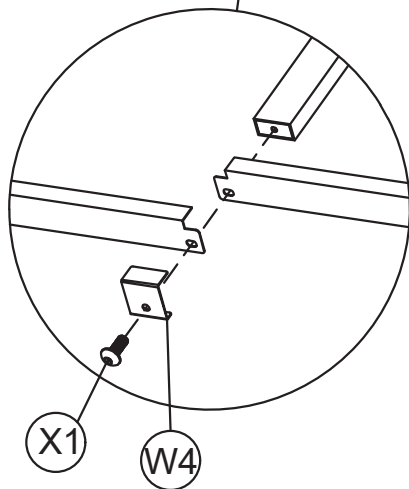
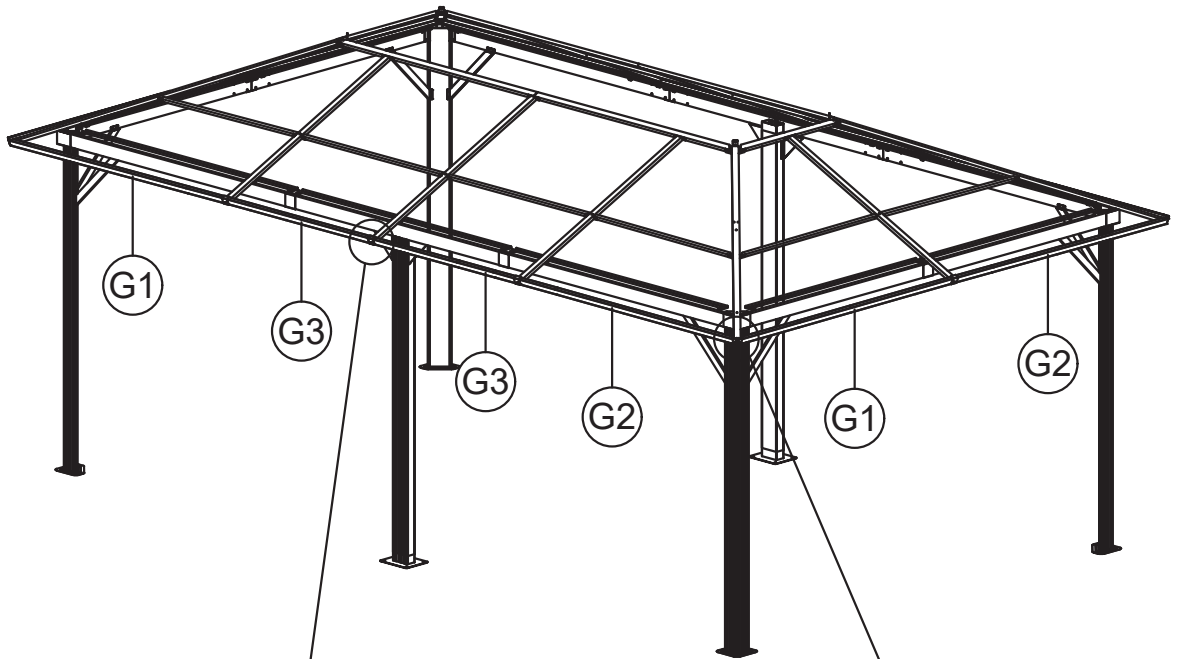


W4 x8



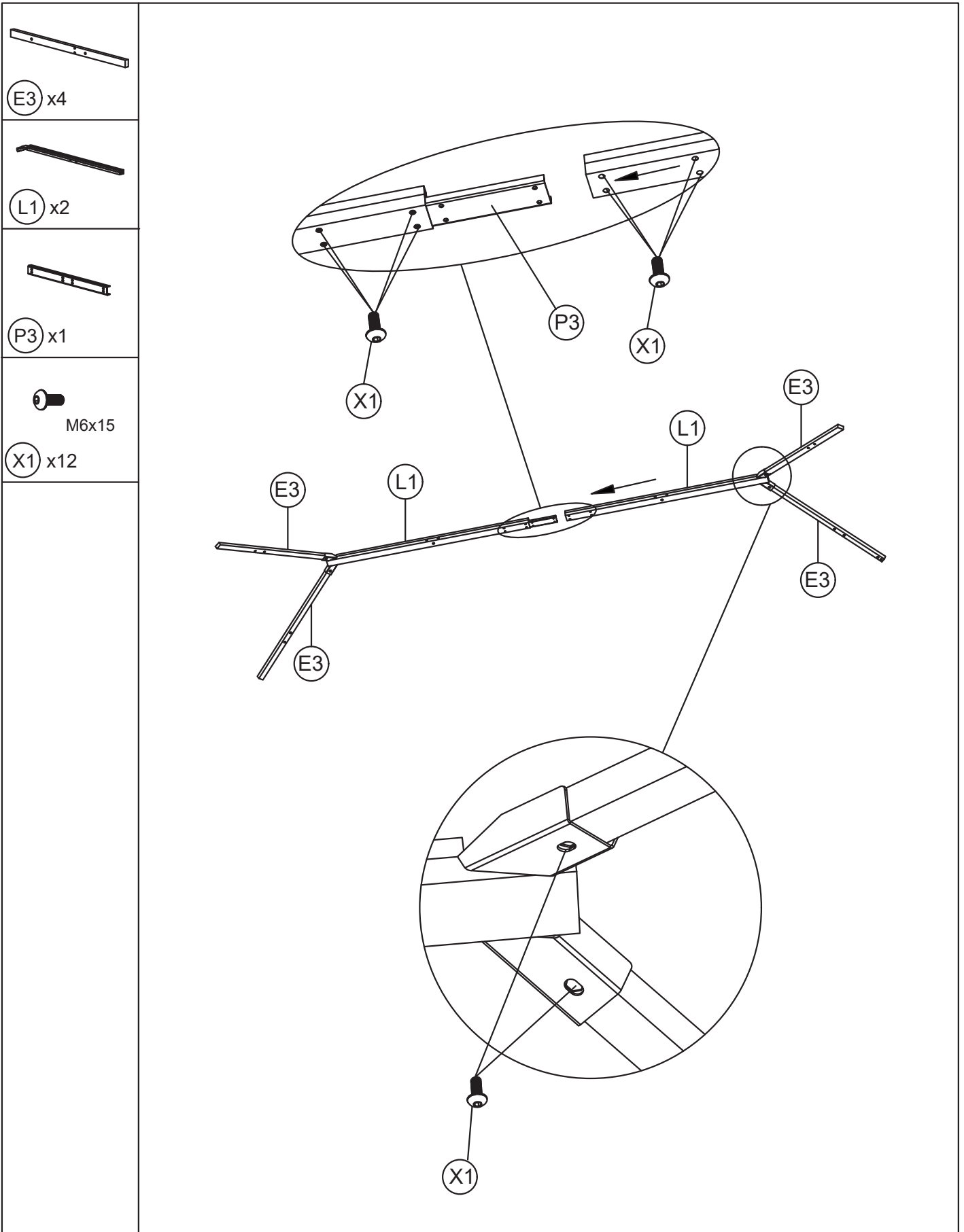
M6x15

X1 x12



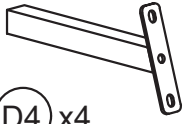
PRODUCT ASSEMBLY

STEP 16



PRODUCT ASSEMBLY

STEP 17

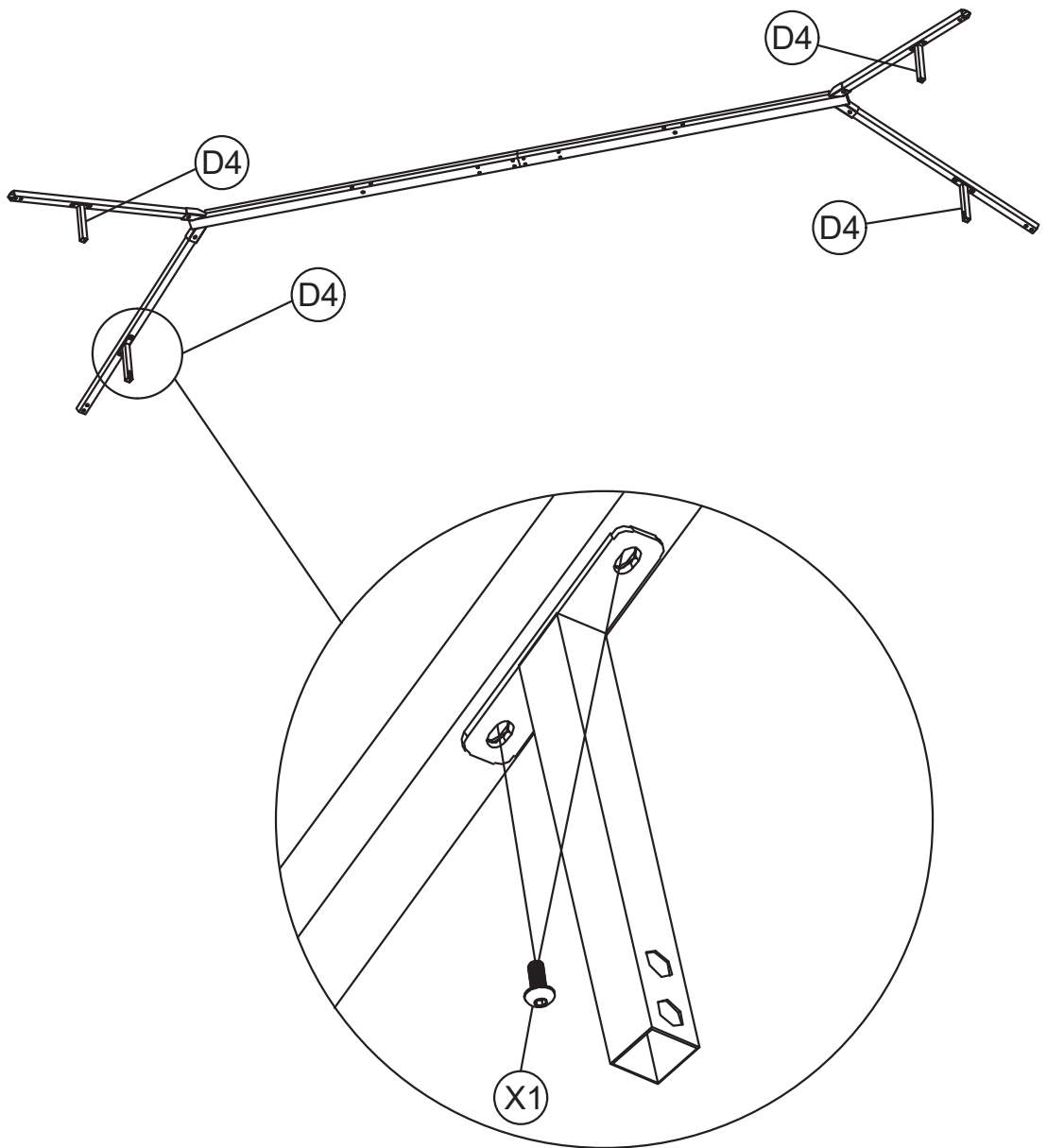


D4 x4



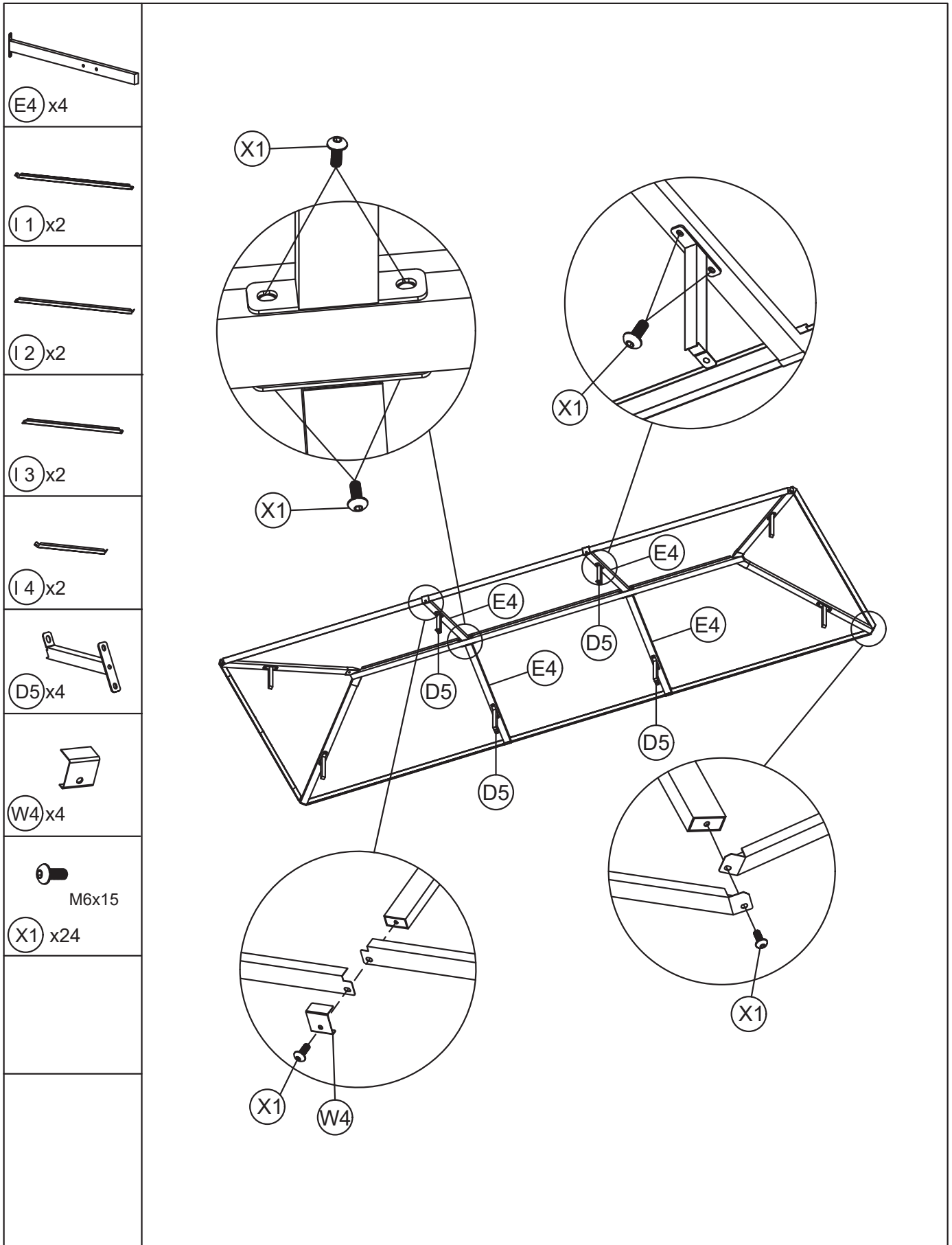
M6x15

X1 x8



PRODUCT ASSEMBLY

STEP 18



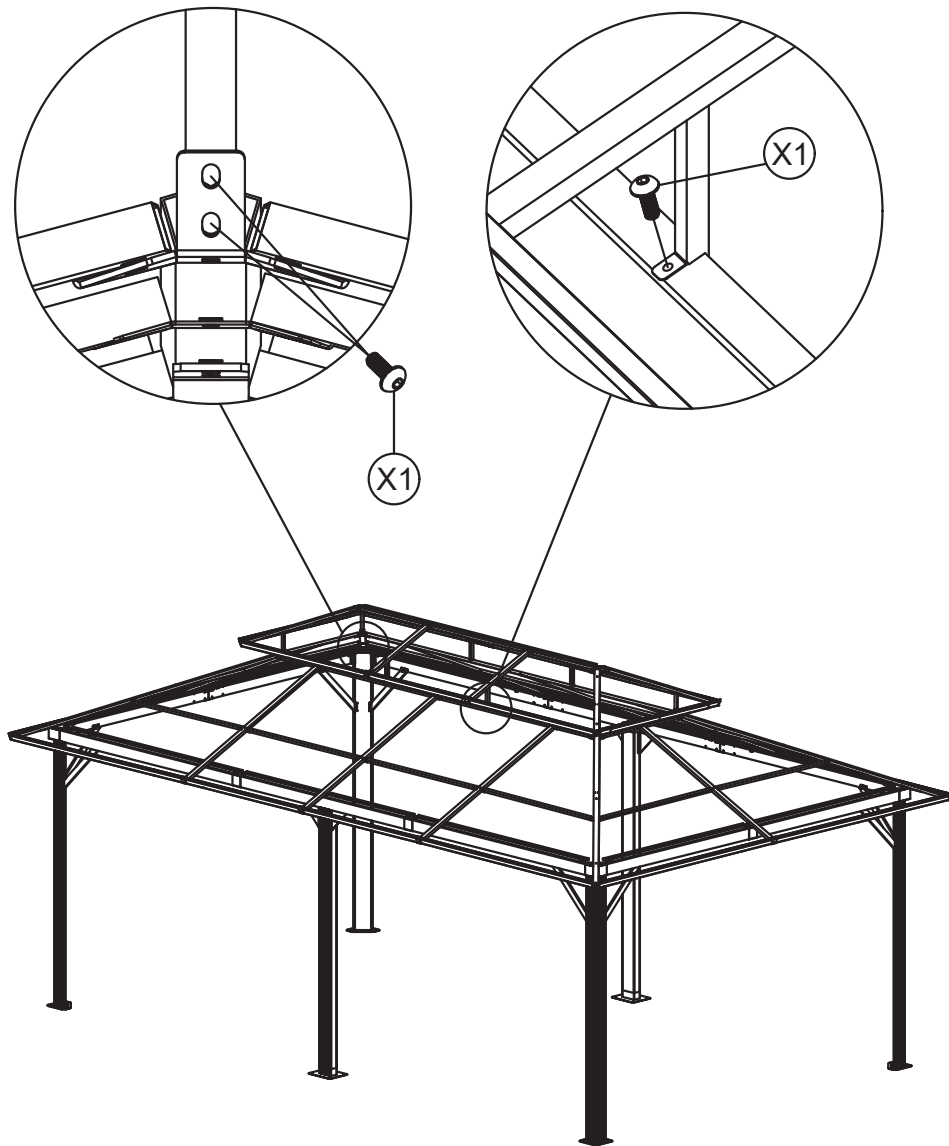
PRODUCT ASSEMBLY

STEP 19



M6x15

(X1) x12



PRODUCT ASSEMBLY

STEP 20



F3 x2

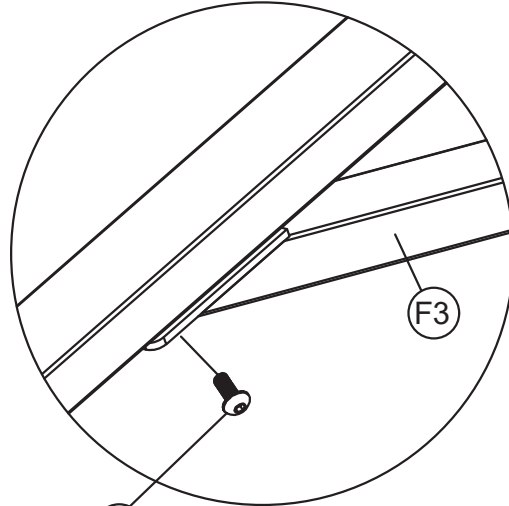


M6x15

X1 x6

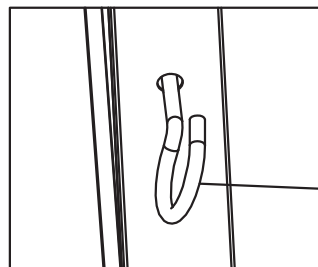
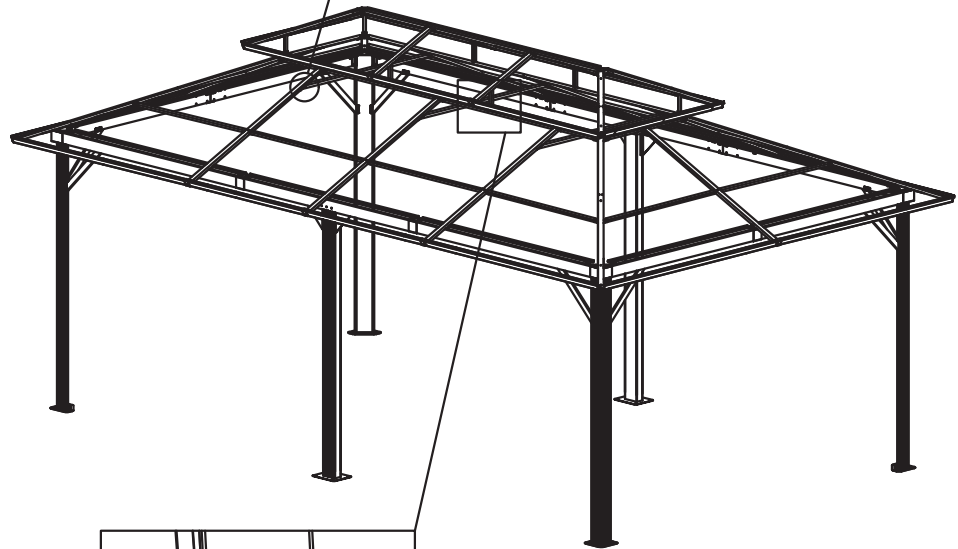


S5 x 3



X1

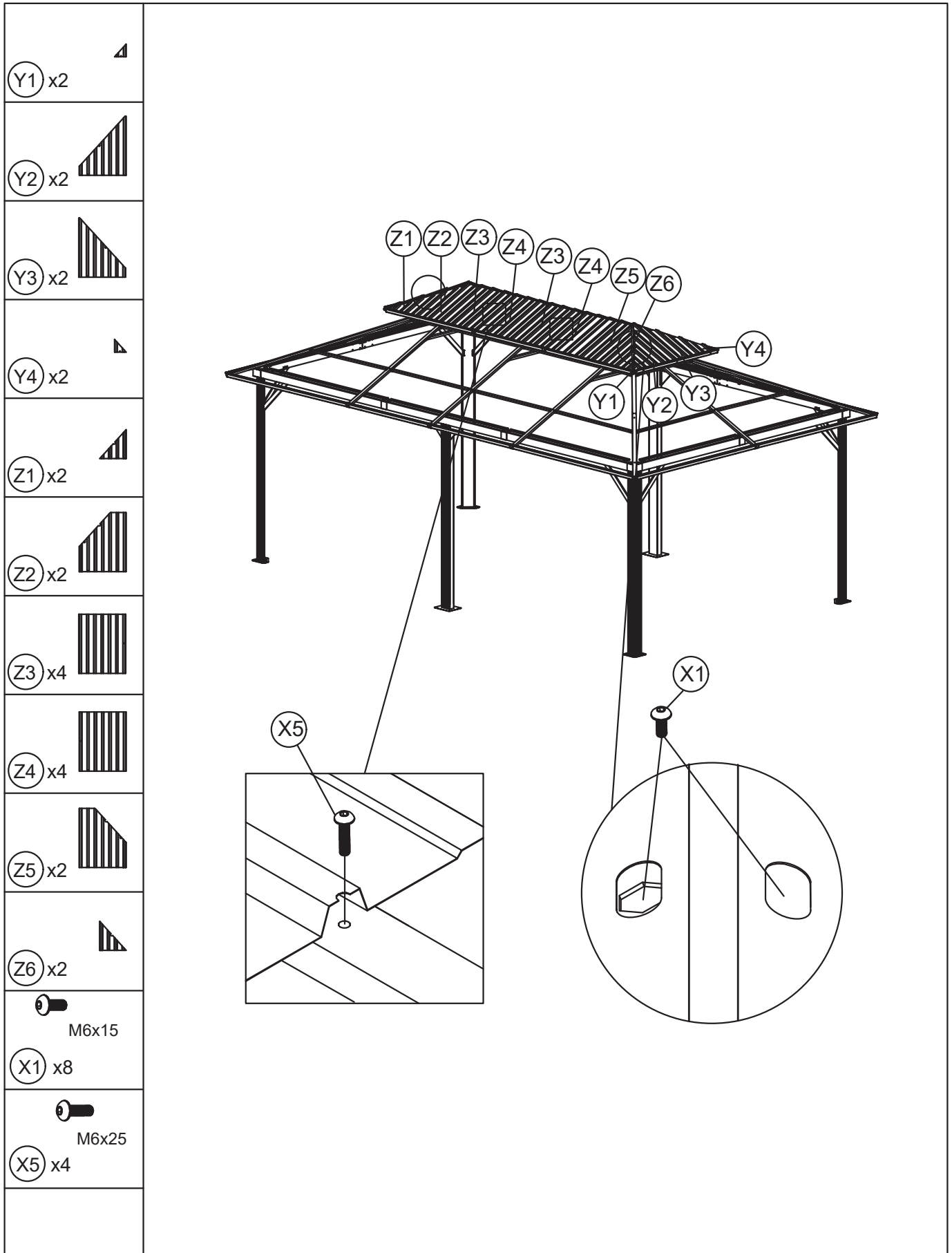
F3



S5

PRODUCT ASSEMBLY

STEP 21

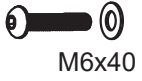


PRODUCT ASSEMBLY

STEP 22

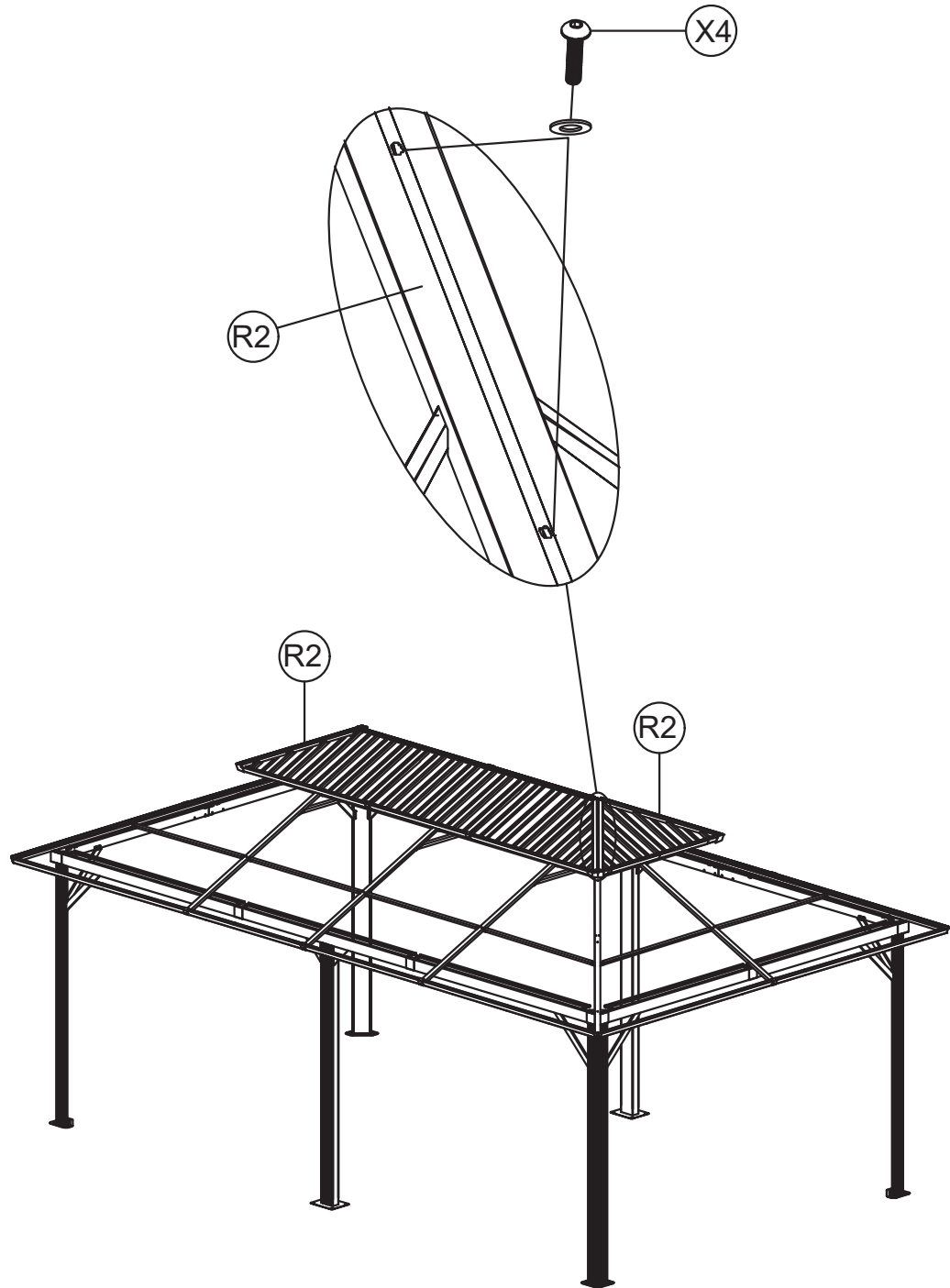


(R2) x4



M6x40

(X4) x8



PRODUCT ASSEMBLY

STEP 23

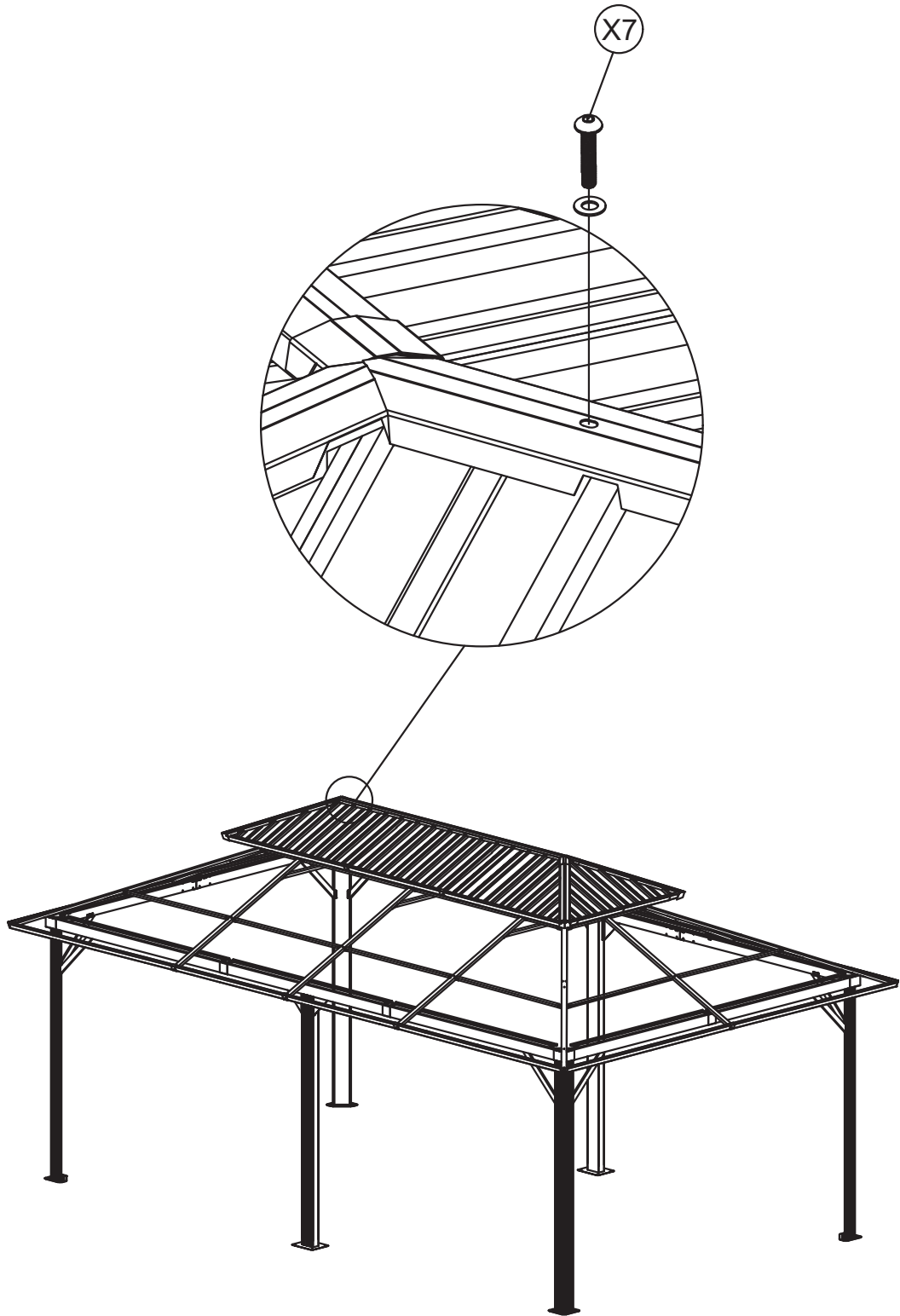


L2 x2



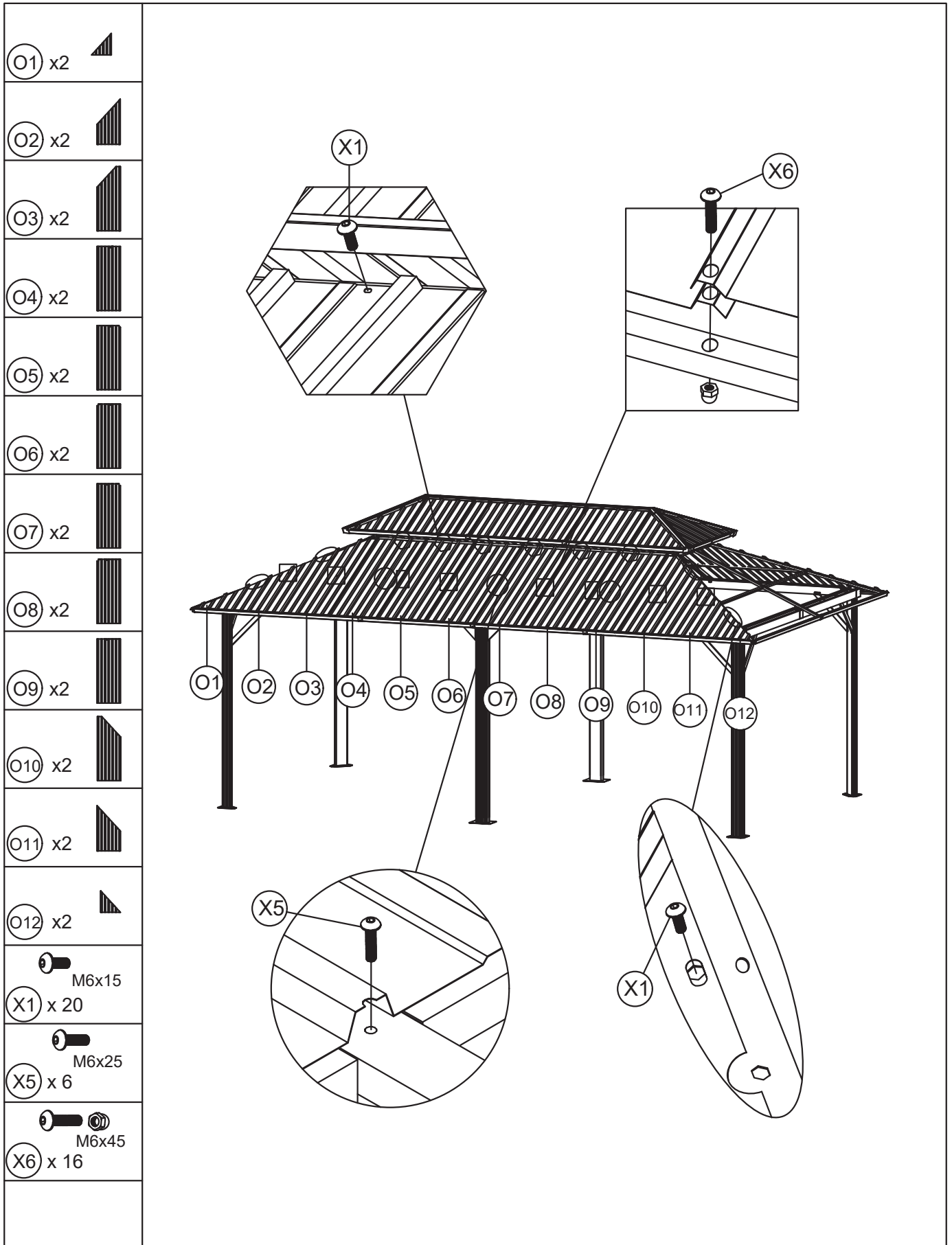
M6x55

X7 x4



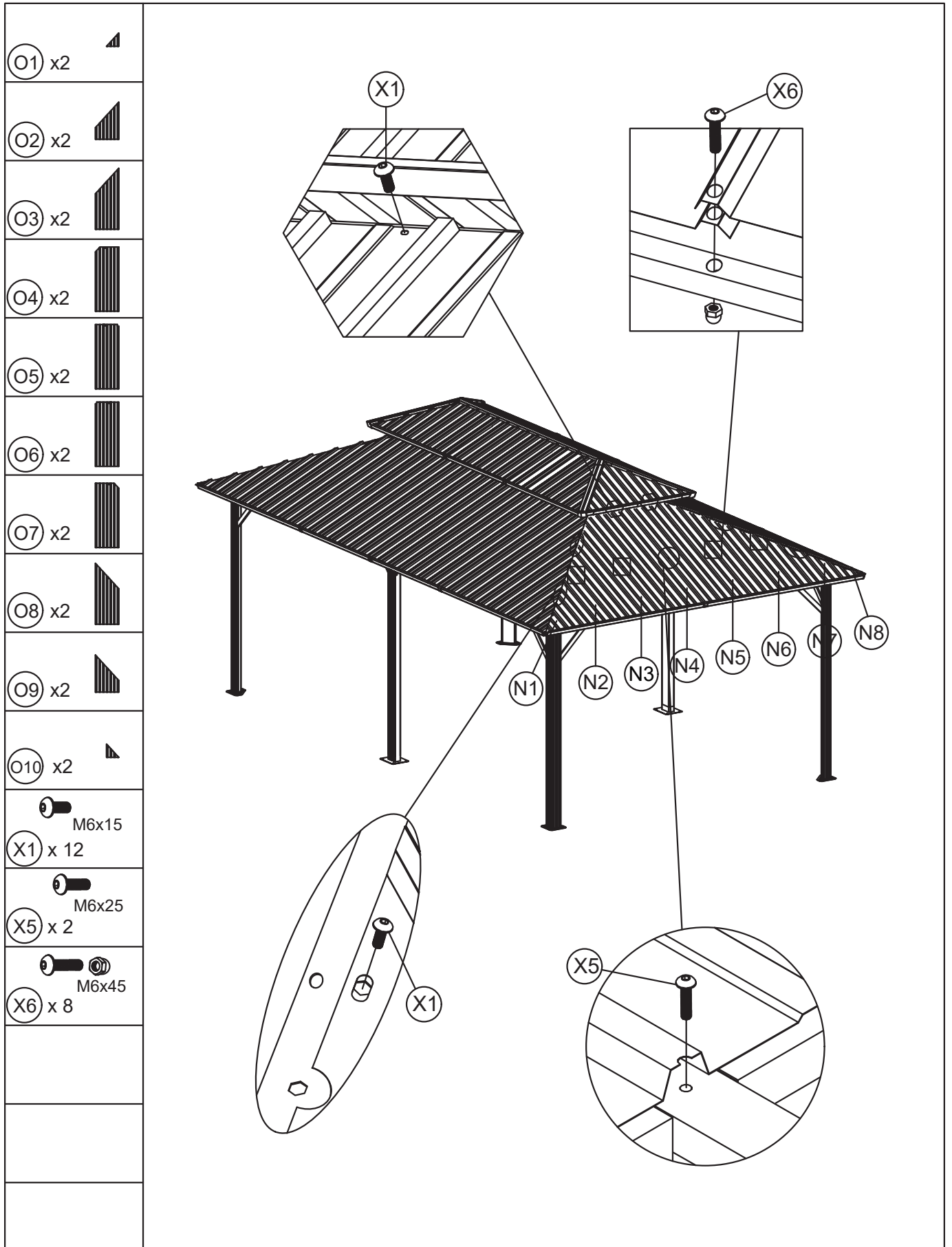
PRODUCT ASSEMBLY

STEP 24



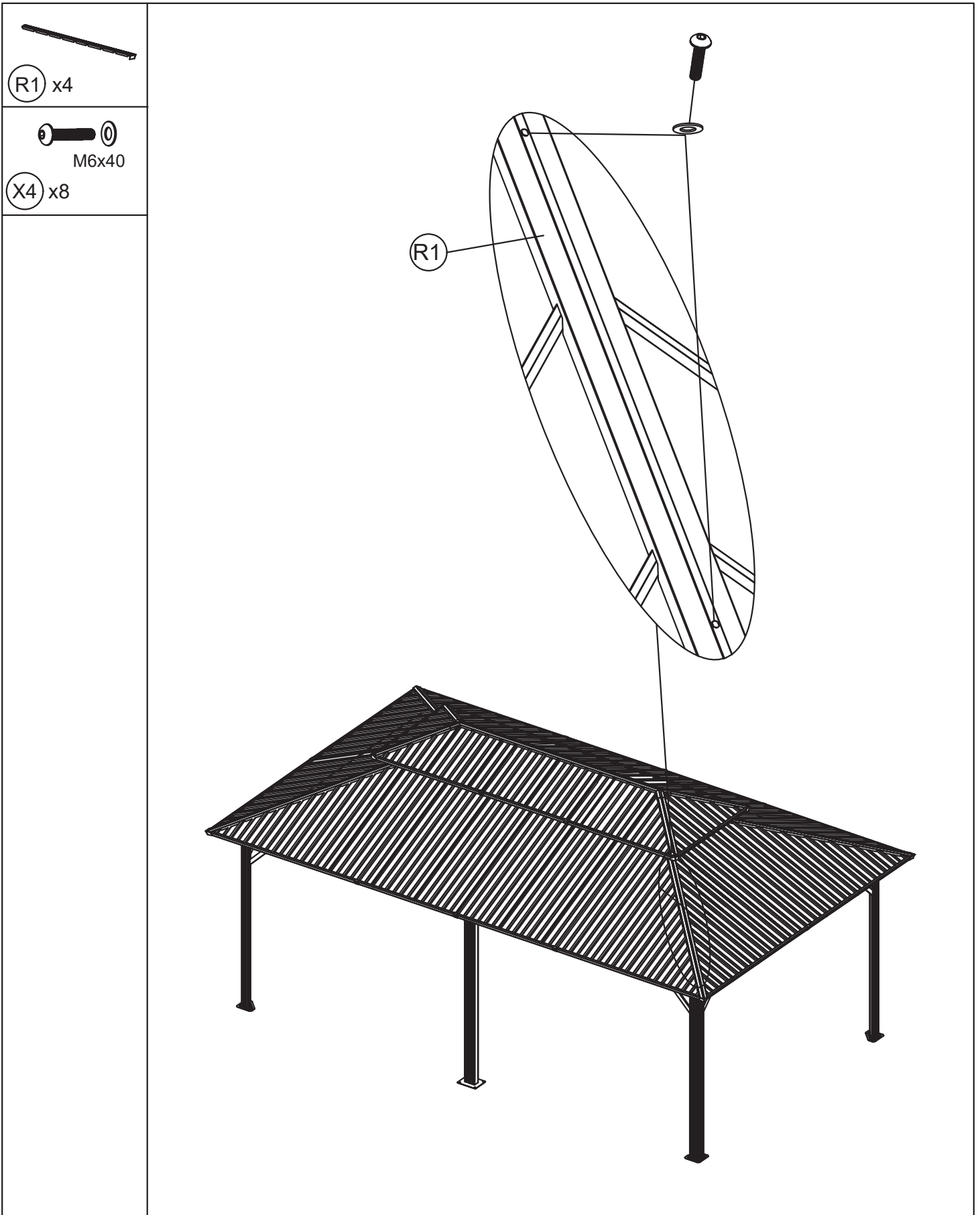
PRODUCT ASSEMBLY

STEP 25



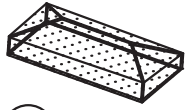
PRODUCT ASSEMBLY

STEP 26

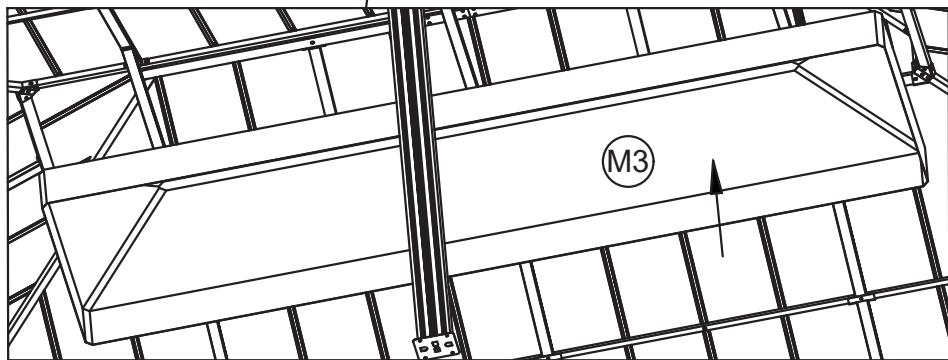
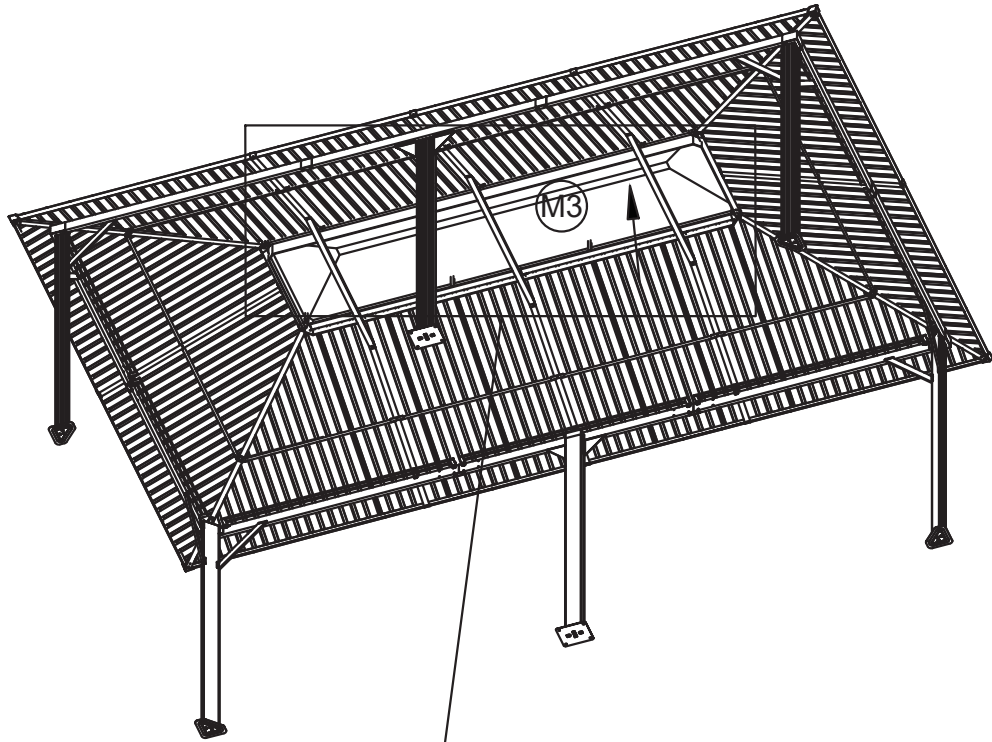


PRODUCT ASSEMBLY

STEP 27



M3 x1

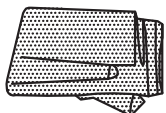


PRODUCT ASSEMBLY

STEP 28



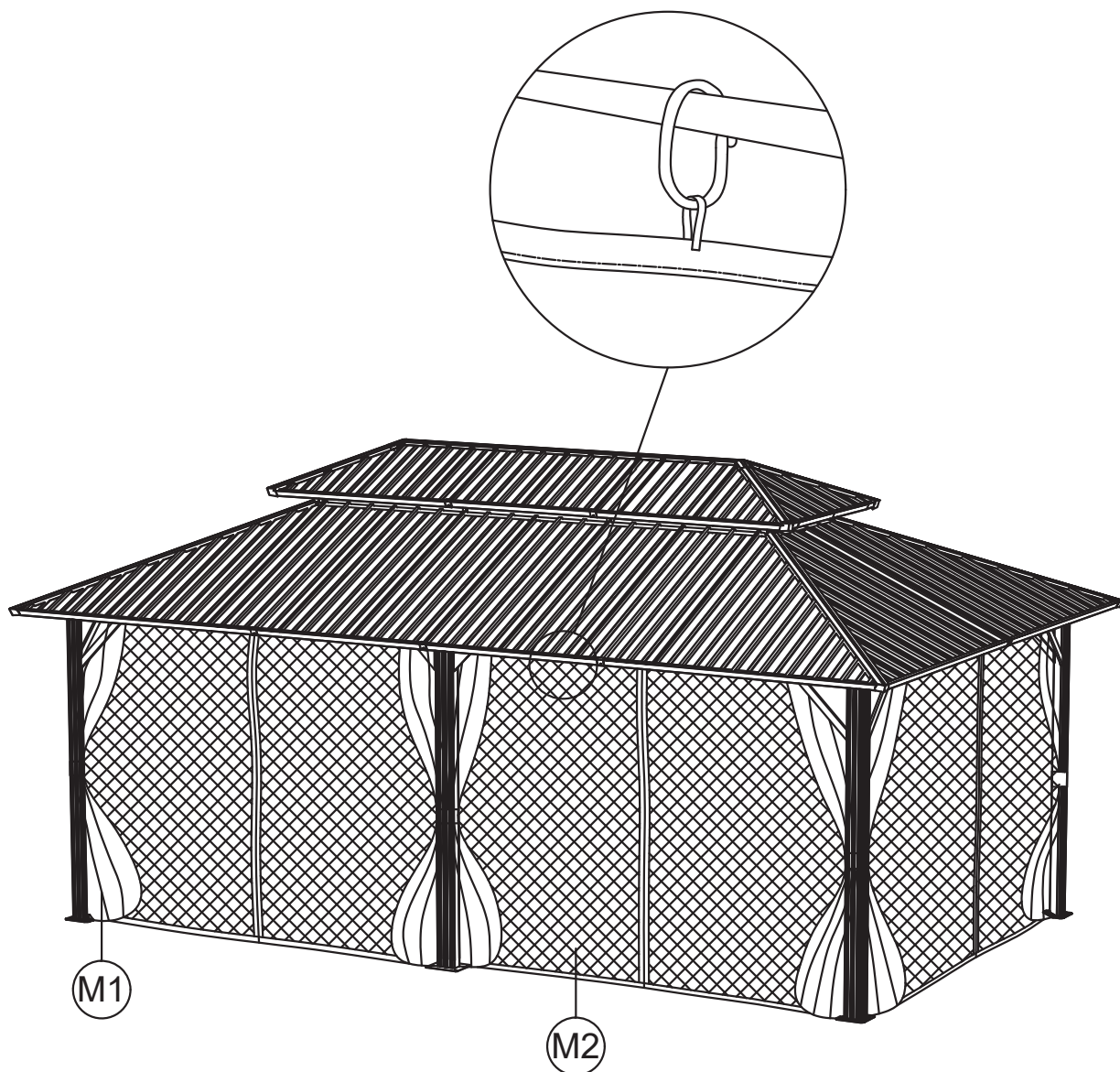
(M1) x1



(M2) x1



(M4) x132



PRODUCT ASSEMBLY

STEP 29

Carton-1/4		Carton-2/4		Carton-3/4	
Part	Qty	Part	Qty	Part	Qty
A1	4	E4	4	N1	2
B1	2	F1	8	N2	2
B2	2	F2	4	N3	2
B5	2	F3	3	N6	2
C2	6	G3	4	N7	2
E1	4	R2	4	N8	2
E2	8	L1	2	O2	2
G1	4	L2	2	Y1	2
G2	4	H1	4	Y2	2
R1	4	H2	4	Y3	2
D4	4	J1	4	Y4	2
D5	4	J2	4	Z1	2
K1	6	J3	2	Z2	2
Q1	8	K2	4	Z3	4
Q2	8	P1	6	Z4	4
Q3	2	P2	2	Z5	2
Q4	2	P3	1	Z6	2
W1	4	M4	132	Carton-4/4	
W2	8	S3	1	Part	Qty
W3	4	S4	20	O1	2
W4	12	S5	3	O3	2
		X1 X2 X3 X4 X5 X6 X7 S1 S2		O4	2
Carton-2/4				O5	2
Part	Qty	Carton-3/4		O6	2
A2	2	Part	Qty	O7	2
B3	2	I 1	2	O8	2
B4	2	I 2	2	O9	2
C1	4	I 3	2	O10	2
D1	2	I 4	2	O11	2
D2	2	M1	1	O12	2
D3	2	M2	1	N4	2
E3	4	M3	1	N5	2