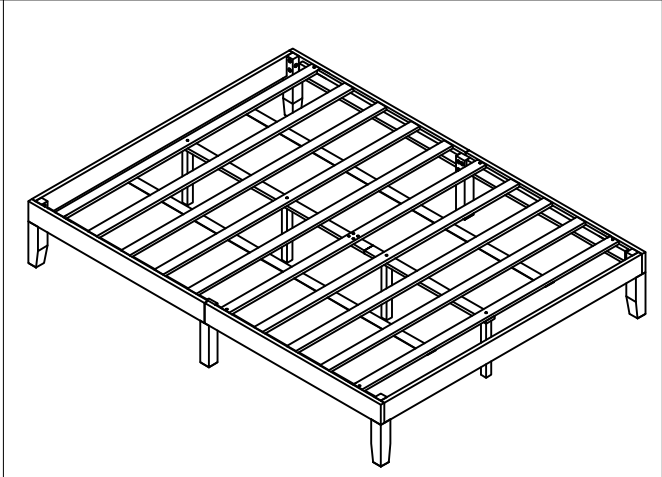
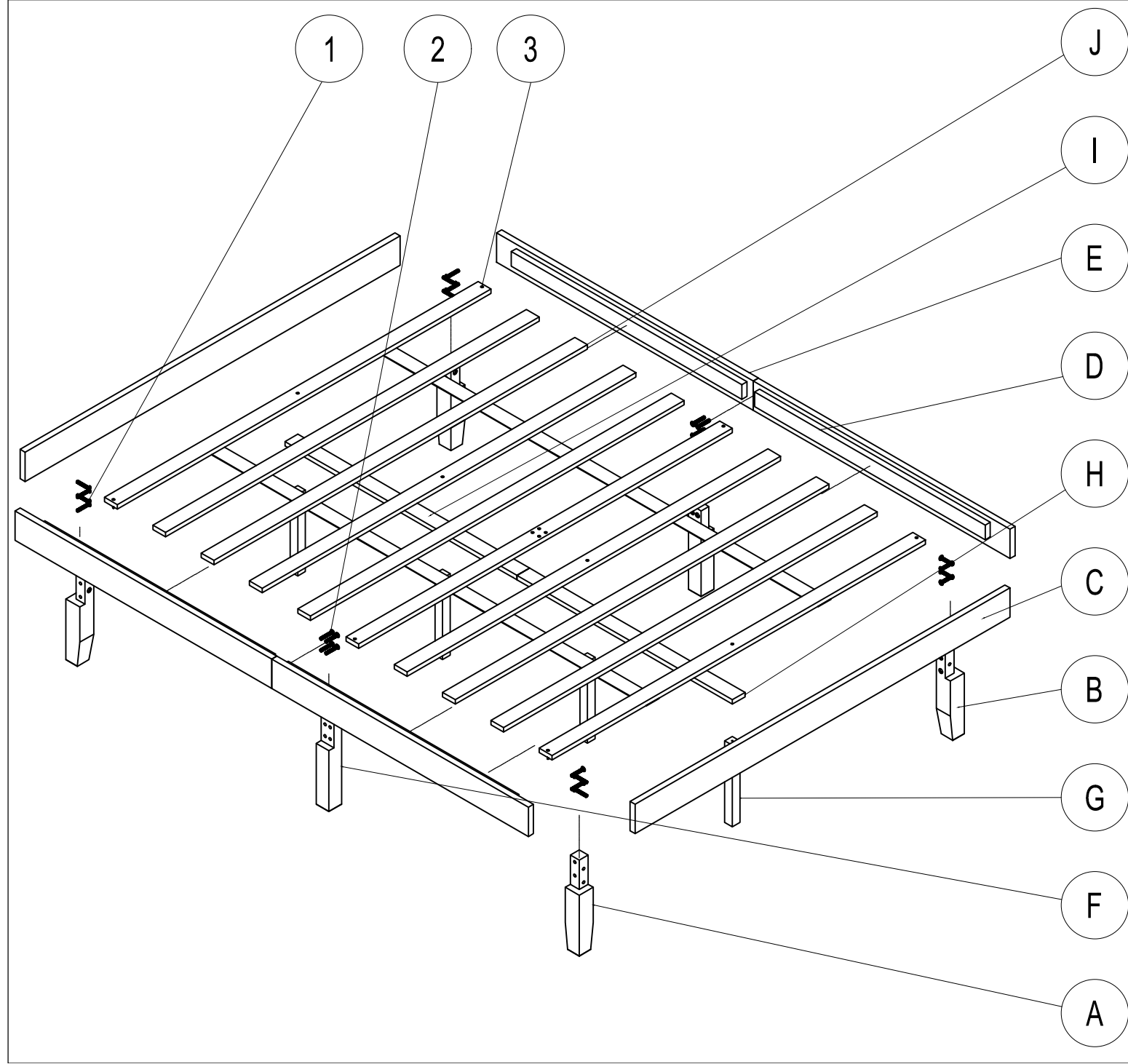
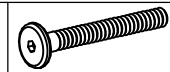


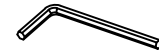


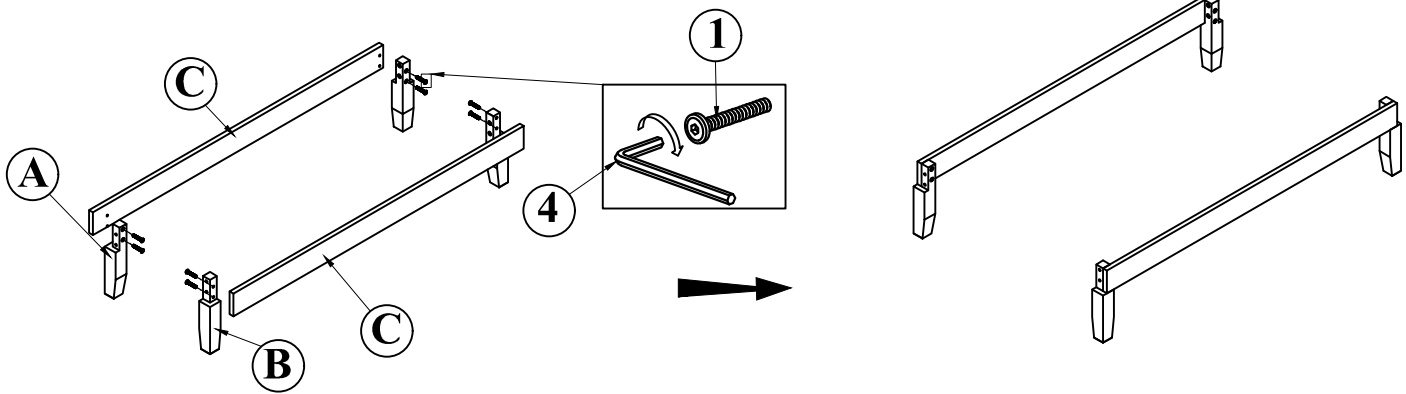
BED ASSEMBLY INSTRUCTIONS



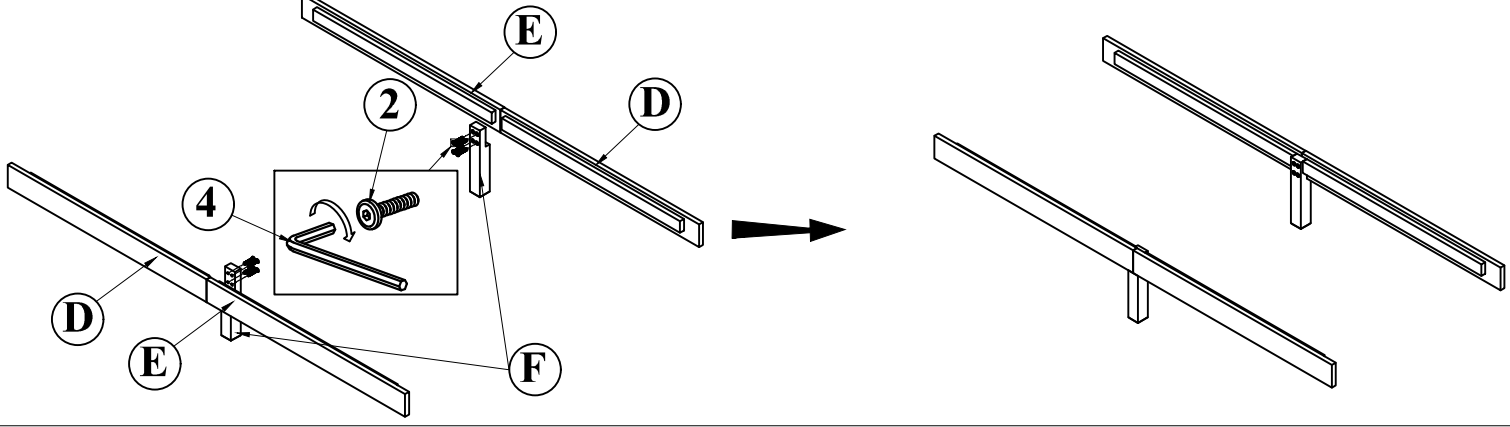
NO.	DESCRIPTION	QTY.
A	Left leg	2 pcs
B	Right leg	2 pcs
C	Head / Footboard	2 pcs
D	Left Side Rails	2 pcs
E	Right Side Rails	2 pcs
F	Middle leg	2 pcs
G	Support leg	4 pcs
H	Support bar	1 pcs
I	Support bar	1 pcs
J	Slat	10 pcs

HARDWARE LIST				
No.	DESCRIPTION	SKETCH		Qty.
1	Long Bolt	M8*45mm		16 pcs
2	Short Bolt	M8*25mm		08 pcs
3	Screw	M4*25mm		14 pcs
4	Allen key	M4		1 pcs

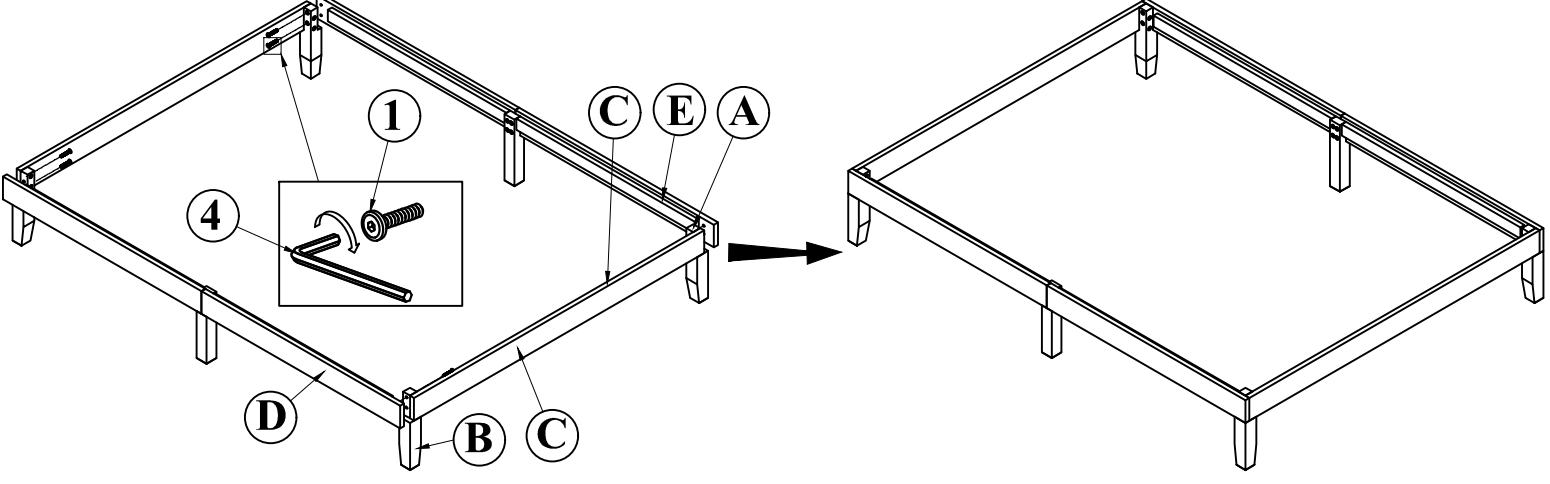
STEP 1: Attach Leg (A) / Leg (B) to the headboard (C) / Footboard (C) by using long bolt (1). Then tighten with Allen key (4).



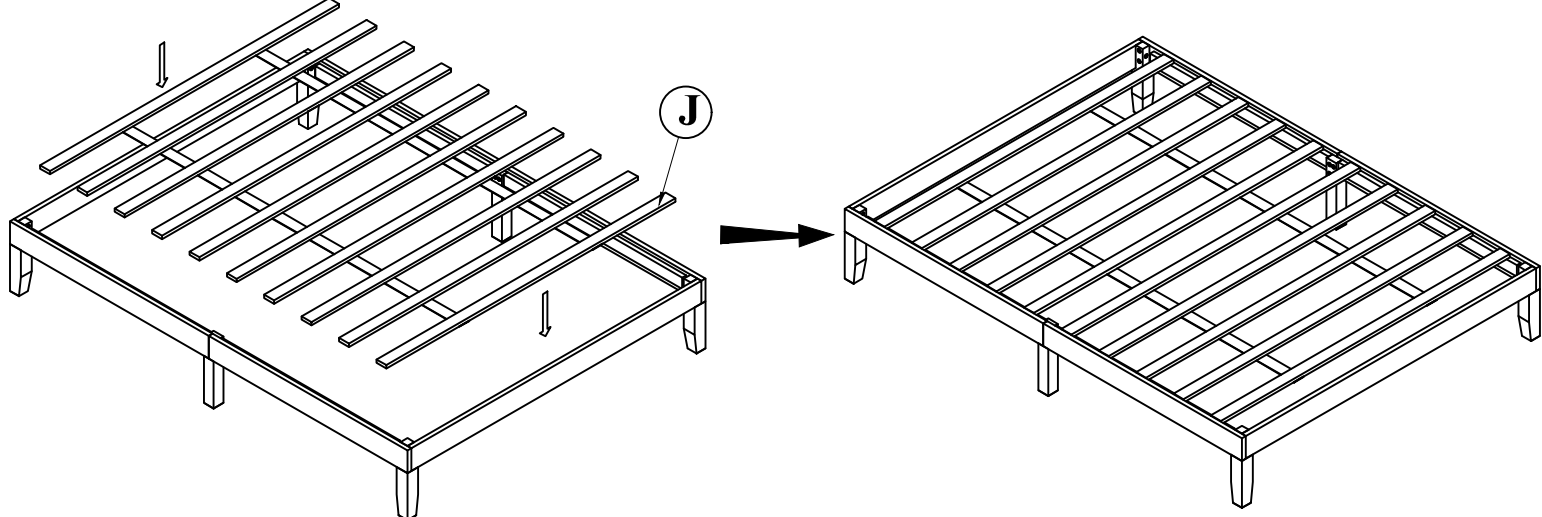
STEP 2: Attach Middle leg (F) to the Side Rails (D) and (E) by using short bolt (2). Then tighten with Allen key (4).



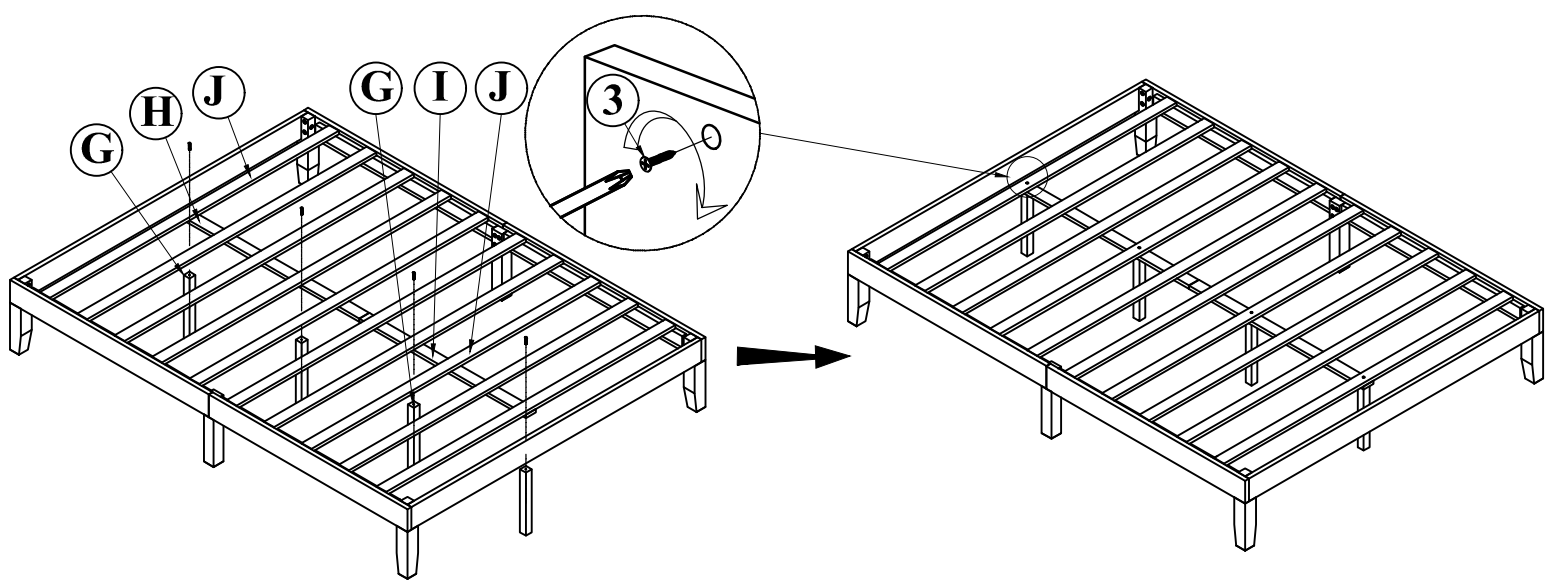
STEP 3: Attach the Side Rails (E) to Leg (A) and footboard (C). Opposite direction Side Rails (D) to Leg (B) and footboard (C) using long bolt (1). Then tighten with Allen key (4).



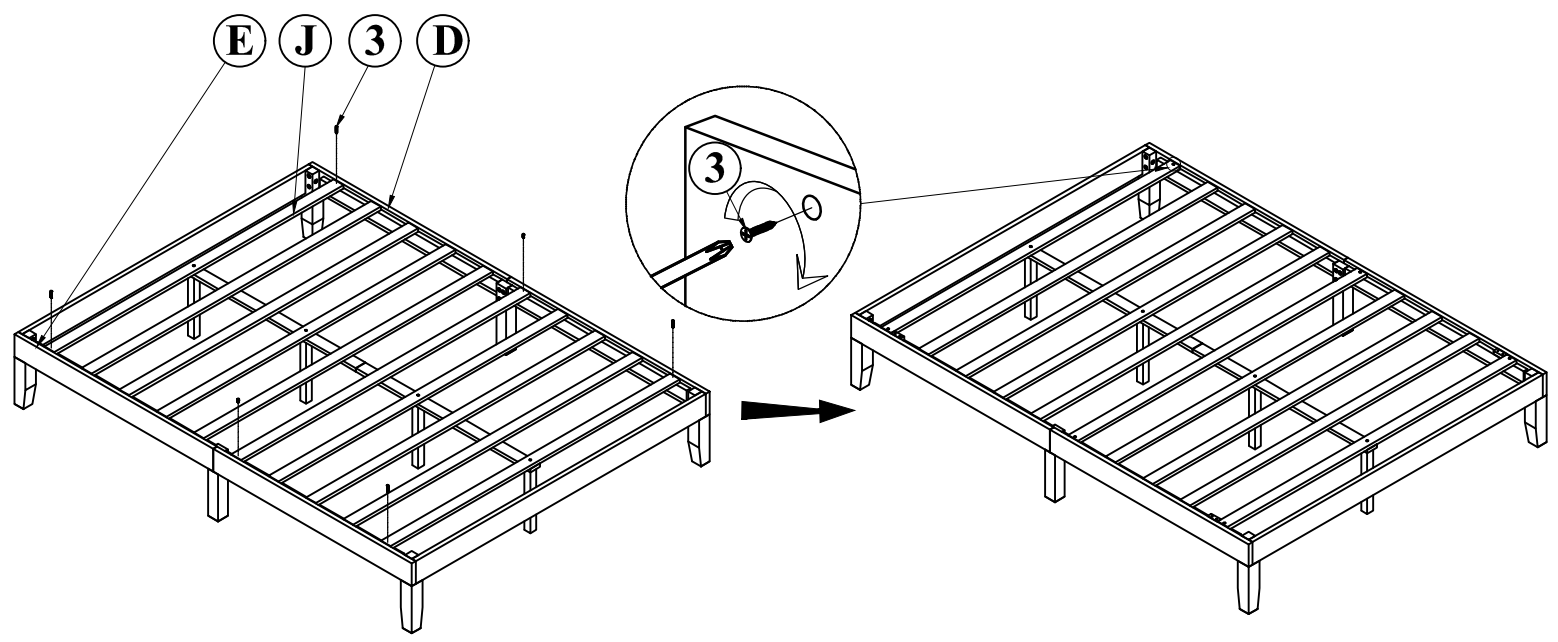
STEP 4: Put the Slats for flat Bed (J) on the Front / Back Rails.



STEP 5: Attach the Support Bar (H) and Support leg (G) to the Slat (J).
Support Bar (I) and Support leg (G) to the Slat (J). Then rotate tightly.



STEP 6: Then attach Slat for daybed to Side Rails (E) and (D) with screw (3) by Screw driver.



STEP 7: Attach Slat for daybed (J) to Support bar (H) with Screw (3) by Screwdriver.

