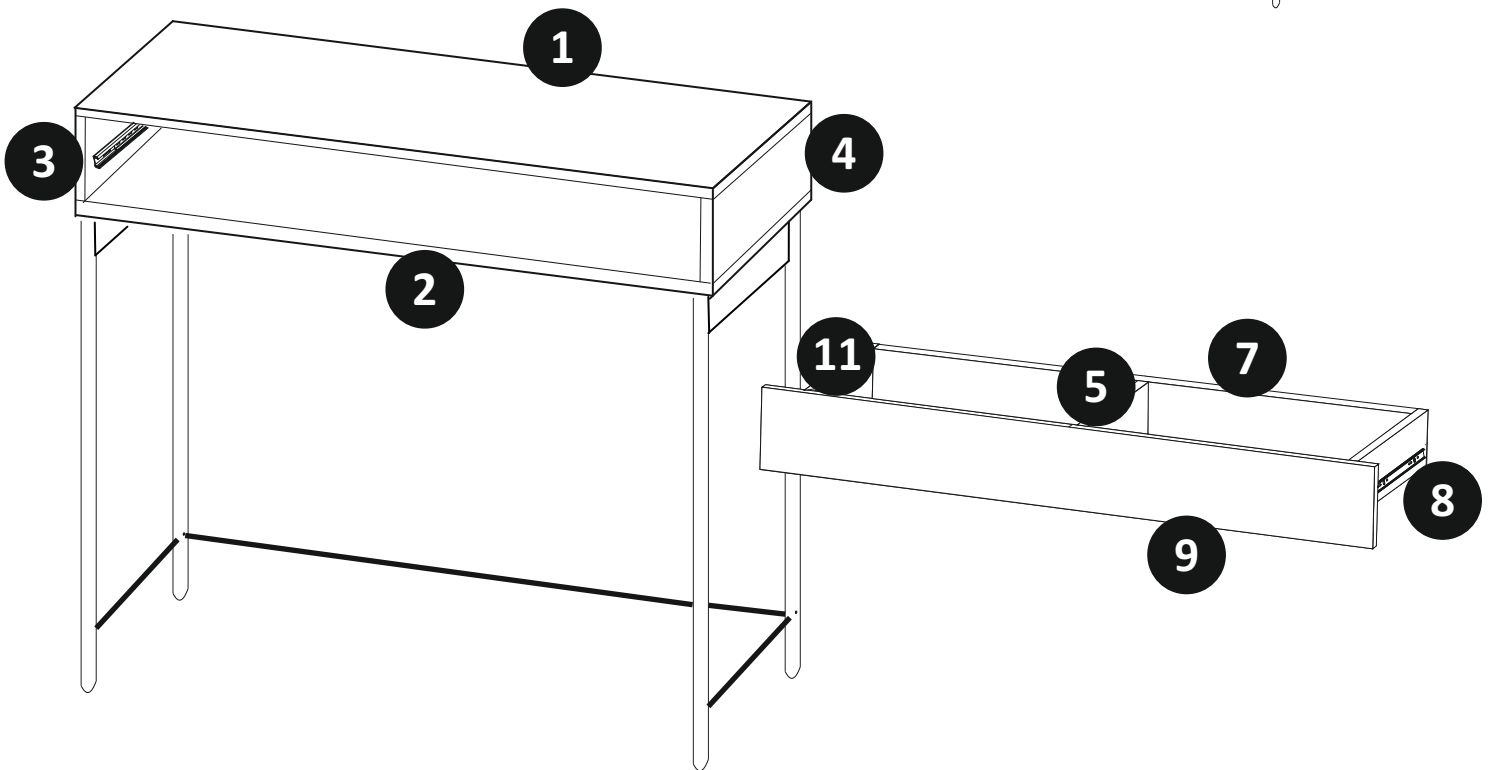
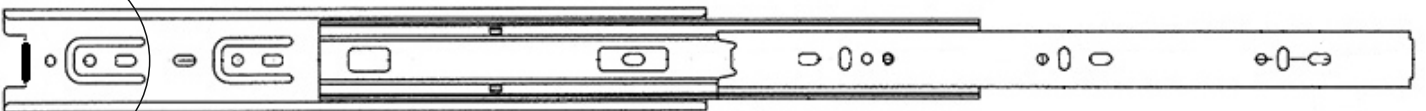
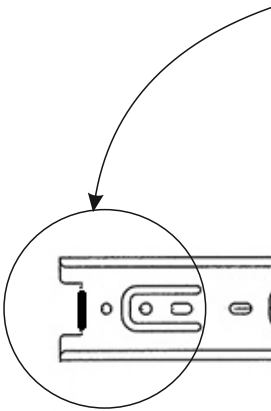
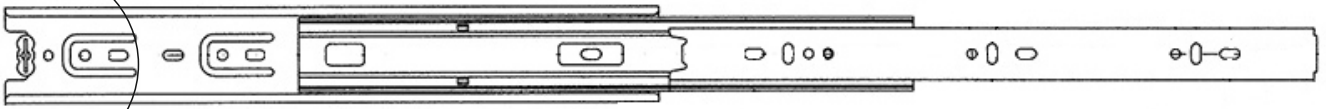
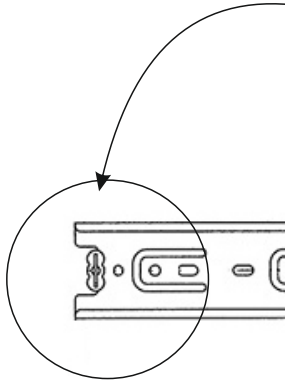
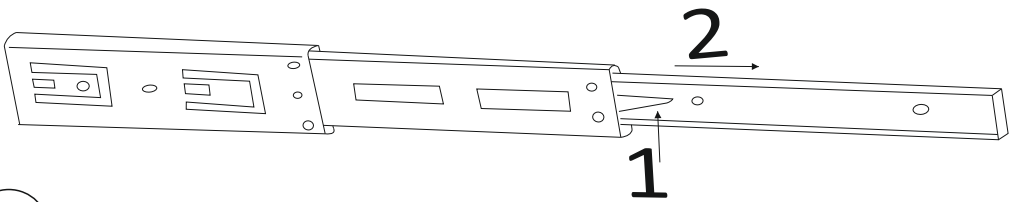


Installation & Assembly

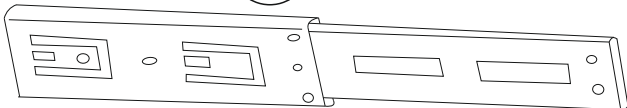




P

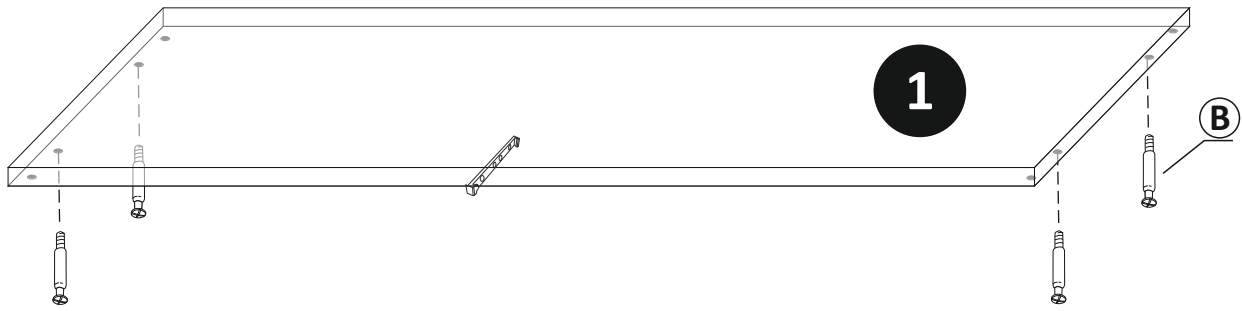
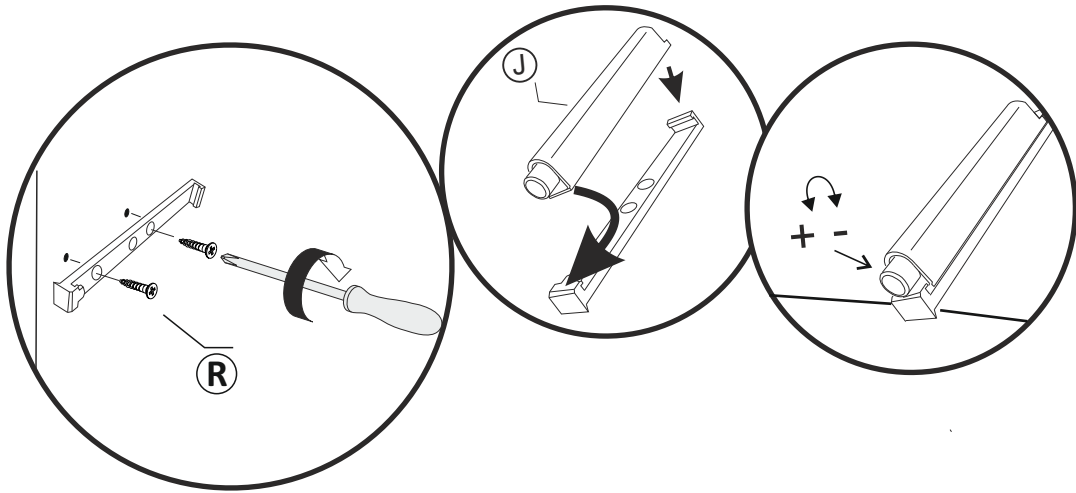
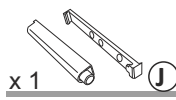
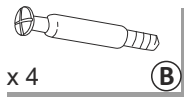


P1

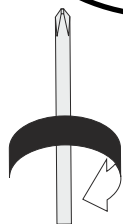
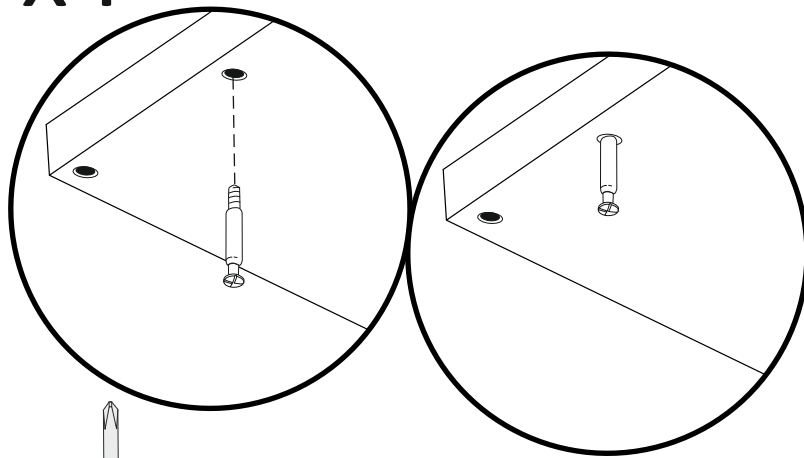


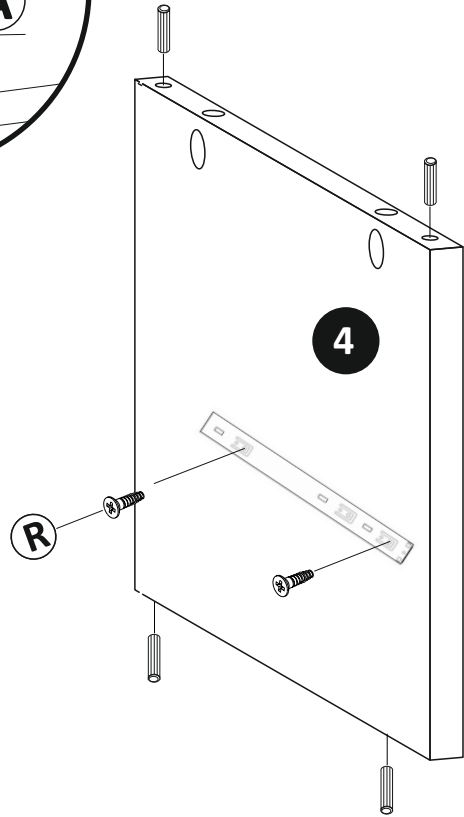
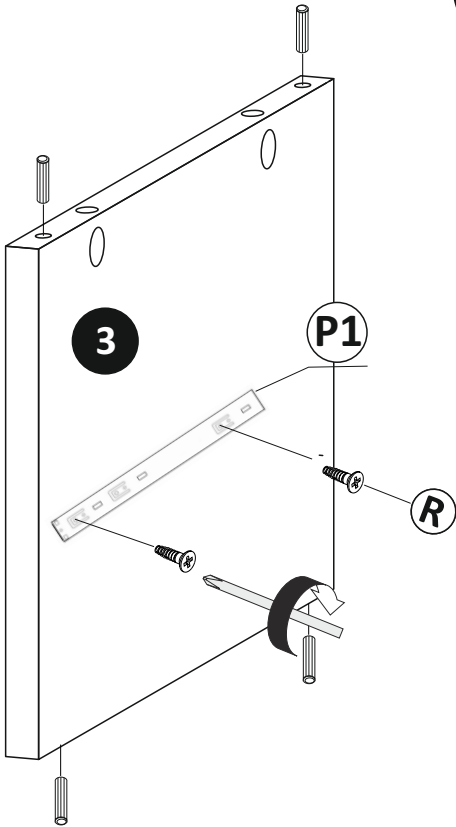
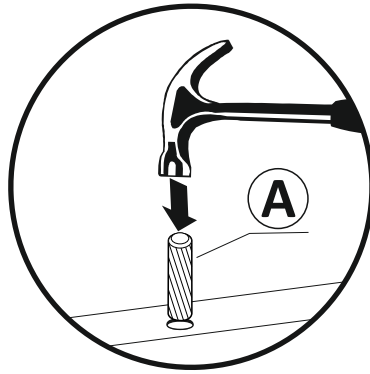
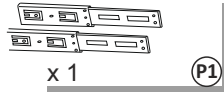
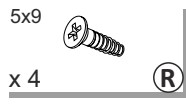
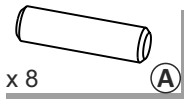
P2

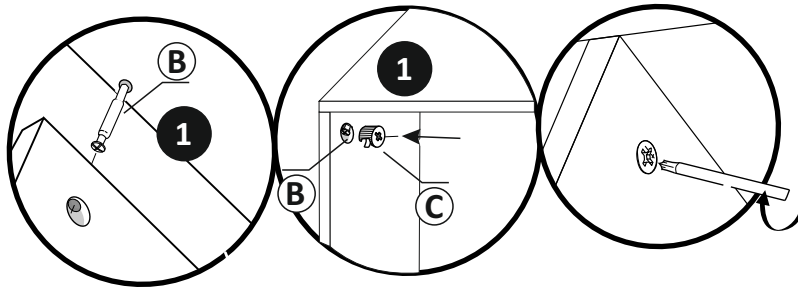
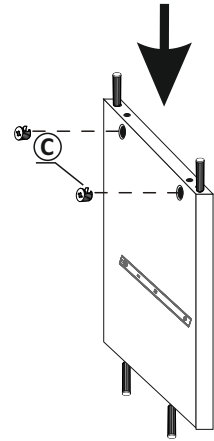
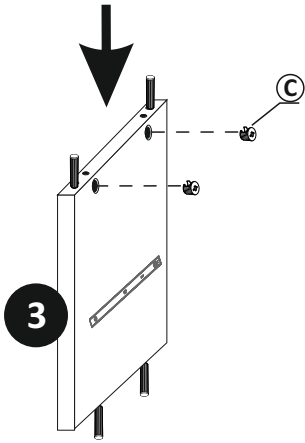
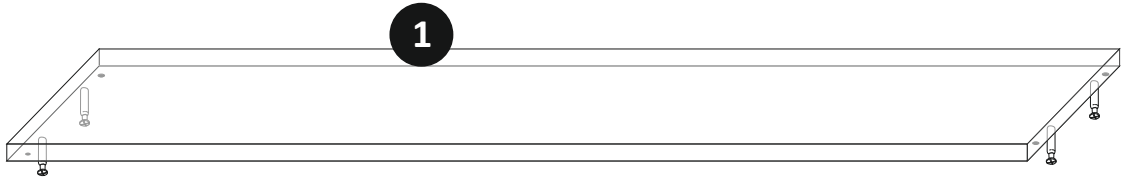
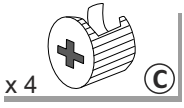


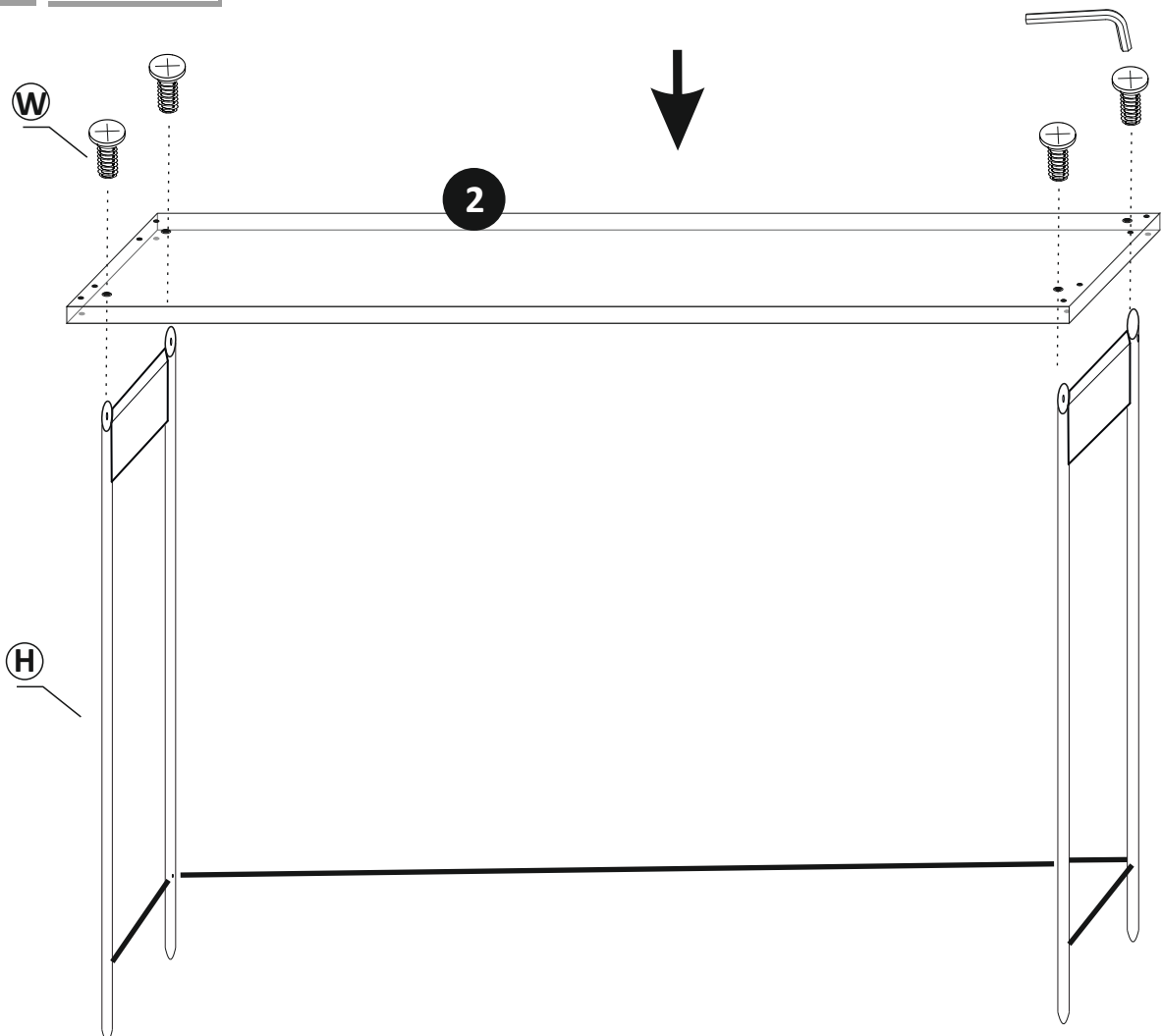
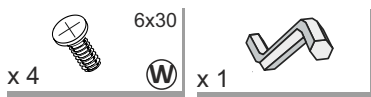
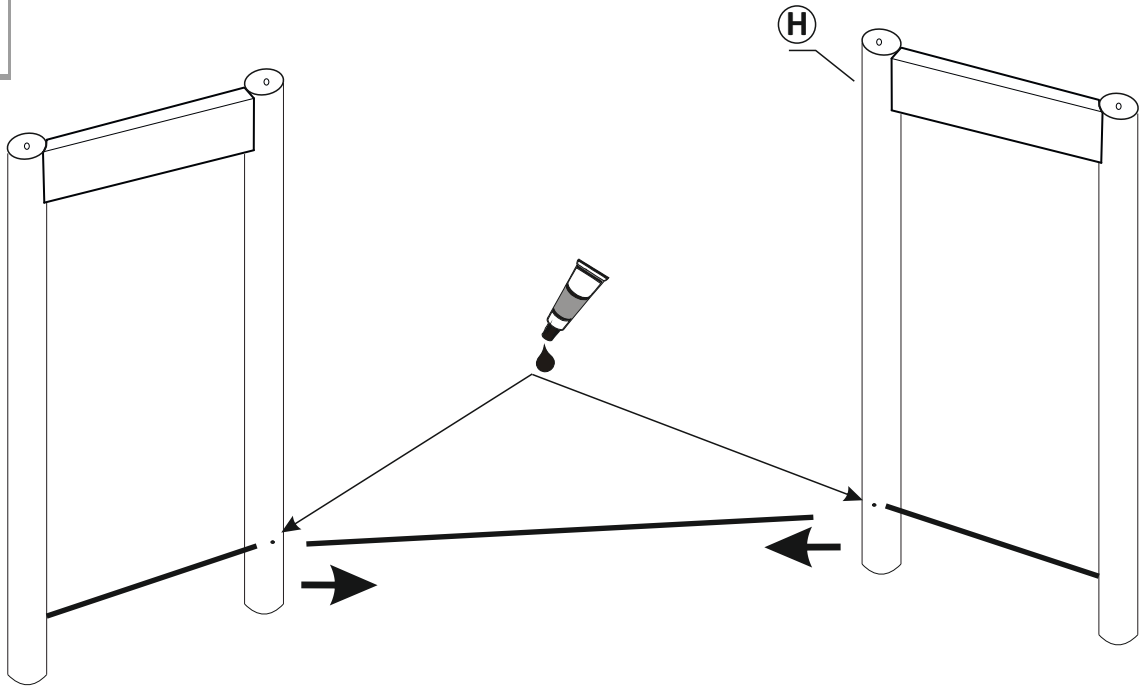
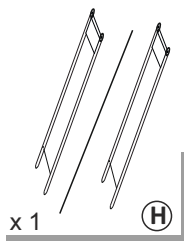


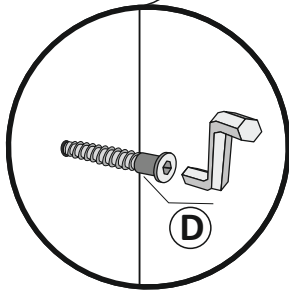
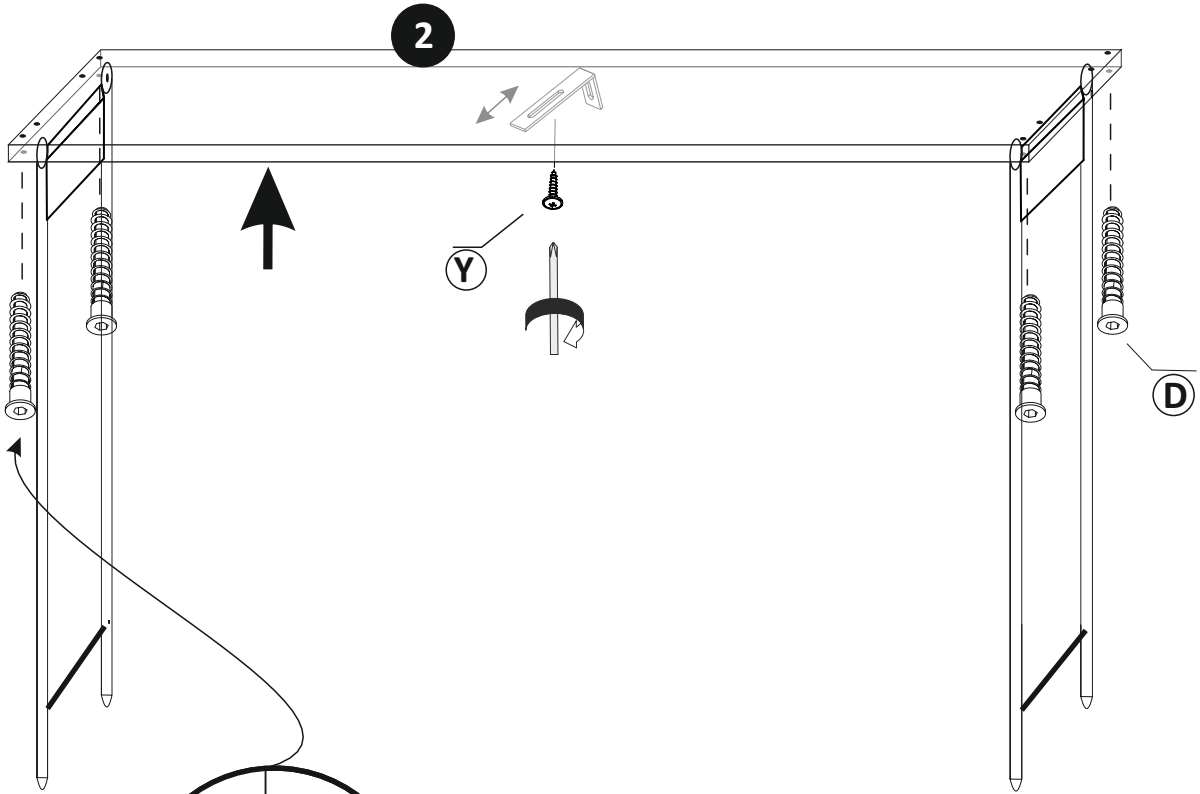
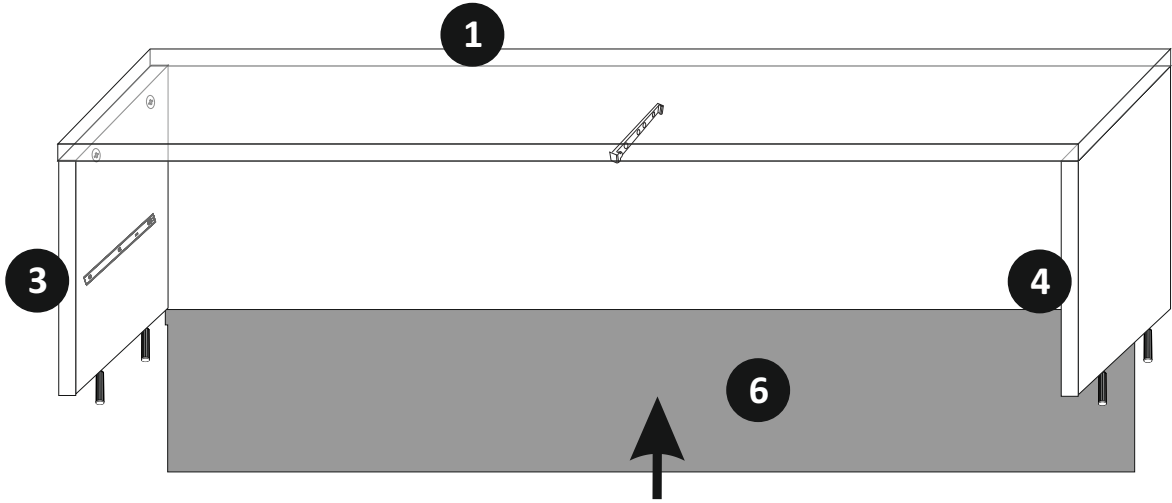
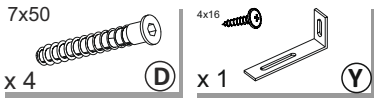
x4

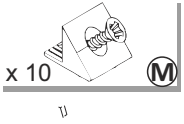






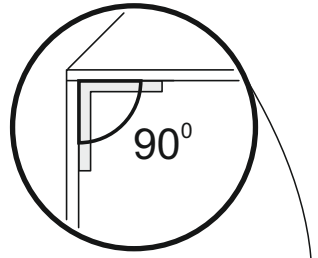




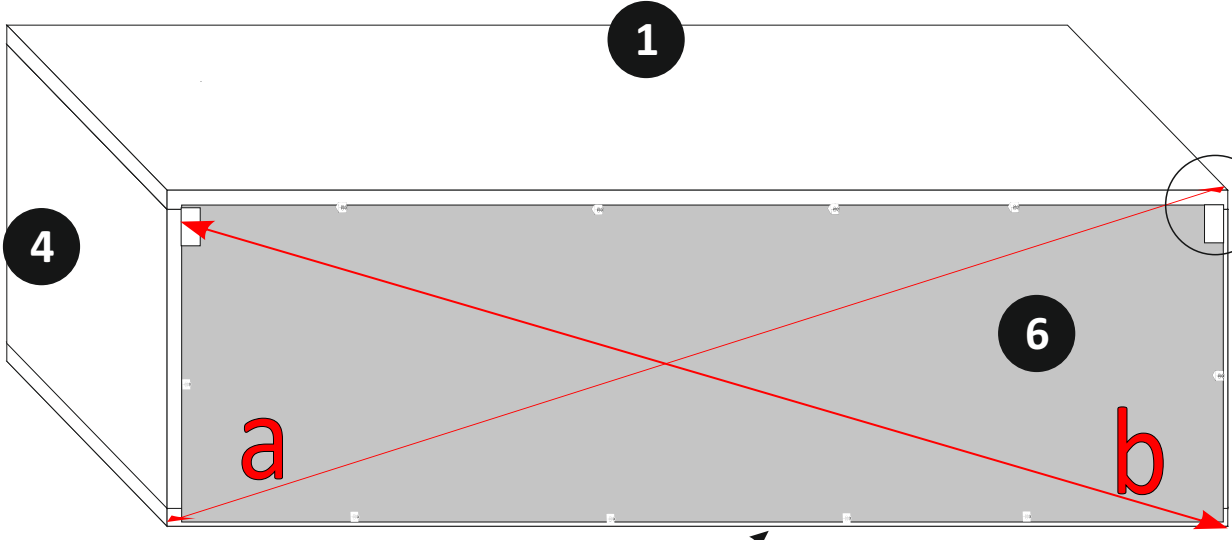


x 10

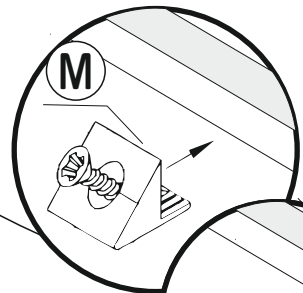
M



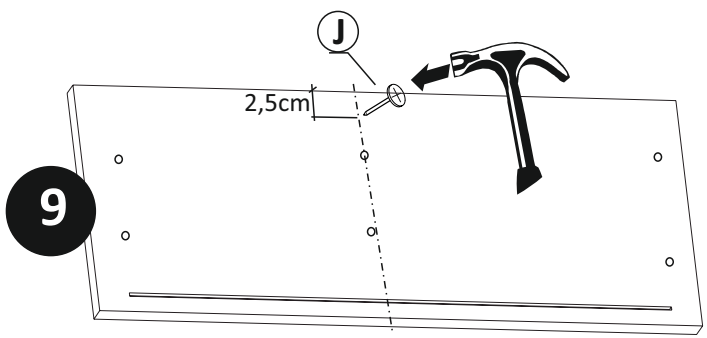
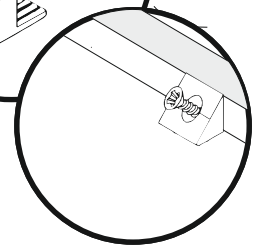
90°



a = b



M



2,5cm

J

9

