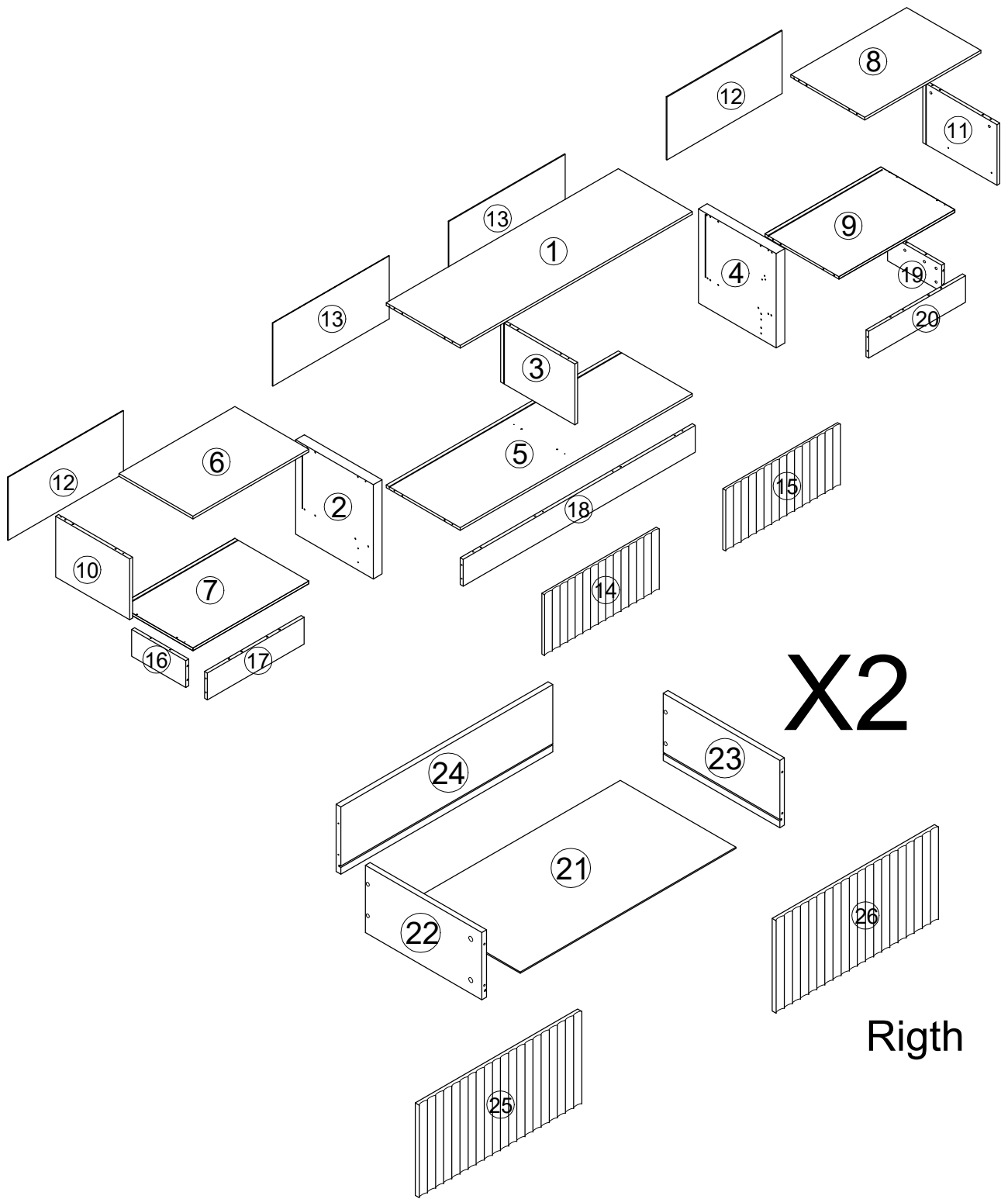


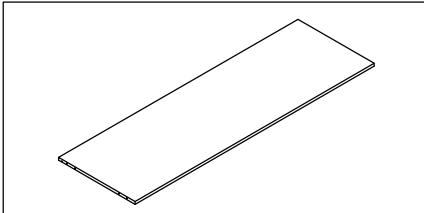
Installation instruction



X2

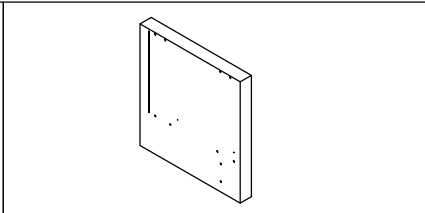
Righth

Lift



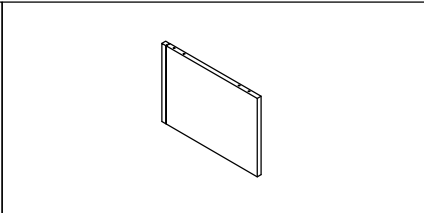
①

1pcs



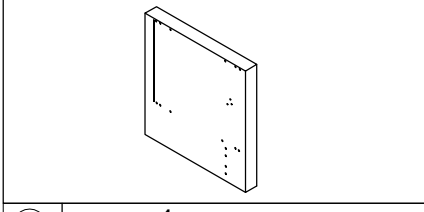
②

1pcs



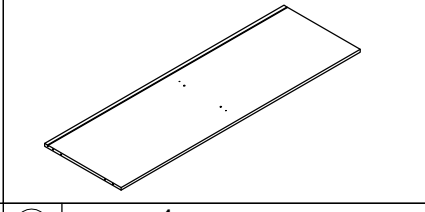
③

1pcs



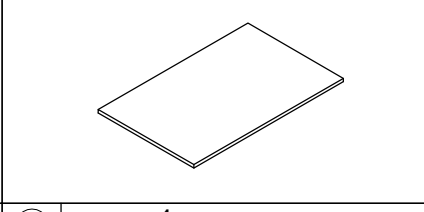
④

1pcs



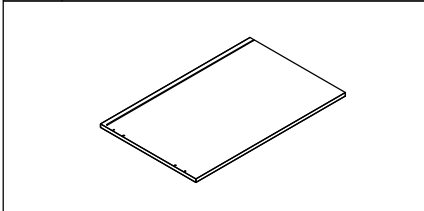
⑤

1pcs



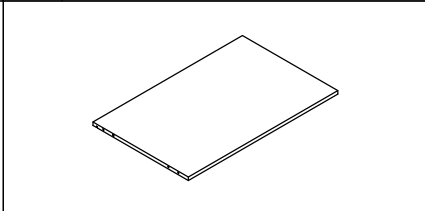
⑥

1pcs



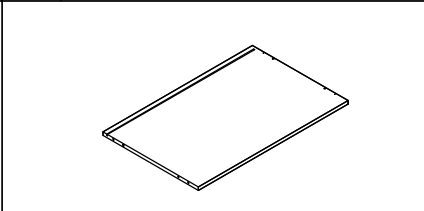
⑦

1pcs



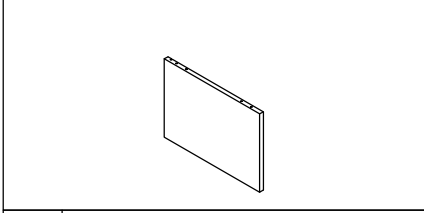
⑧

1pcs



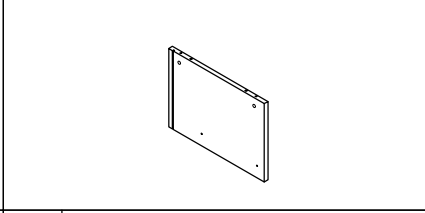
⑨

1pcs



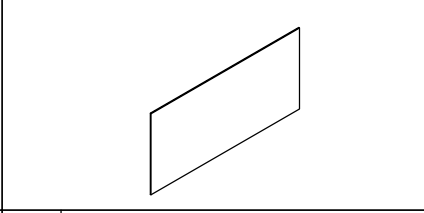
⑩

1pcs



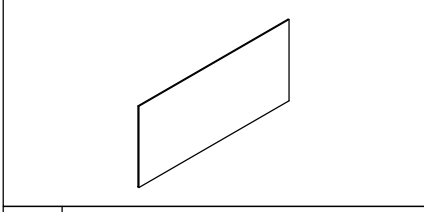
⑪

1pcs



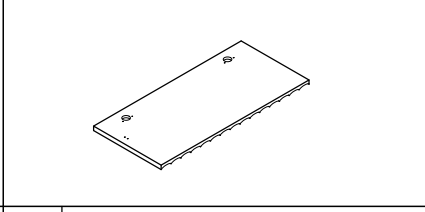
⑫

2pcs



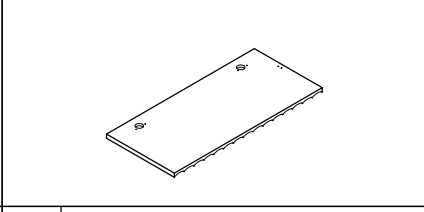
⑬

2pcs



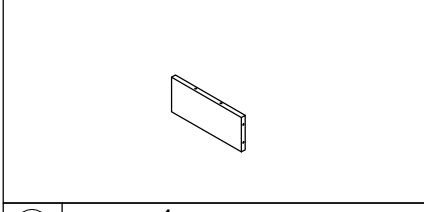
⑭

1pcs



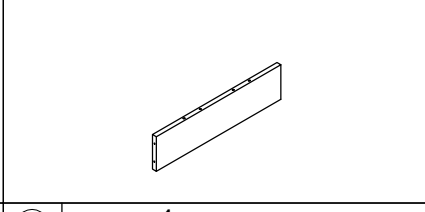
⑮

1pcs



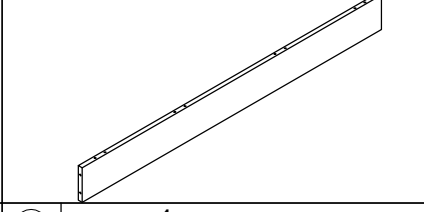
⑯

1pcs



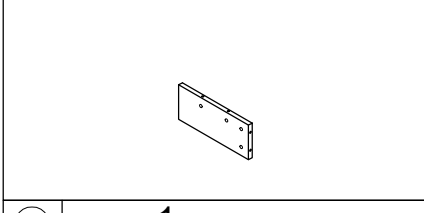
⑰

1pcs



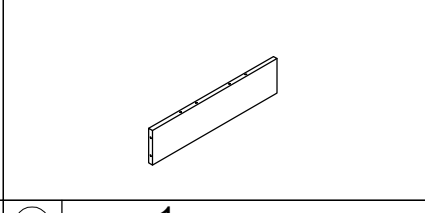
⑱

1pcs



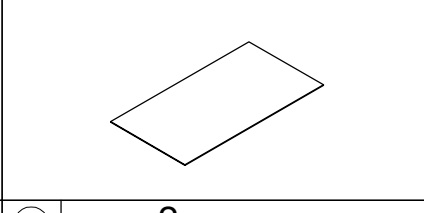
⑲

1pcs



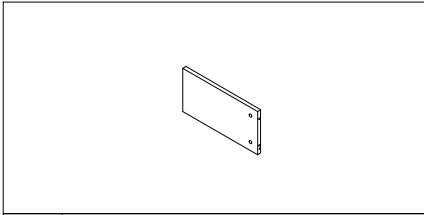
⑳

1pcs



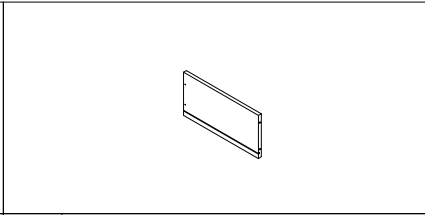
㉑

2pcs



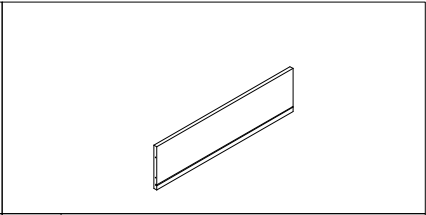
22

2pcs



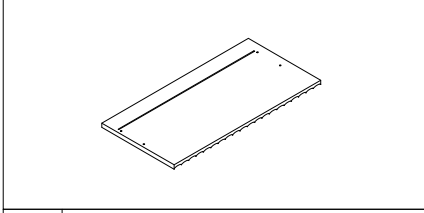
23

2pcs



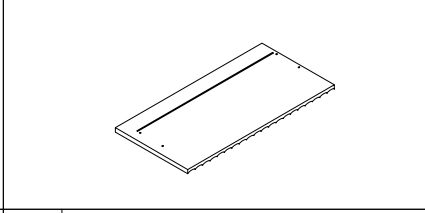
24

2pcs



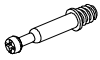


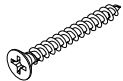


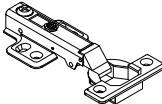


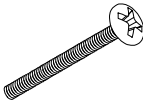


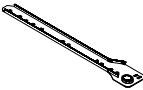
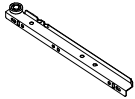
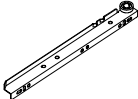
25

1pcs



26

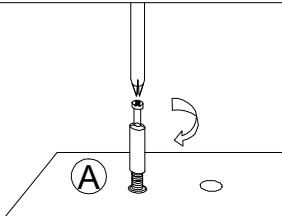
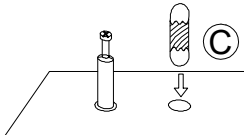
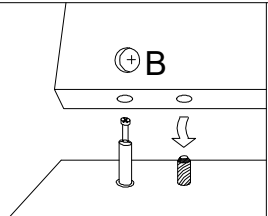
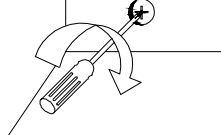
1pcs

	 Cam bolt	 Cam Lock	 6x30mm Wood dowel	 4x40mm			
A	42+2pcs	B	42+2pcs	C	36+2pcs	D	6pcs
	 4x30mm	 3.5x12mm		 3x16mm screw			
E	8pcs	F	50+2pcs	G	4pcs	H	16pcs
		 6x75mm		 300mm			
I	2pcs	J	12pcs	K	12pcs	CL	2pcs
	 300mm	 300mm	 300mm				
CR	2pcs	DL	2pcs	DR	2pcs		

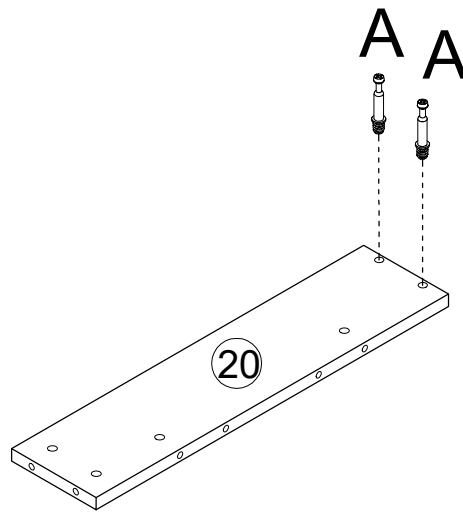
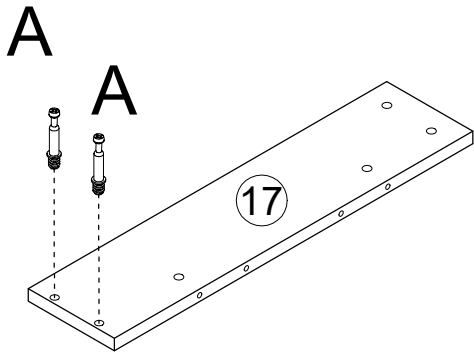


SPARE BAG

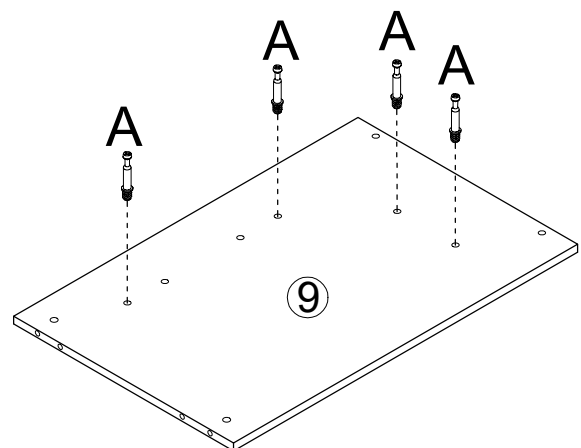
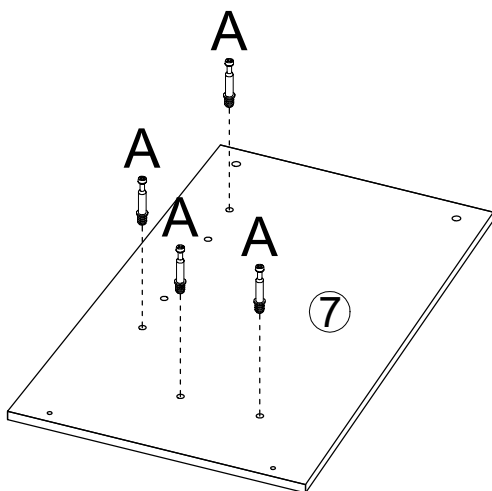
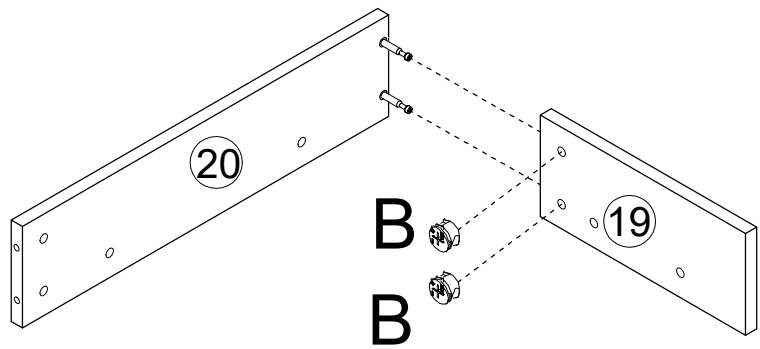
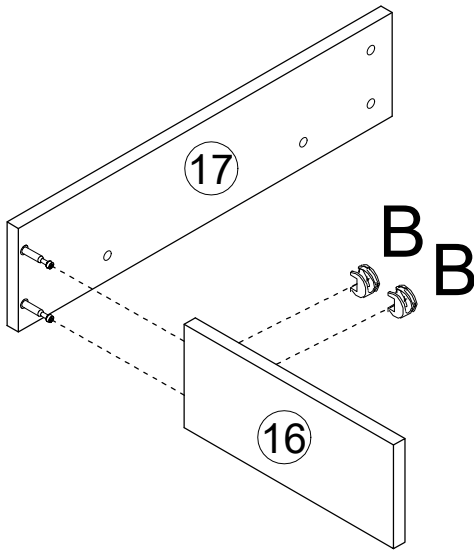
THE SPARE BAG INCLUDED EXTRA HARDWARE FOR DAMAGED OR MISSING SMALL HARDWARE WHILE YOU ARE ASSEMBLING

			
Gently screw cam bolt into the threaded anchor.	Insert the wood dowel halfway into hole.	Screw the camlock firmly into locked position.	

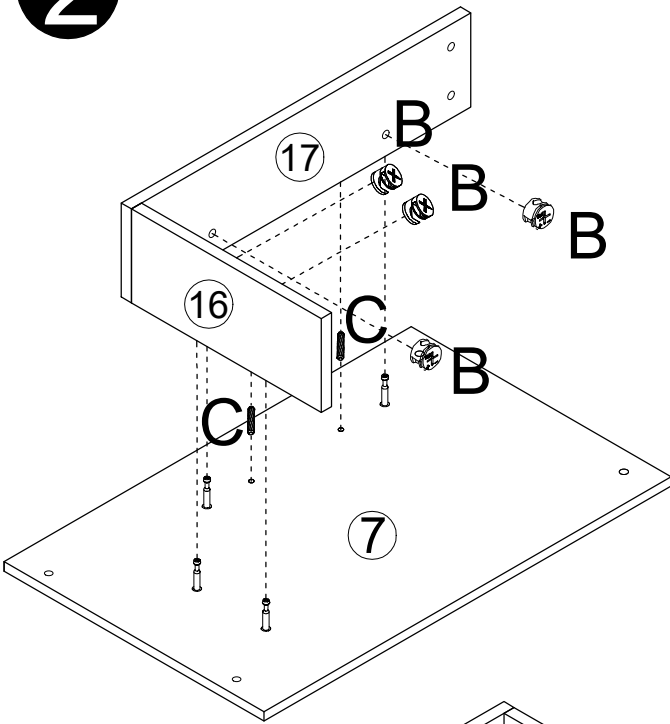
1



- A X12
- B X4



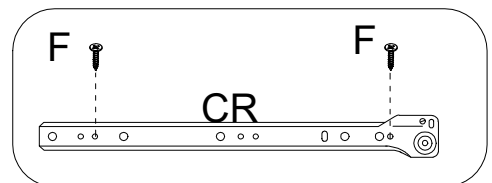
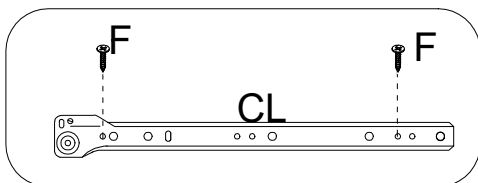
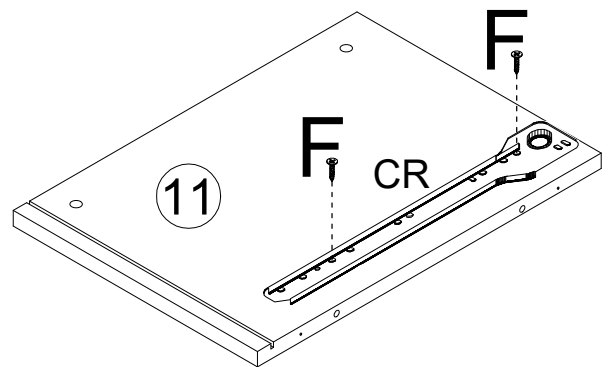
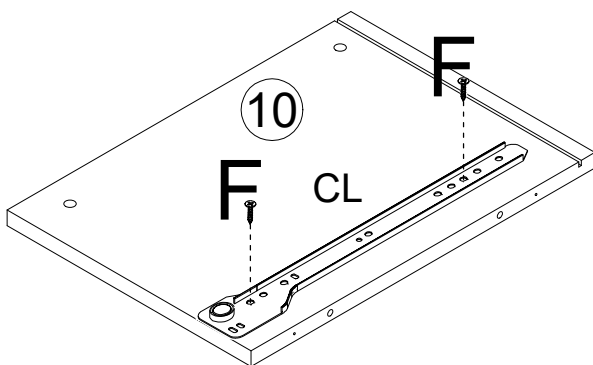
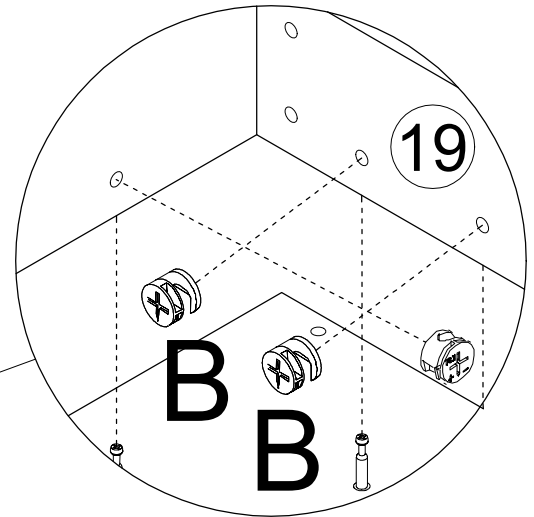
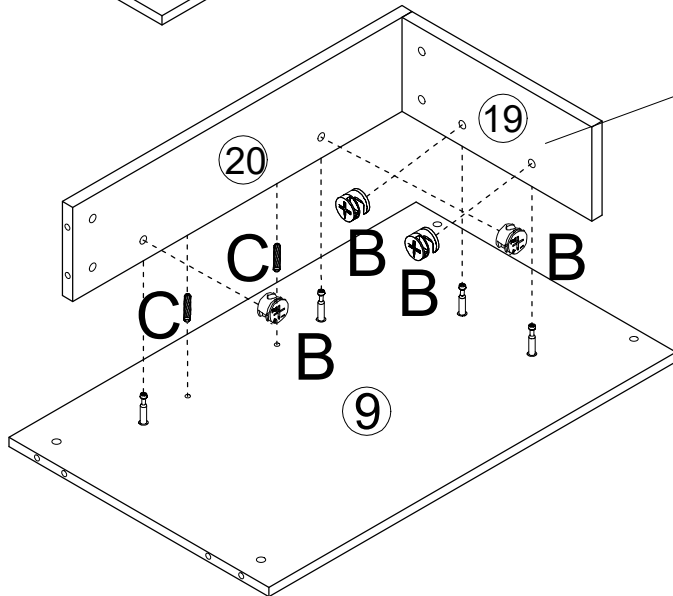
2






CR	X1	B	X8
CL	X1	C	X4
		F	X4

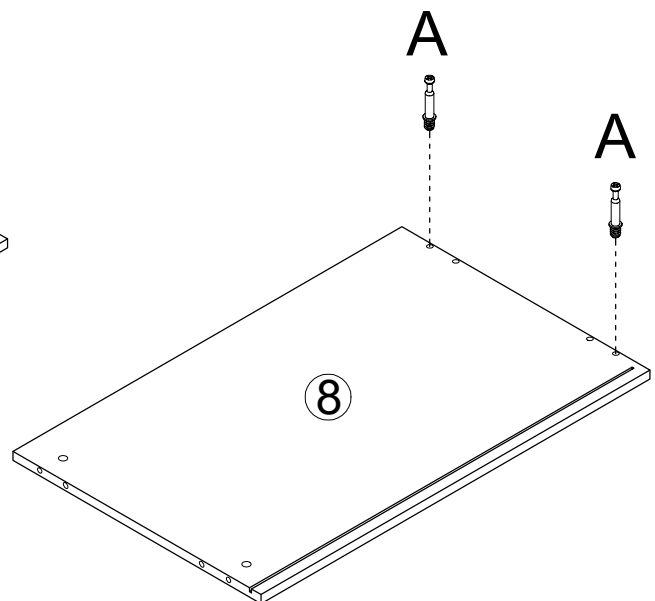
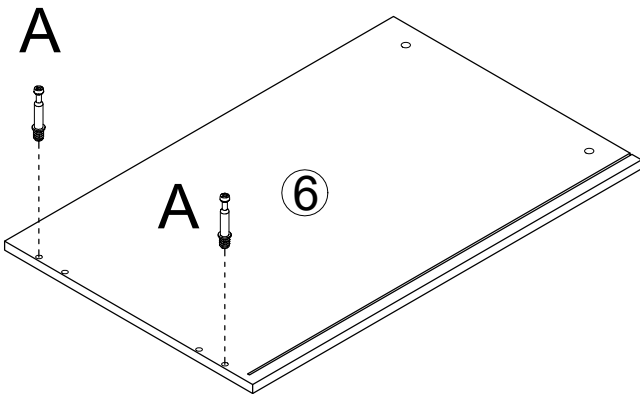
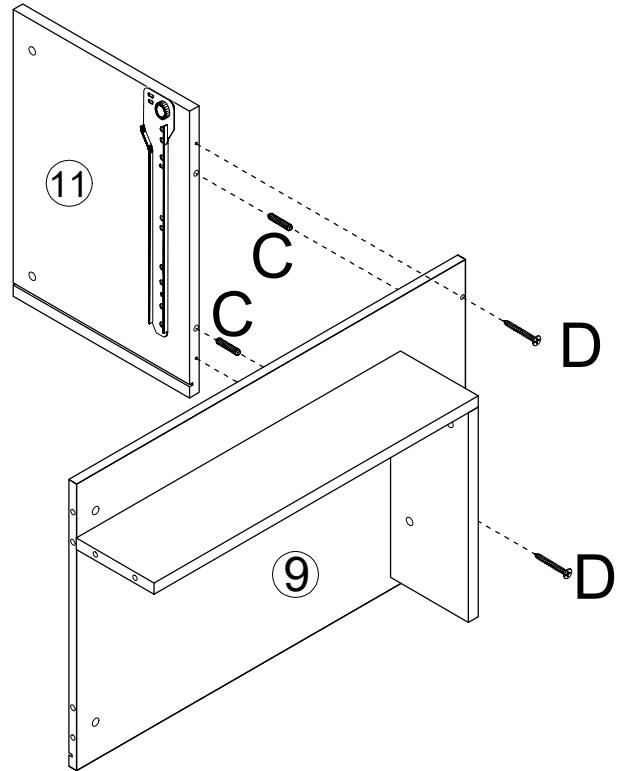
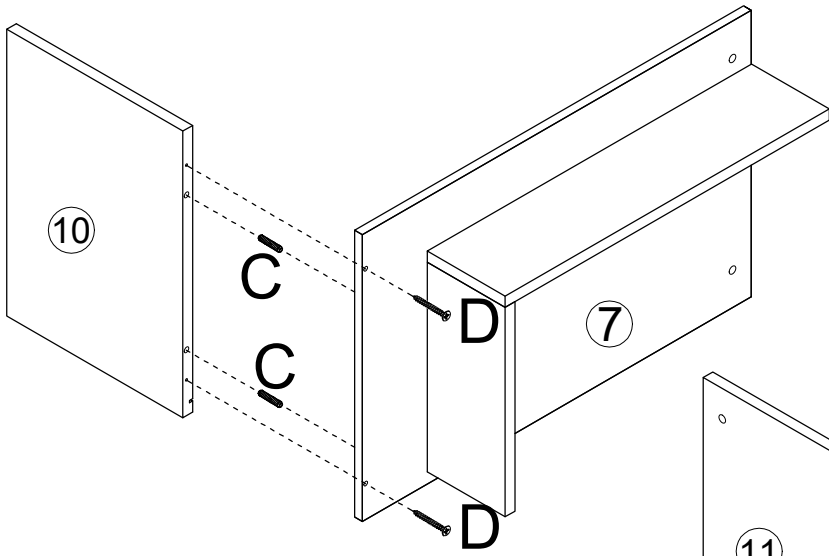
Parts list:

- CR X1
- CL X1
- B X8
- C X4
- F X4



3

- A X4 
- C X4 
- D X4 

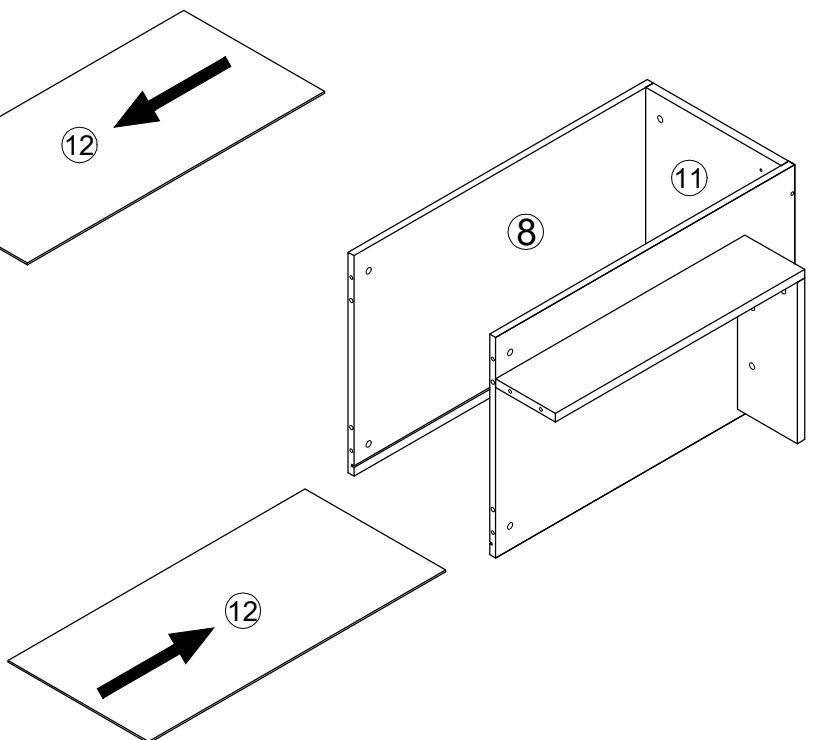
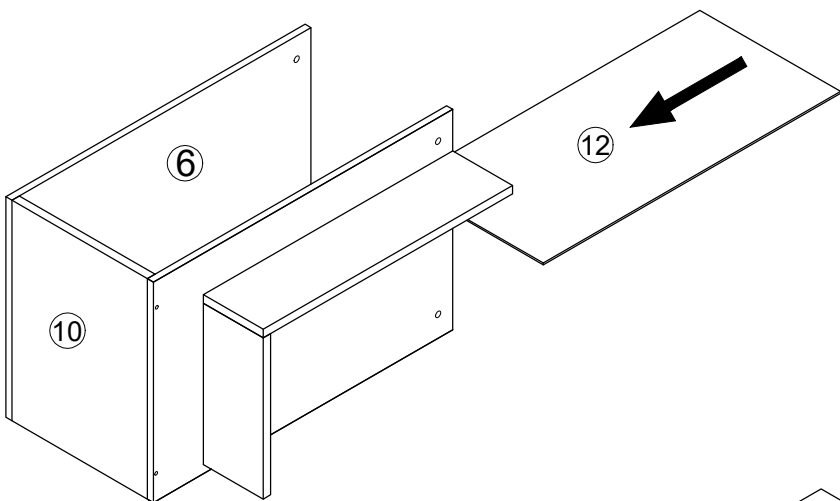
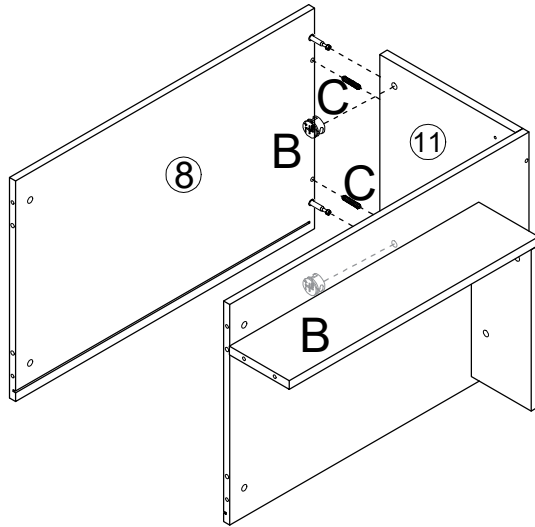
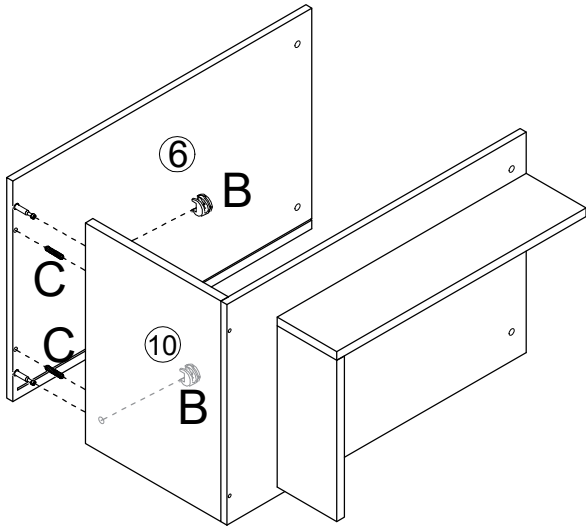


4

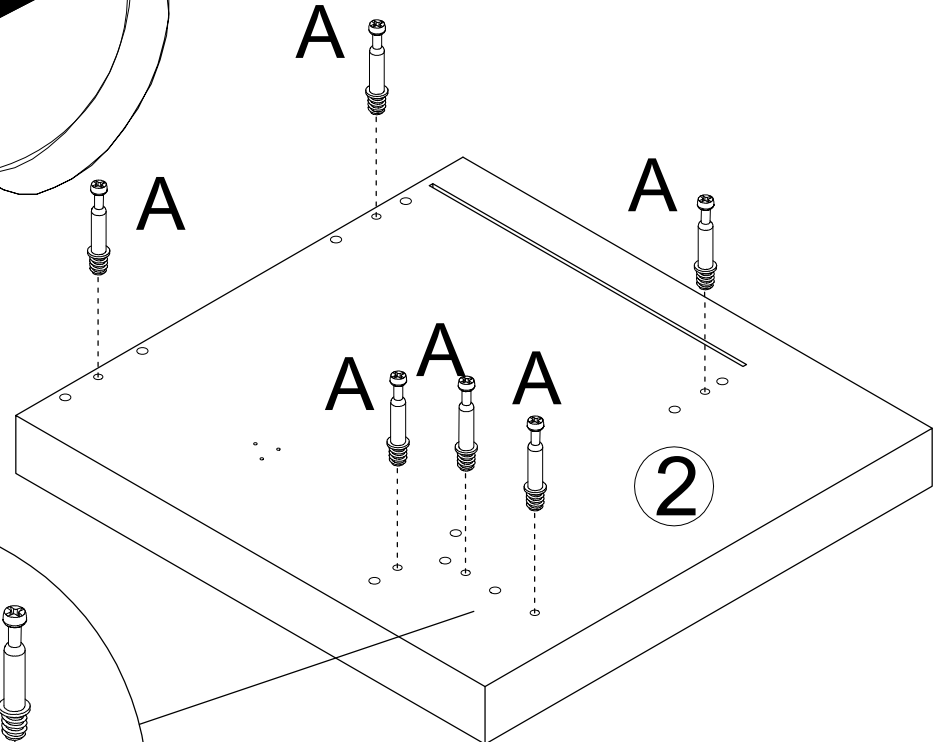
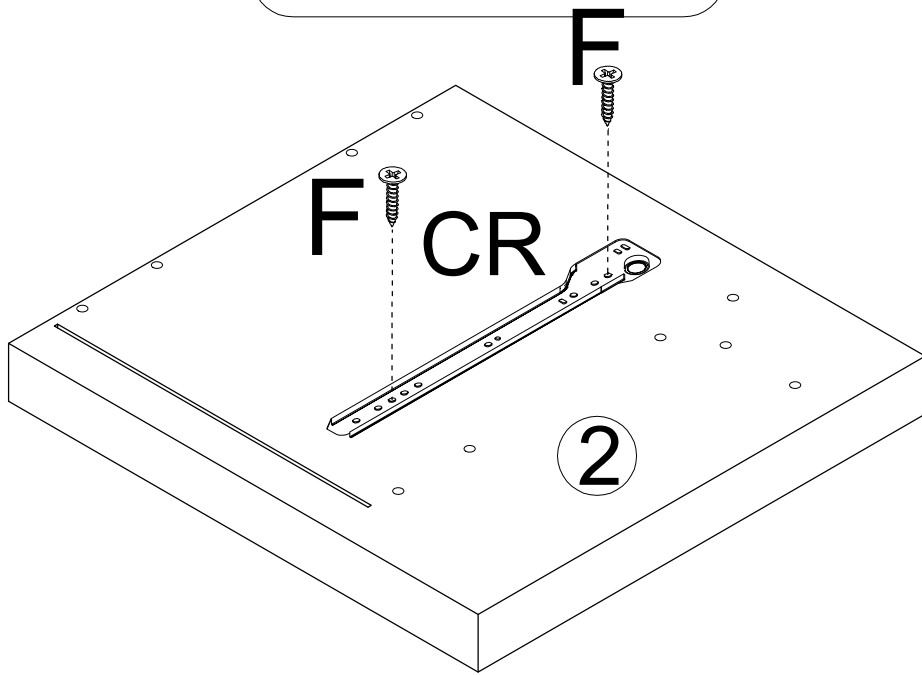
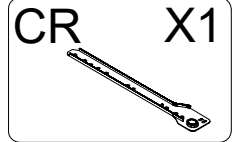
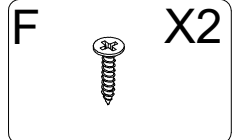
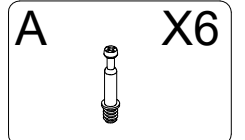
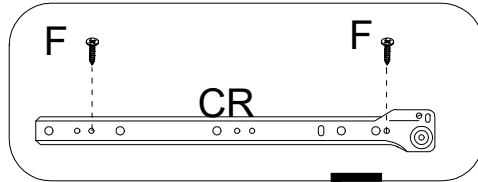
B X4



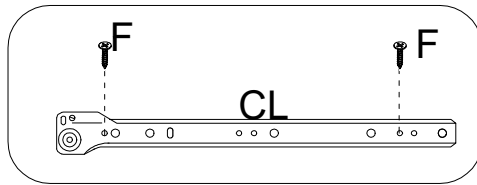
C X4



5



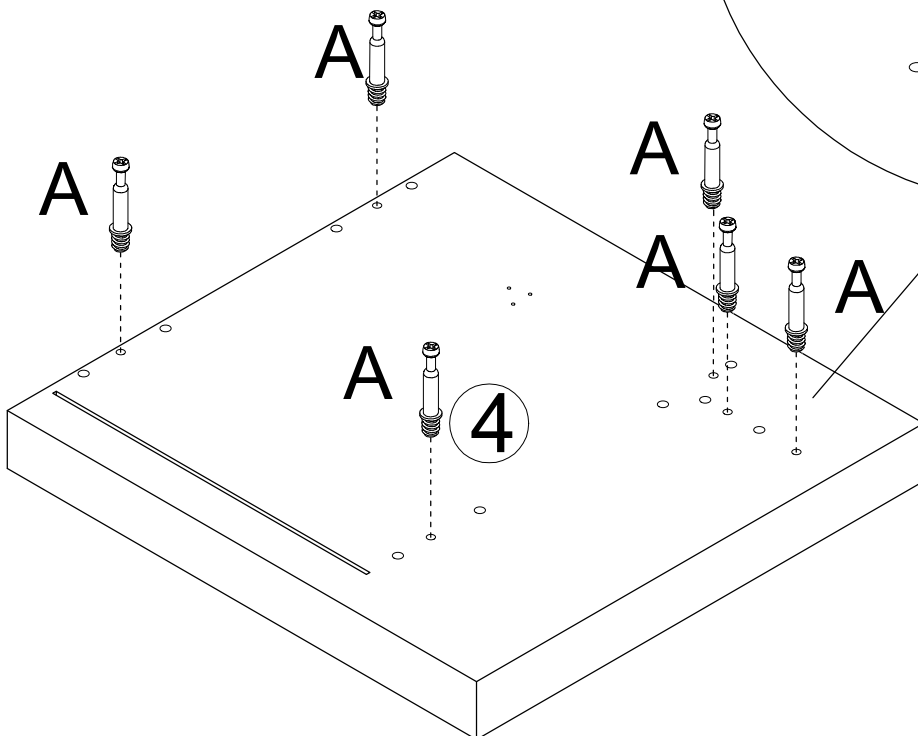
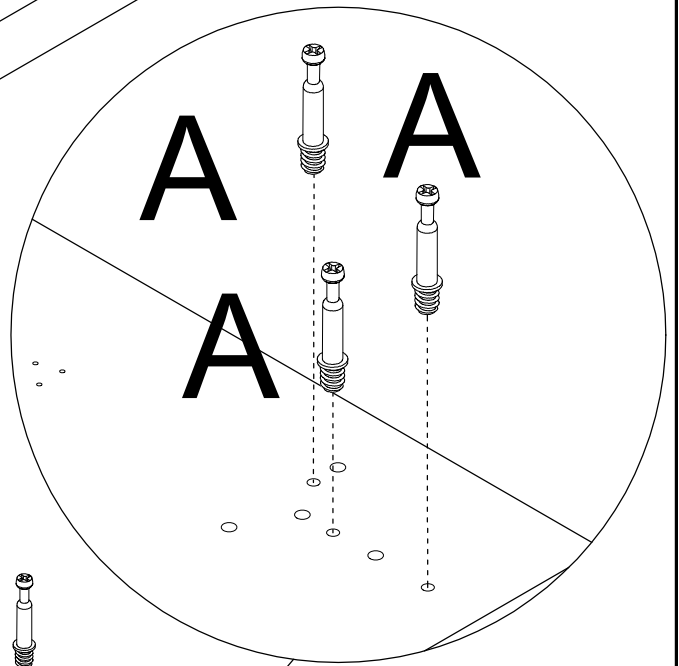
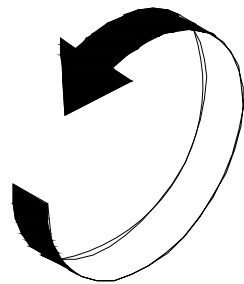
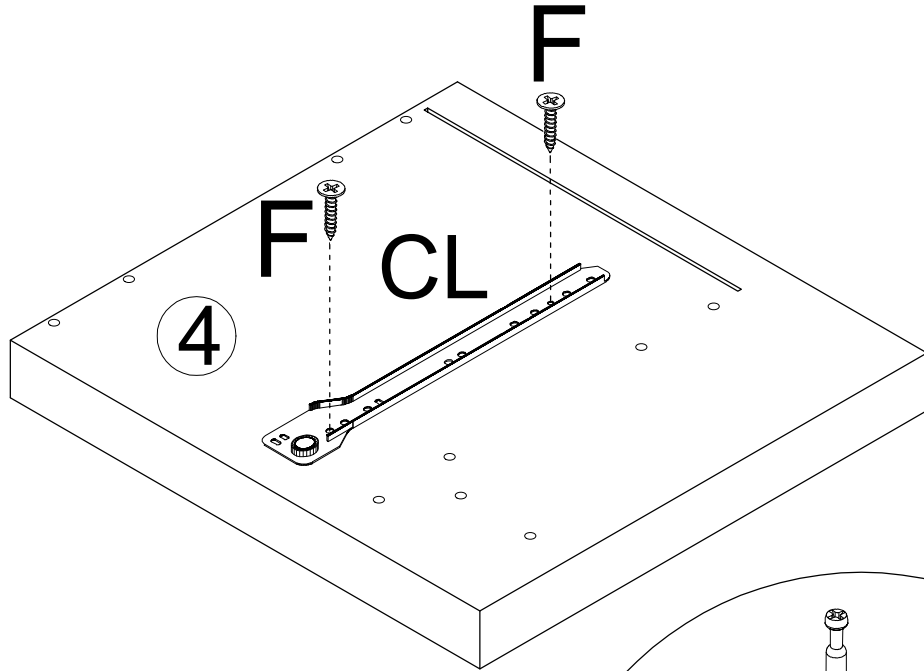
6



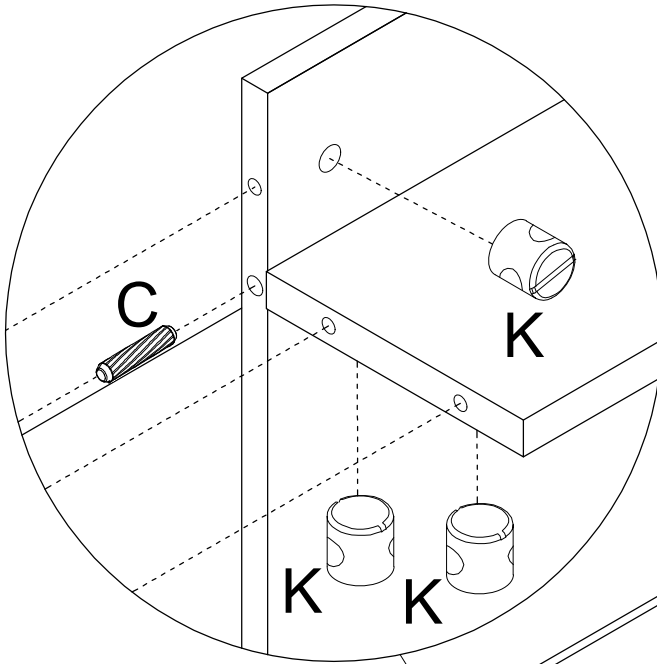
A X6

F X2

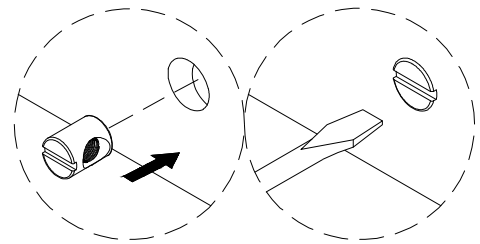
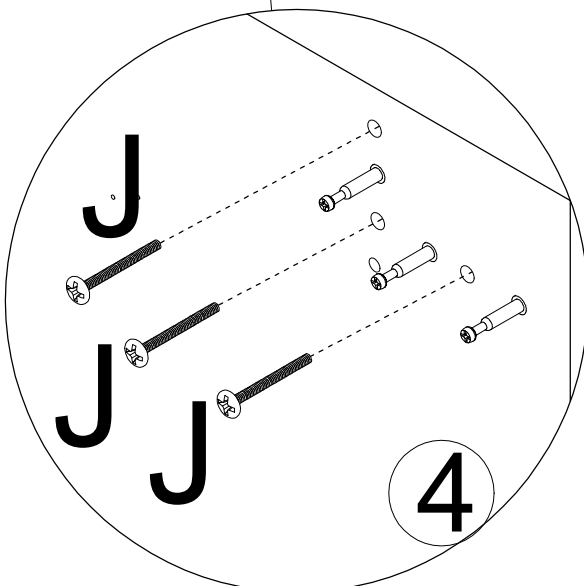
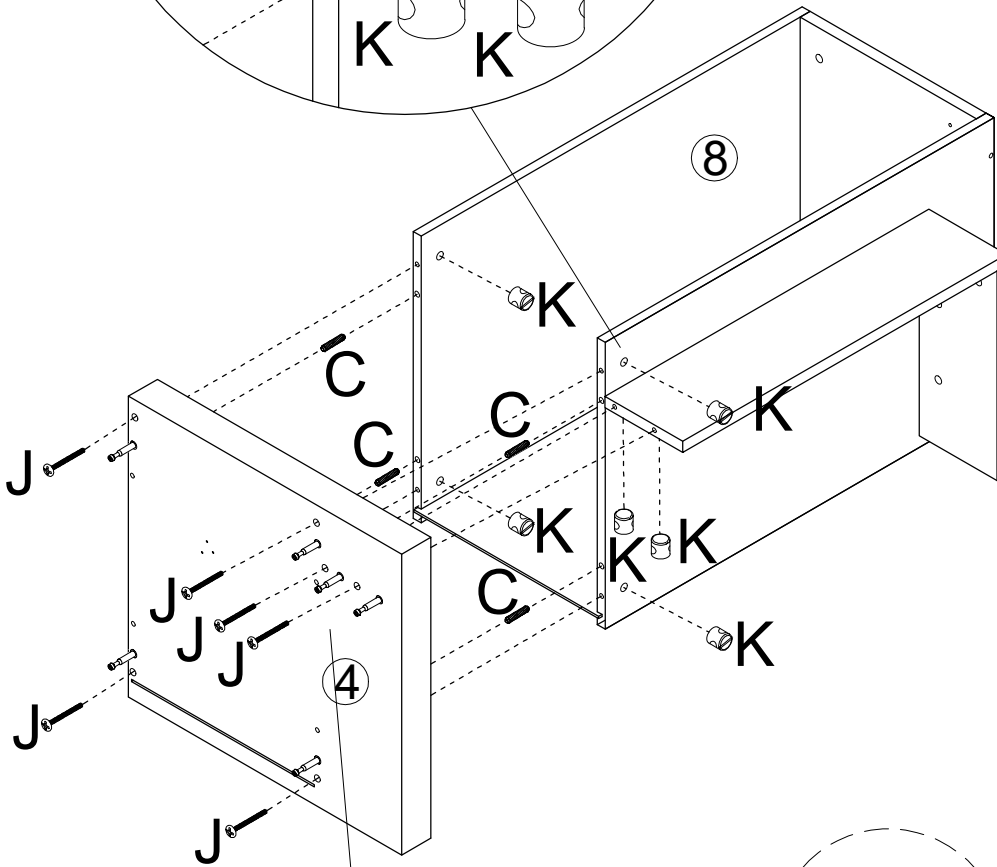
CL X1



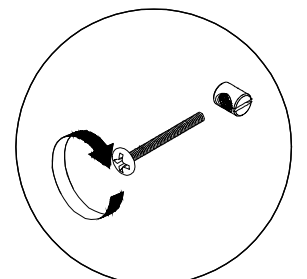
7



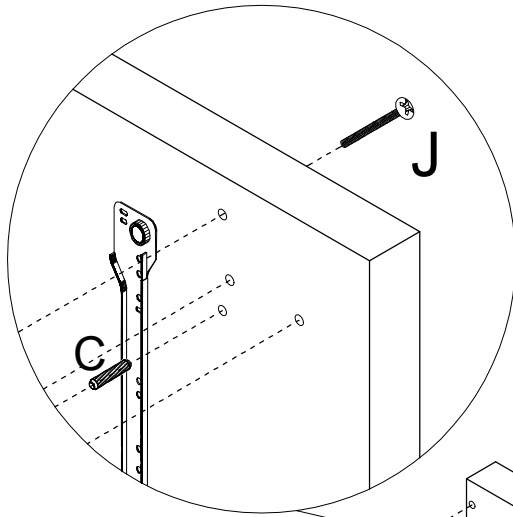
- C X4
- J X6
- K X6



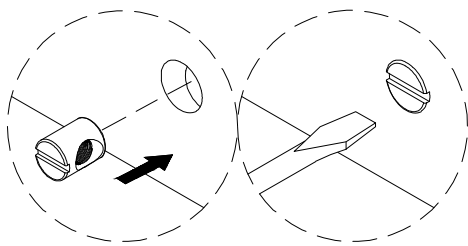
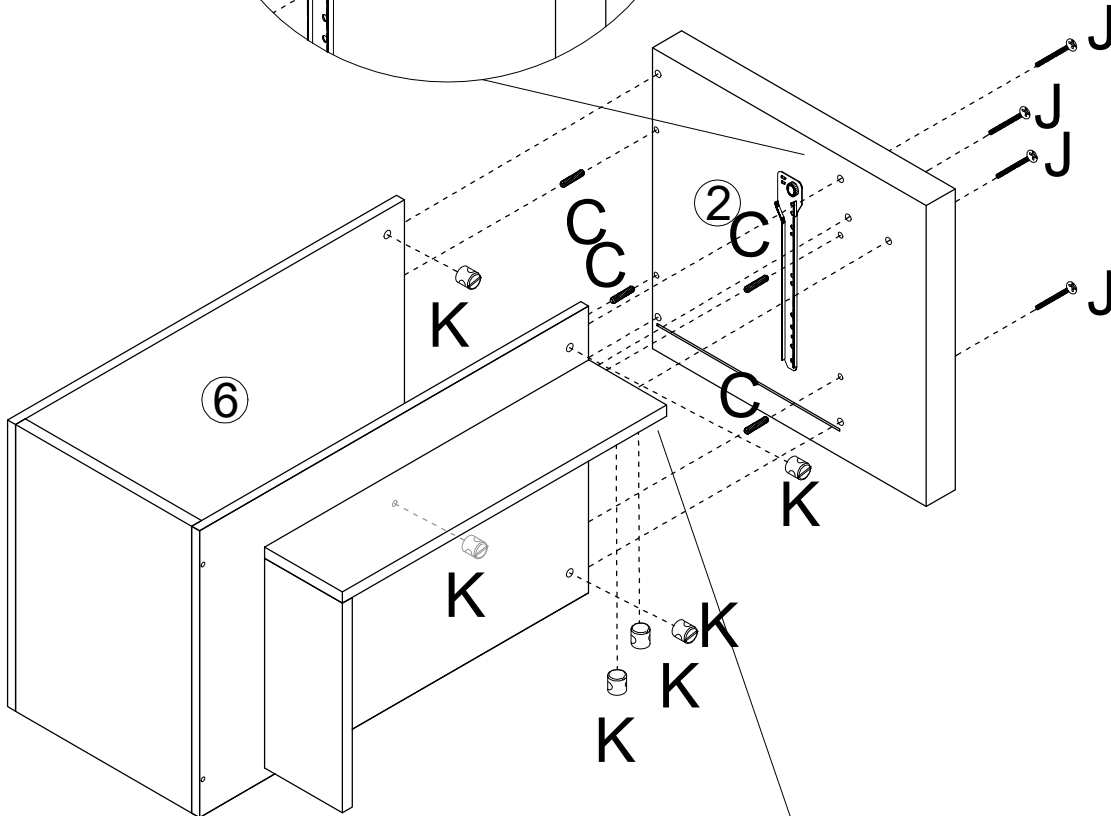
Please kindly keep the screw direction
(Allthesesteps)



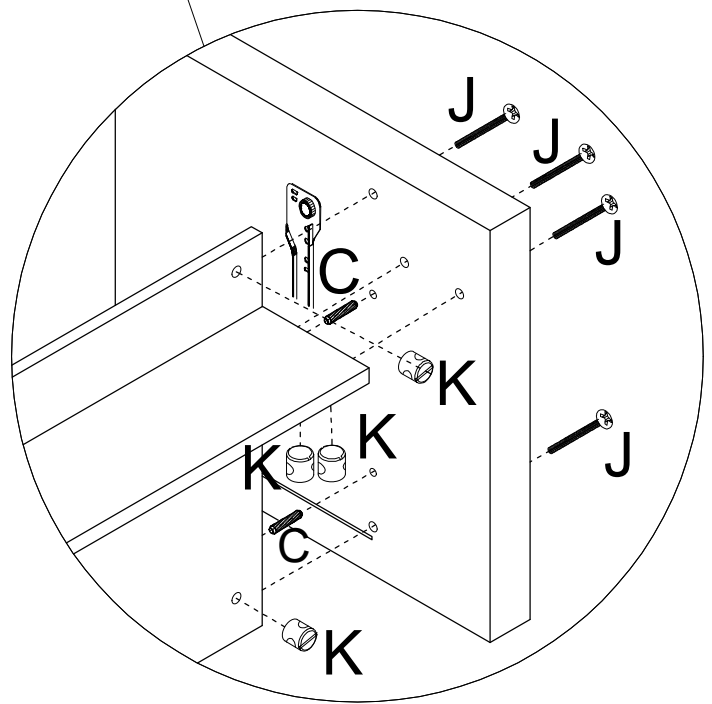
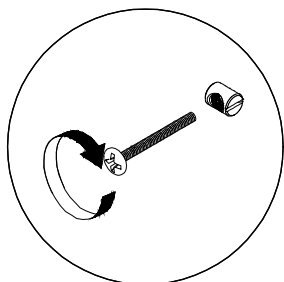
8



- C X4
- J X6
- K X6

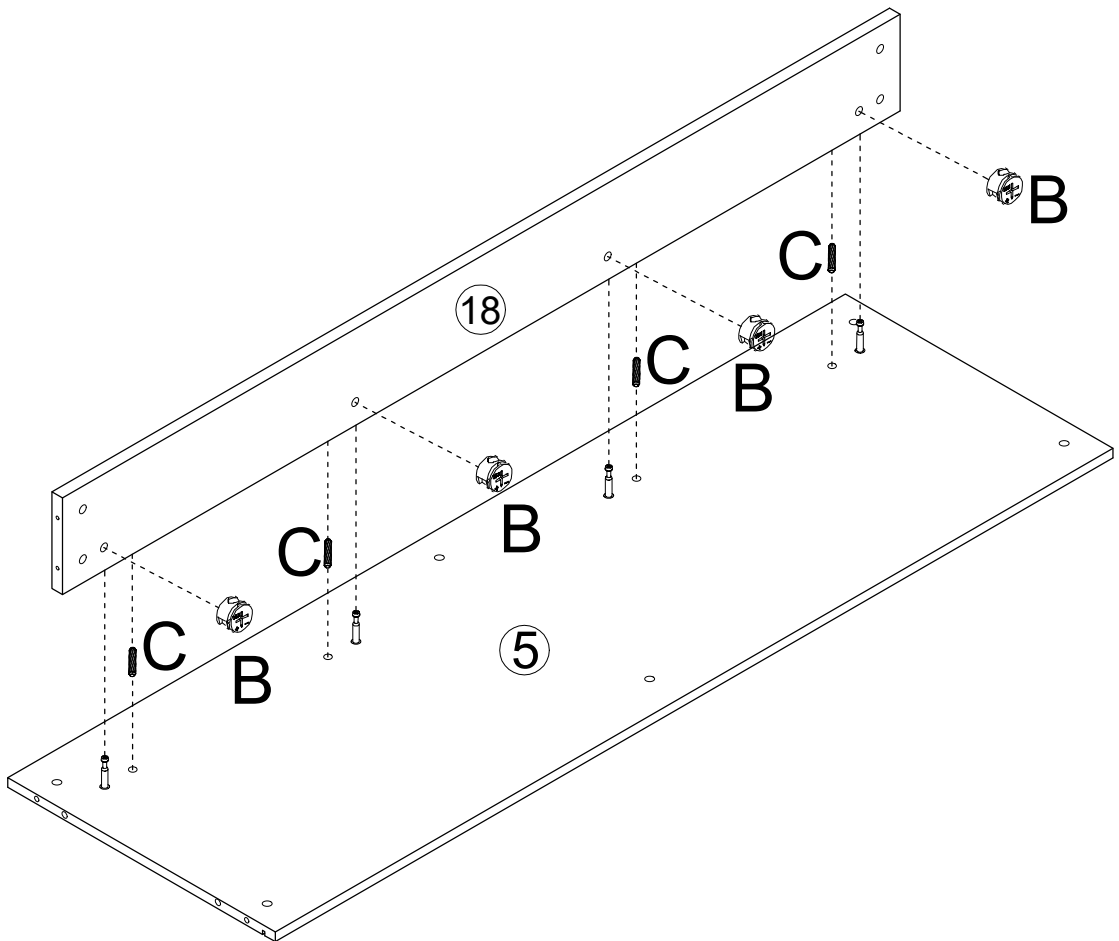
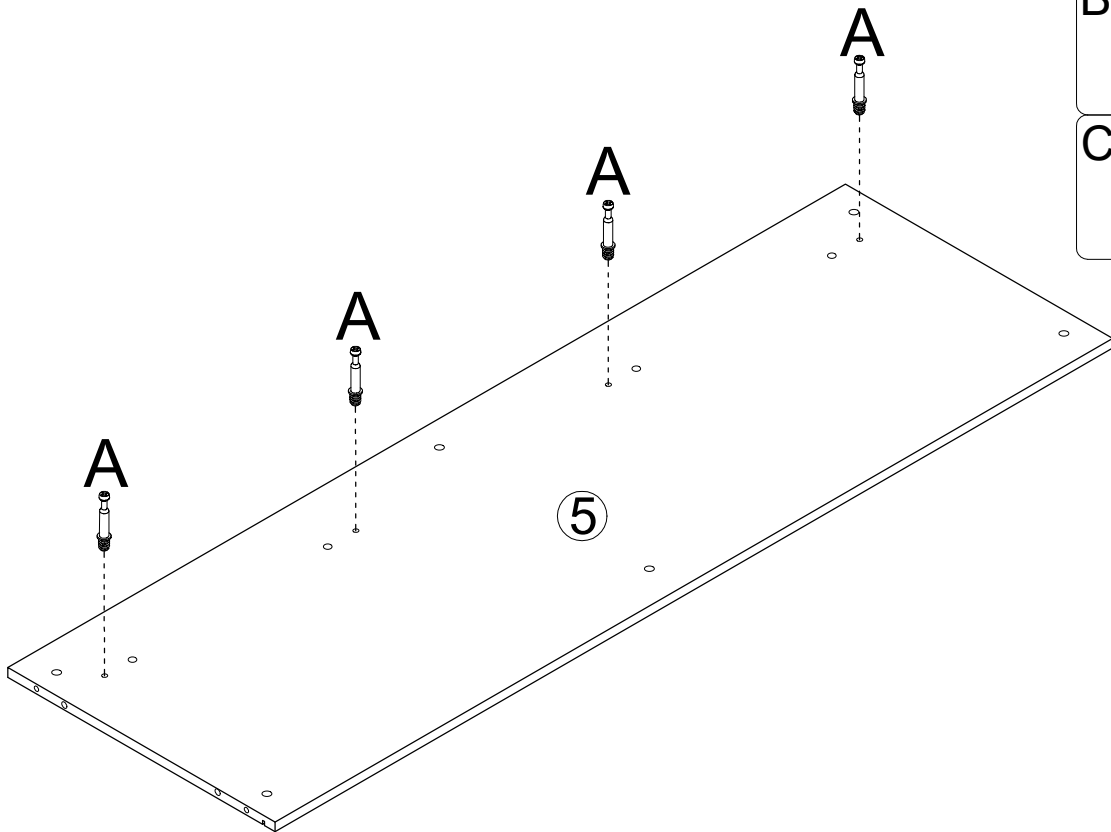


Please kindly keep the screw direction
(All these steps)


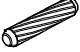



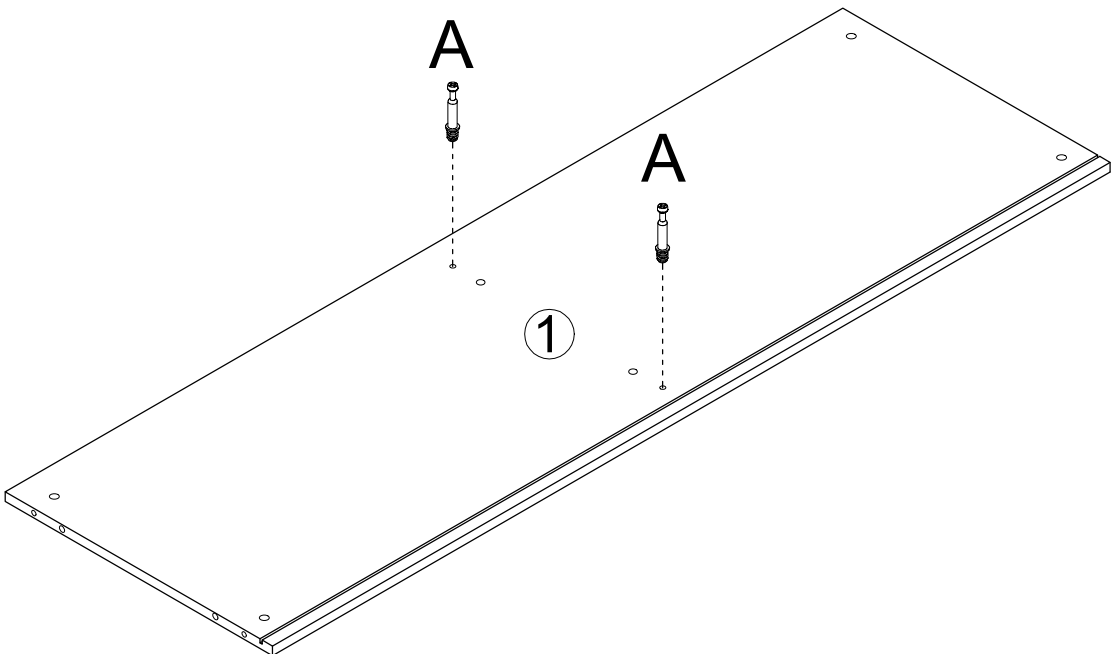
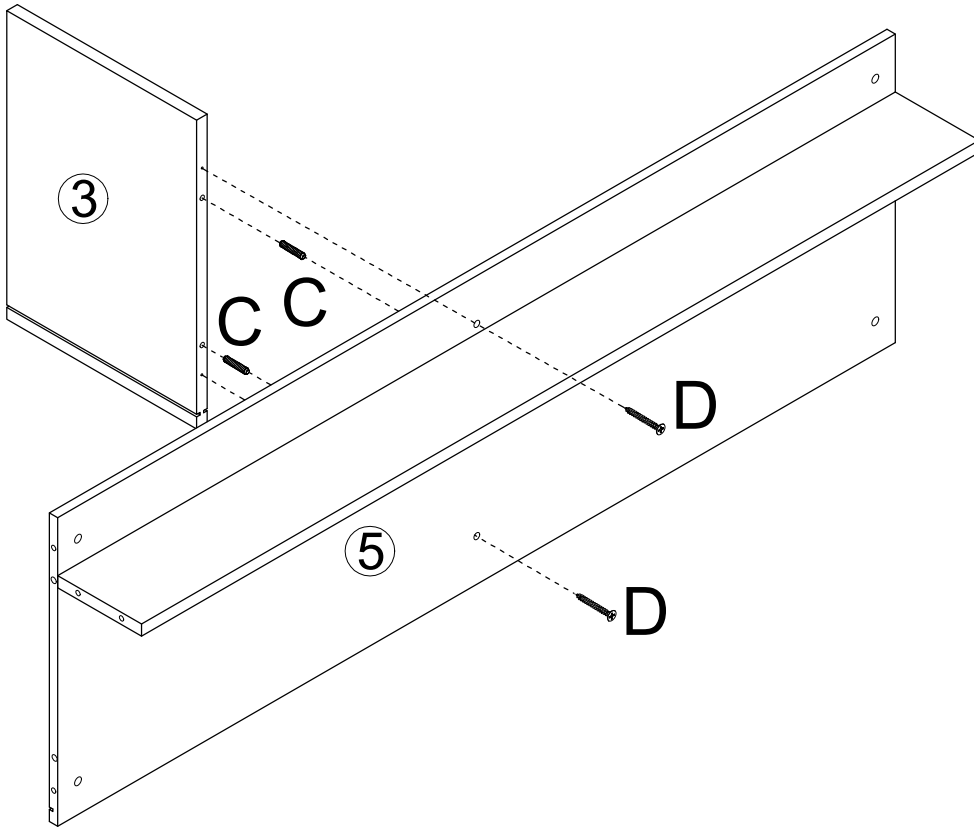
9

- A X4
- B X4
- C X4



10

- A X2 
- C X2 
- D X2 

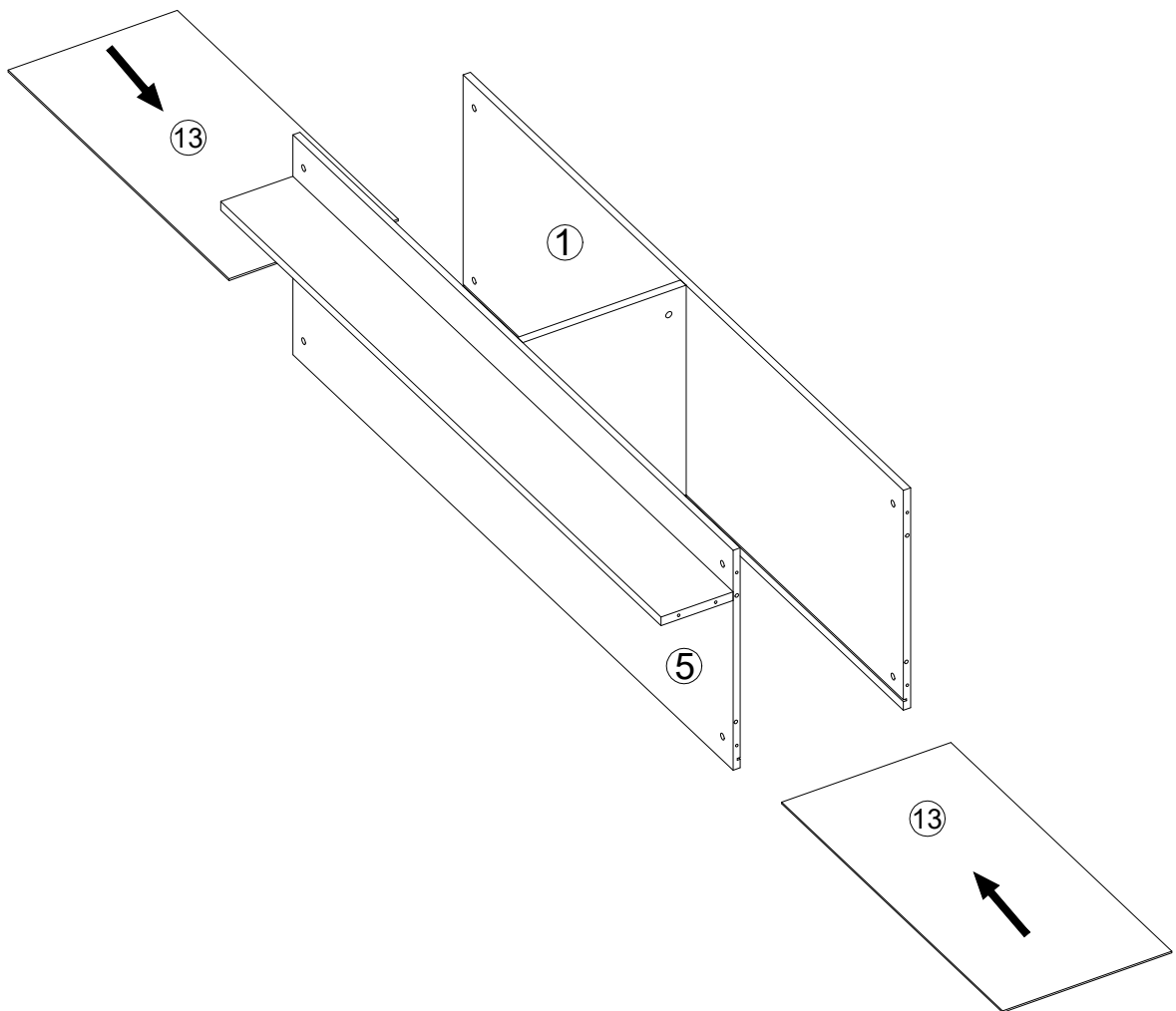
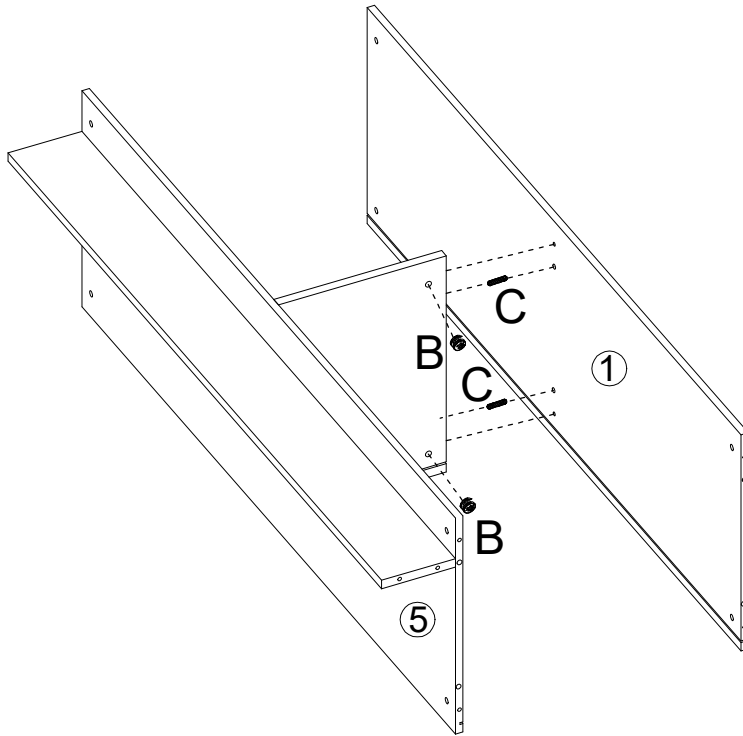


11

B X2

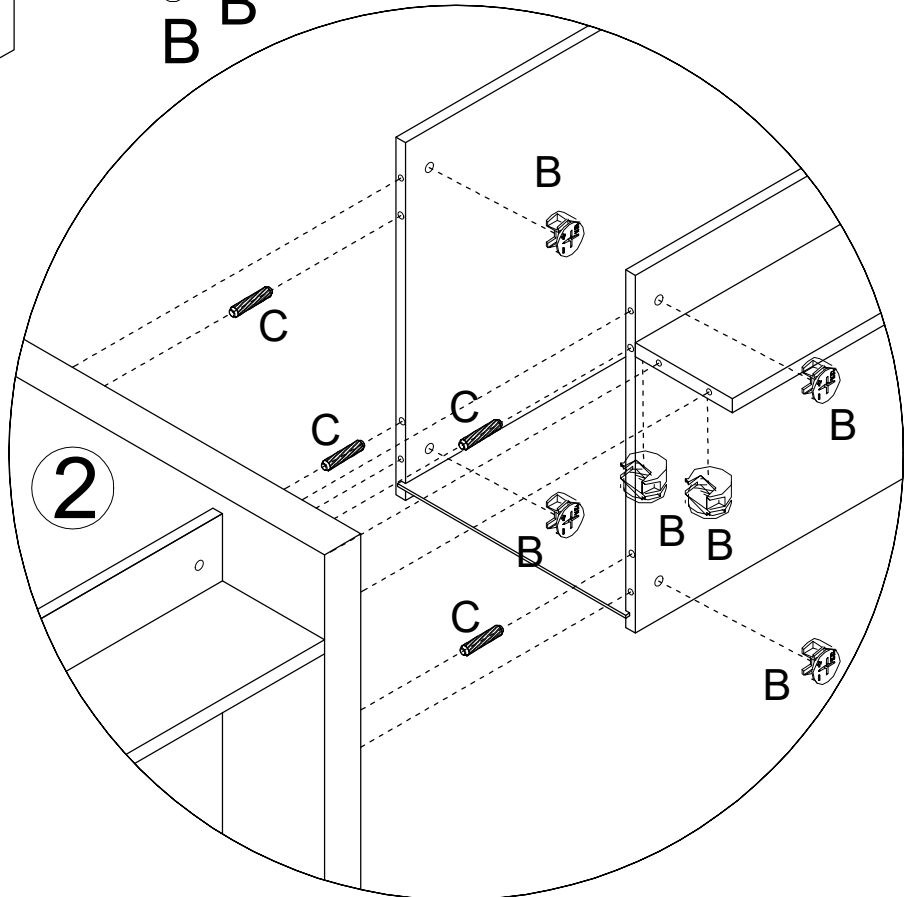
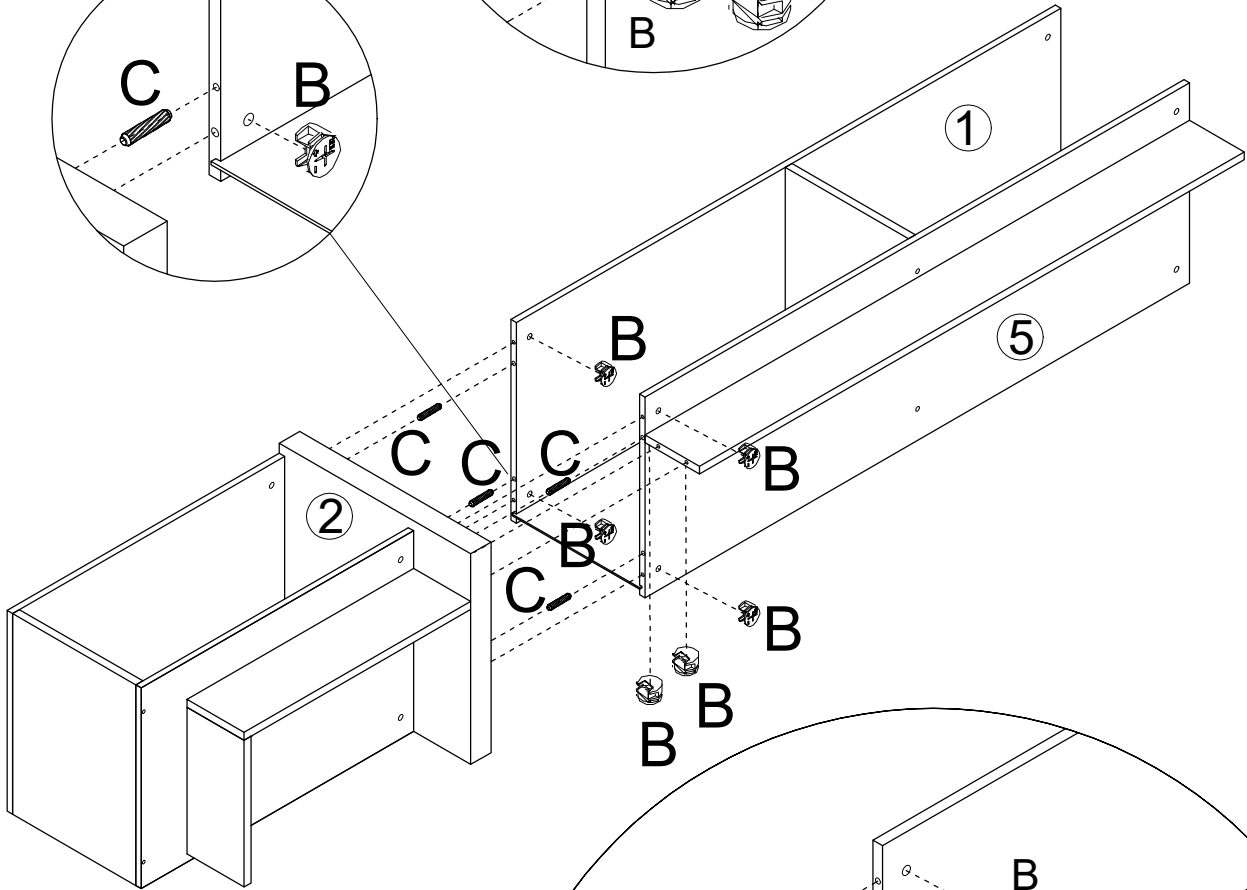
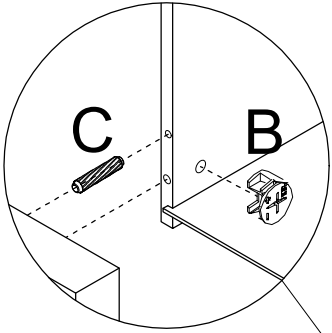
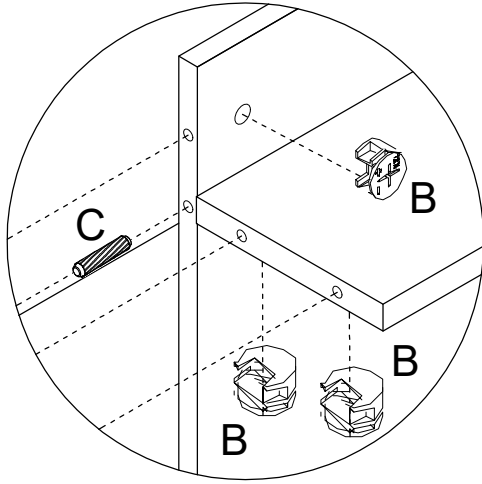


C X2

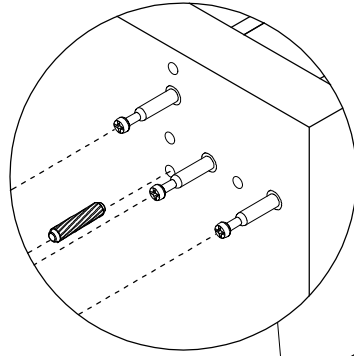
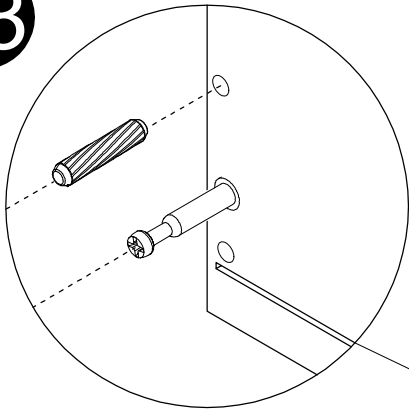


12

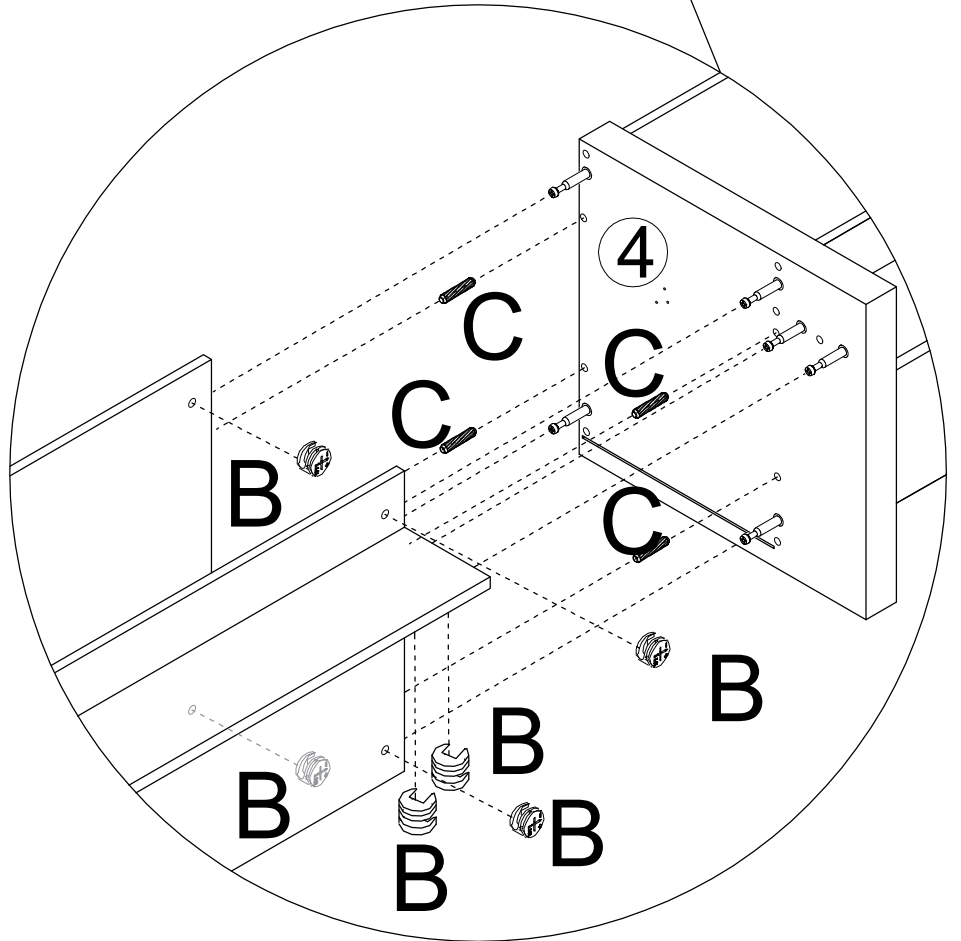
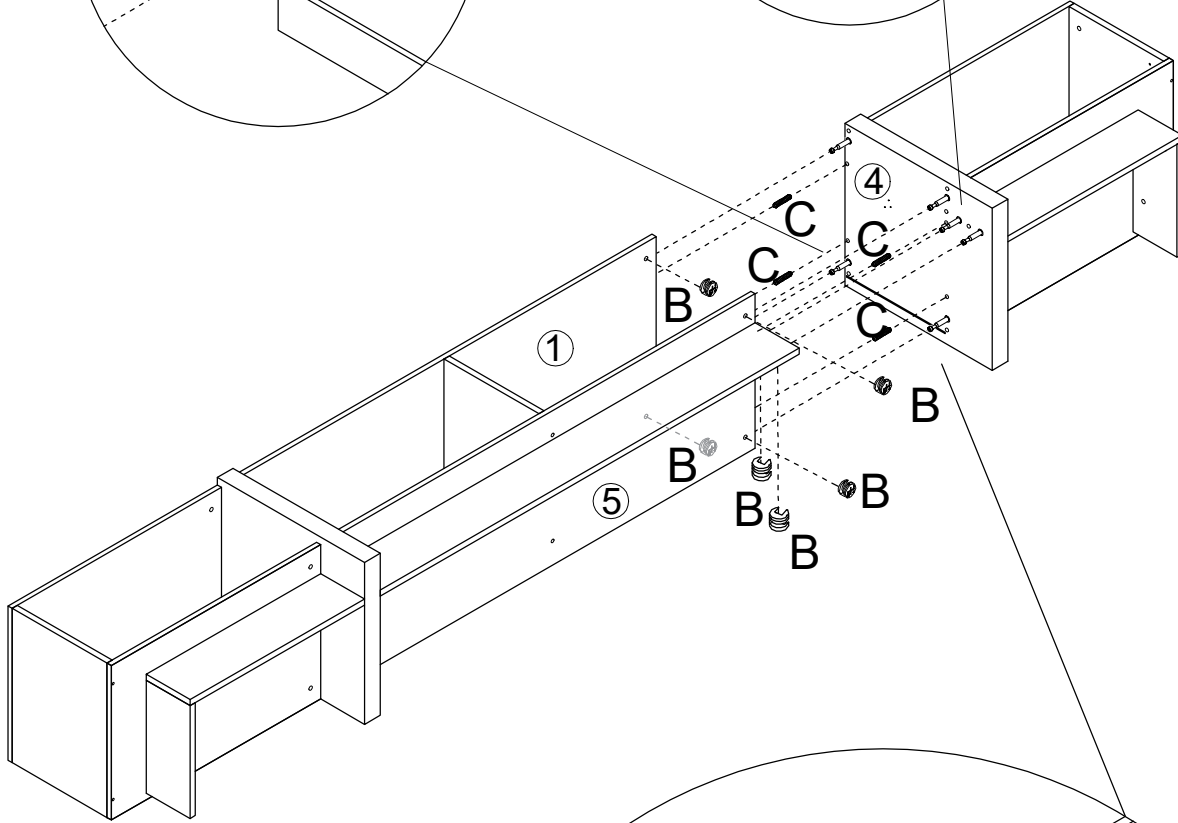
- B X6
- C X4



13

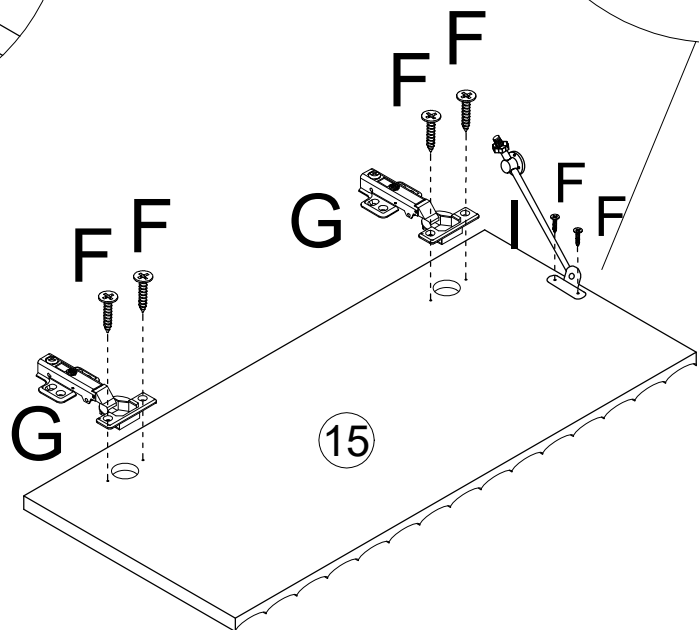
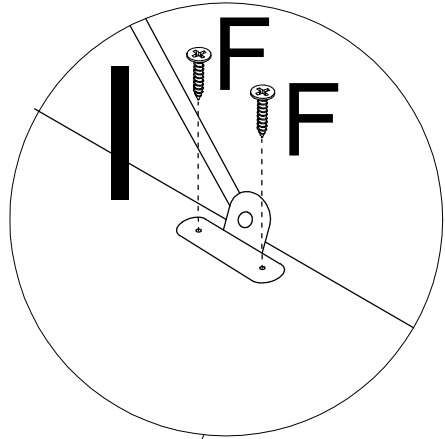
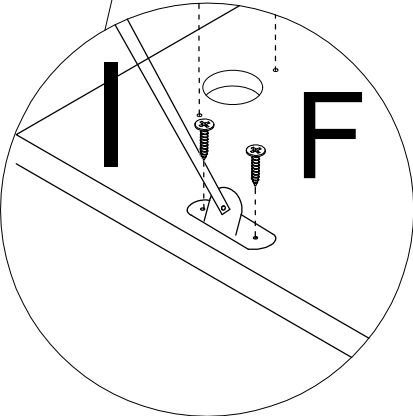
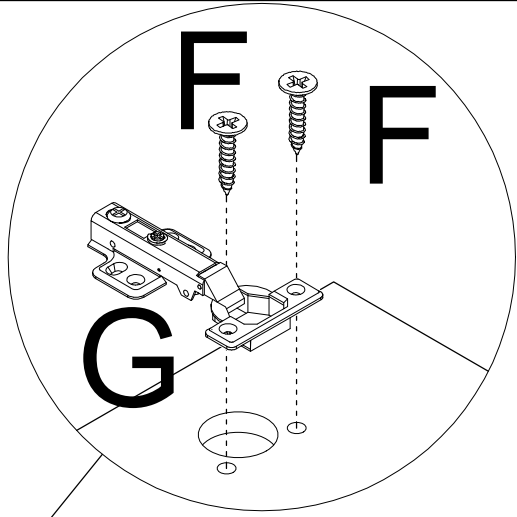
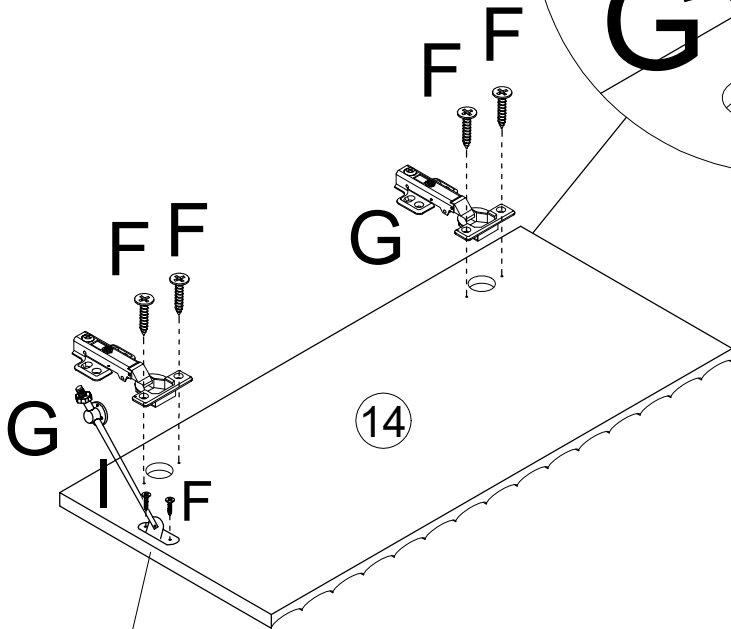


- B X6
- C X4



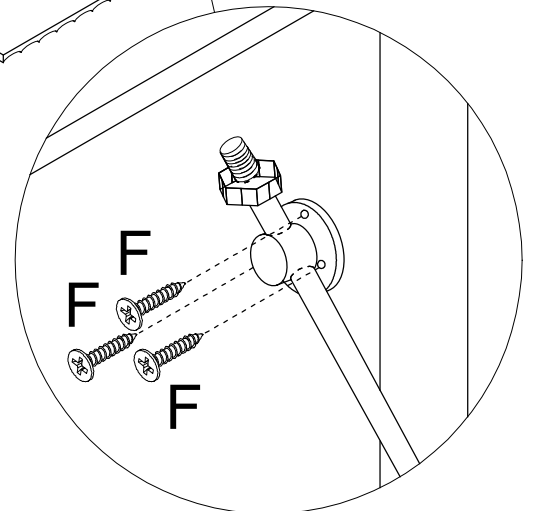
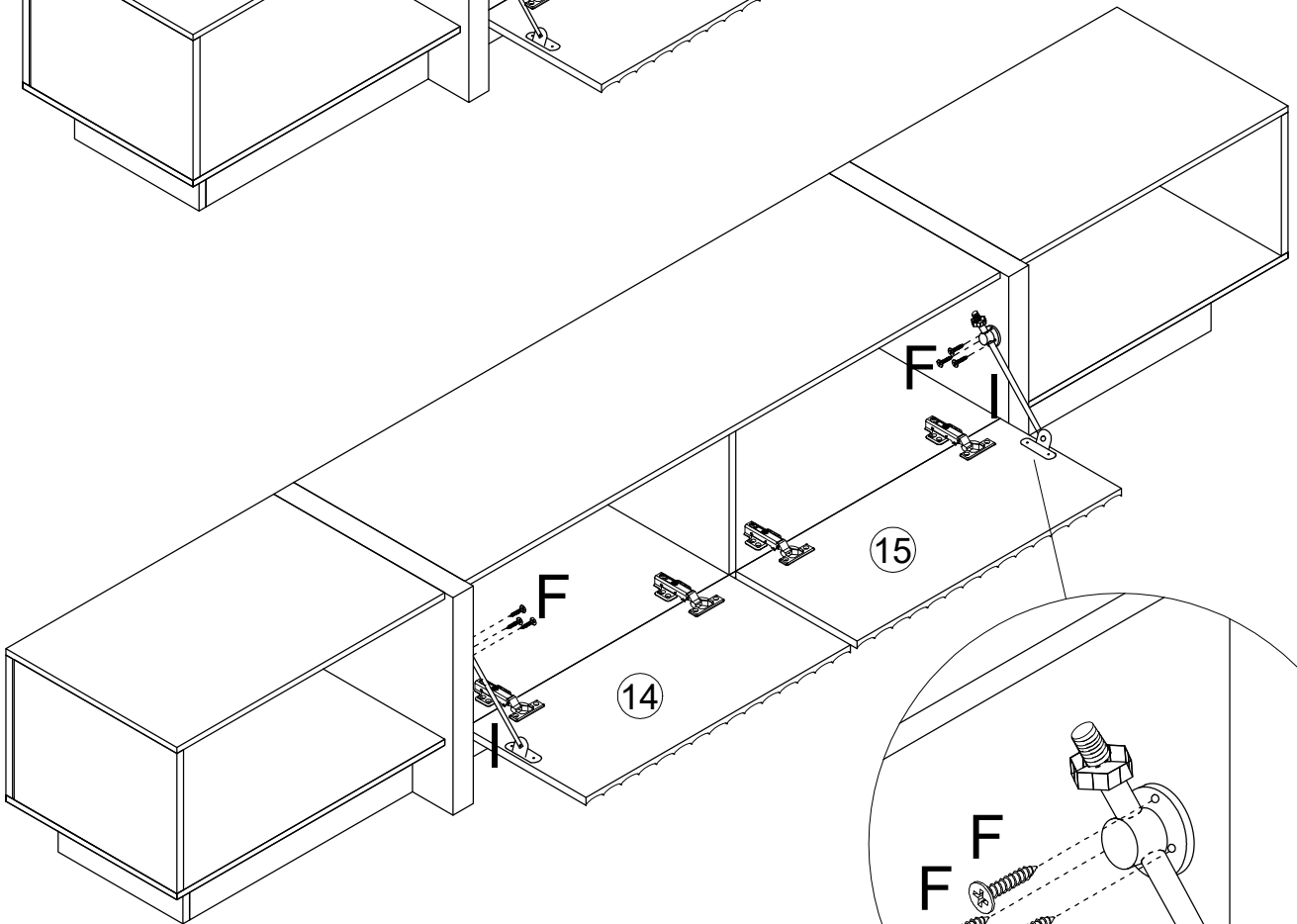
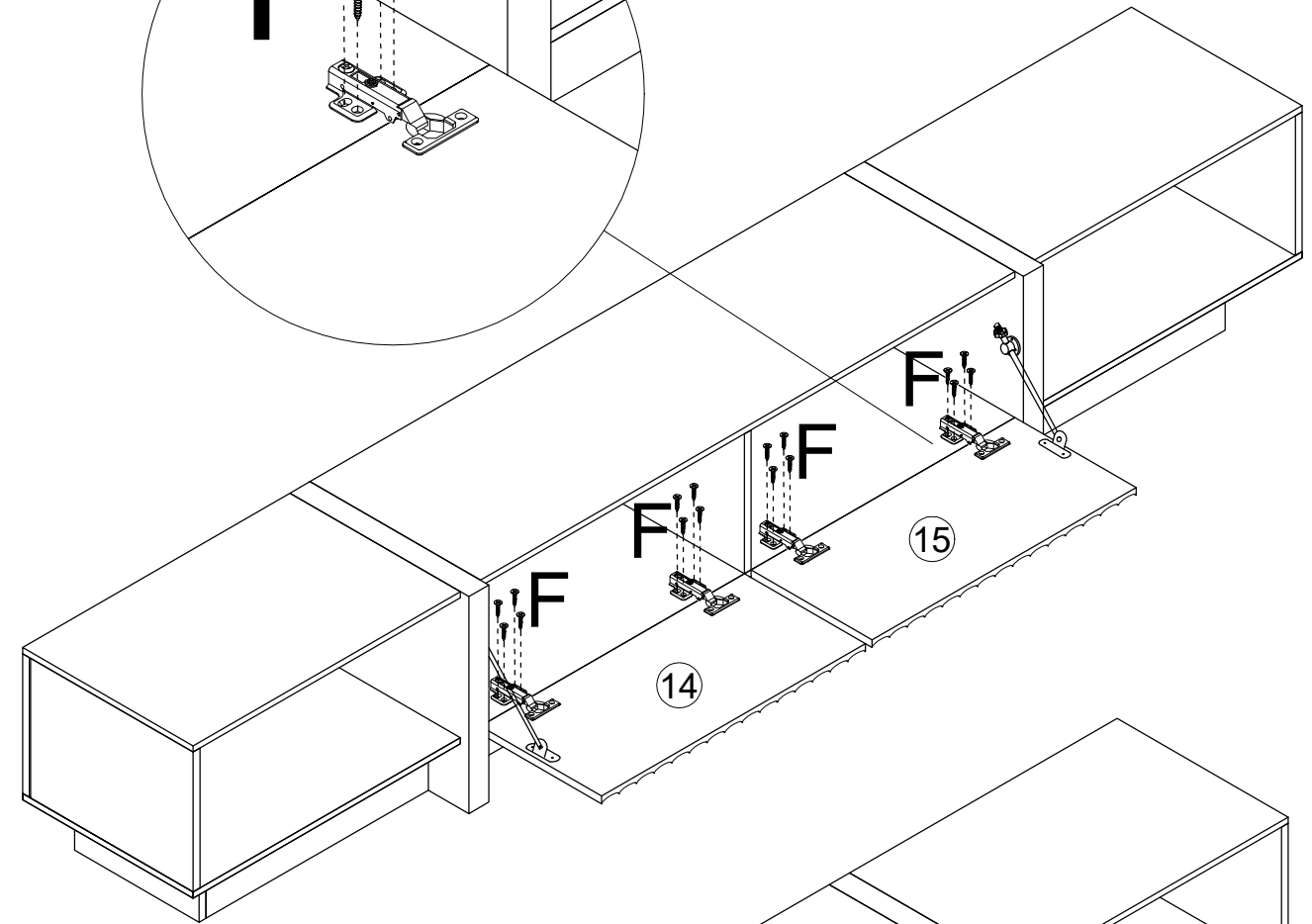
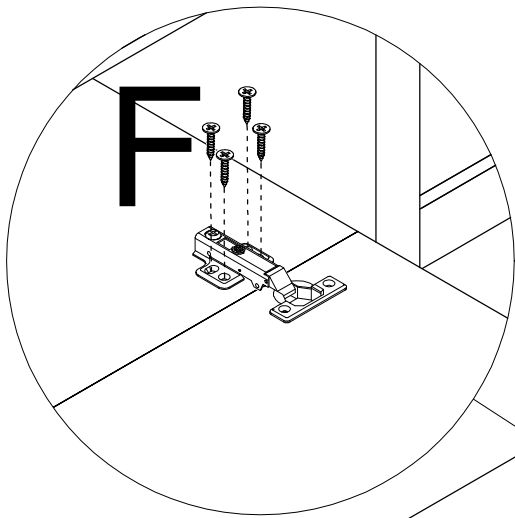

14

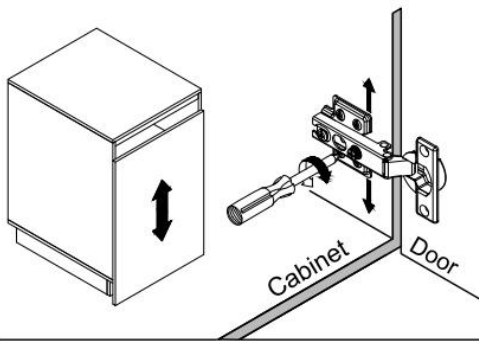
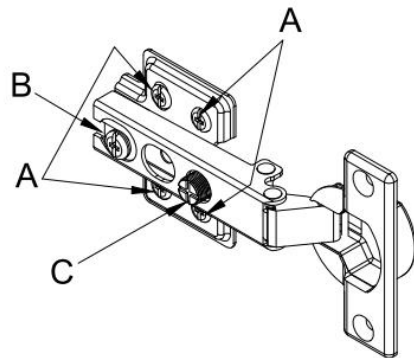
- G X4
- F X12
- I X2



15

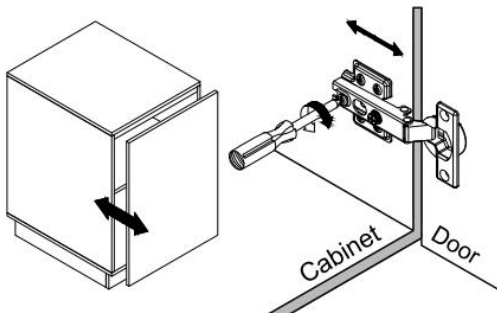
F X22





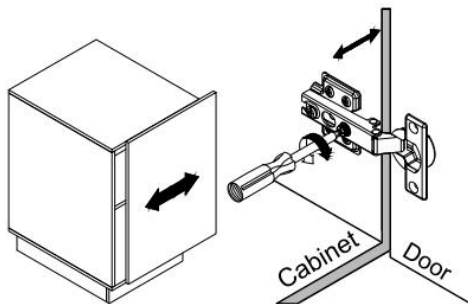
To adjust the vertical height.

Loosen the four screws "A" on both hinges. Two of them are usually in slotted holes which allows you to adjust up or down by a few mm. Then tighten back up.



To adjust depth.

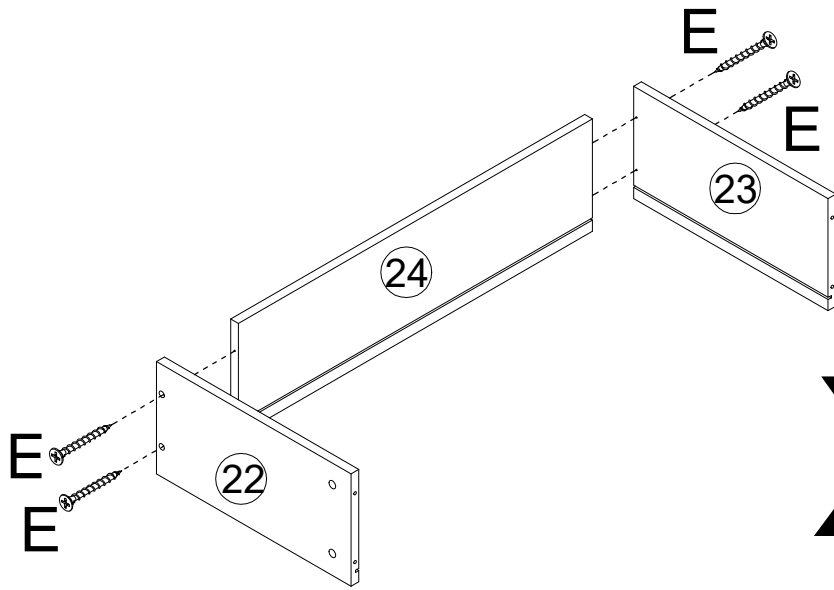
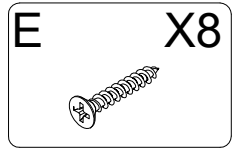
Loosen screw "B" and adjust door, if the door can not be adjusted, please loosen screw "C", then try again. Tighten screw "B" and "C".



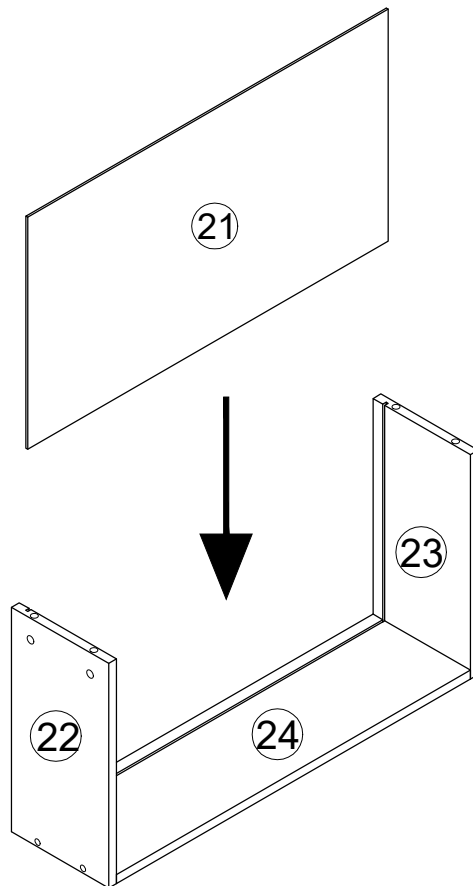
To adjust side ways.

Turning the screw "C" on BOTH hinges on each door.

16



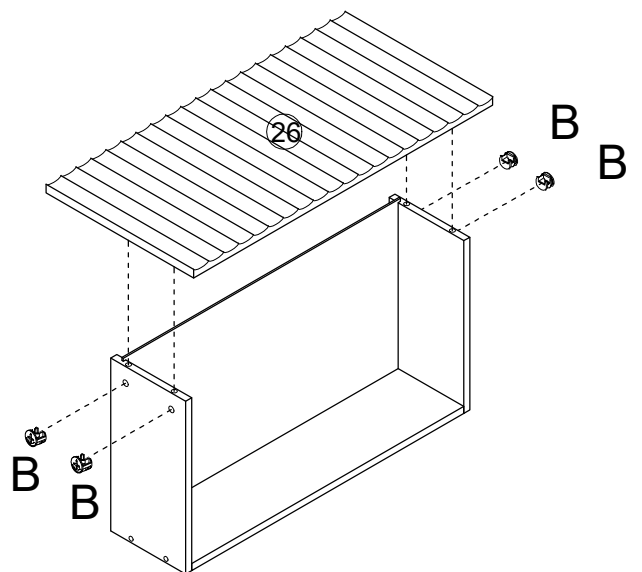
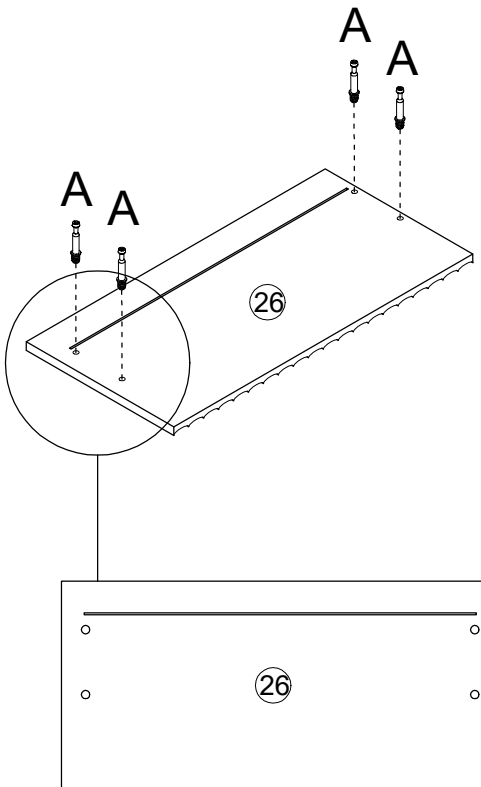
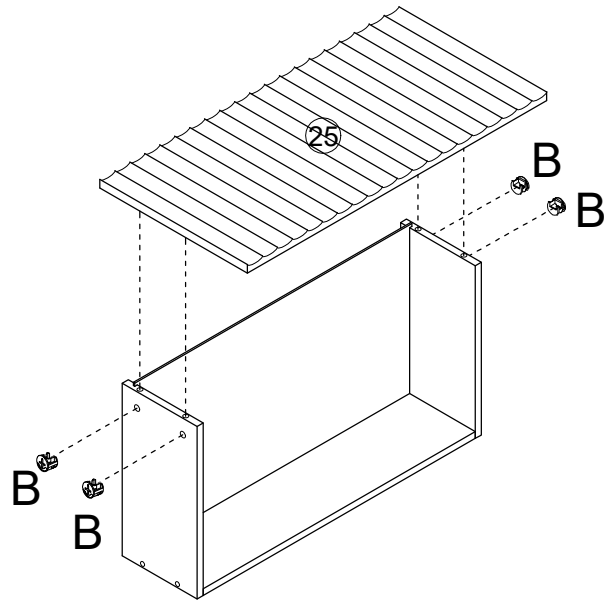
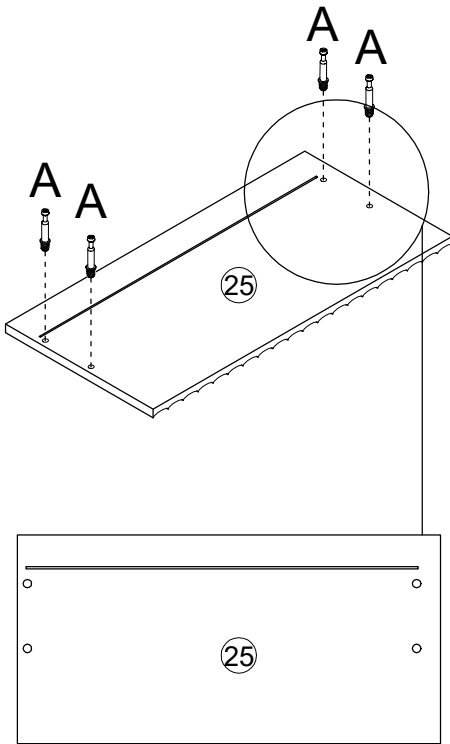
X2



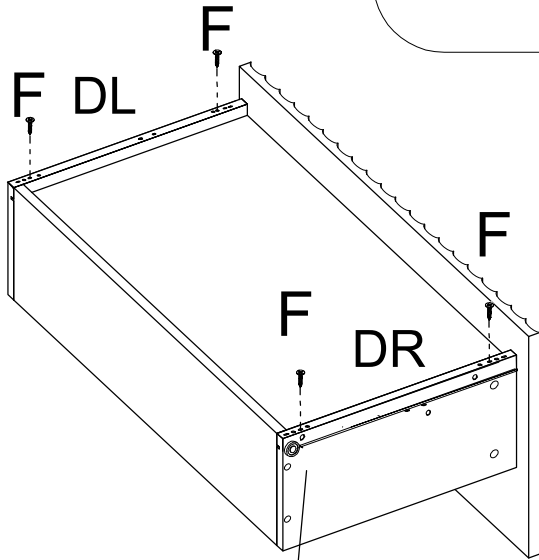
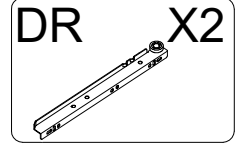
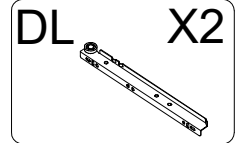
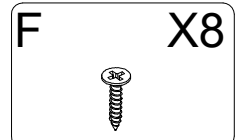
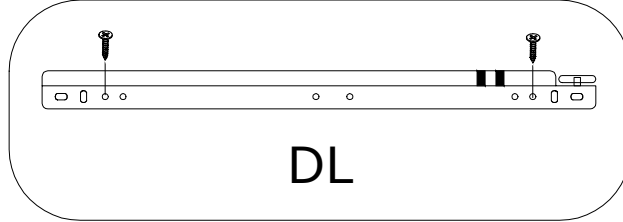
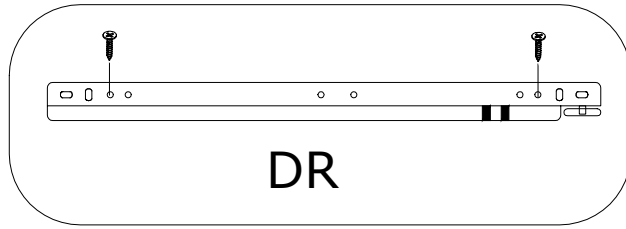
X2

17

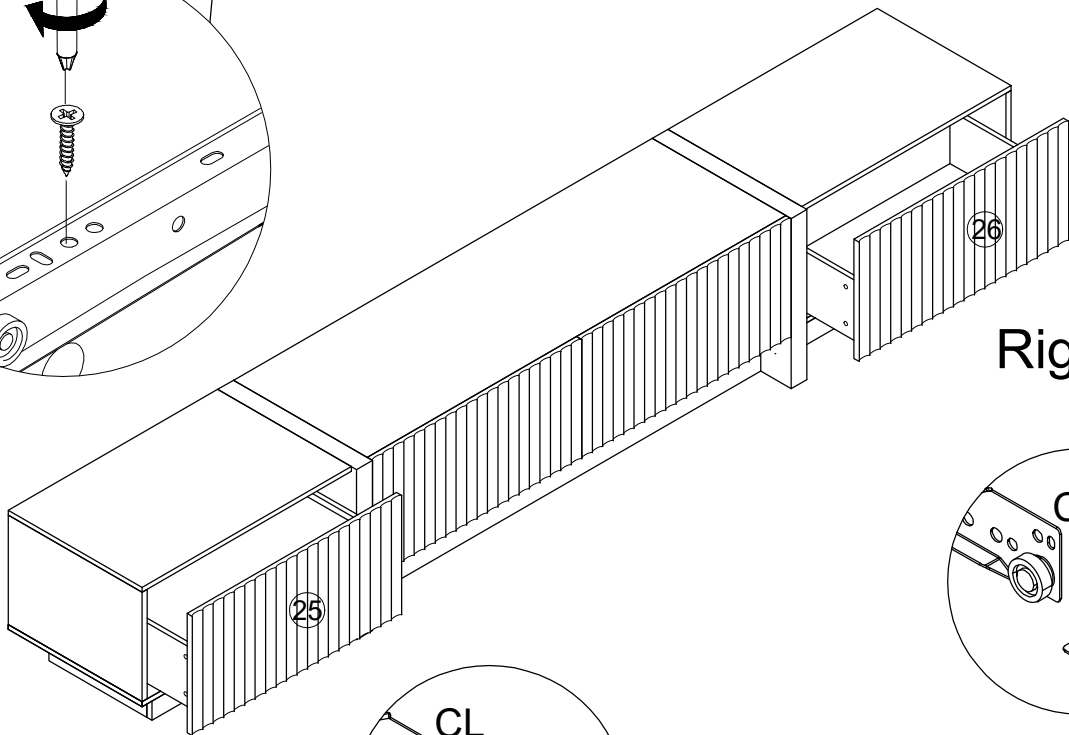
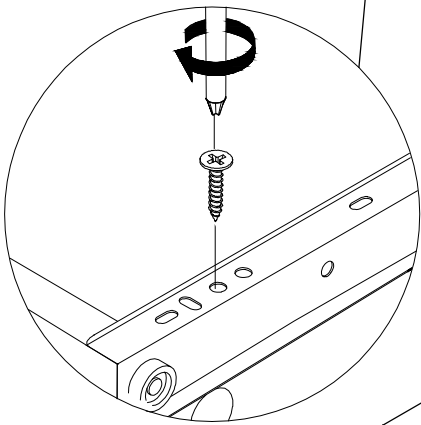
- A X8
- B X8



18

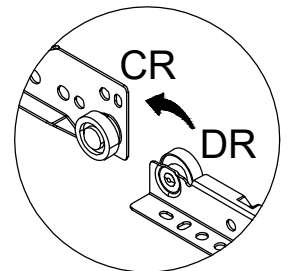
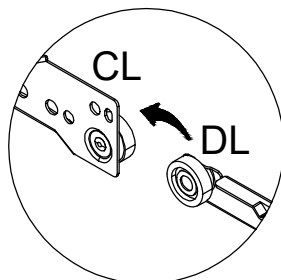


X2



Righth

Lift



19

H X16
