



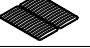






Assembly Instructions

Slipcover Bed






Parts

a		1PC	headboard
b		1PC	footboard
c		1PAIR	side rails
d		1PC	center rail
e		1PC	slats
f		1PC	support leg
g		1PC	slip cover

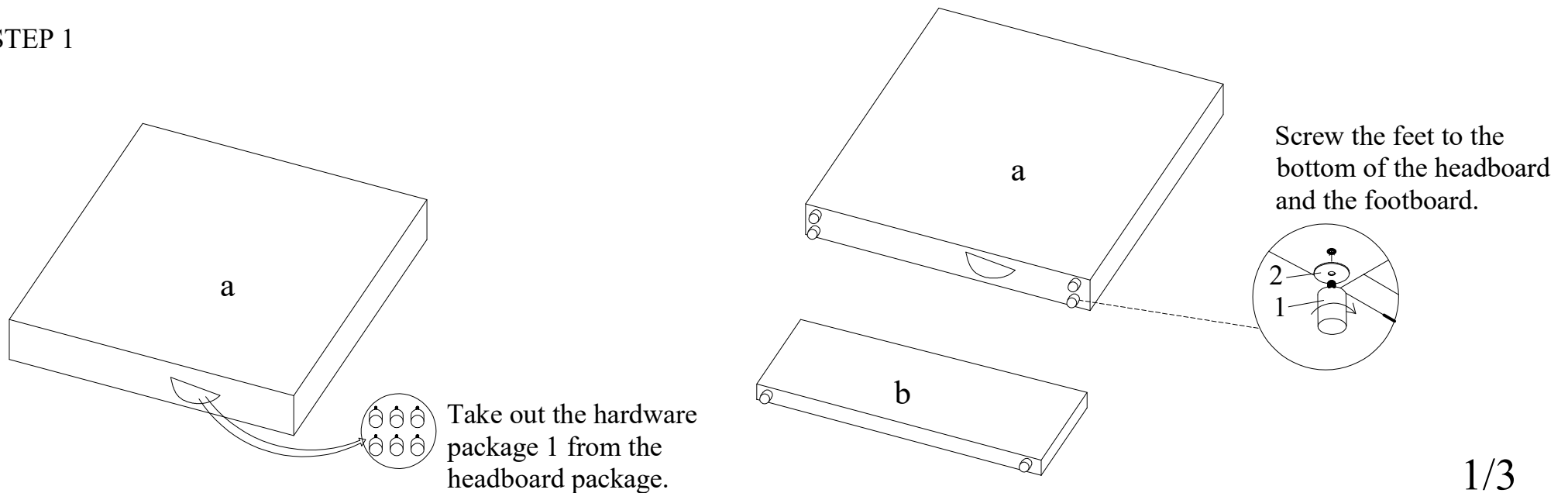
Hardware package 1

1		6PCS	in the box of headboard
2		6PCS	

Hardware package 2

3		8PCS	M8X100	in the box of Side Rails
4		8PCS	M8	
5		8PCS	M8	
6		8PCS	M8	
7		1PCS		

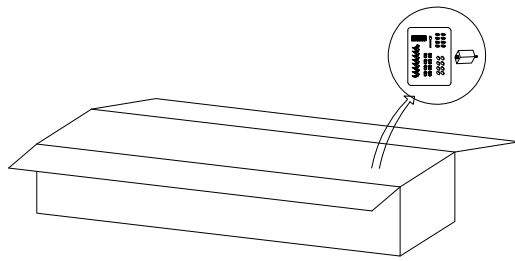
STEP 1



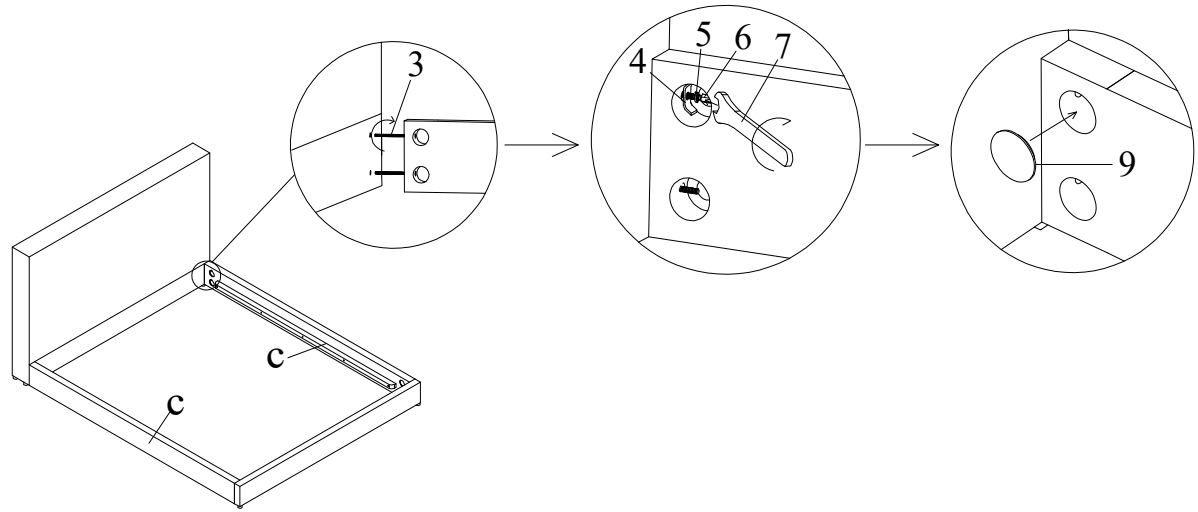
Assembly Instructions

Slipcover Bed

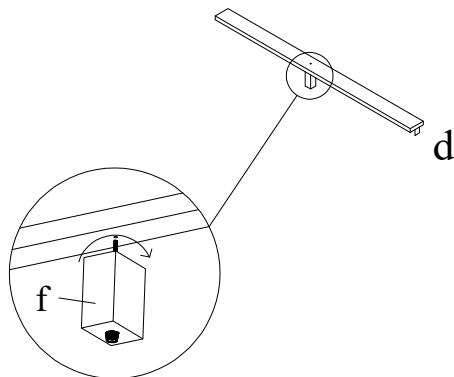
STEP 2



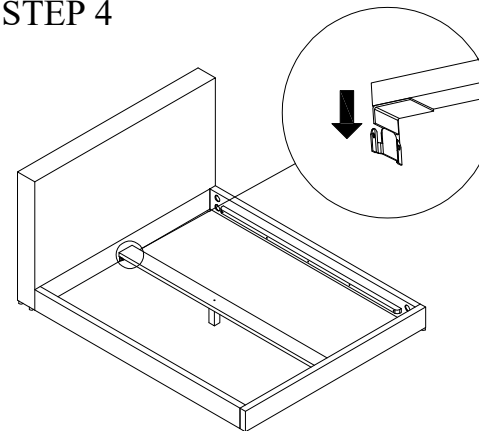
Take out the hardware package 2 from the box of Side Rails



STEP 3



STEP 4

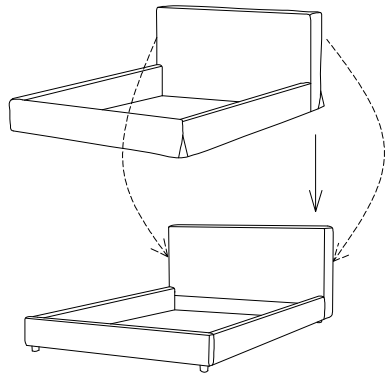


Assembly Instructions

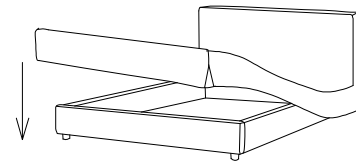
Slipcover Bed

STEP 5

Put the slip cover on the body.

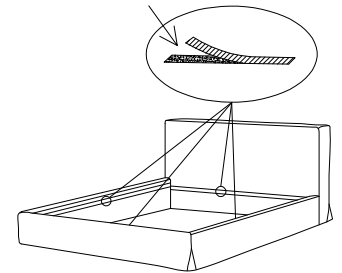


Place the cover on the headboard.
Line up cover corner seam to frame corner and
pull it down.



Put the cover on the footboard.

Remove the protective strips
from Velcro for fixing



STEP 6

