

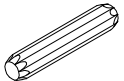

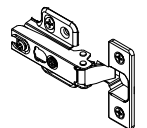
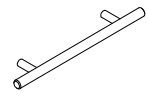

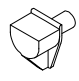

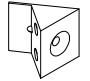
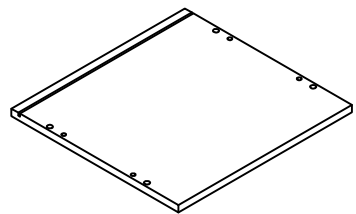


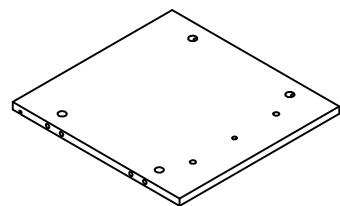
<p>A</p>  <p>24PCS</p>	<p>B</p>  <p>24PCS</p>	<p>C</p> <p>8*40</p>  <p>9PCS</p>	<p>D</p> <p>3.5*14</p>  <p>16PCS</p>	<p>E</p>  <p>4PCS</p>	<p>F</p>  <p>1PCS</p>	<p>G</p> <p>4*18</p>  <p>2PCS</p>	<p>H</p>  <p>8PCS</p>	<p>I</p> <p>3*12</p>  <p>10PCS</p>	<p>J</p>  <p>10PCS</p>
--	---	--	---	---	--	--	--	---	---

1



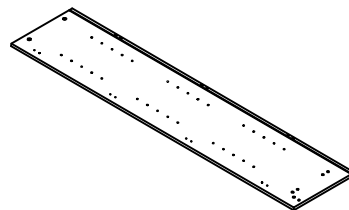
400*385 1PS

2



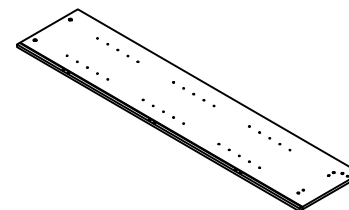
368*385 1PS

3



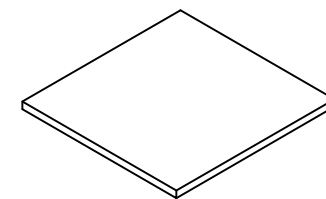
1785*385 1PS

4



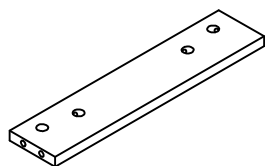
1785*385 1PS

5



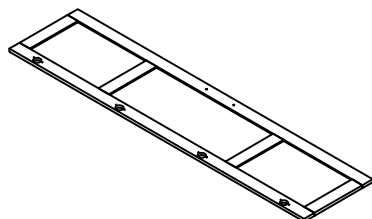
365*335 2PS

6



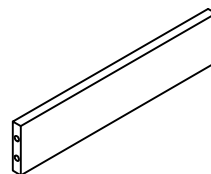
386*80 1PS

7



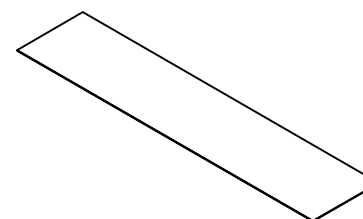
1720*400 1PS

8



386*80 1PS

9



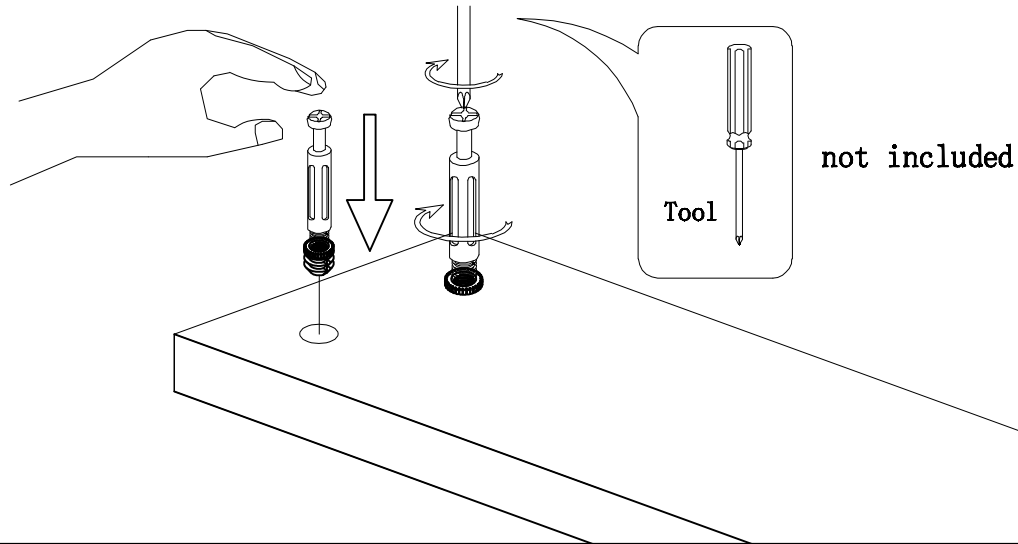
1700*378 1PS



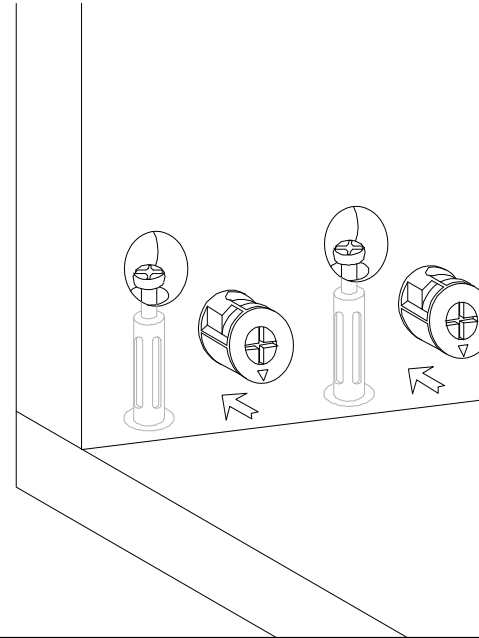
Hardware installation demonstration

NOTE: Please make sure "A" hardware tightened and can't be pulled out!

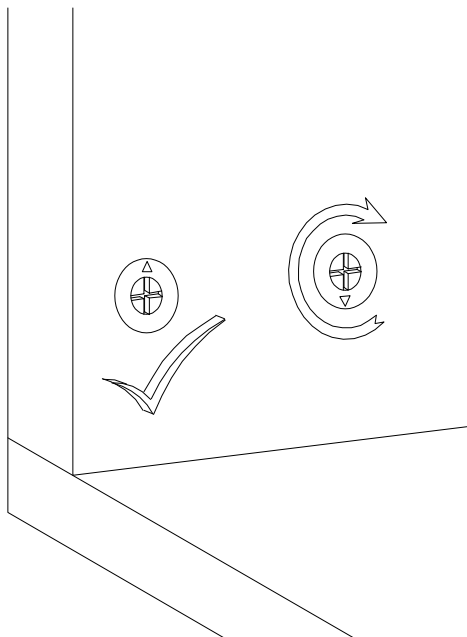
I



II

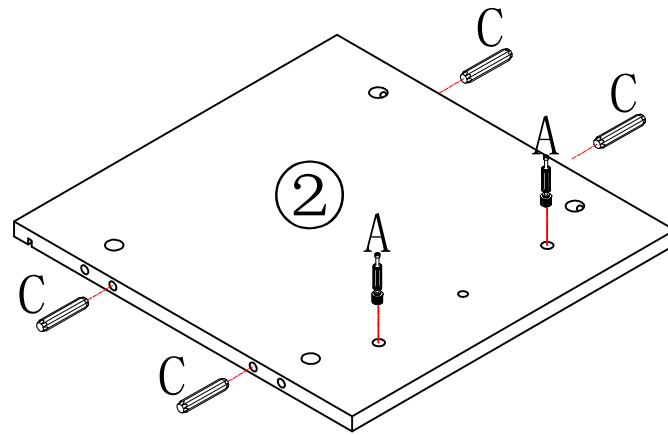
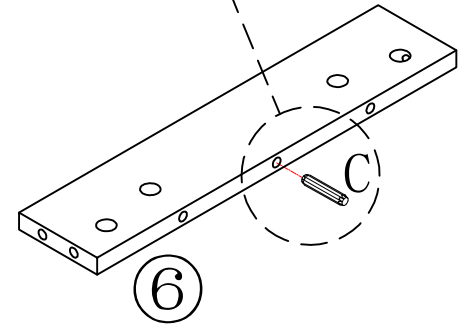
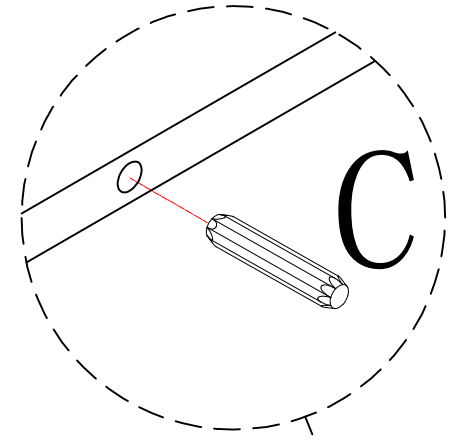
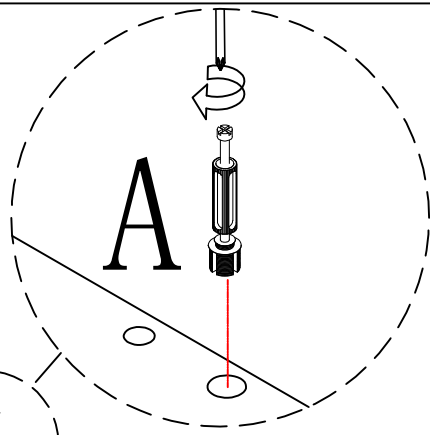
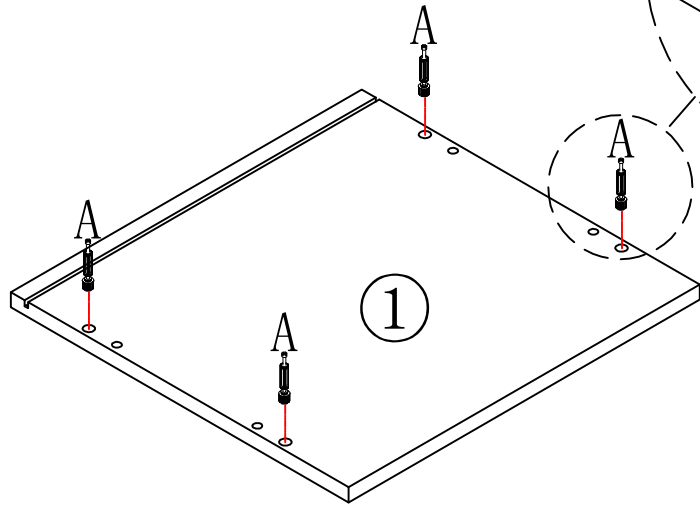


III



IV

①



A*6

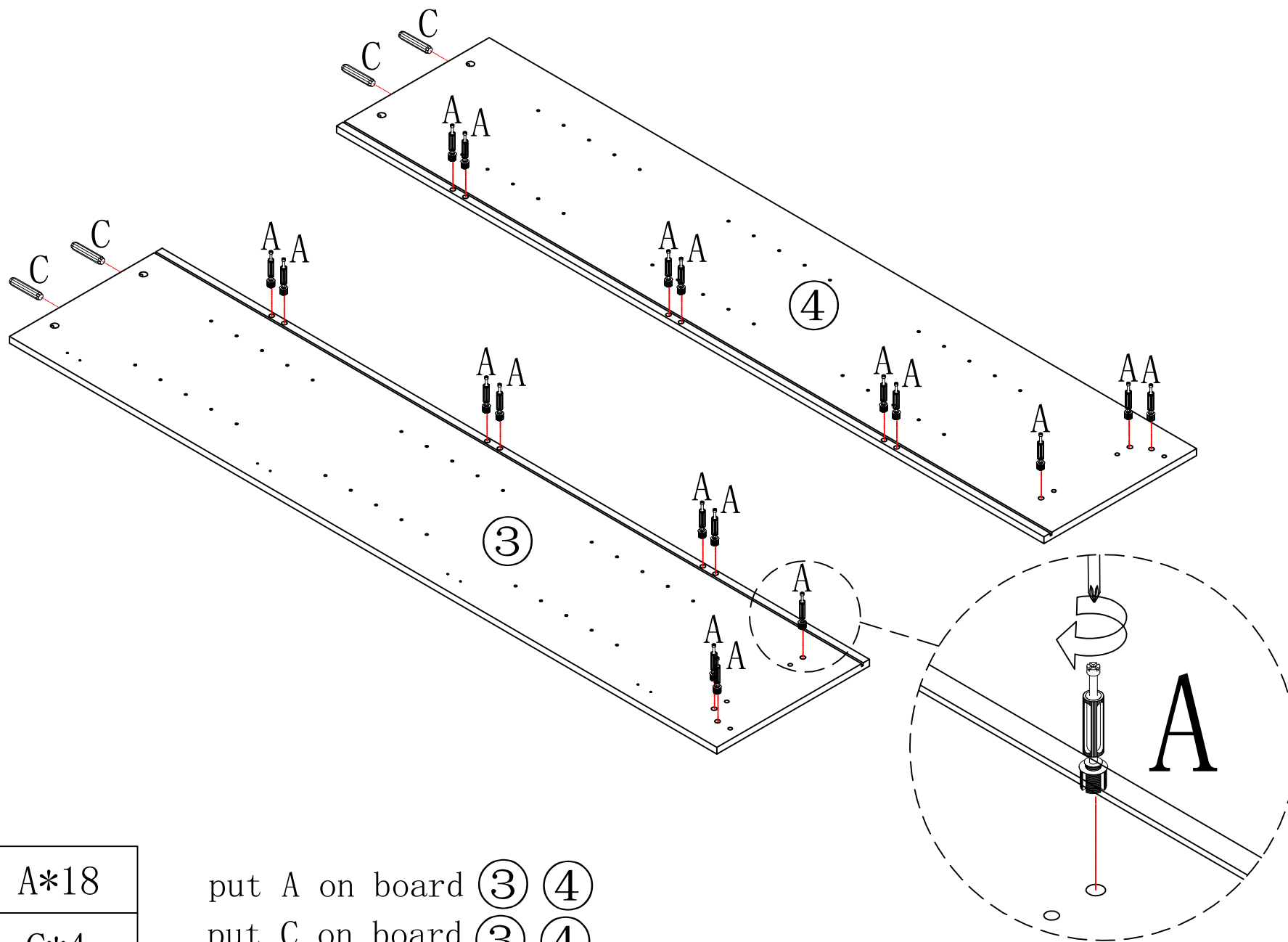



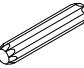
C*5

put A on board ① ②

put C on board ⑥

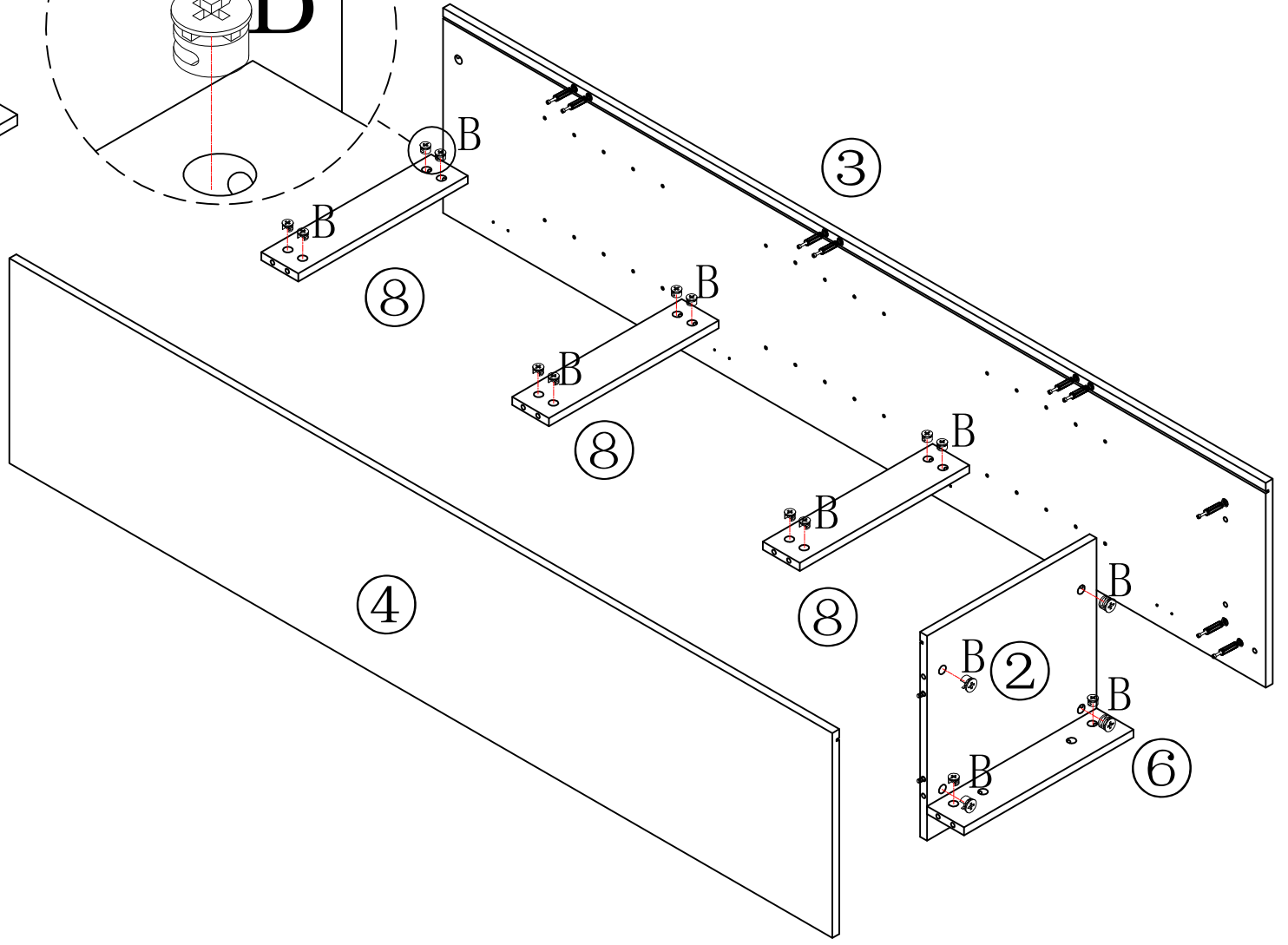
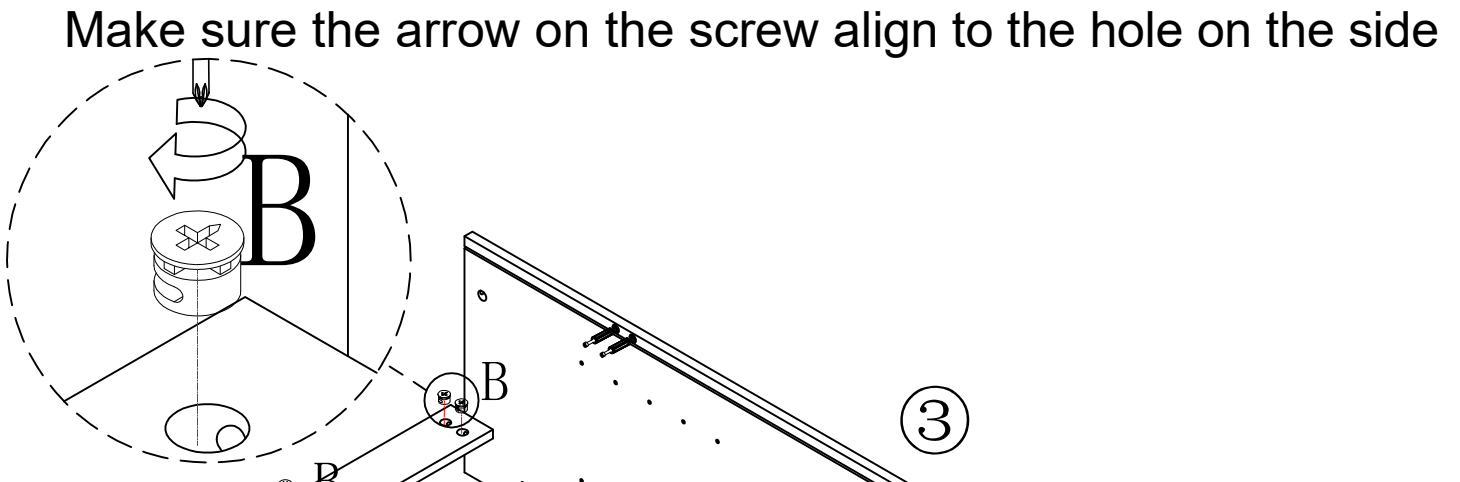
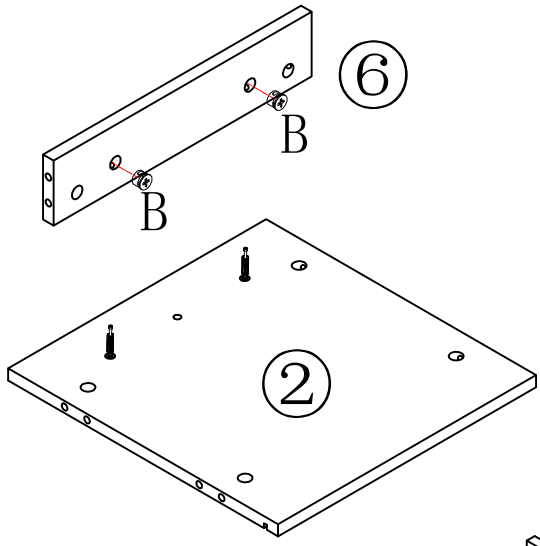
2



	A*18
	C*4

put A on board (3) (4)
put C on board (3) (4)

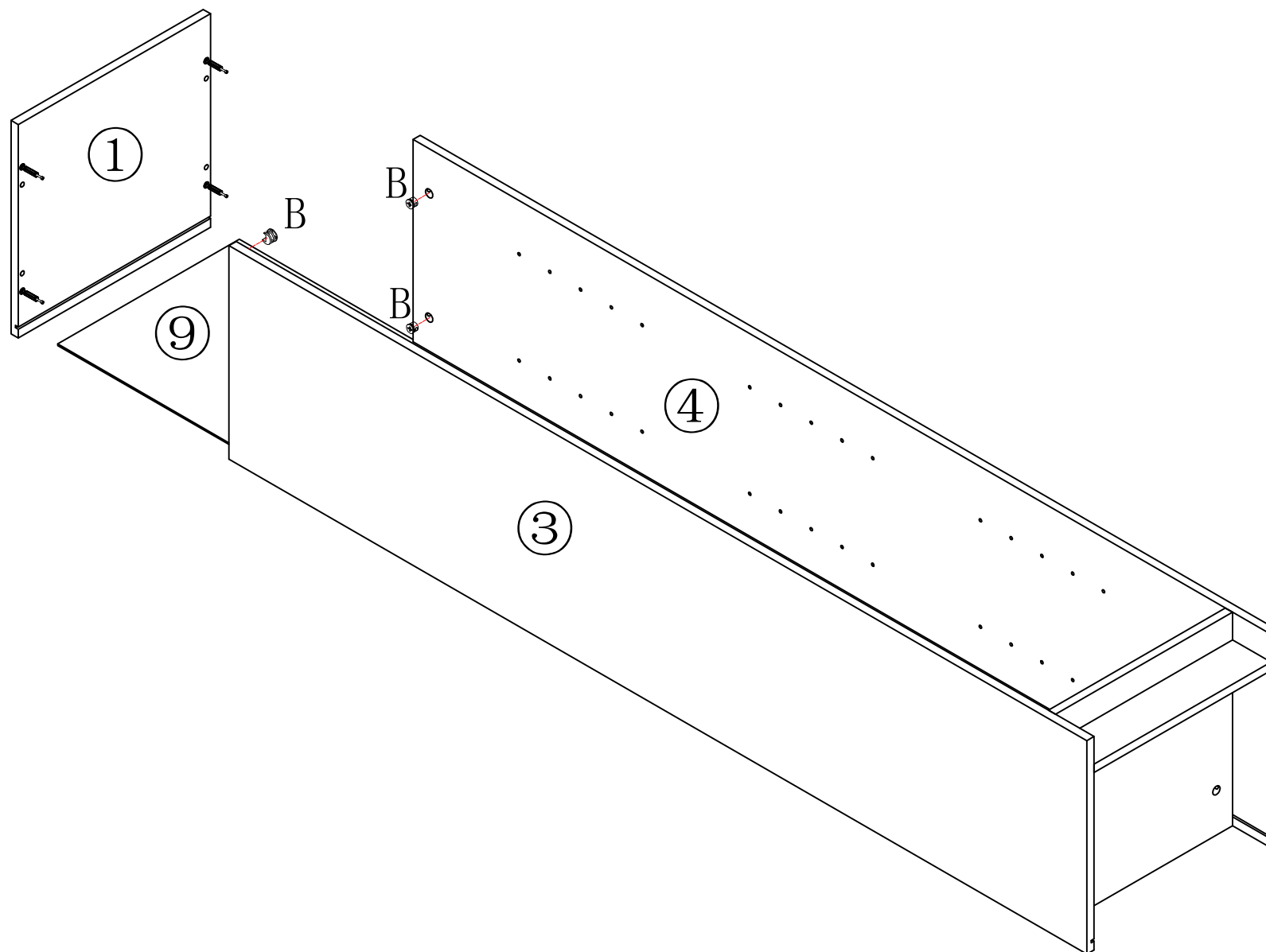
3



	<p>B*20</p>
--	-------------

put B on board 2 6 8

④

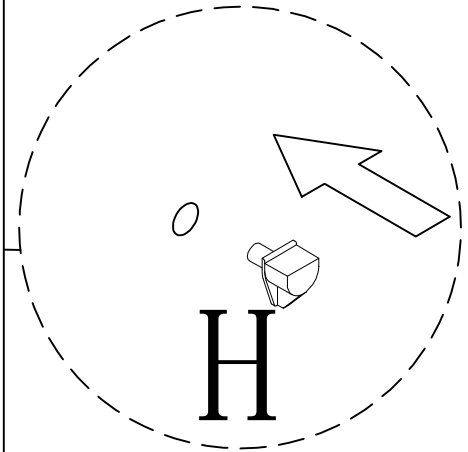
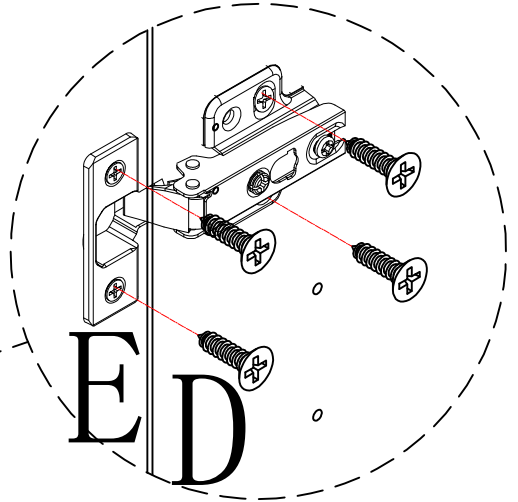
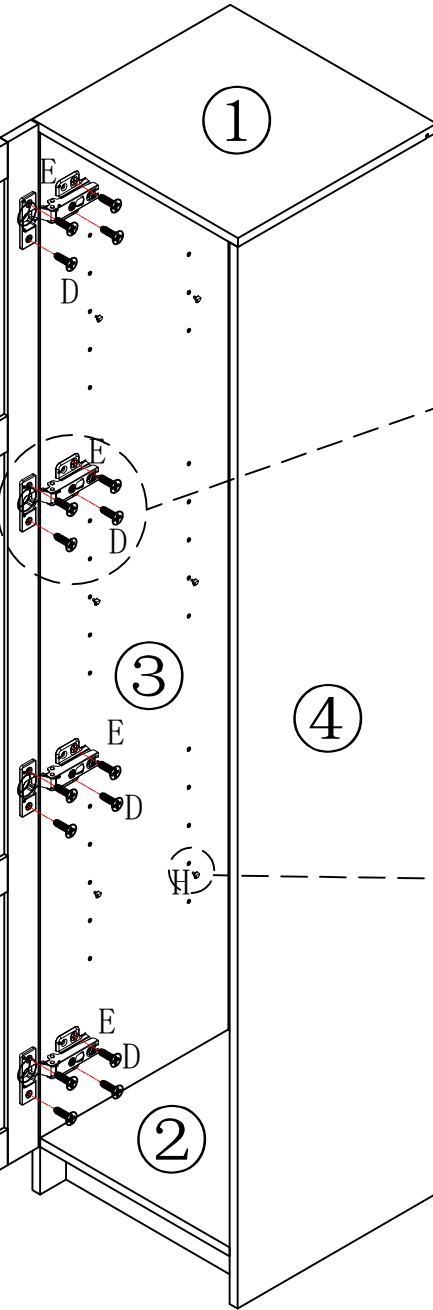
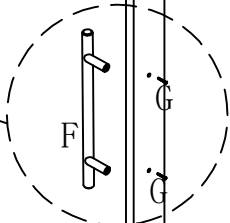
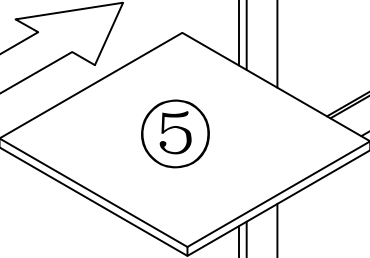
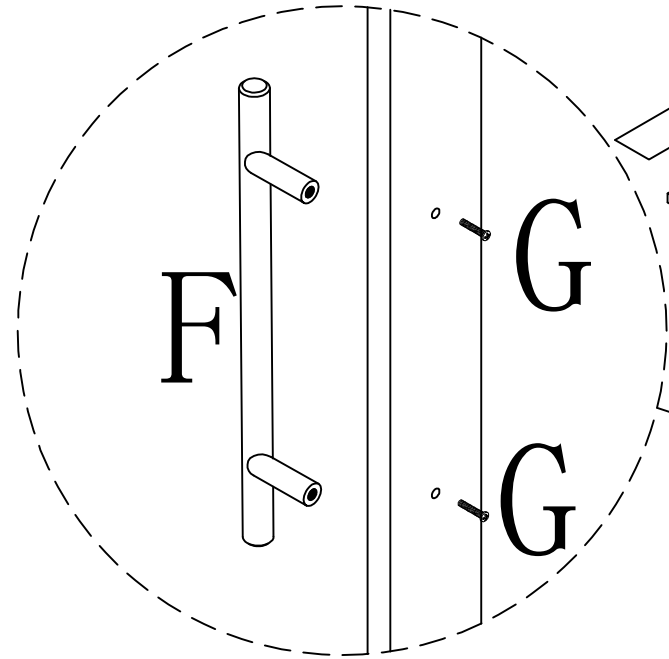




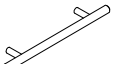
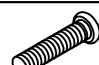
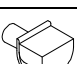
put B on board ③ ④



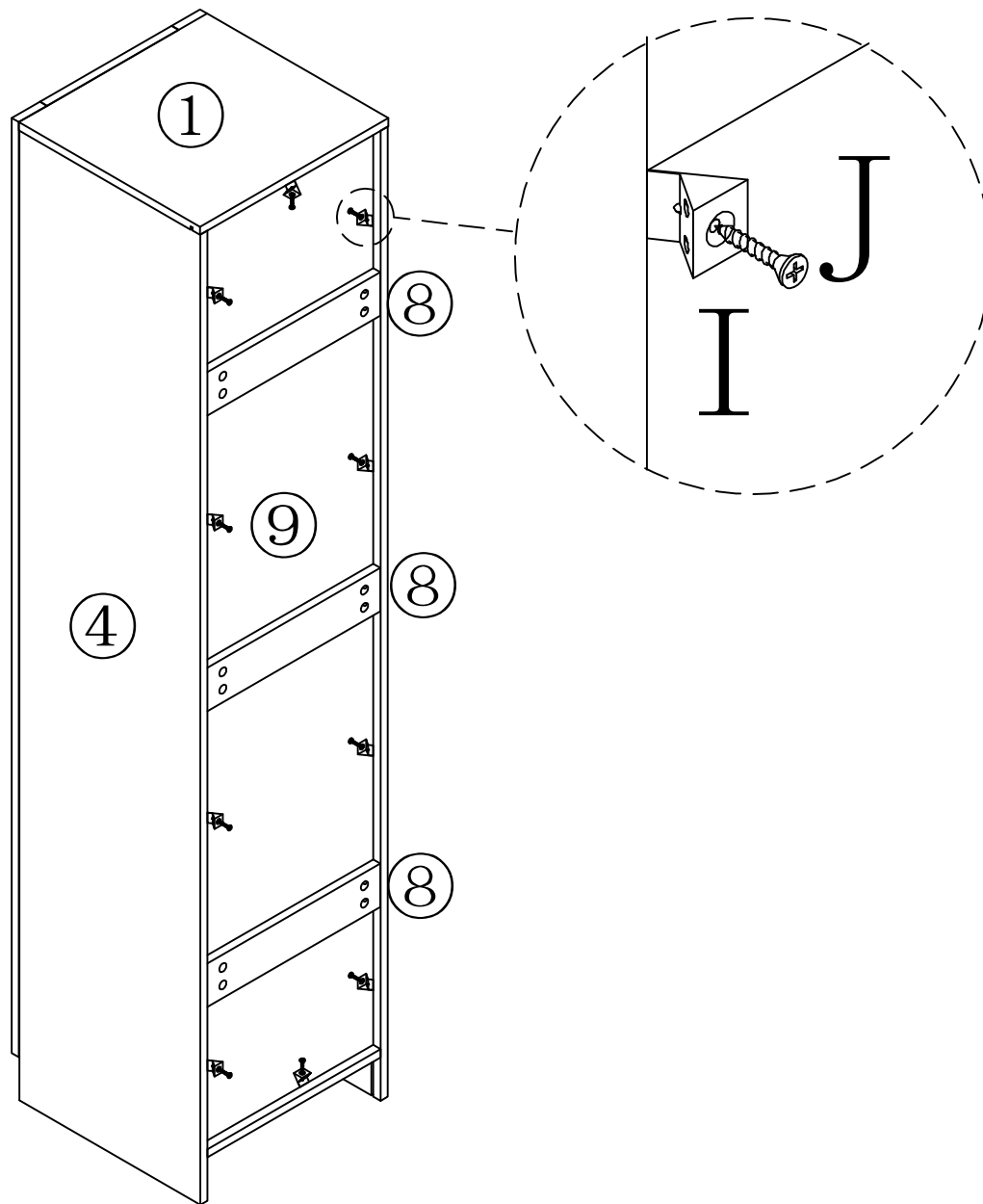
B*4

5



	D*16
	E*4
	F*1
	G*2
	H*8

6

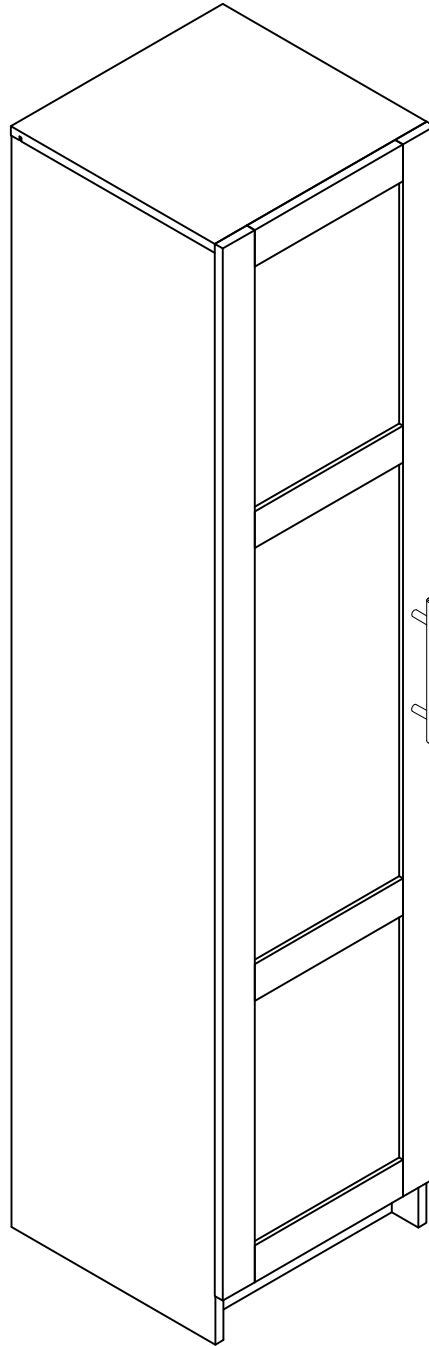


I*10



J*10

7



END