

# Specifications

## PRODUCT INFORMATION

Mounting Type: Ceiling  
Finish: Matte Black  
Diffuser: N/A

## PRODUCT MEASUREMENTS

FIXTURE**	BACKPLATE / CANOPY**
Length:	Length
Width:	Width:
Diameter 6.25"	Diameter: 4.75"
Height: 8"	Height: .75"
Extension:	
Overall Height: 13-129"	

## TECHNICAL SPECIFICATIONS

### SPECIFICATIONS

Frame Material: Steel  
Diffuser Material: Metal  
Lamping Type: E-26 (Incandescent) Jbox: Standard  
Lamping Base: E-26 Lamp Wattage: 60 W  
Lamp Quantity: 1 Total Wattage: 60 W  
Voltage: 120v Lamps Included: No

### QUALIFICATIONS

Location Rating Damp  
Certification: ETL (US/Canada) Listed  
ADA Compliant: No Energy Star: No  
JA8 Compliant: No Emergency Lighting: No  
Marine Grade Finish: No  
Warranty\*\*: 1 Year

### PHOTOMETRICS

Dimmable: No Nominal Lumens: N/A  
CRI: N/A Delivered Lumens: N/A  
CCT: N/A  
Recommended Dimmers:

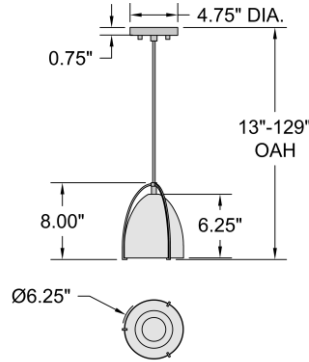
### ADDITIONAL NOTES

12 Feet of Black Cord Included

Project Name: \_\_\_\_\_  
Location: \_\_\_\_\_  
Type: \_\_\_\_\_  
Quantity: \_\_\_\_\_  
Notes:



### LINE DRAWING



### IES FILE

In addition to our purchase and warranty terms and conditions, by signing below or placing an order, you agree that you are authorized to bind the entity placing any order and acknowledge the following: All of sizes and measurements are approximate and all images are for illustrative purposes only. In the event of an inconsistency, the "Product Measurements" section controls. There also may be slight differences in the colors and designs compared to the displayed and printed images.

Signature: \_\_\_\_\_

Print Name \_\_\_\_\_ Date: \_\_\_\_\_