

# PULSAR 11 Outdoor Shower



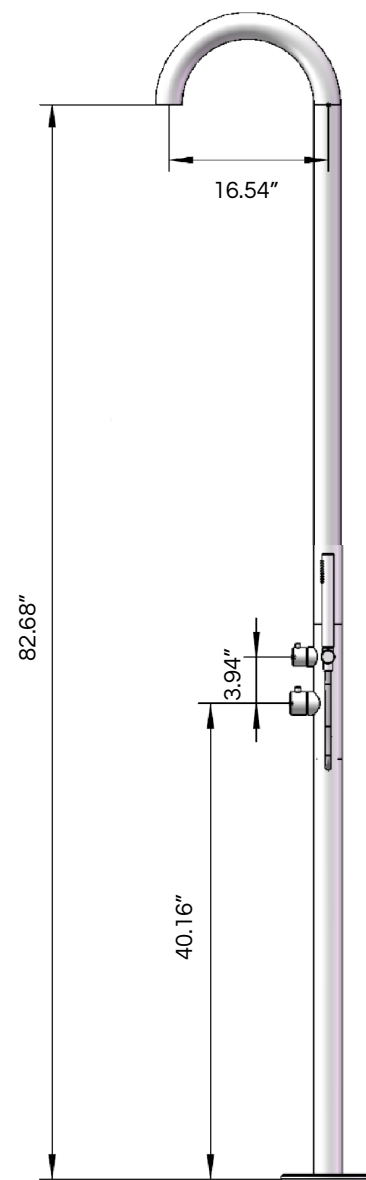
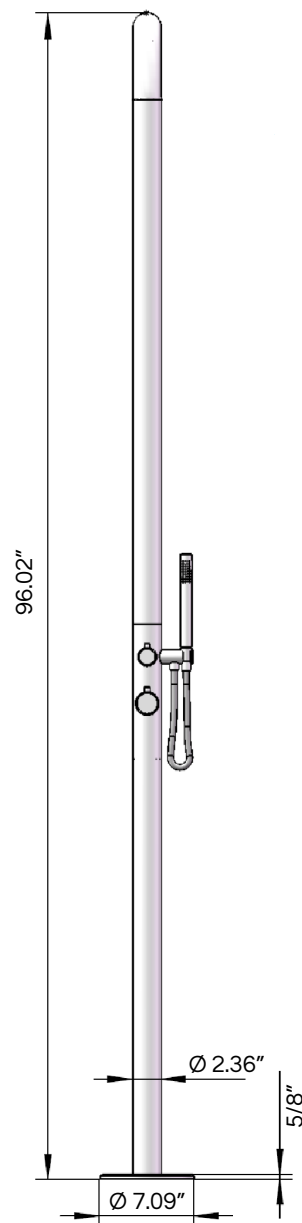
-  brushed  
**PLSR11-BR**
-  matte black  
**PLSR11-MB**

## SPECIFICATIONS

MATERIAL:	316 marine grade stainless steel
FEATURES:	pressure balance valve two-way diverter hand shower built-in part for easy installation
WEIGHT:	38 lbs
PACKAGE DIMENSIONS:	L 55" x W 23" x H 11"
DELIVERY WEIGHT:	45 lbs

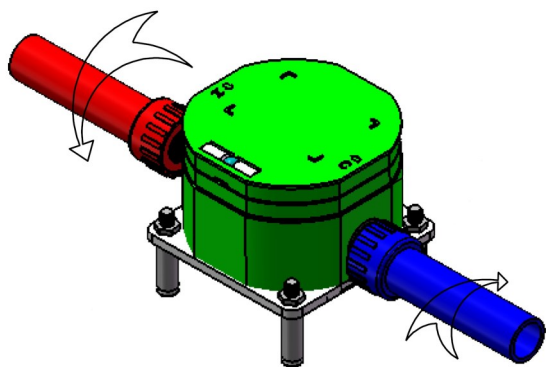
## MAINTENANCE & CARE

BRUSHED:	Regularly apply stainless steel cleaner and rub in the direction of the grain, using a slightly abrasive sponge.
MATTE BLACK:	Regularly clean with soap water or alcohol. Do not use abrasives.



# PULSAR 11 Outdoor Shower

BUILT-IN PART FOR INSTALLATION



FLOOR INSTALLATION DETAIL

