

LP361155

Linear Pendant

TECHNICAL SUPPORT

1.833.MY ALORA(692.5672)

technicalsupport@aloralighting.com

⚠ WARNINGS AND CAUTIONS

Important: ALWAYS be sure to disconnect power before re-lamping or wiring the fixture. Read these instructions completely before starting installation.

To avoid the risk of fire and/or shock fixture must be installed in compliance to national and local electrical and building codes.

If an existing fixture is being replaced take special notice of which wires were connected in the outlet box.

DO NOT SEPARATE ANY WIRES THAT MAY BE EXISTING IN THE JUNCTION BOX
DO NOT DAMAGE THE INSULATION OF JUNCTION BOX WIRES.

In Regular circumstances the **BLACK** wire will be "live", **WHITE** will be "neutral" and **GREEN** or **BARE COPPER** will be "ground". In older buildings it is always good practice to reconfirm the polarity of the wiring.

NOTICE

• The important safeguards and instructions outlined in this sheet cannot cover all possible conditions and situations that may occur. It must be understood that caution and certain care factors must be followed. These instructions are provided for your safety and we highly recommend that a licensed, trained electrician install this unit.

• This fixture is designed to be mounted on a correctly installed standard round or octagon box OR through a wiring box with a plaster frame. The box must be securely mounted to the structure of the building. The crossbar and hardware supplied should be used, directly mounting the fixture to the outlet box may make it impossible to correctly align the fixture.

ASSEMBLY INSTRUCTIONS

Step 1

Remove fixture from its original package.

Step 2

Separate mounting plate (1c) from canopy (2a) by loosening the mounting collar nut (2f). Attach mounting plate (1c) to electrical junction box (1a) using junction box screws provided (1e) in hardware package. Attach canopy pivot (2e) to mounting plate (1c) by threading clockwise.

Important: This fixture must be mounted independently from junction box, additional means of support is required.

Step 3

Determine hanging height of fixture by securing rods (2d) to canopy pivots (2e) and fixture (3a) after feeding fixture wires through rods.

Step 4

Make proper electrical connections (**black to hot "L"**, **white to neutral "N"**, **ground to "GND"**) with wire nuts (1b) provided in hardware package.

Step 5

Attach canopy (2a) to mounting plate (1c) by threading mounting collar nut (2f) onto canopy pivot (2e).

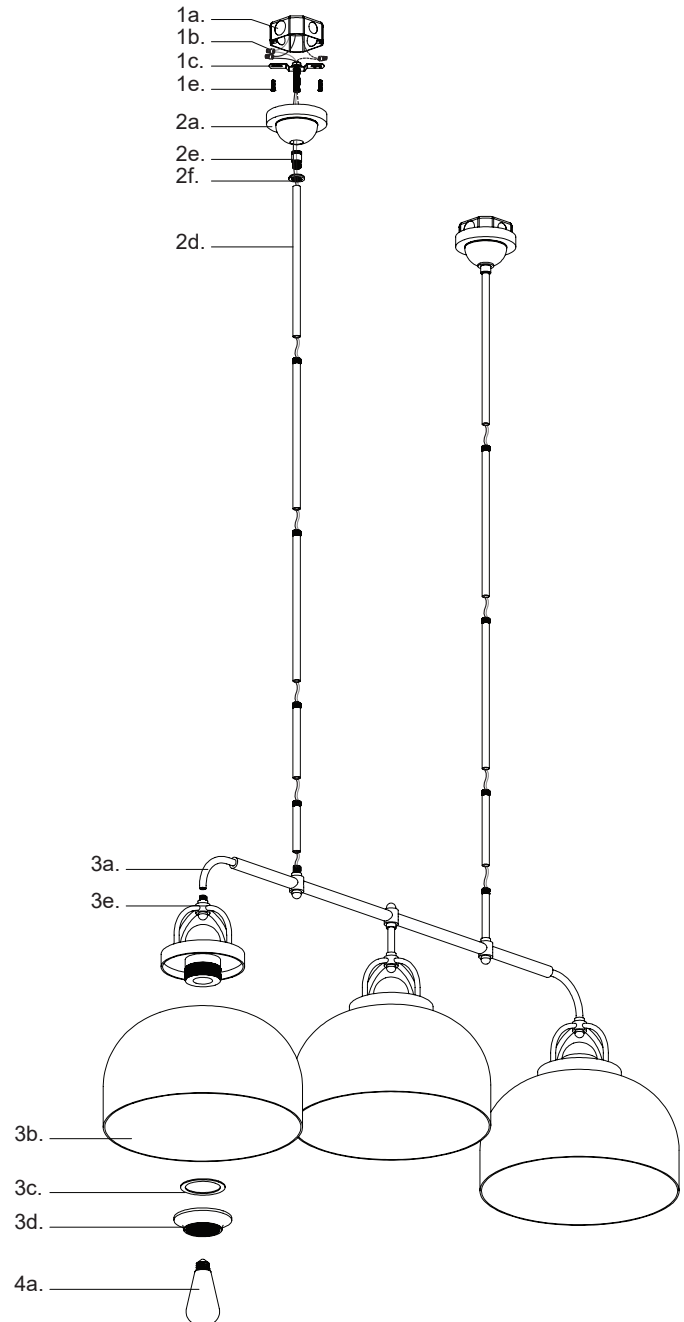
Step 6

Secure fixture socket (3e) onto fixture (3a) by threading clockwise. Attach glass (3b) onto fixture socket (3e), followed by rubber washer (3c) and secure with glass connector (3d).

Step 7

Install recommended lamps (4a) (not provided) (referred on the socket label for maximum wattage and type) to fixture sockets (3e).

You are now ready to enjoy your fixture.



alora

P. 1.833.MY ALORA (692.5672)

CANADA: 19054 28th Avenue - Surrey, BC V3Z 6M3

USA: 3035 E. Lone Mountain Rd - Las Vegas, NV, 89081

www.aloralighting.com