

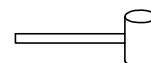
# ASSEMBLY INSTRUCTIONS WHITNEY DINING CHAIR

ASSEMBLY  
REQUIREMENTS

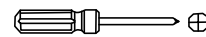
1-Person  
Assembly

30 Minutes  
Assembly Time Per Chair  
(Approximate)

Tools Required  
(Not Provided)



Mallet



Phillips Screwdriver

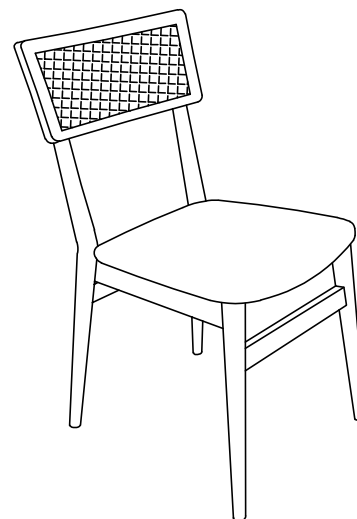
## Thank you for purchasing our product!

Please refer and use this assembly instruction to assemble the product. Contact our customer service department in case there are any missing or damage parts or hardware. Replacement parts are normally shipped within 2 or 3 days.

## PRODUCTS PURCHASED THROUGH OUR AUTHORIZED VENDORS ONLY ARE ELIGIBLE FOR REPLACEMENT PARTS

We appreciate your business!

**THIS PRODUCT IS FOR INDOOR AND HOUSEHOLD USE ONLY - NOT FOR COMMERCIAL USE.**



## ASSEMBLY PREPARATION

1. Remove all packaging materials, staples and packing straps from the carton.
2. Refer to Parts List and Hardware List, and ensure parts and hardware are correct before assembly.  
Contact customer service for missing parts.
3. Place all wooden parts on a clean, flat and soft surface (e.g. carpet or rug) to prevent scratch and damage to parts.

## SAFETY PRECAUTION

1. KEEP ALL HARDWARE PARTS OUT OF REACH OF CHILDREN.
2. DISPOSE PLASTIC PACKAGING MATERIAL IMMEDIATELY TO AVOID ANY RISK OF SUFFOCATION TO CHILDREN AND ANIMALS.

## TIPS FOR ASSEMBLY





1. Allow ample room for assembly and in close proximity to where product will be placed.
2. Assemble the product on a surface that does not scratch or damage the exterior gloss and finish of the furniture.
3. Identify all of the parts, hardware and quantities required for each step.
4. During assembly, do not over-tighten any fittings as this may cause damage.
5. DO NOT USE POWER TOOLS TO ASSEMBLE THIS PRODUCT.
6. Always place the product on a flat, level surface.
7. Do not sit or stand on the partially assembled product; only use the product for which it is intended.

## CARE AND MAINTENANCE





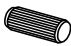

- Wipe clean with a soft, dry cloth; avoid the use of harsh chemicals or household cleaners as they may damage the exterior finish of the furniture.
- Hardware may loosen over time. Periodically, check that all connections are tight; re-tighten as necessary.
- Solid wood is impacted by heat and humidity fluctuations which may cause small joint separations or hairline cracks; place the furniture away from direct sunlight and air conditioning vents, heating vents or units to protect the furniture.

# ASSEMBLY INSTRUCTIONS WHITNEY DINING CHAIR

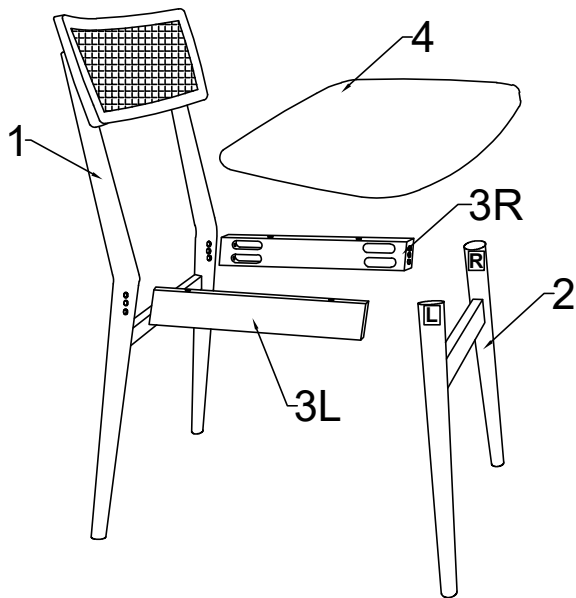
## PARTS LIST (FOR 1 CHAIR)

ITEM	PART NAME	QTY
1	CHAIR BACK 	1
2	FRONT LEG 	1
3	L+R SIDE RAIL 	2
4	SEAT CUSHION 	1

## HARDWARE LIST (FOR 1 CHAIR)

ITEM	HARDWARE NAME DESCRIPTION	QTY	EXTRA
A	JCBC BOLT M6 X 50MM 	8	1
B	FLAT WASHER 	8	1
C	SPRING WASHER 	8	1
D	CHIPBOARD SCREW M4X38MM 	4	1
E	WOOD DOWEL 	4	1
F	ALLEN KEY M4 	1	-

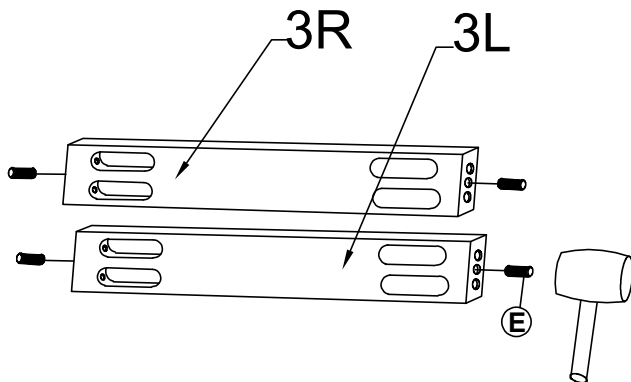
### PARTS ASSEMBLY OVERVIEW



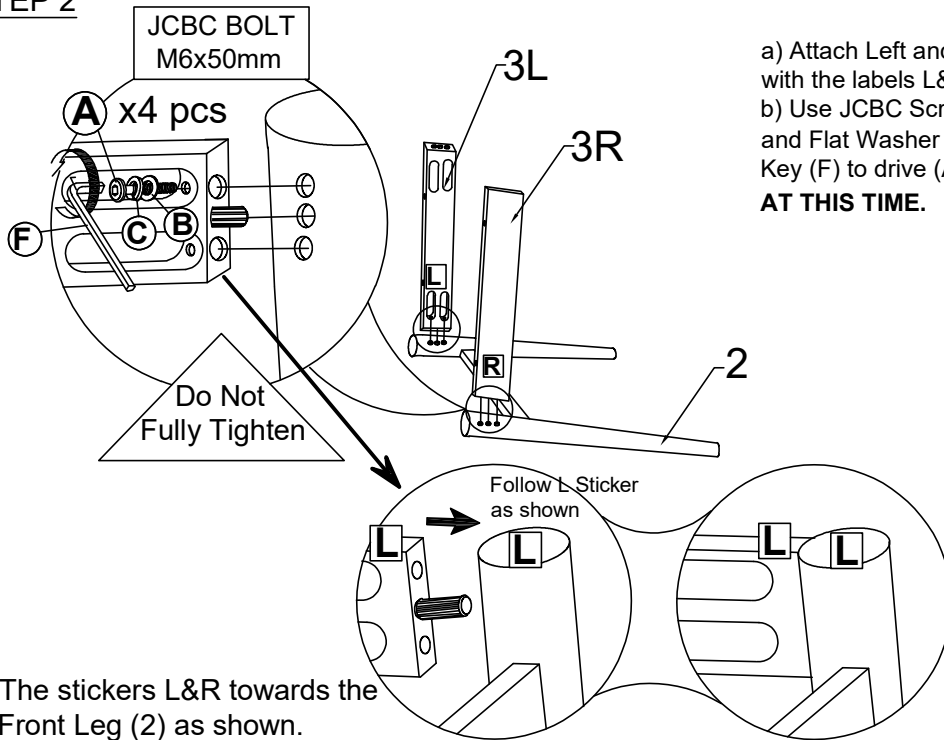
\*\* Extra Hardware for spare use

## STEP 1

a) Insert Wood Dowel (E) into the middle hole on each end of Left and Right Side Rail (3L & 3R). Use a mallet to tap in (E) as needed.



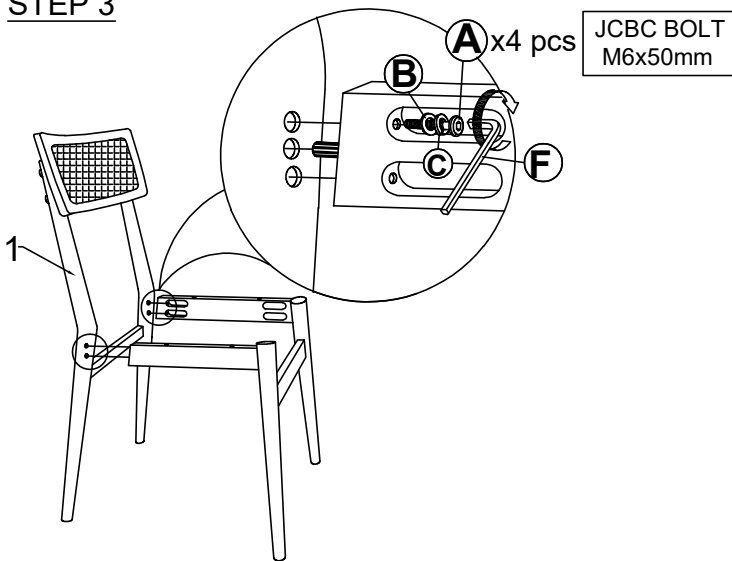
## STEP 2



- Attach Left and Right Side Rail (3L & 3R) from Step 1 with the labels L&R towards the Front Leg (2) as shown.
- Use JCBC Screw (A) fitted with Spring Washer (C) and Flat Washer (B) to fasten (3L & 3R) to (2). Use Allen Key (F) to drive (A). **DO NOT TIGHTEN (A) COMPLETELY AT THIS TIME.**

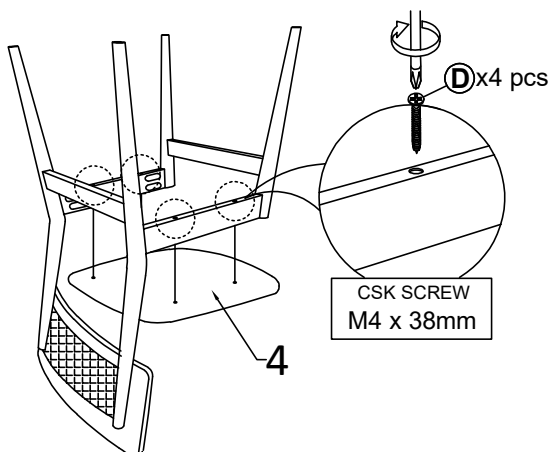
The stickers L&R towards the Front Leg (2) as shown.

## STEP 3



- Attach the Front Leg and Side Rail subassembly completed in step 2 to Chair Back (1) as shown.
- Use JCBC Screw (A) fitted with Spring Washer (C) and Flat Washer (B) to fasten side rail to (1). Use Allen Key (F) to drive (A). **DO NOT TIGHTEN (A) COMPLETELY AT THIS TIME.**
- Make sure all the legs are stable and contact with the floor, then fully tighten all screws. **DO NOT OVER-TIGHTEN.**

## STEP 4



- Place Cushion Seat (4) bottom-side up on an elevated surface (e.g. table top).
- Position the chair frame assembly from STEP 3 with the legs facing up as shown
- Center the Seat Frame to the Cushion Seat (4) with rear of the Cushion Seat against the Chair Back.
- Use Screw (D) to fasten (4) to left and right side rail of the Seat Frame. Use a Phillips Screwdriver to drive the screws. Do not tighten the screws completely until all screws are in place.
- Set the chair right-side up.

The assembly of the chair is complete.