



ASSEMBLY INSTRUCTION

ASSEMBLY GUIDE

Congratulations, you are now the owner of the new chair!

Before enjoying the comfortable chair, you have to assemble it. This assembly guide will take you through the basic assembly process. To make sure your assembly progress goes smoothly, please follow the assembly instructions **especially the important safety information.**

It is possible to assemble the chair by your own, while having **a second person to help you will make it easier.**

Please check if there are any missing parts in the package before start. If there are any issues, please don't hesitate to drop us an email and we'll help you ASAP.

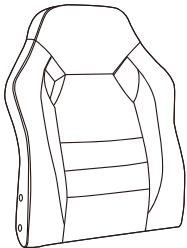

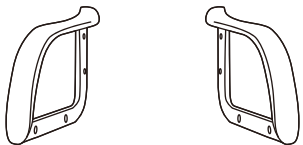
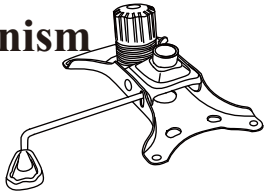

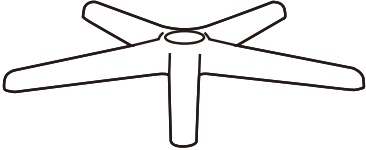
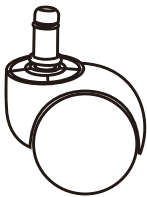
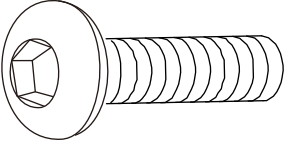
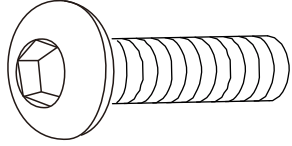
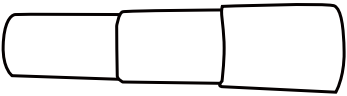

If you run into any difficulty during the assembly, remember to check out the assembly Video to see if you've missed something. If you're still unable to resolve your problems drop us an email and our support team will assist you.

WARNING

To ensure proper assembly, please follow all steps and use all parts. Failure to follow this warning can result in serious injury to yourself or others.

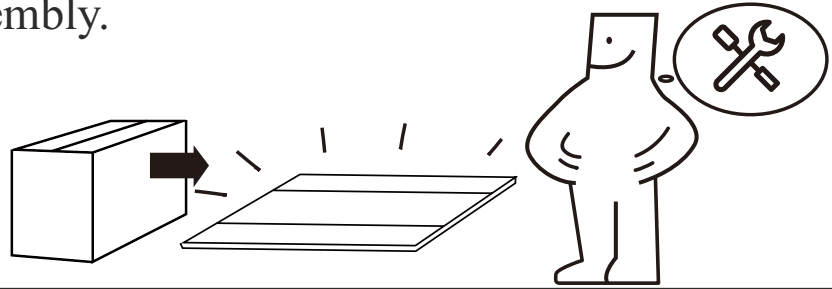
Package List

- Without further ado, we kindly suggest you to list all parts needed for the chair first.

<p>(1)*1 Backrest</p> 	<p>(2)*1 Seat Cushion</p> 	<p>(3)*1(L)*1(R) Armrests</p> 
<p>(4)*1 Mechanism</p> 	<p>(5)*1 Gas Lift</p> 	<p>(6)*1 Base</p> 
<p>(7)*5 Casters</p> 	<p>(8)*4 M6*20</p> 	<p>(9)*8 M6*25</p> 
<p>(10)*1 Telescope Cover</p> 	<p>(11)*1 Wrench</p> 	

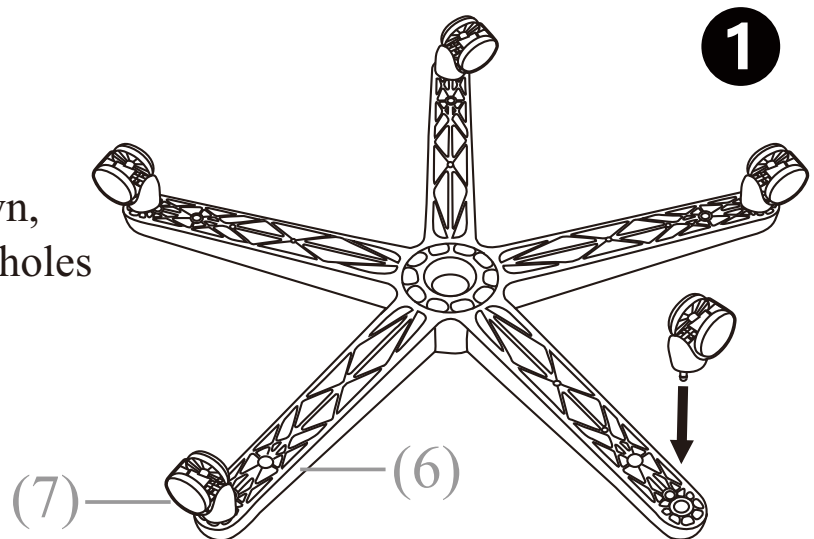
Assembly Instruction

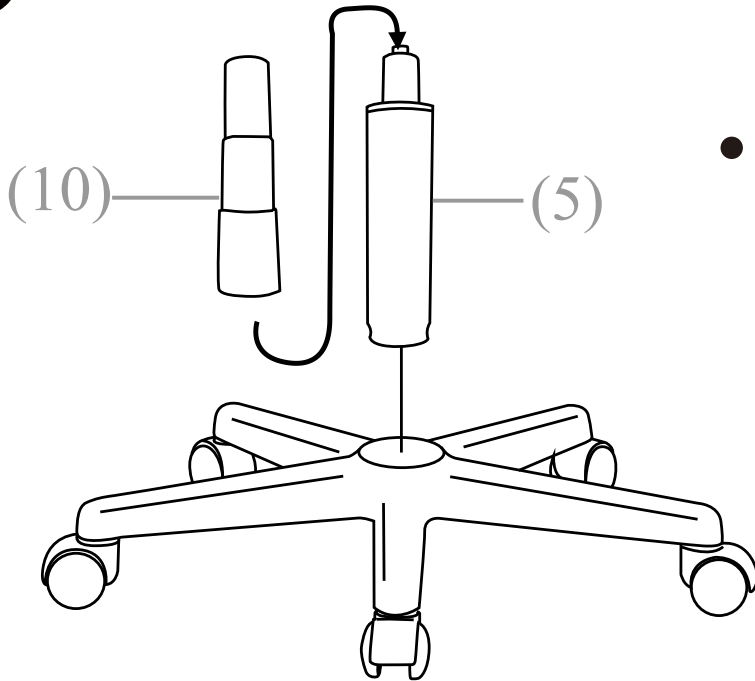
- Use the carton/carpet as a working surface to prevent product damage during assembly.



• Step 1:

Turn the Base **(6)** upside down, press the Casters **(7)** into the holes at the end of each Leg.



2

- **Step 2:**

Then insert the Gas Lift **(5)** into the center hole of the Base.

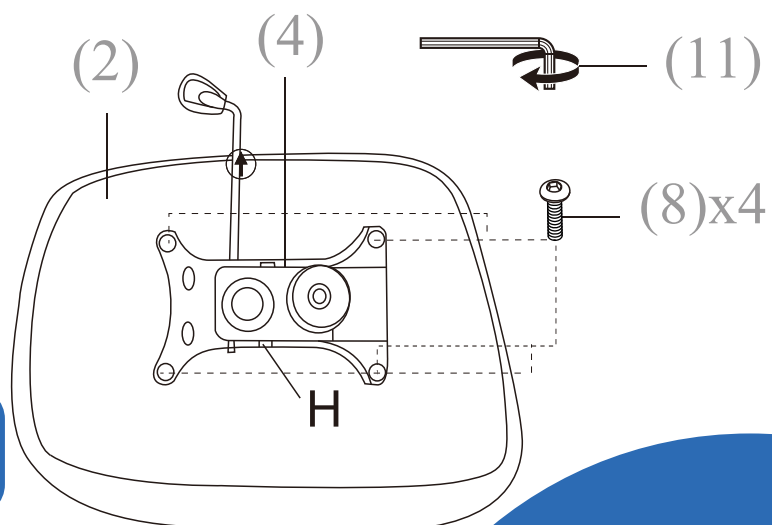
The Telescope Cover **(10)** should be placed over the Gas Lift.

3

- **Step 3:**

Align the Mechanism **(4)** over the pre-drilled holes underneath the Seat Cushion **(2)**.

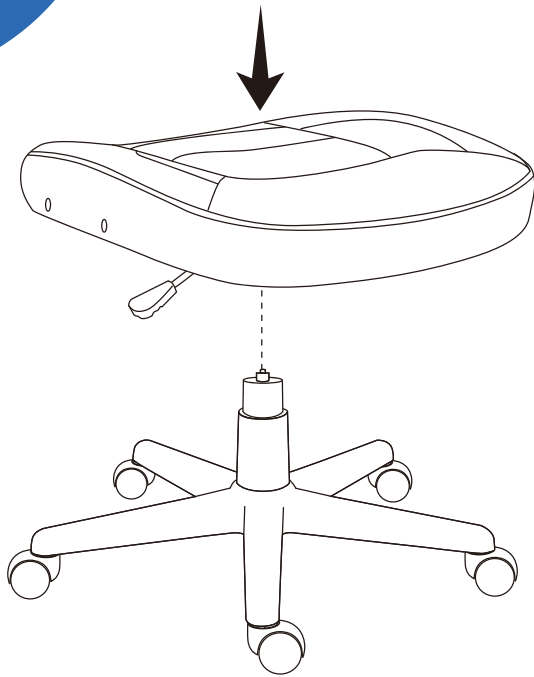
Then fix it with the Bolts **(8)** and Wrench **(11)**.



Note:

Make sure the front of the mechanism and the knob is facing the front of the seat. There is a marking of FRONT on the mechanism and the seat.

5



4 • Step 4:

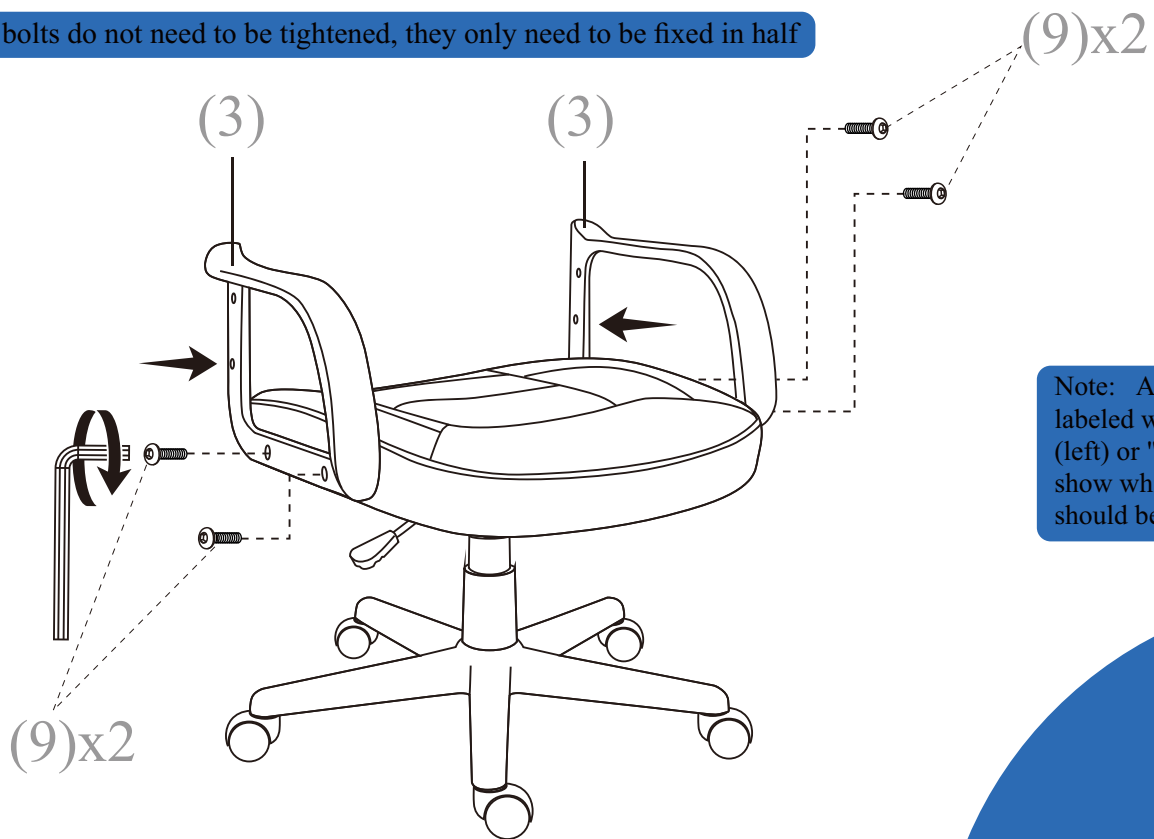
Position the assembled chair upright with the Seat Mechanism (4) facing down. Insert the Gas Lift (5) into the center hole of the Seat Mechanism (4) and press down until fully engaged.

• Step 5:

Fix the right and left Armrests (3) with the Bolts (9).

5

All bolts do not need to be tightened, they only need to be fixed in half



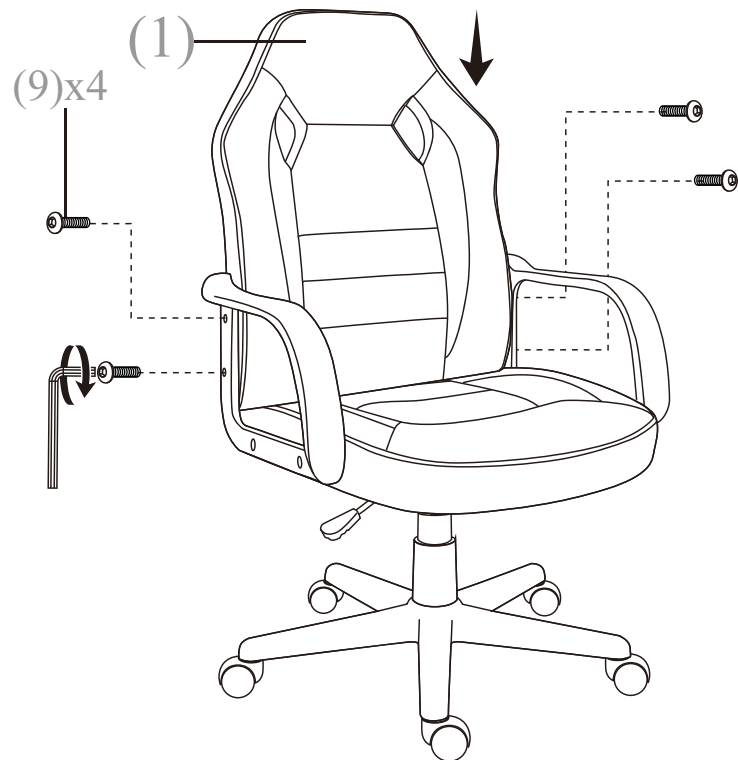
Note: Armrests are labeled with an "L" (left) or "R" (right) to show which sides they should be placed on.

6

• Step 6:

Attach the Backrest **(1)** to the Armrest **(3)**. Use the Wrench **(11)** to screw Bolts **(9)** on the left and right. The installation of the other side is the same.

All bolts do not need to be tightened, they only need to be fixed in half



CAUTION:

Make sure all bolts and screws are fully tightened before using chair. Lubricate all moving parts and tighten all bolts/screws every 6 months or whenever needed.

CARE & MAINTENANCE



DO NOT PUT HOT ITEMS DIRECTLY ON FURNITURE SURFACE.



DO NOT CLEAN FURNITURE WITH HARSH CLEANSERS OR POLISH.



DO NOT PLACE FURNITURE UNDER DIRECT SUNLIGHT.



DO NOT PLACE FURNITURE NEAR HEATING OR COOLING VENTS.



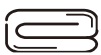
DO NOT WRITE ON FURNITURE WITHOUT A PADDED BARRIER TO PROTECT THE SURFACE.



DO NOT PLACE FURNITURE OUTSIDE, FOR INDOOR USE ONLY.



STAINS MAY BE REMOVED WITH MILD SOAP SOLUTION AND DAMP CLOTH.



DUST AND PICK-UP SPILLS USING A CLEAN, NON-COLORED, LINT-FREE CLOTH.

- **DO NOT** stand on the chair. **DO NOT** use the chair as stepladder.
- Use this product for seating one person at a time.
- **DO NOT** use the chair unless all bolts and screws are firmly secured.
- Avoid contact with sharp objects to prevent puncturing the fabric.
- Every 6 months or whenever needed, check all bolts and screws to ensure they are tight.
- Chair weight limit not to exceed **250 LBS.**