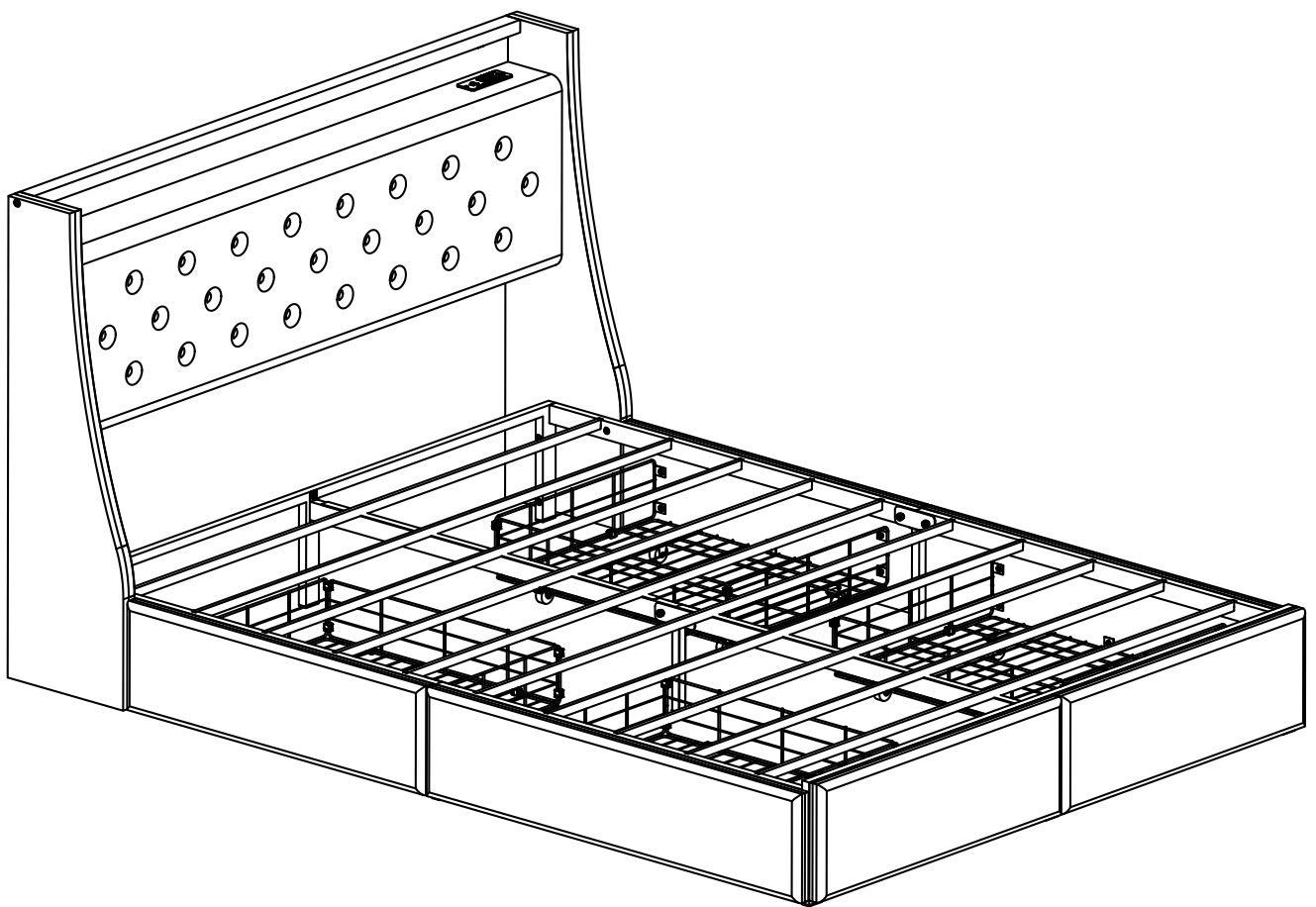
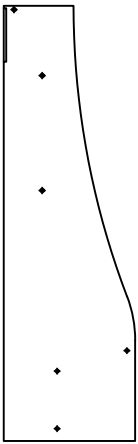
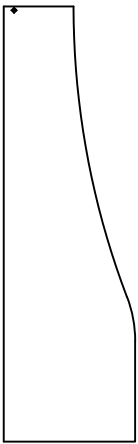
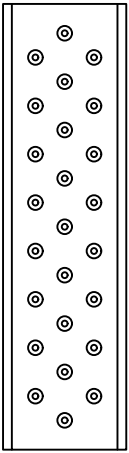
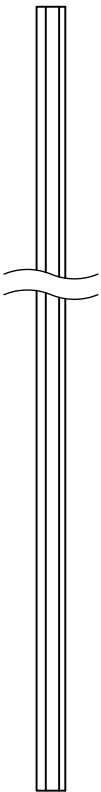
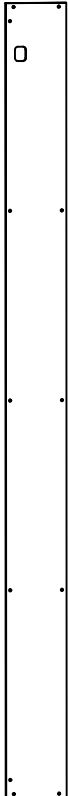
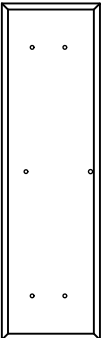
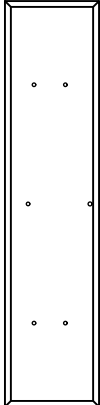
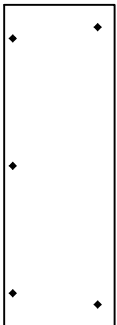
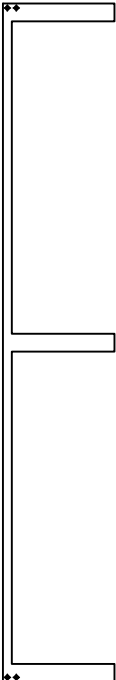

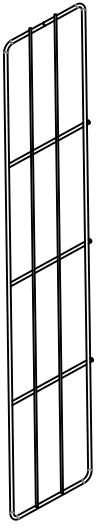
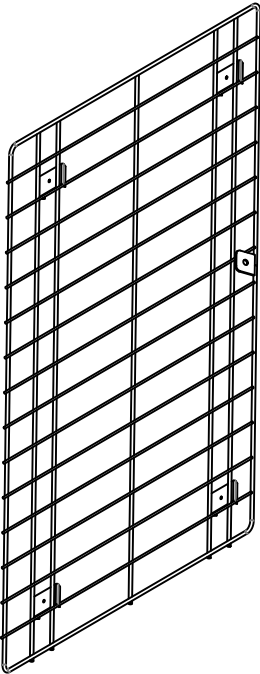

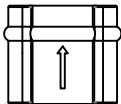

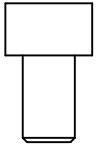


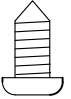

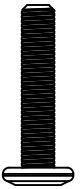
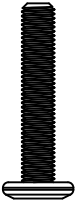

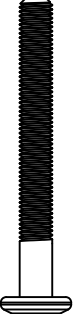

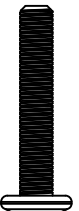
# Installation & Assembly



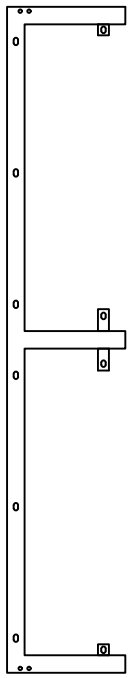
# Parts List:

								
(A1) 1pcs	(A2) 1pcs	(B) 1pcs	(C) 1pcs	(D) 1pcs	(E) 2pcs	(F) 2pcs	(G) 2pcs	(H) 1pcs

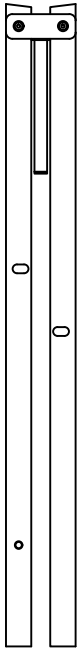
						
(Z2) 8pcs	(Z3) 4pcs	(Z4) 4pcs	(Z5) 16pcs	(Q1) 42pcs	(Z6) 18pcs	(Z8) 4pcs

							
M4x15mm	M6x15mm	M6x30mm	M6x40mm	M6x45mm	M6x55mm	M8x15mm	M8x35mm
(V) 16pcs	(T1) 24pcs	(T2) 6pcs	(T3) 4pcs	(T4) 4pcs	(T5) 4pcs	(Y3) 4pcs	(Y1) 8pcs

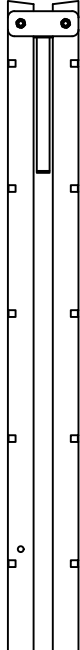
# Parts List:



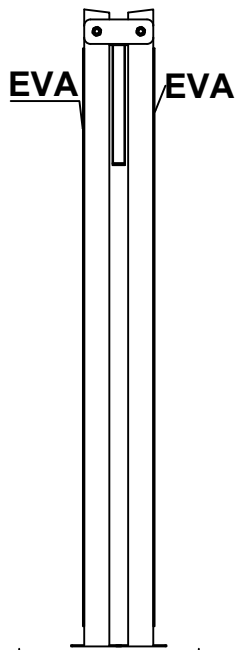
I 1pcs



J 1pcs



K 1pcs



L 1pcs

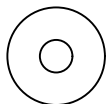


M 6pcs



N 4pcs

Double-sided tape



Ø6xØ18mm

X 8pcs



KEY 4

W 1pcs

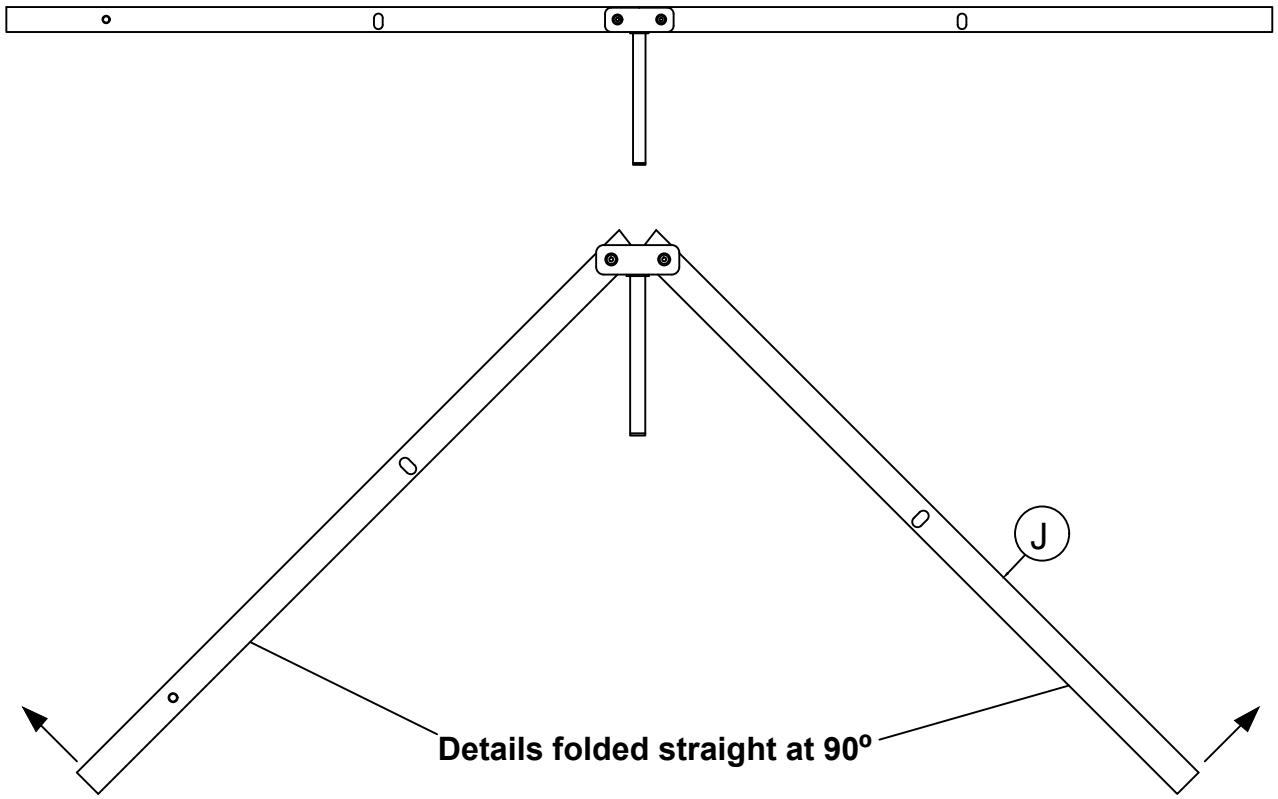


U1 1pcs

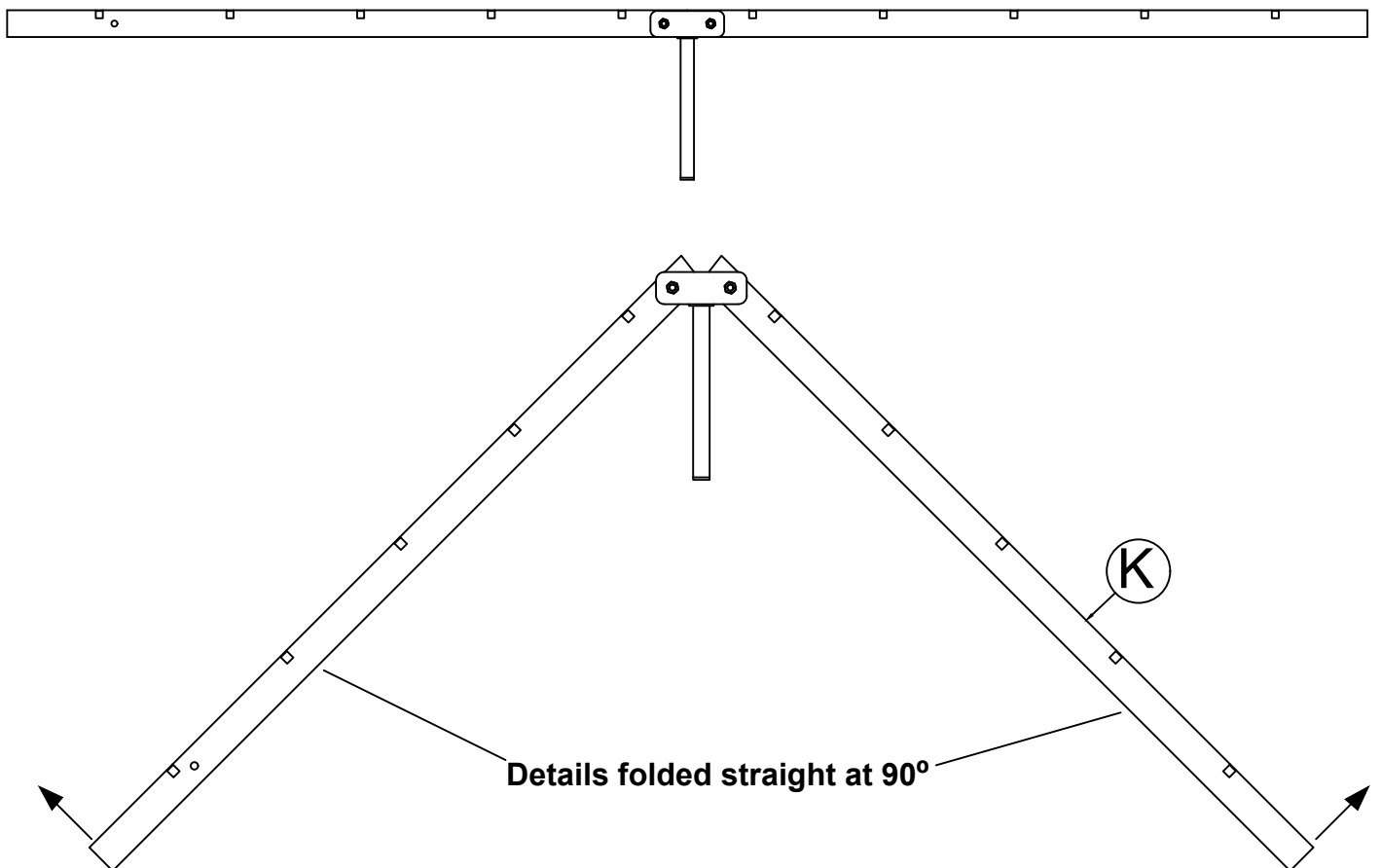


U3 1pcs

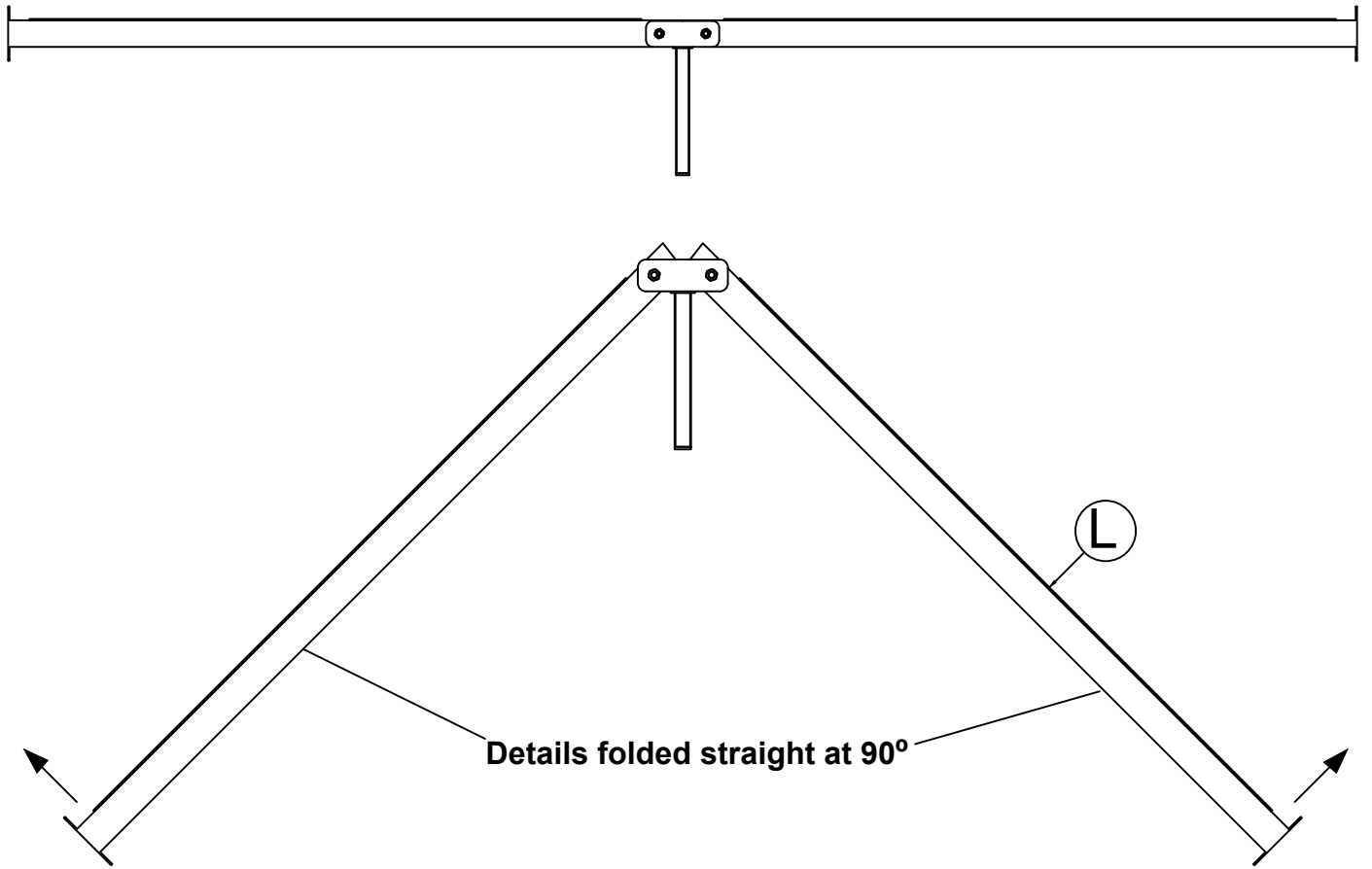
# Step 1



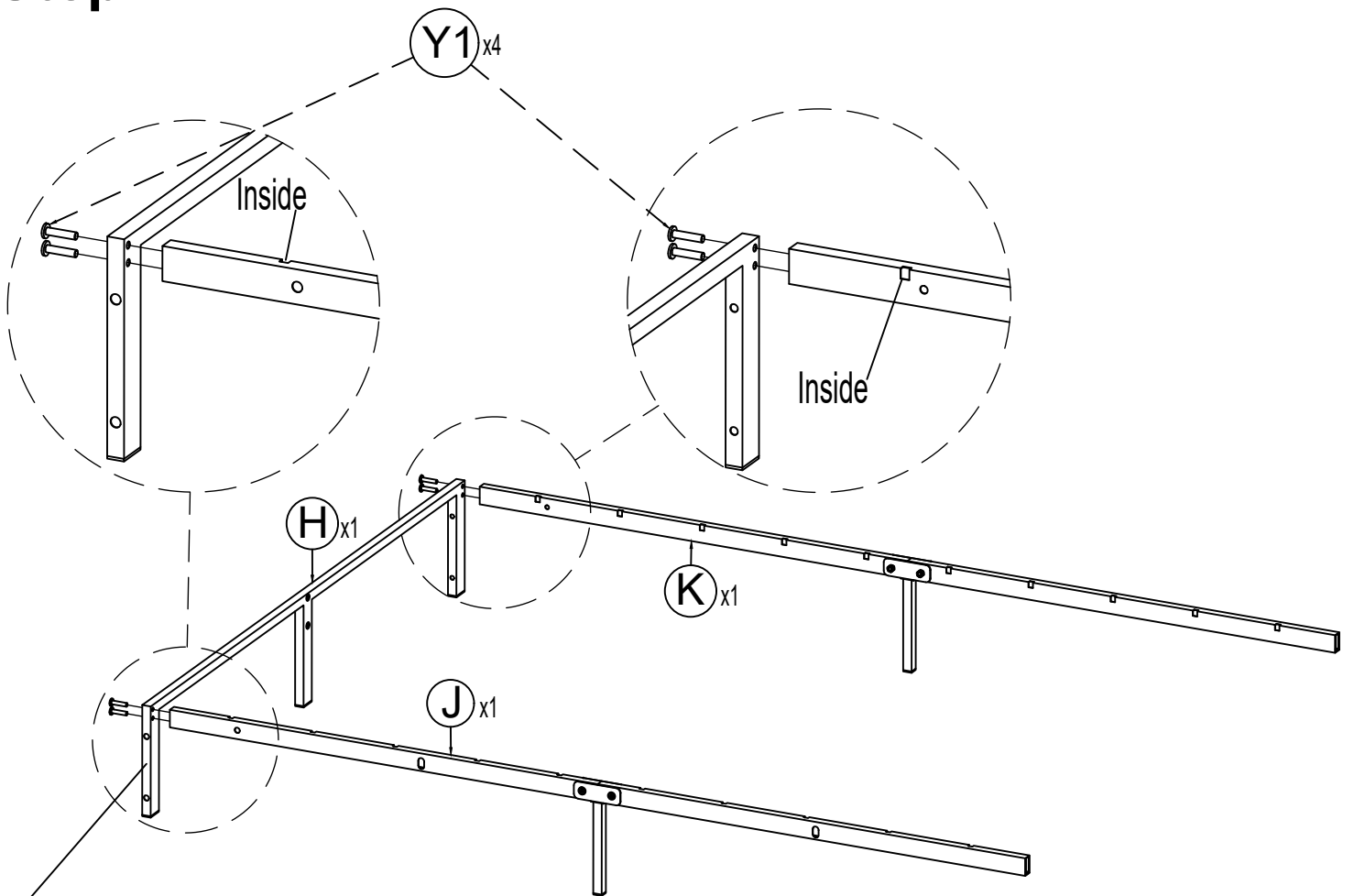
# Step 2



# Step 3

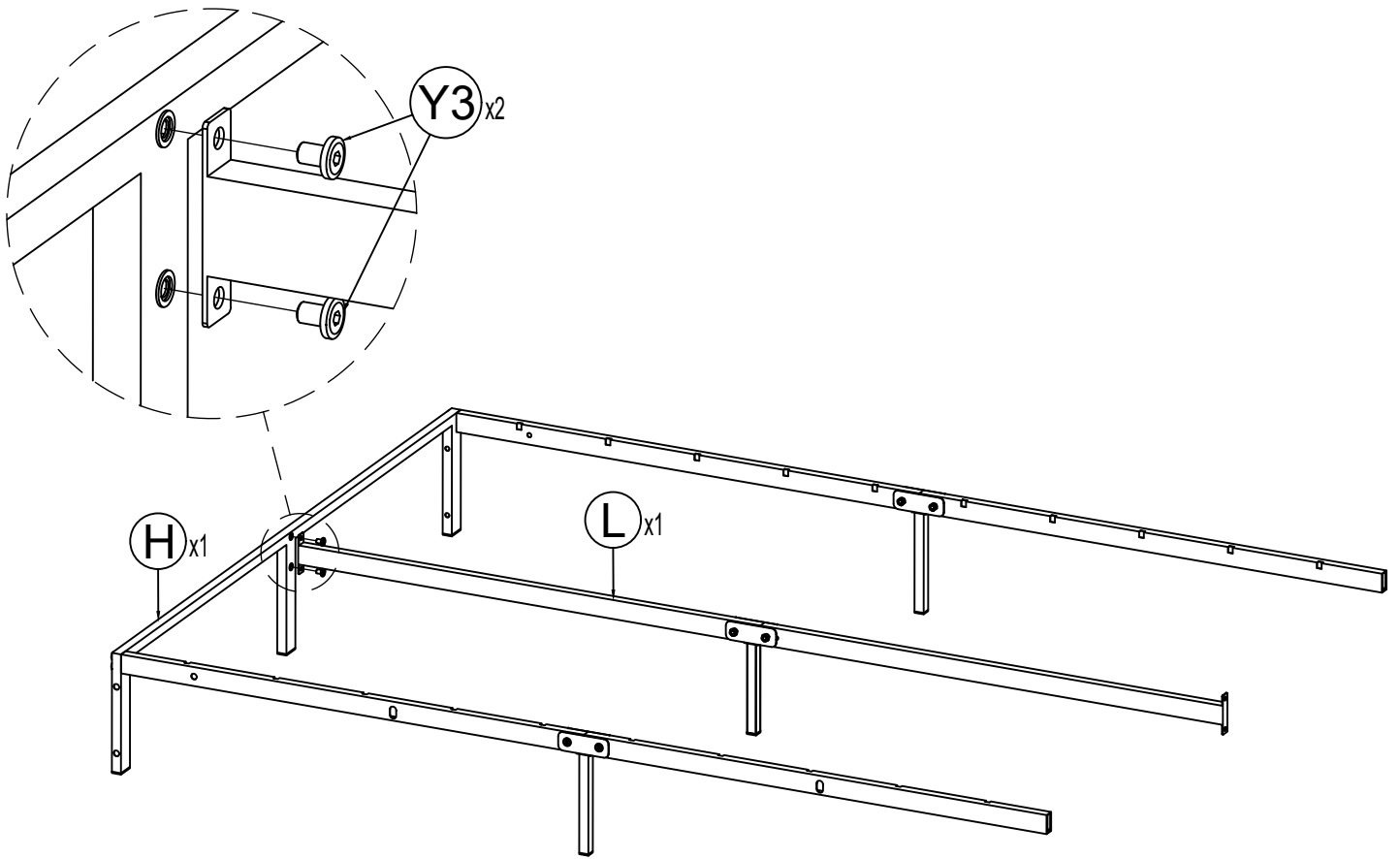


# Step 4

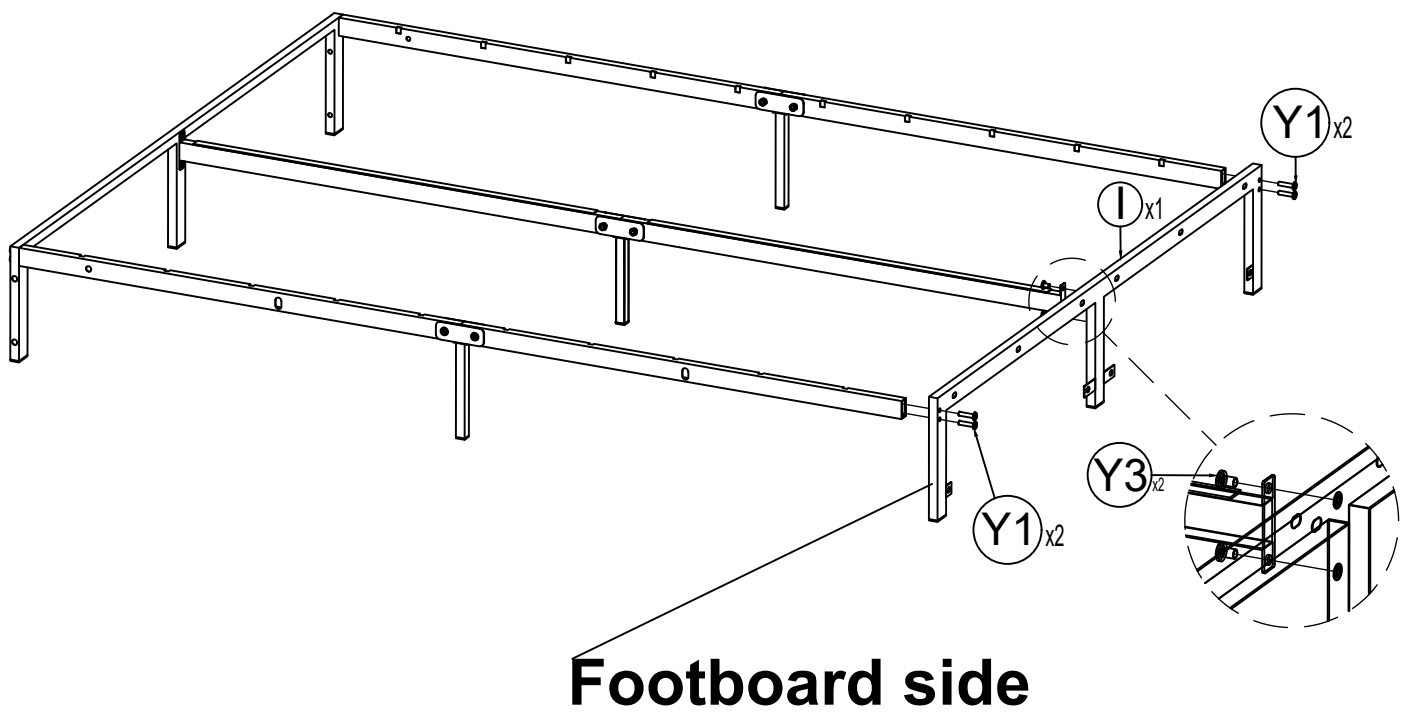


4 Headboard side

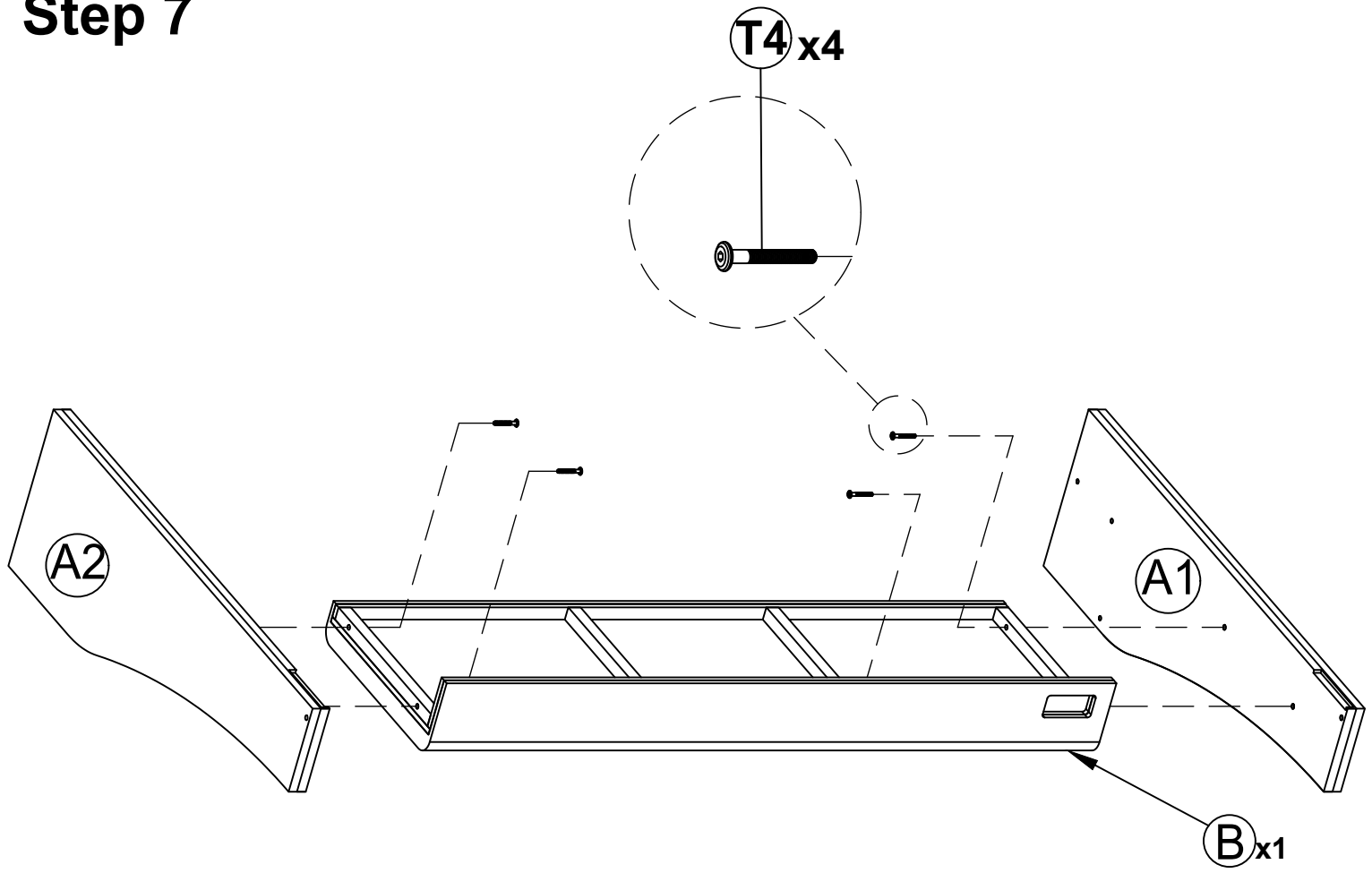
# Step 5



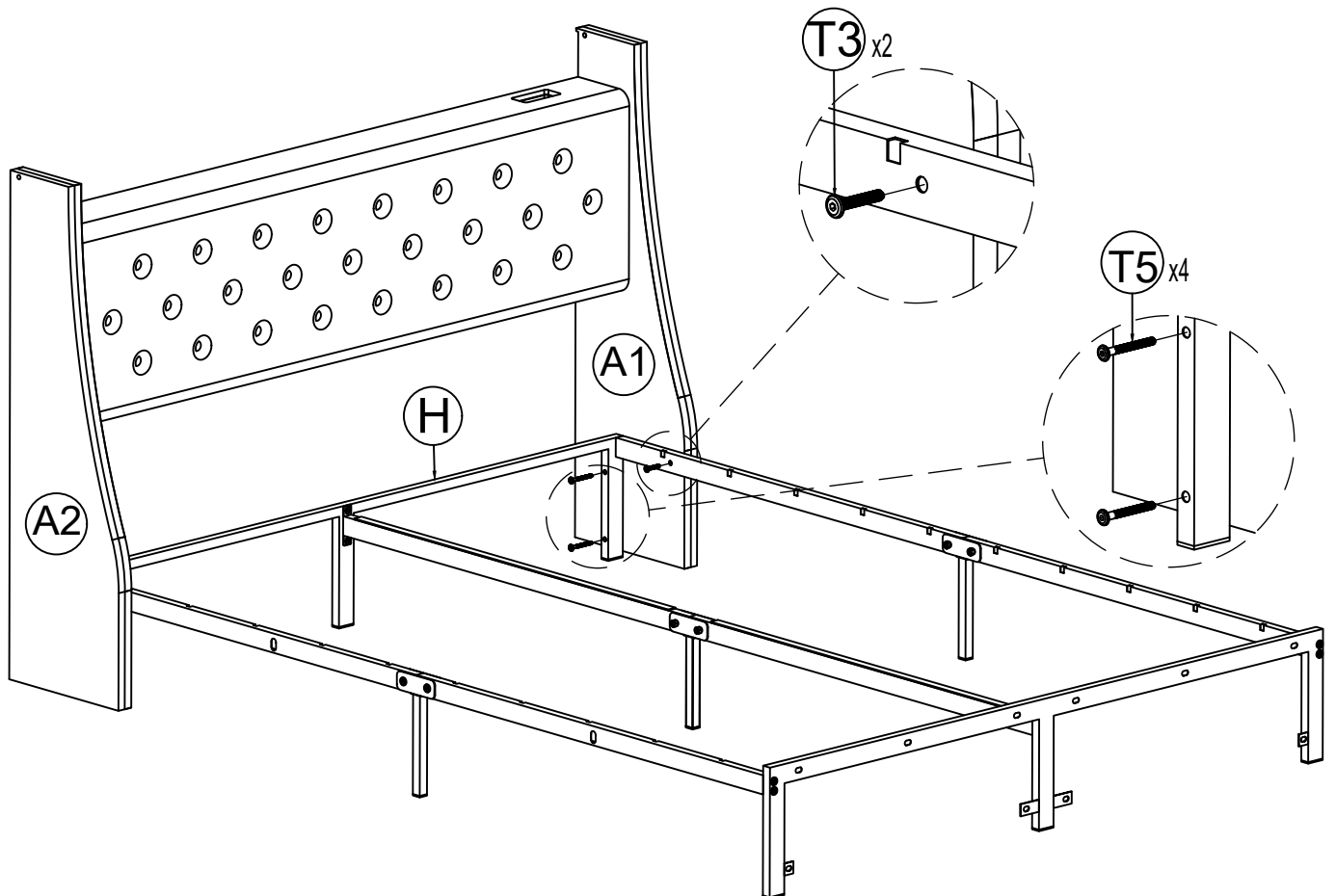
# Step 6



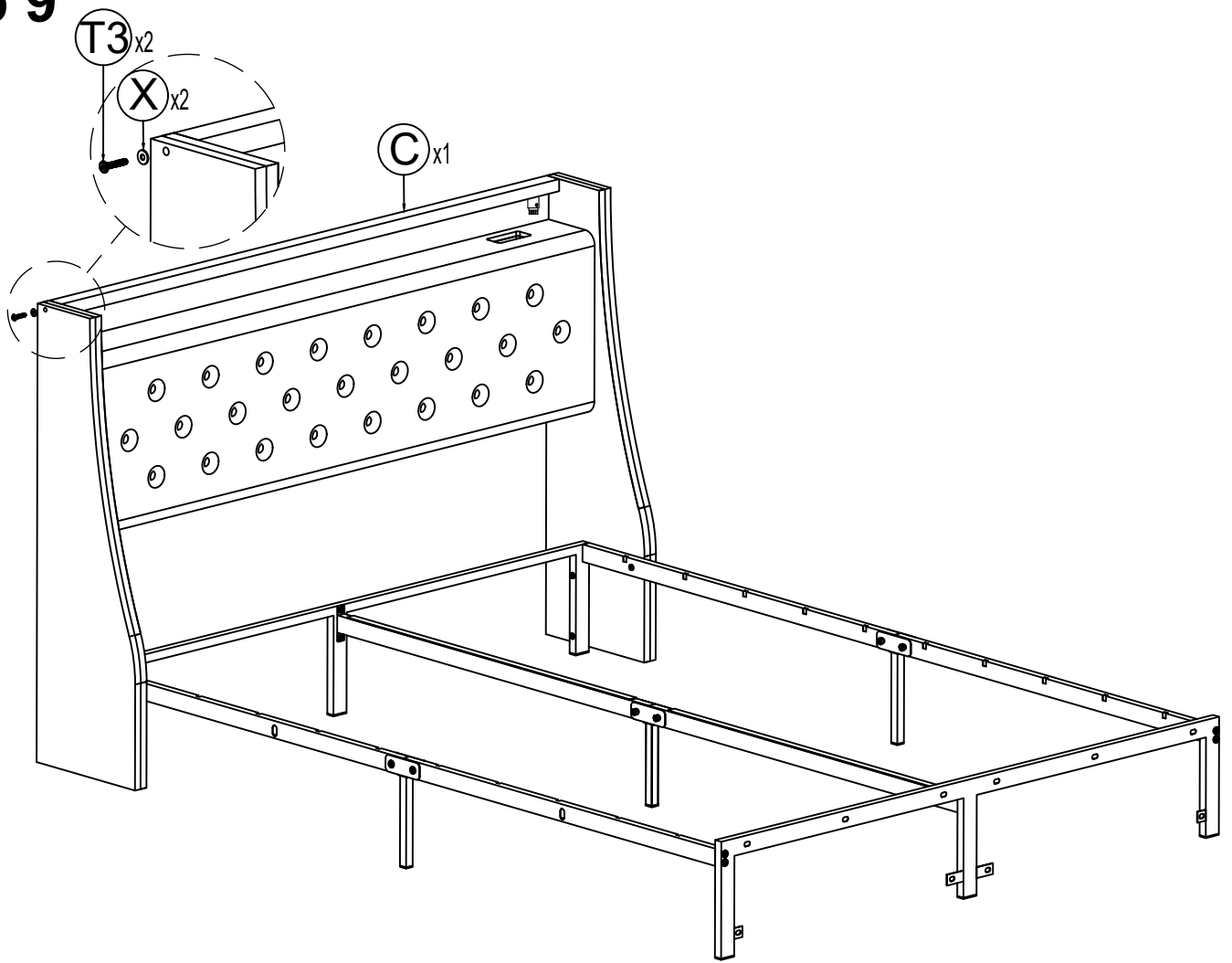
# Step 7



# Step 8

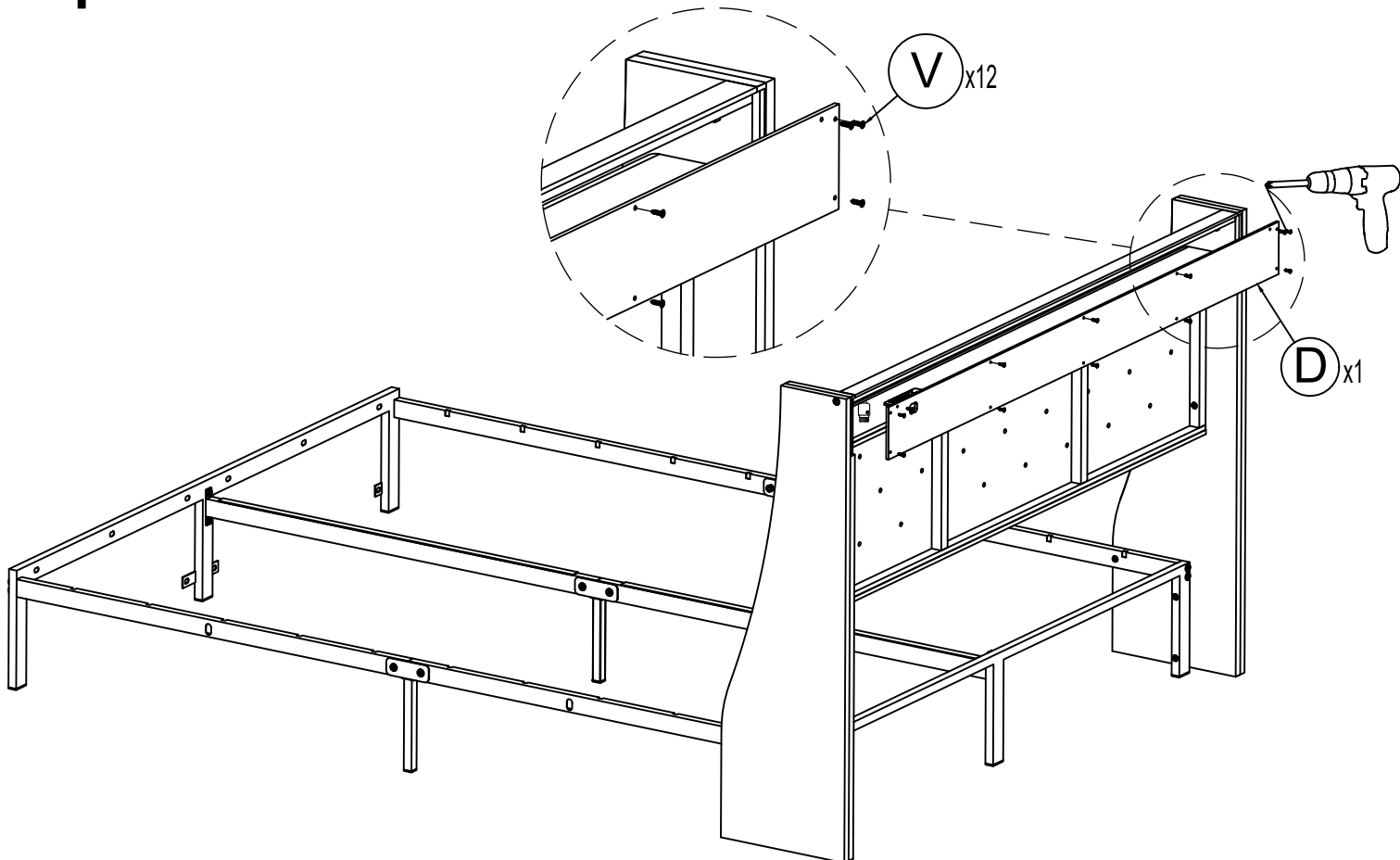


# Step 9

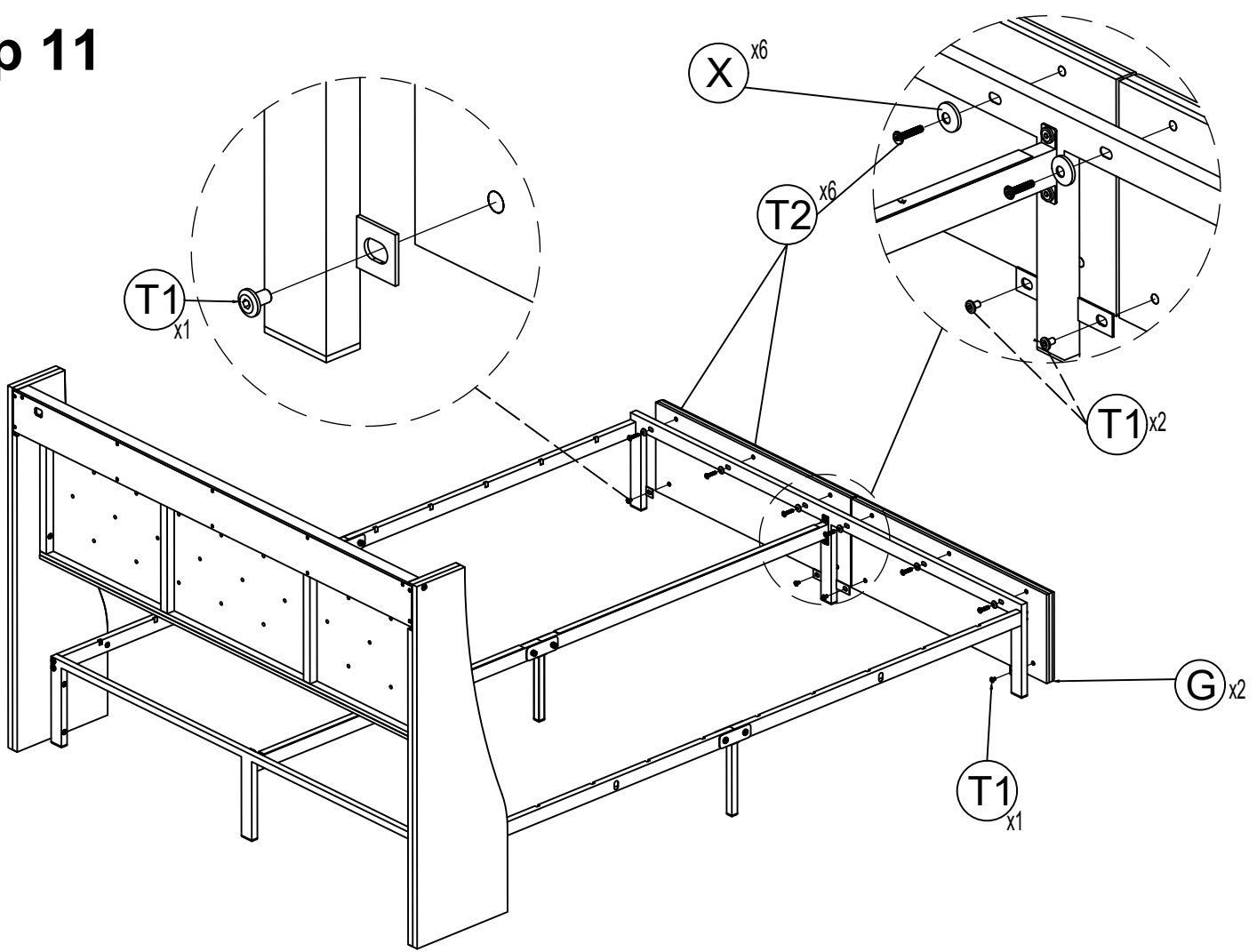


# Step 10

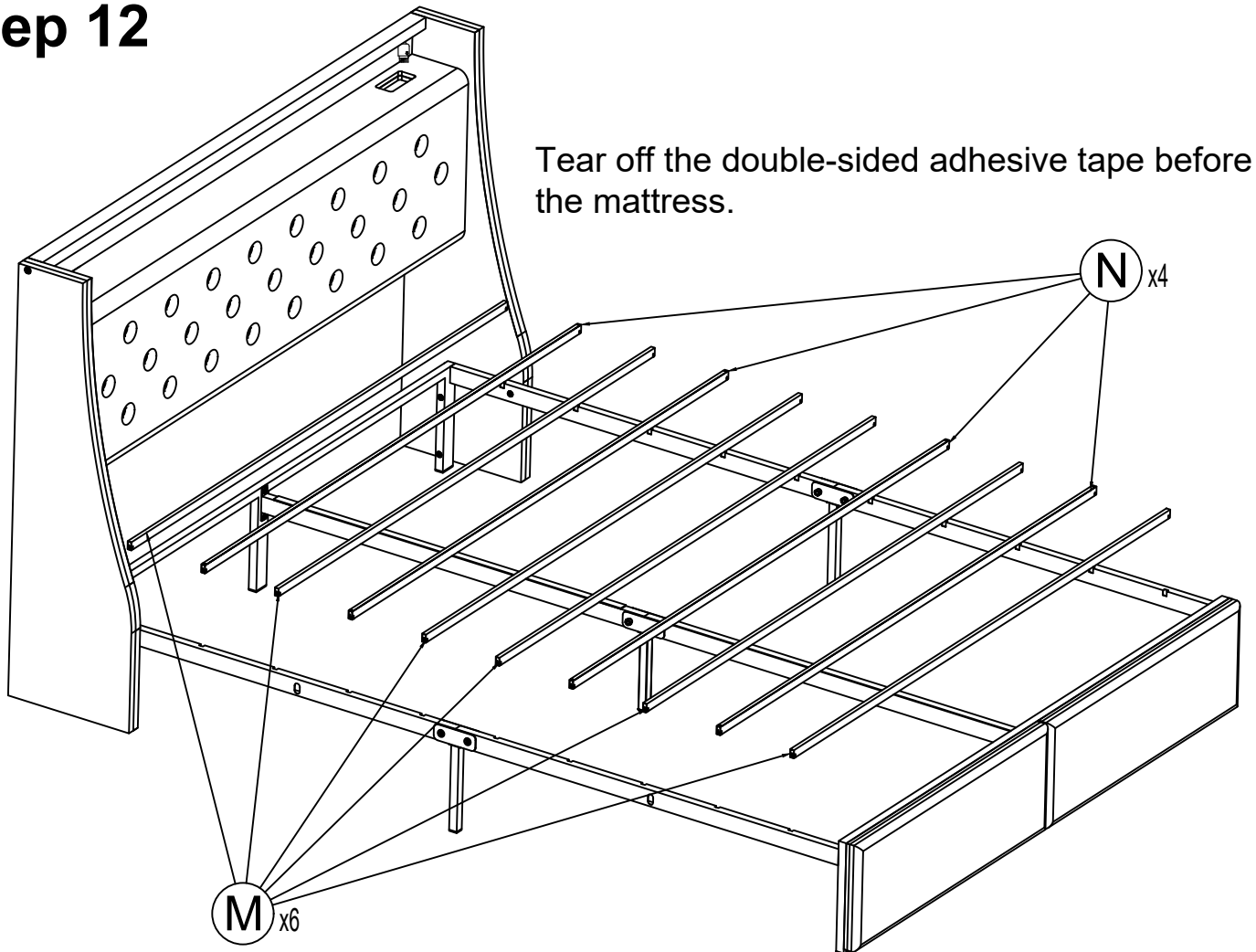
We suggest using drill machine to install "V" screws



# Step 11



# Step 12

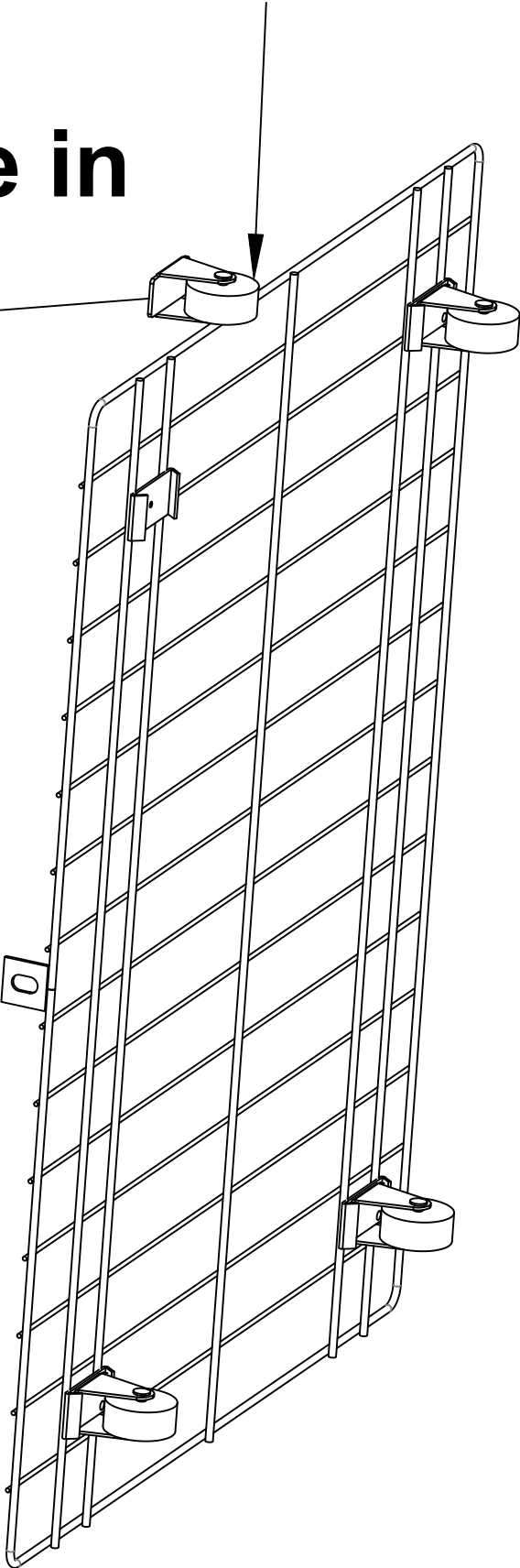




# Step 15

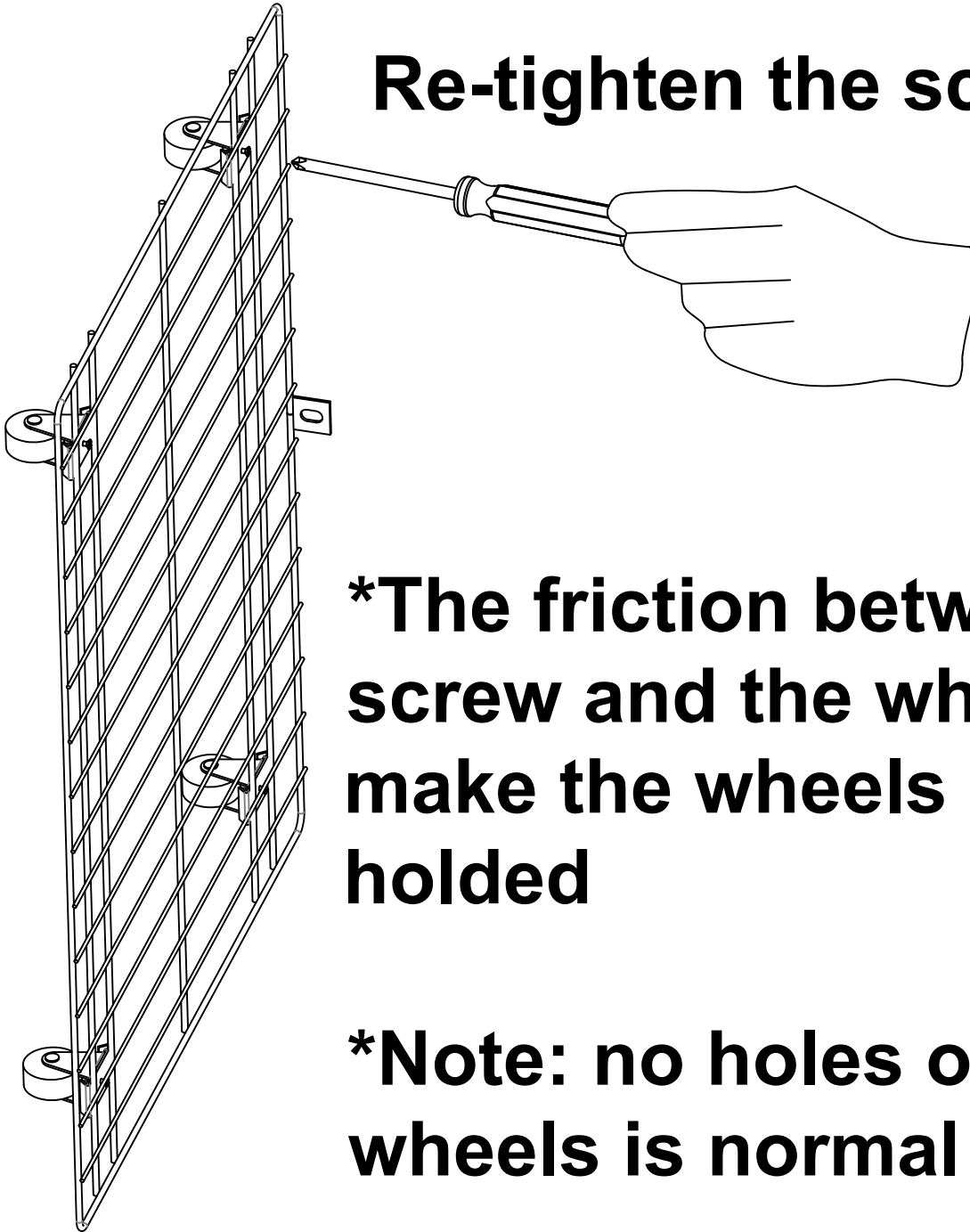
## Slide in

**Z5**



## Step 16

### Re-tighten the screws

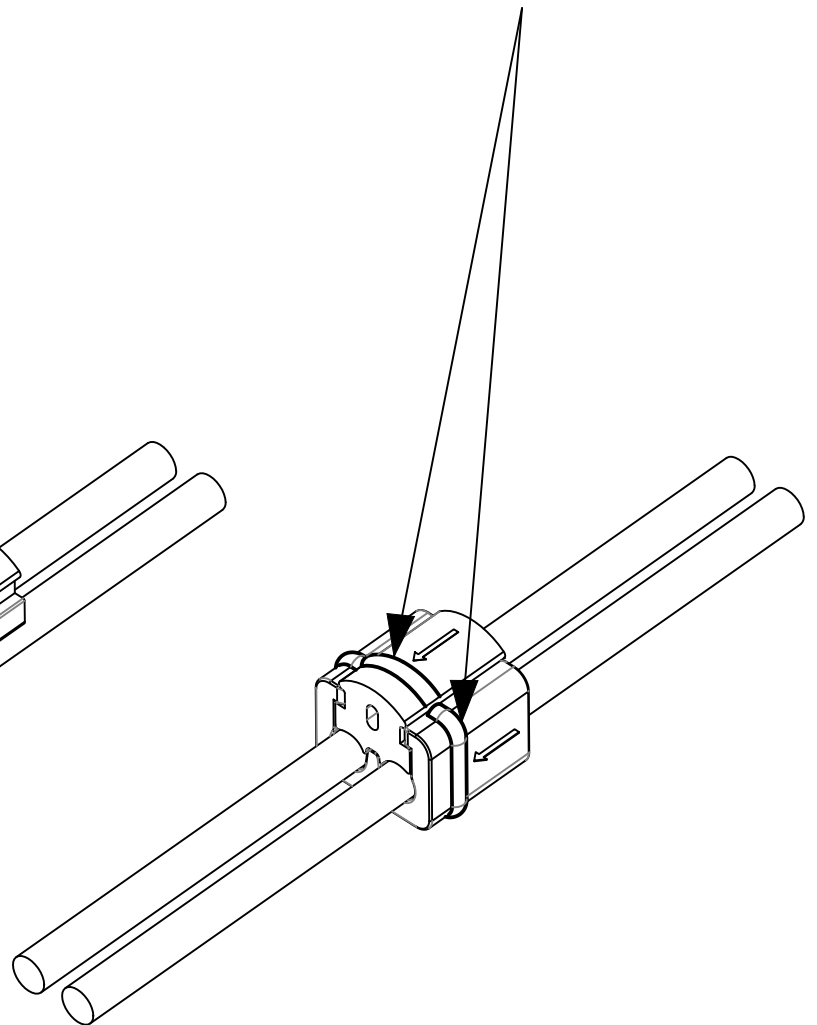
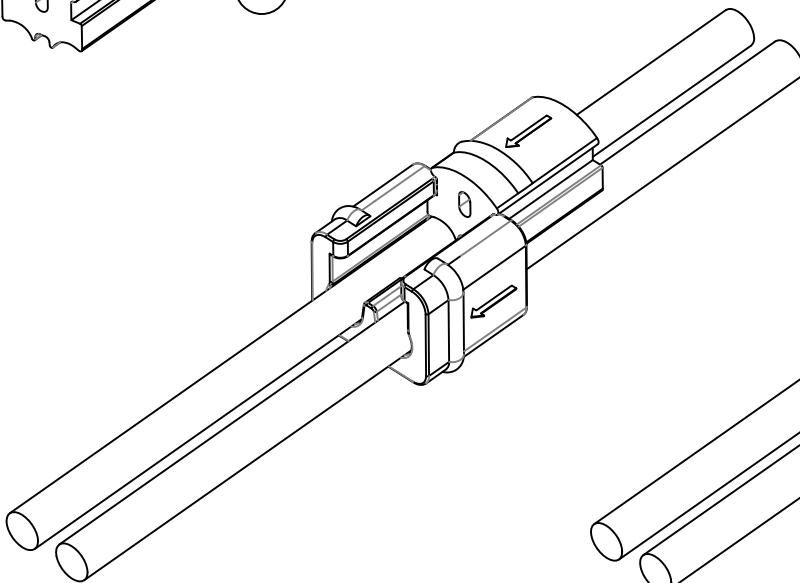
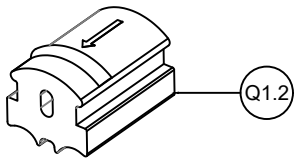
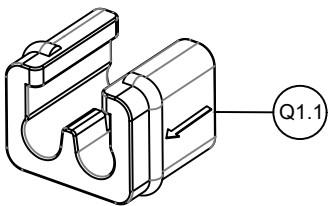


**\*The friction between the screw and the wheels will make the wheels can be holded**

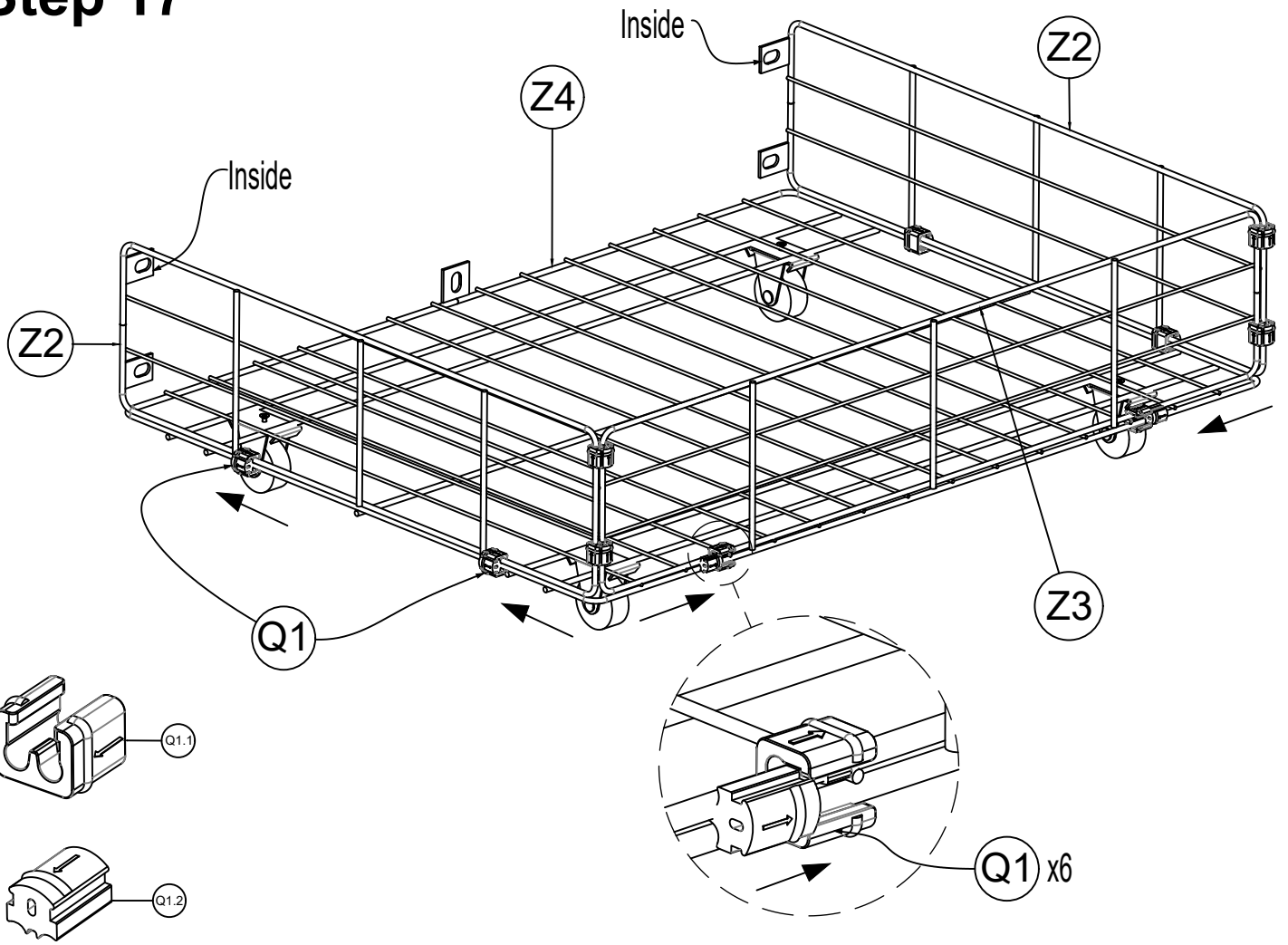
**\*Note: no holes on the wheels is normal**

# Detailed assembly instructions Q1

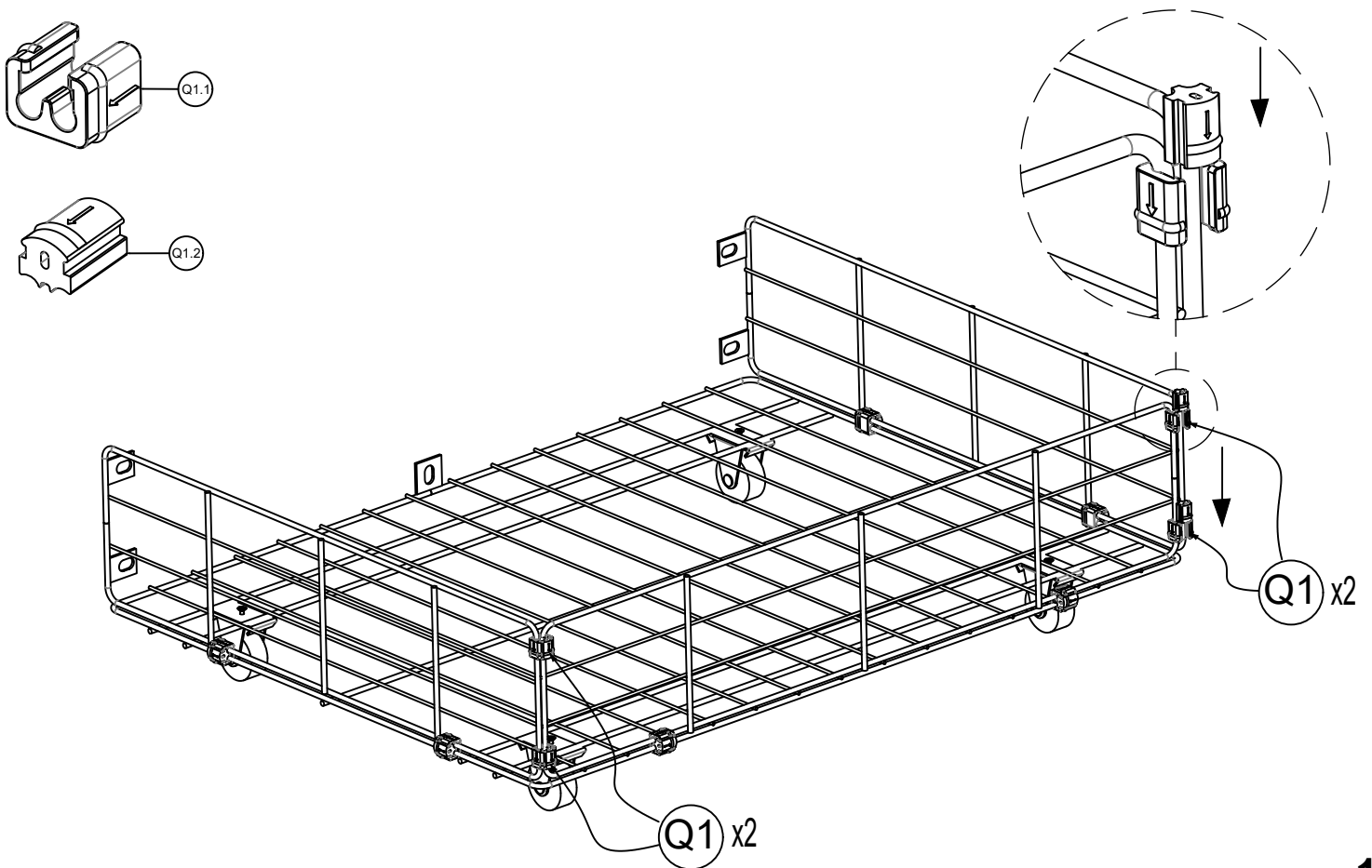
these two  
lines on Q1.1  
and Q1.2 need  
to be matched



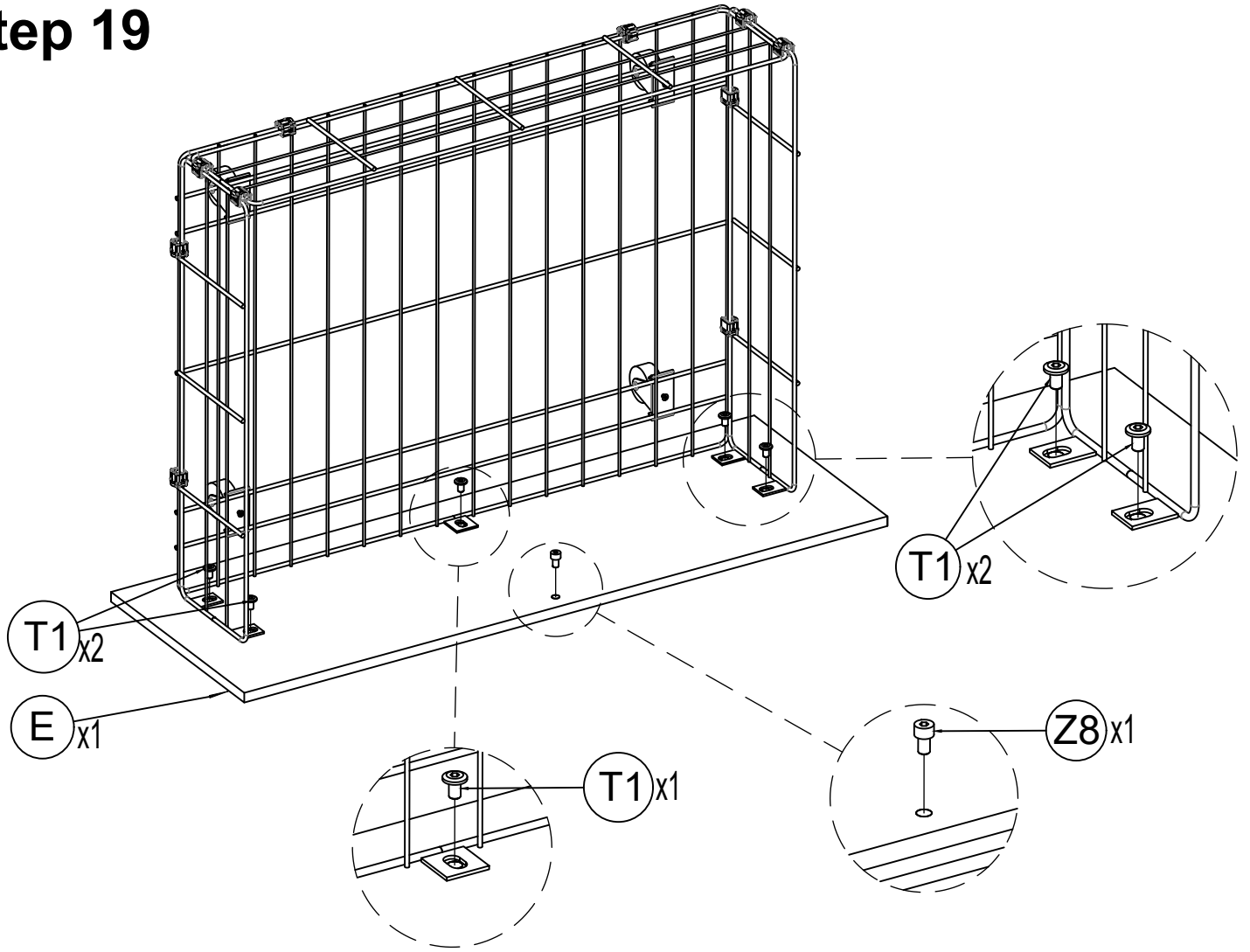
# Step 17



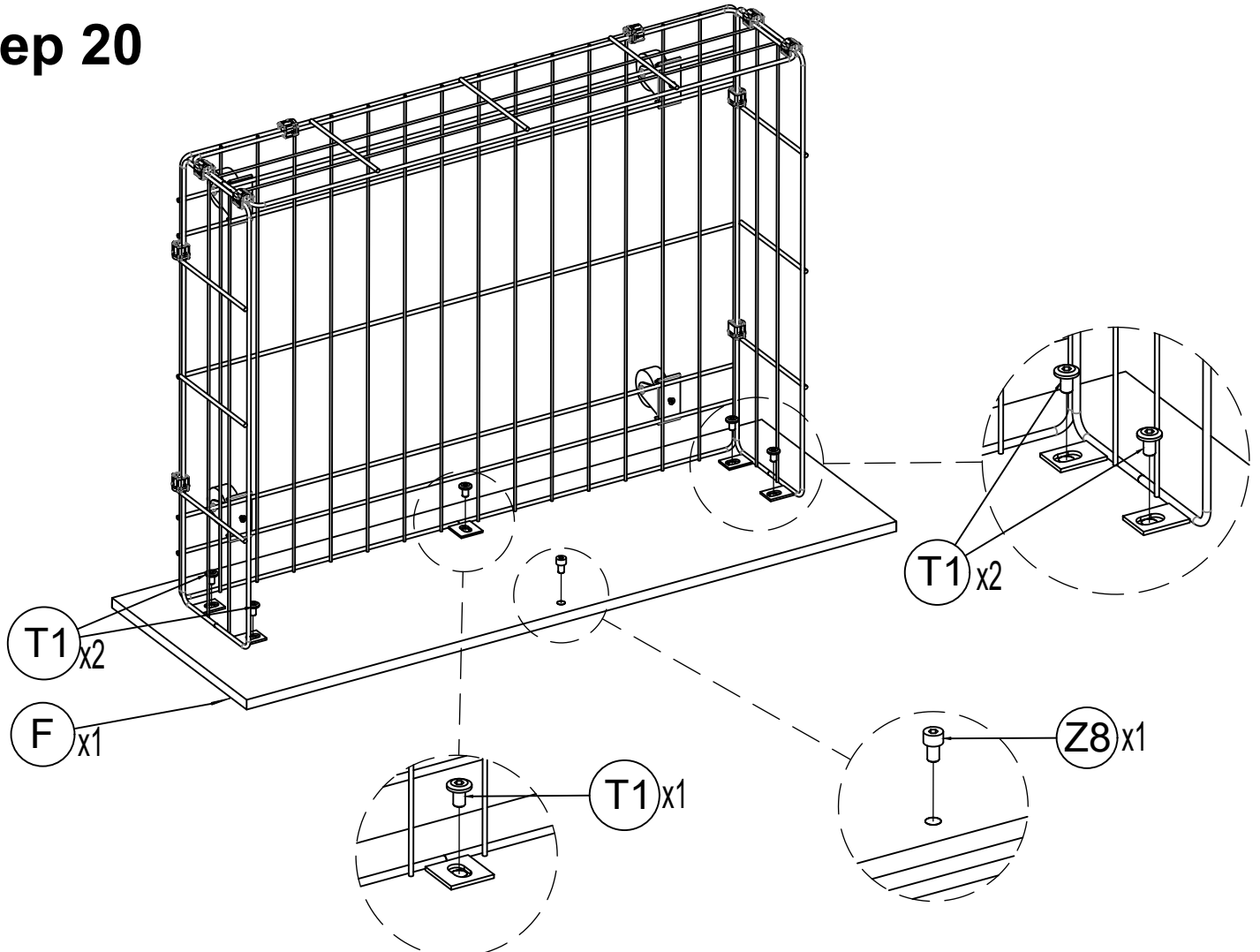
# Step 18



# Step 19

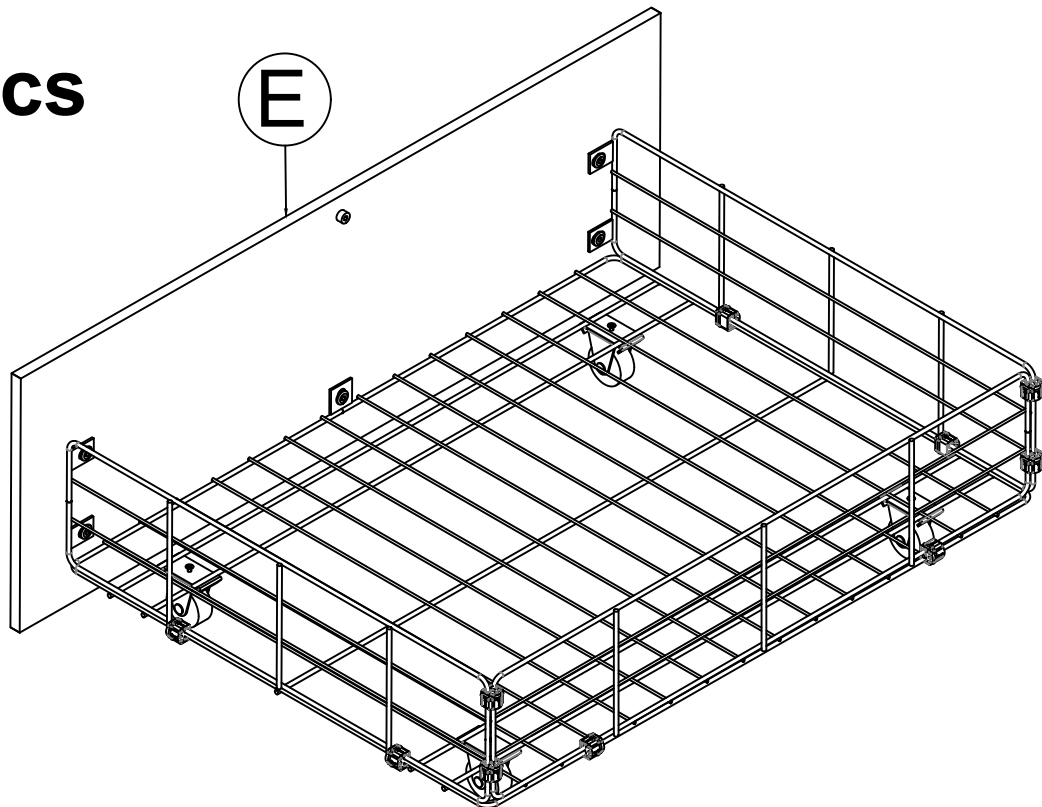


# Step 20



# Step 21

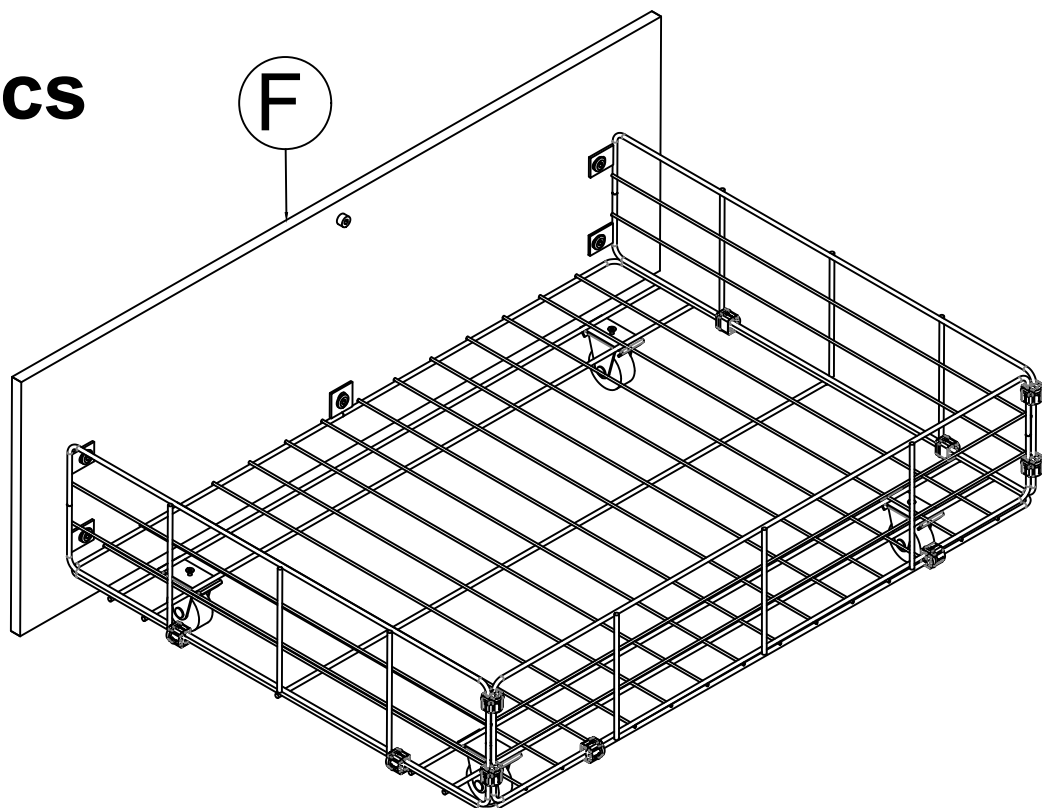
2pcs

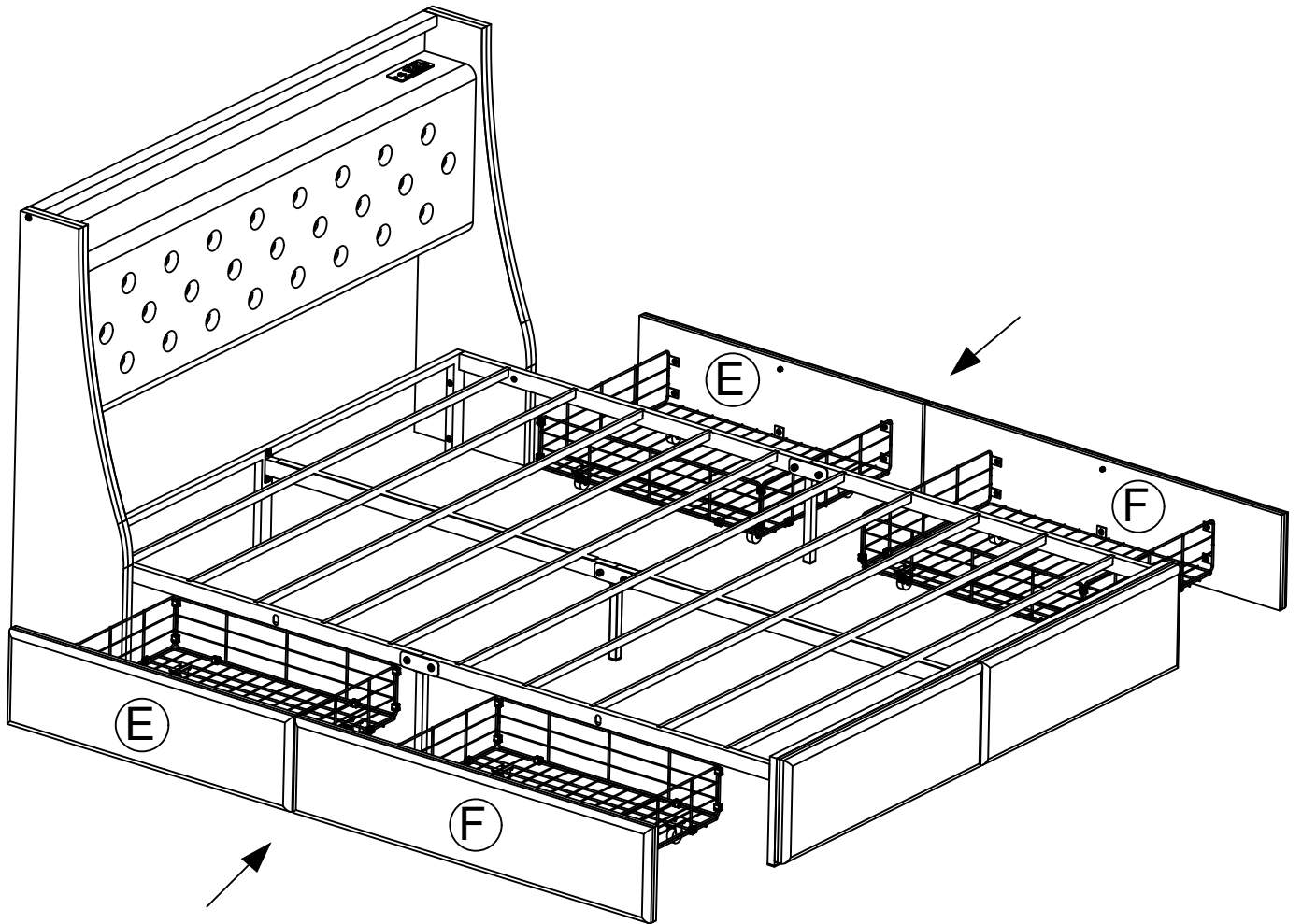


---

# Step 22

2pcs





# REMOTE CONTROL

