

INSTALLATION INSTRUCTION

HSK-WC-011

Dimension: 80.8×23.7×15.7inch

Notice:

1. Follow the installation instructions. Please confirm all accessories are preset before installation.
2. Do not fully tighten the screws during initial assembly. Fully tighten screws only once all pieces which are correctly assembled.


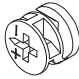

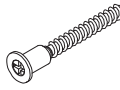




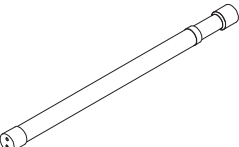
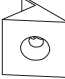

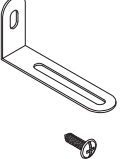
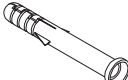
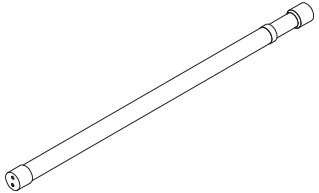
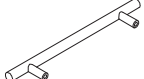

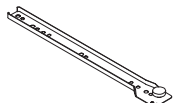
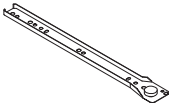
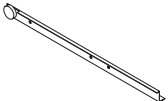
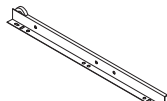
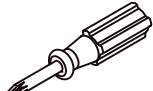
Support:

Thank you for your purchase. We hope you enjoy this item, thoughtfully designed by our team.

Please note that this product is a ready-to-assemble item and includes multiple panels and hardware components. While every effort is made to ensure all parts arrive in perfect condition, in rare cases, some components may be missing or panels may be damaged during transit.

If you discover any missing or damaged parts, please email us before initiating a return. Our customer service team will be happy to assist you and provide replacement parts as needed. Thank you for your understanding.

Email us at: servicehomelovers@hotmail.com

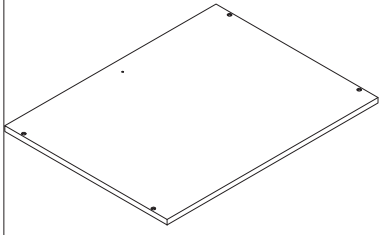
		 Ø6*30	 M5*40	 M3*12	
A×12	B×22	C×10	D×32	E×44	F×4
 M3.5*30	 Ø20				 M3.5*10
G×12	H×54	I×1	J×6	K×10	L×1
 M4*35			 		
M×9	N×4		O×3	CL×3	CR×3
					
DL×3	DR×3	TOOL			


5PCS

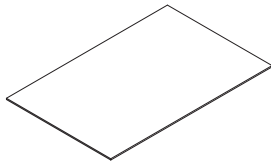
Spare parts for Pre-inserted Nuts, which are used for fastening "A" screw in case of missing inserting nuts by workers.

Accessories List

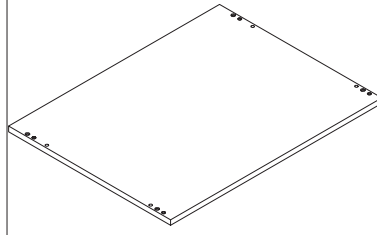
1



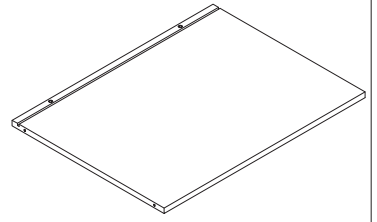
2



3

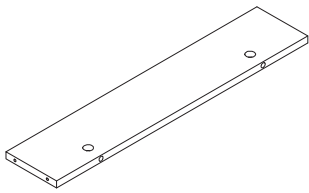


4

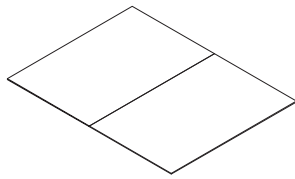


3 PCS

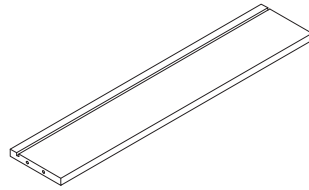
5



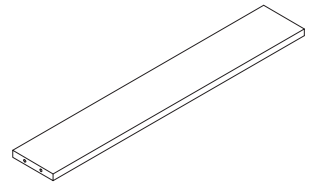
6



7

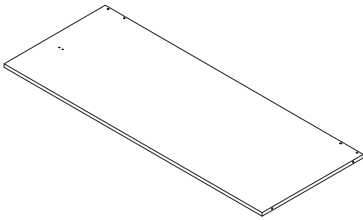


8

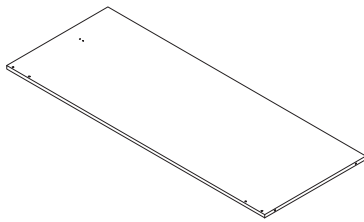


3 PCS

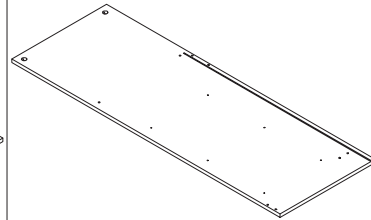
9



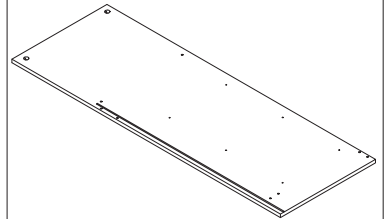
10



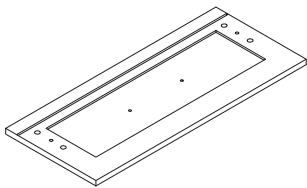
11



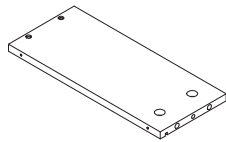
12



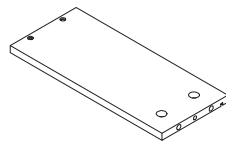
13



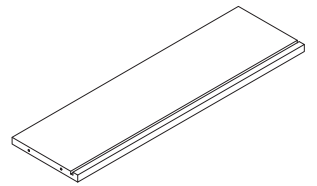
14



15



16

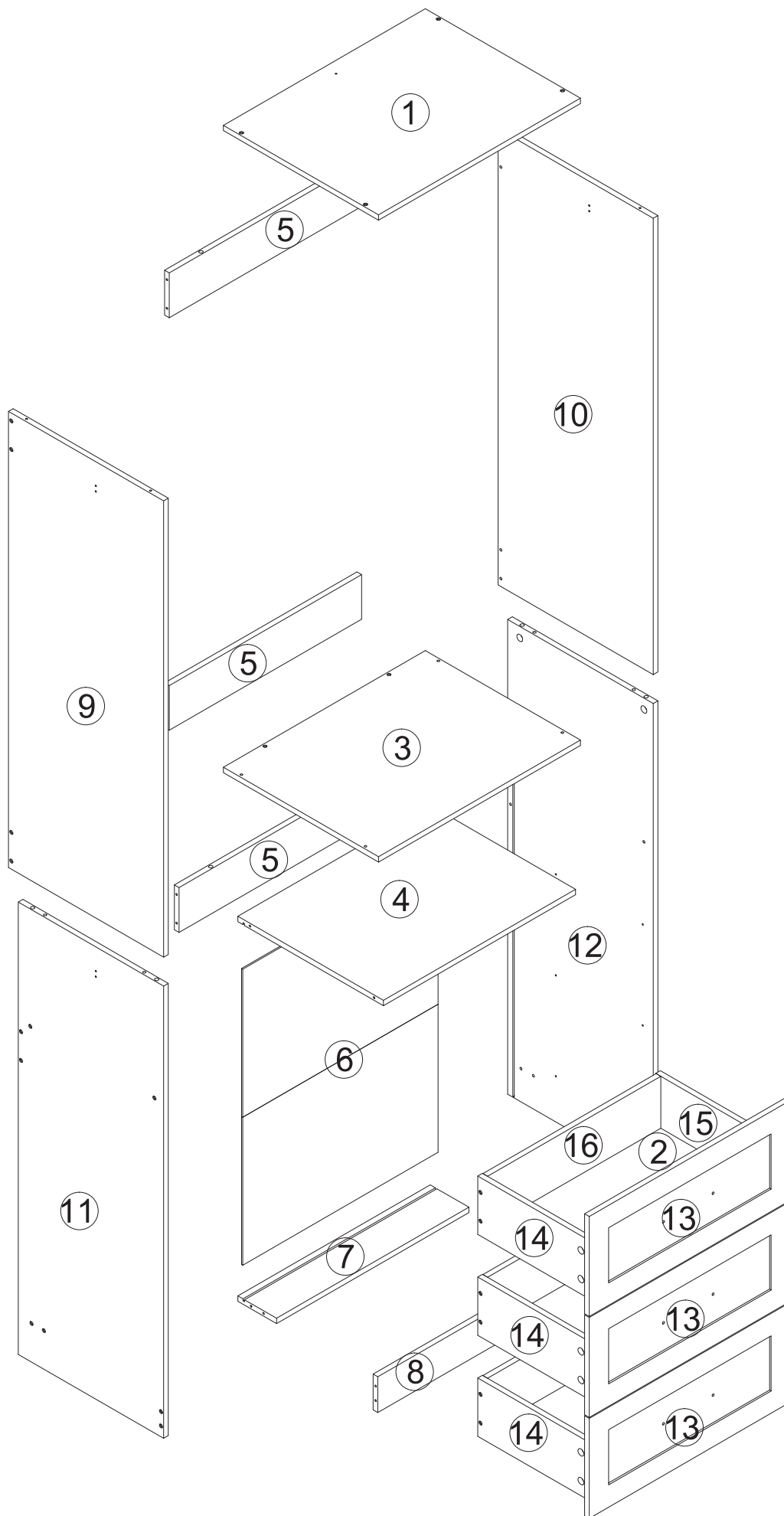


3 PCS

3 PCS

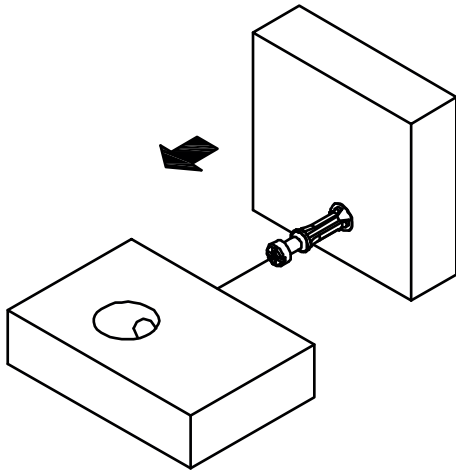
3 PCS

3 PCS

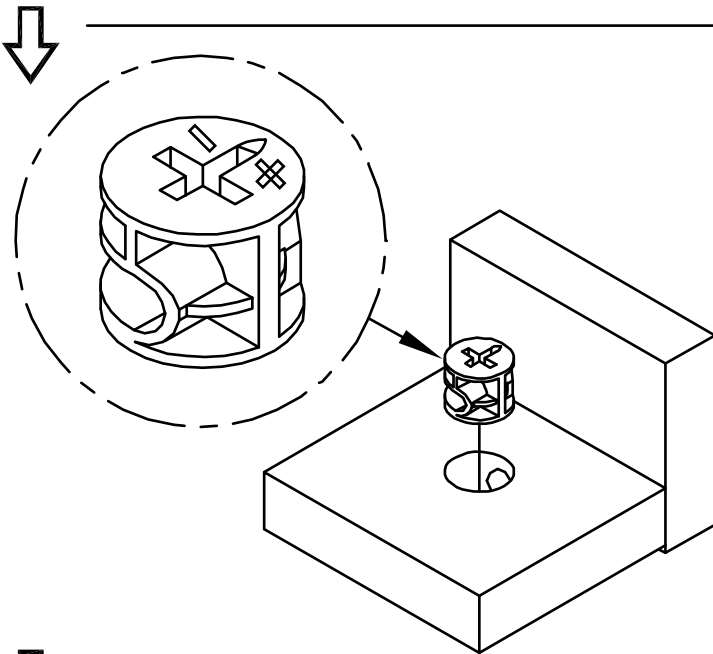


Explosive View

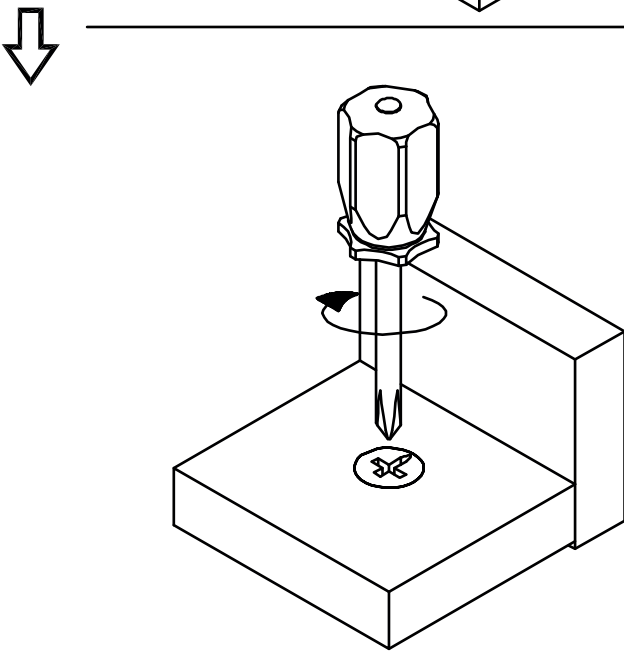
Cam Lock Fastening System



1. Connect the two boards -Insert the long screw "A" into the holes on the other board.

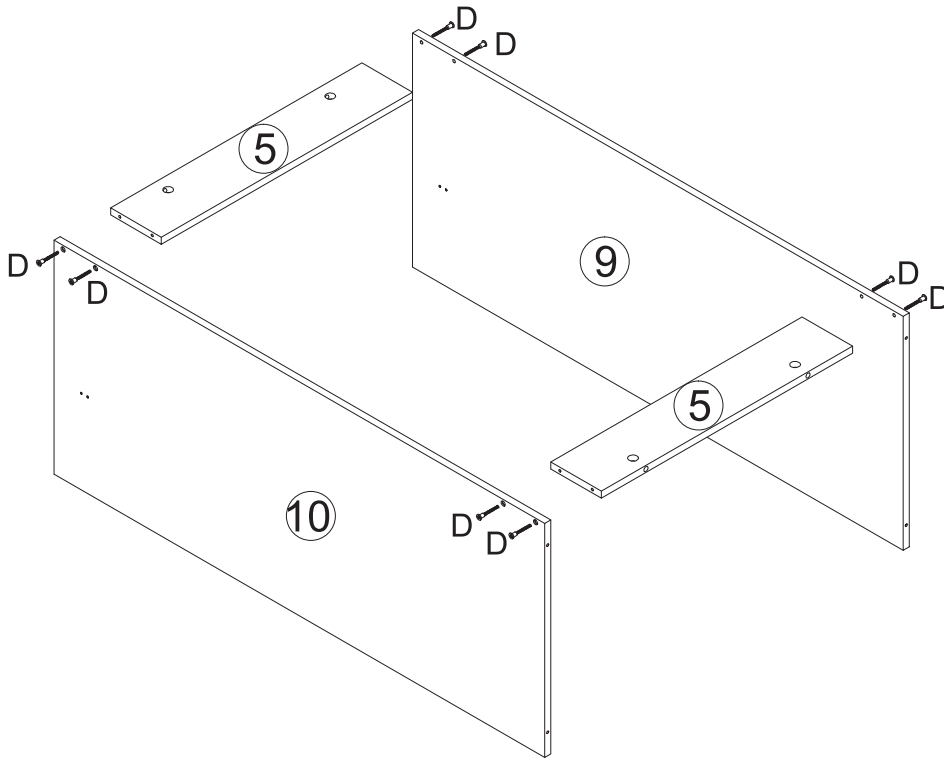


2. You can see the triangle "△" between "△" on hardware "B", insert the "B" as the image shows, please kindly note the direction of "△".



3. Use the tool to lock it.

1



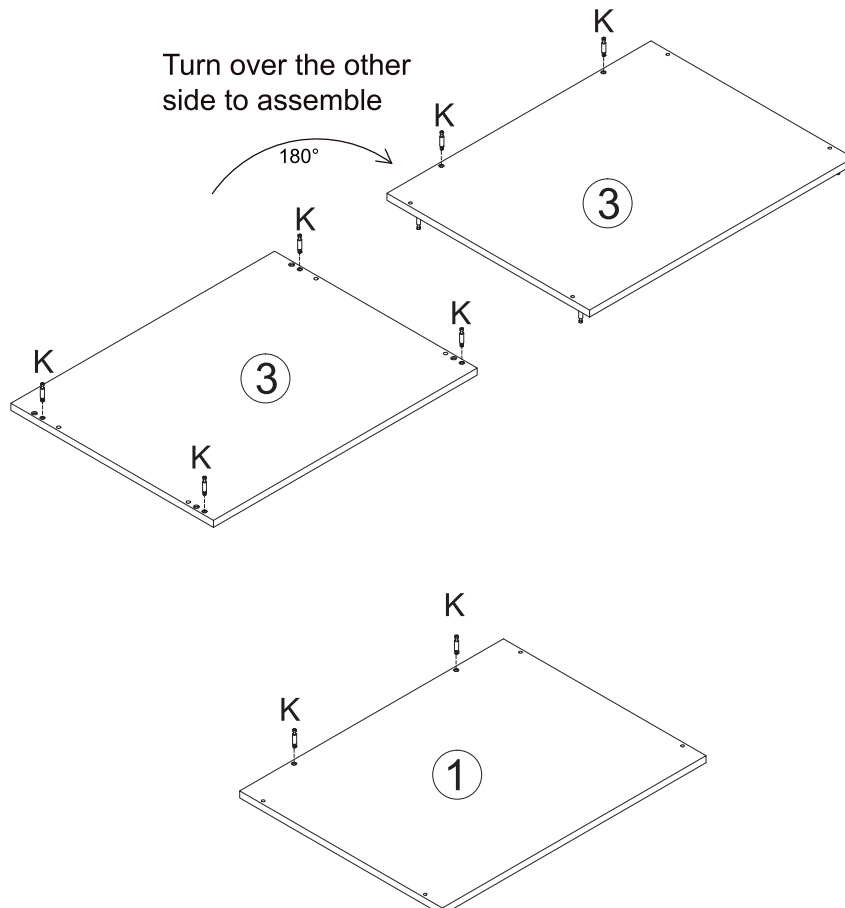
D

M5*40



8PCS

2



K

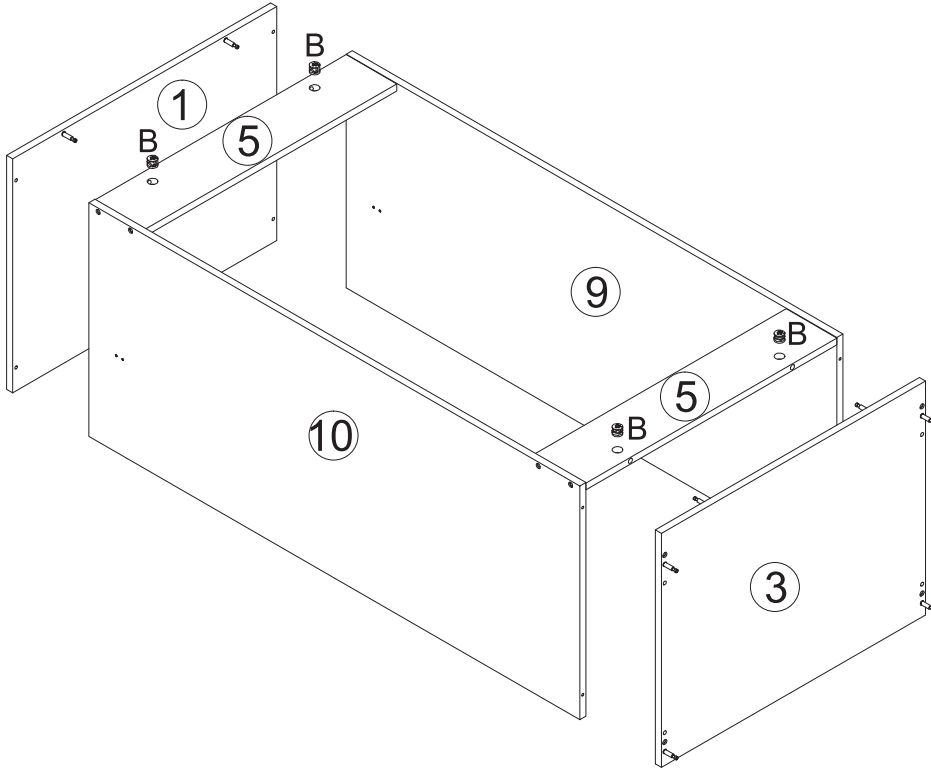


8PCS

3

B

4PCS



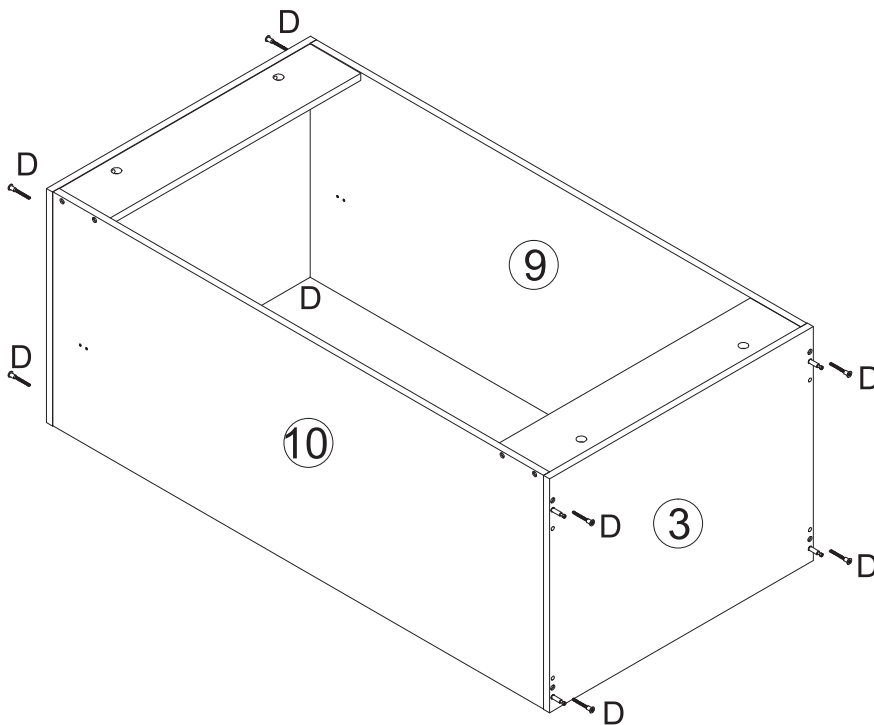
4

D

M5*40



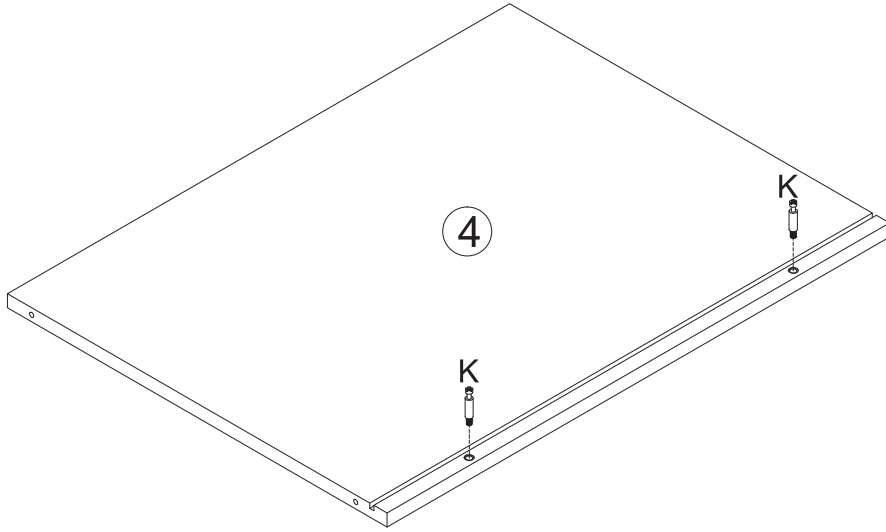
8PCS



5

K

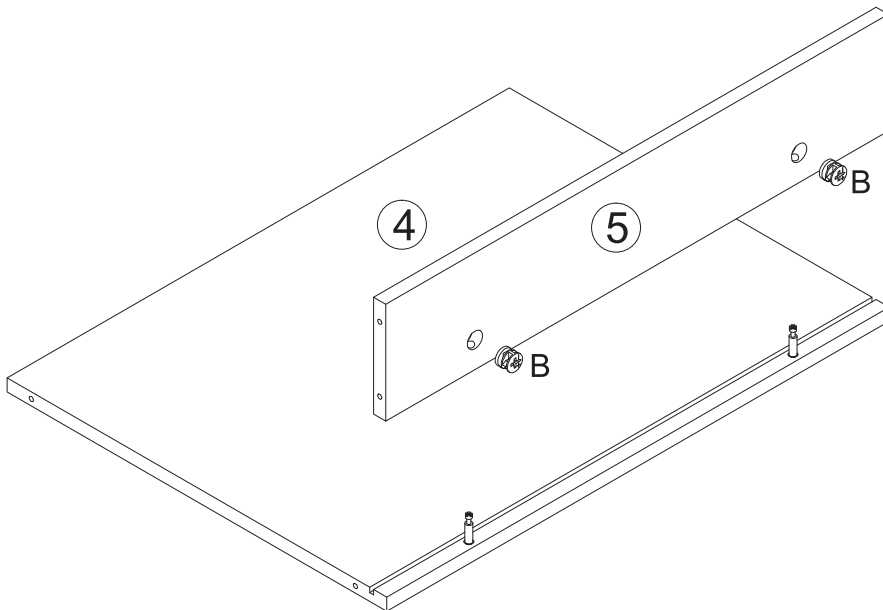
2PCS



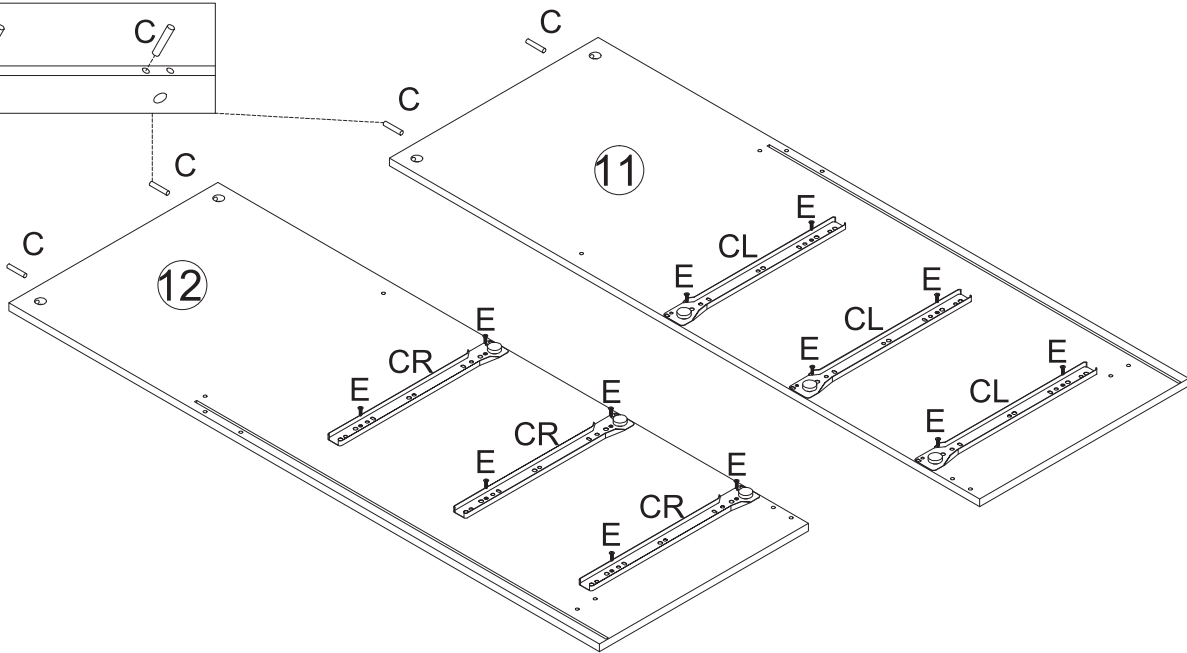
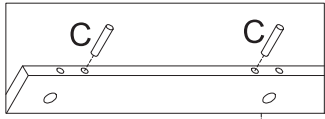
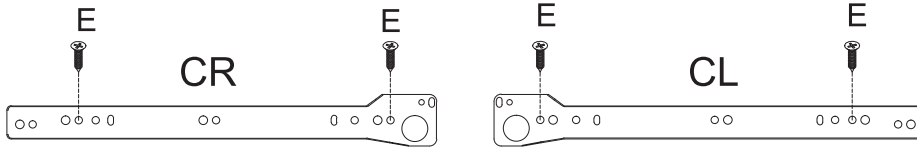
6

B

2PCS



7



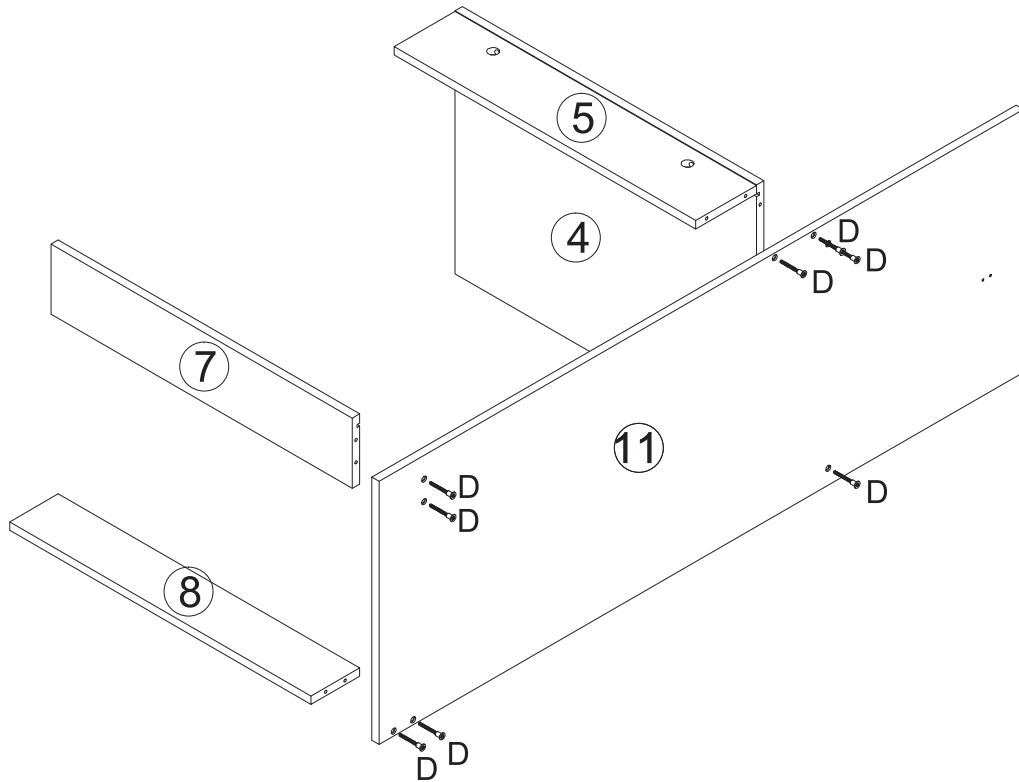
C Ø6*30
4PCS

E M3*12
12PCS

CL
3PCS

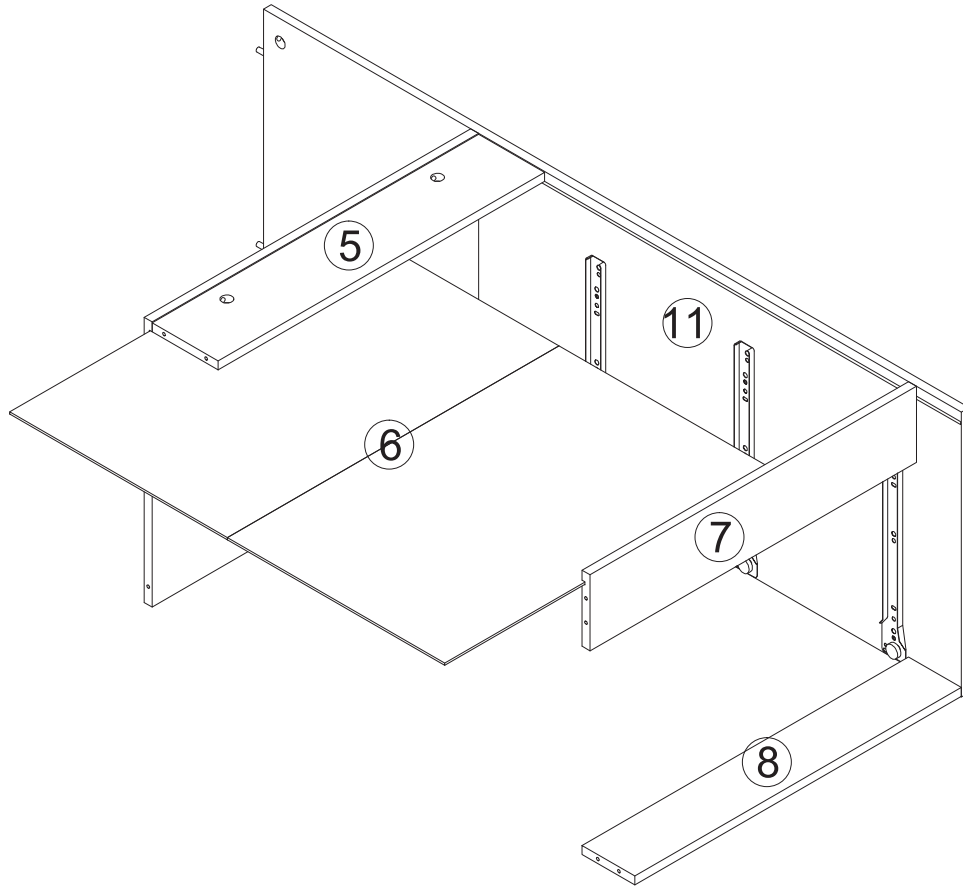
CR
3PCS

8

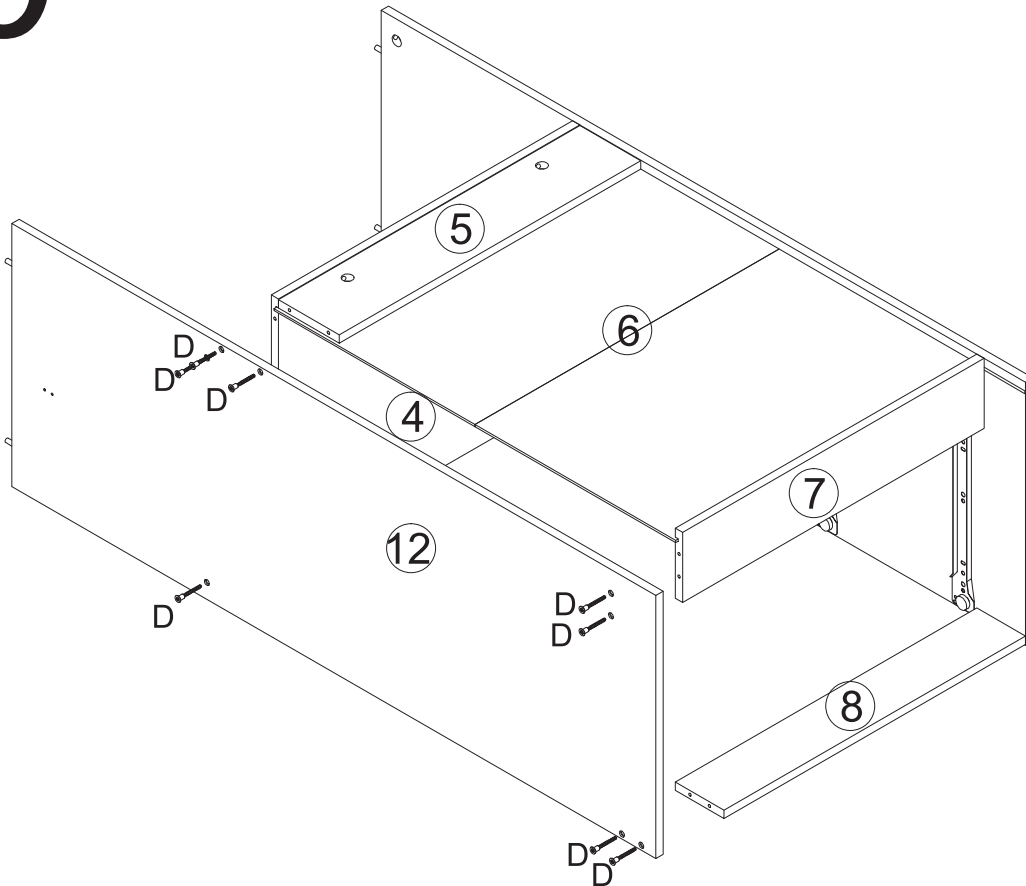


D M5*40
8PCS

9



10



D

M5*40



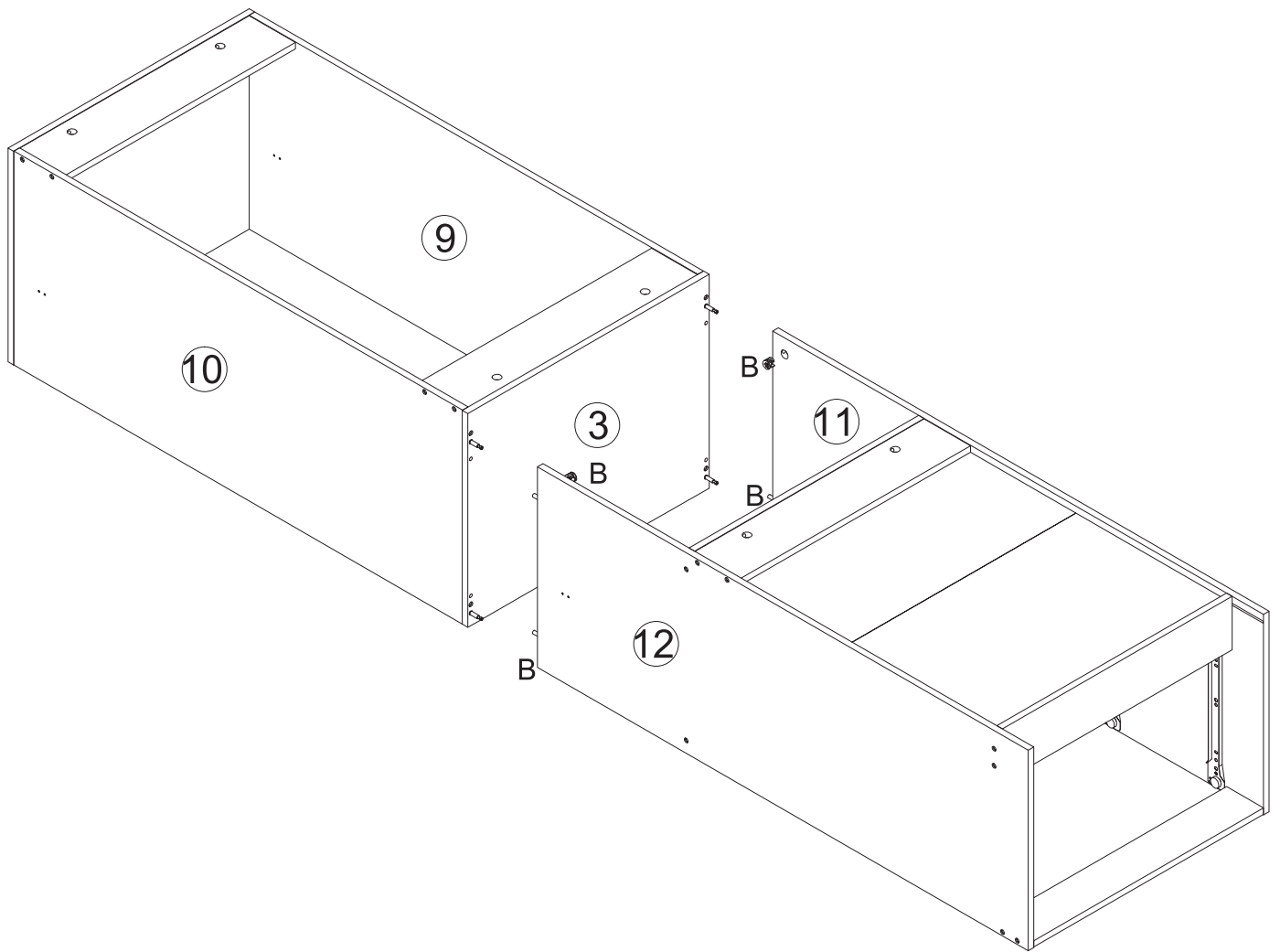
8PCS

11

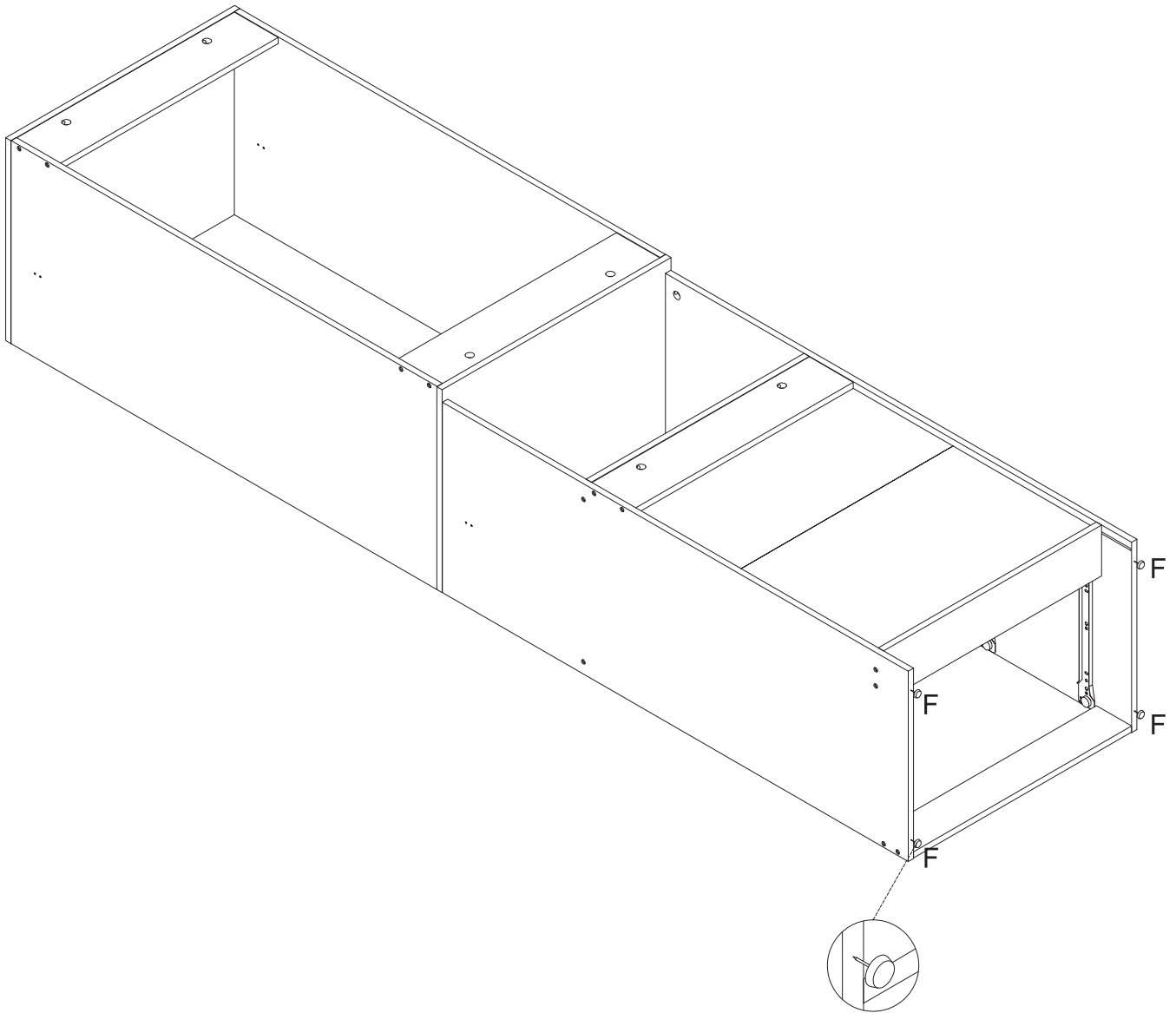
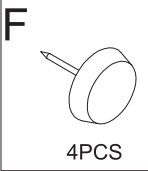
B



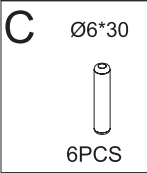
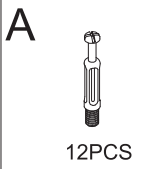
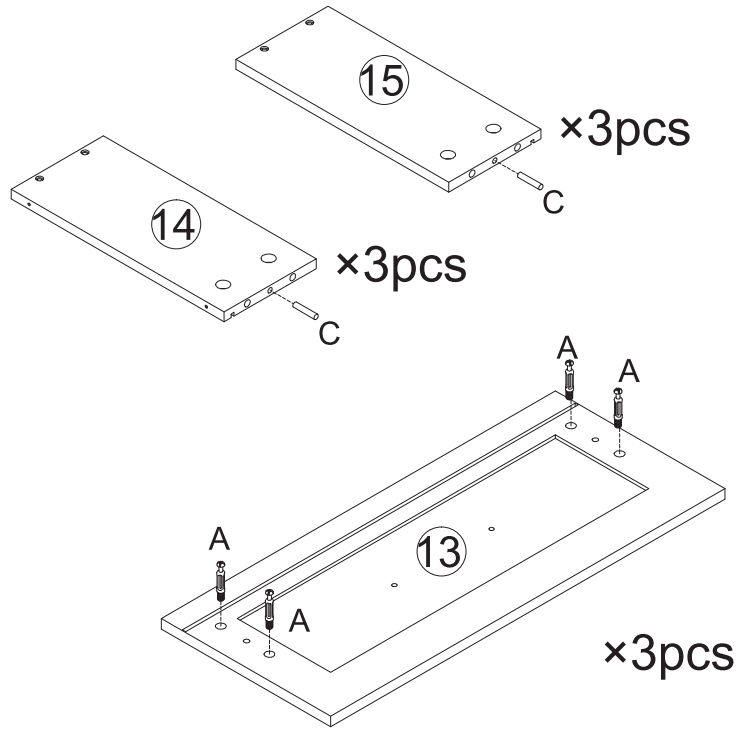
4PCS



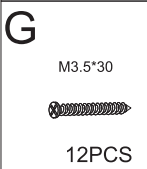
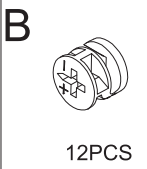
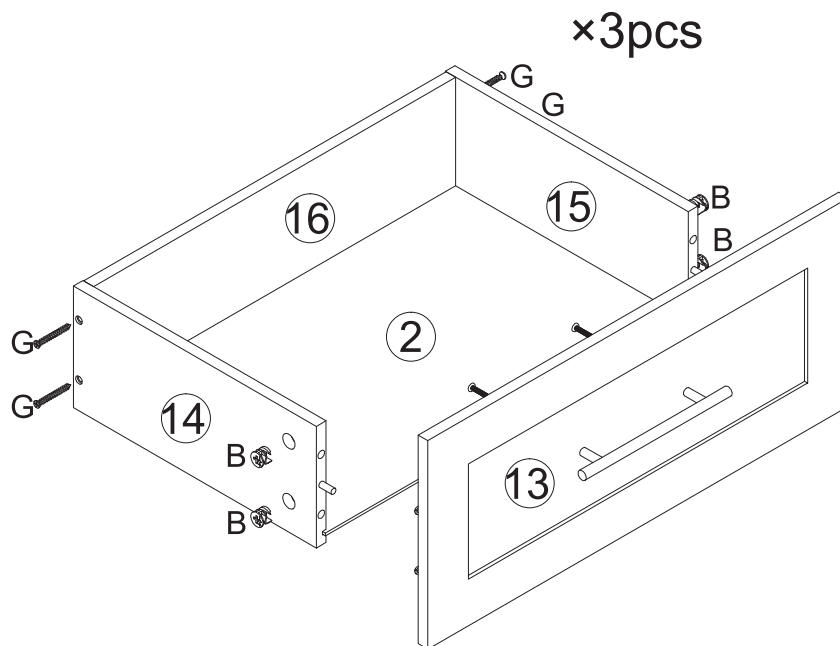
12



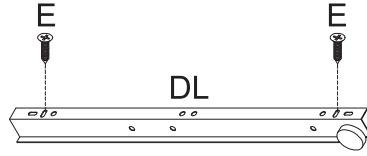
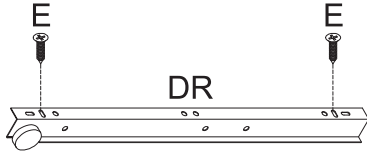
14



15



16

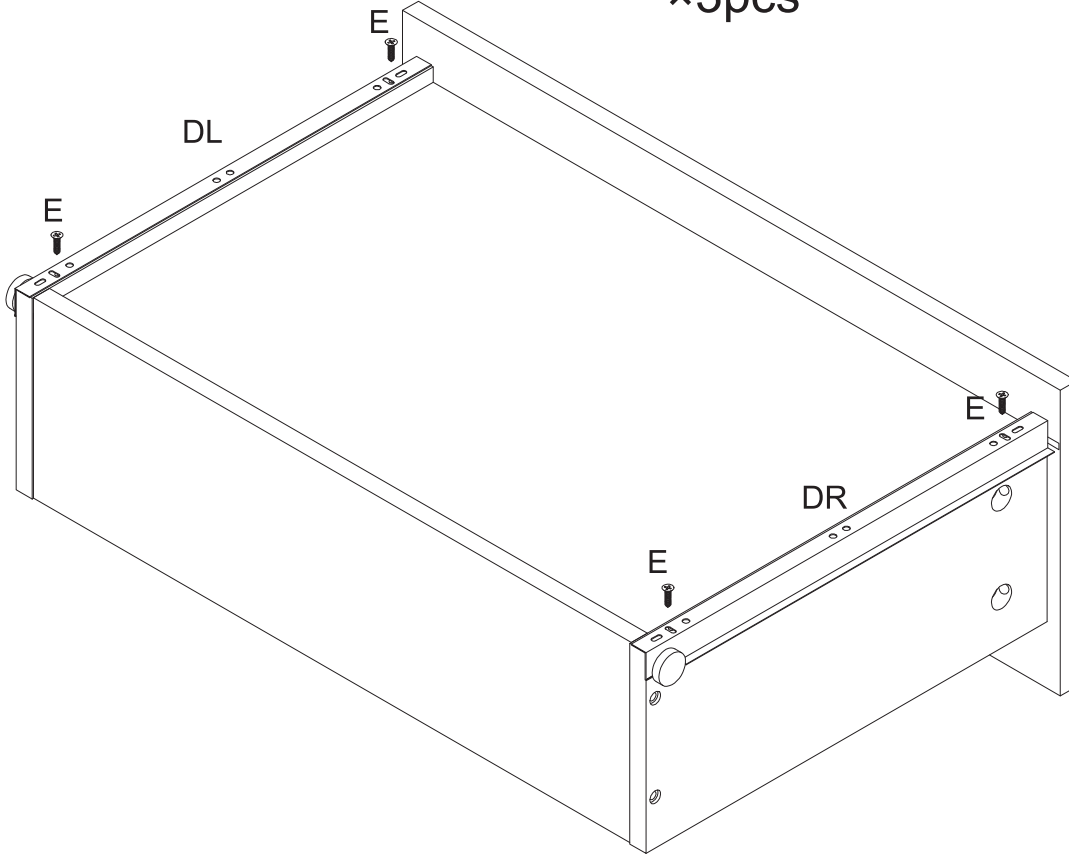


E
M3*12
12PCS

DL
3PCS

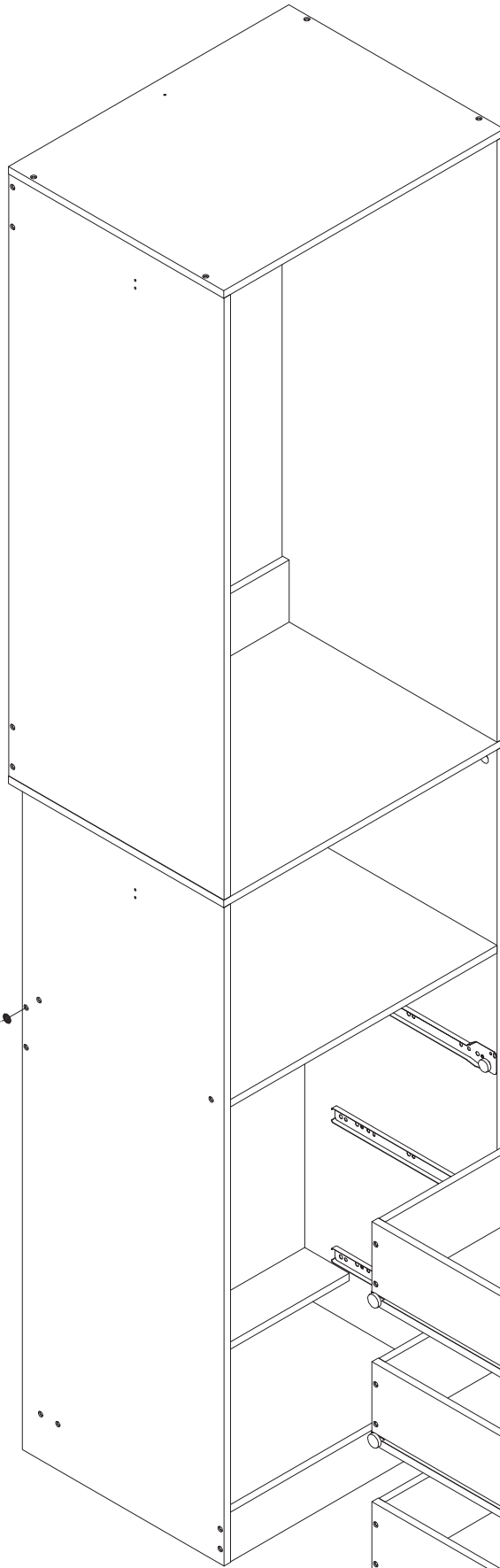
DR
3PCS

×3pcs

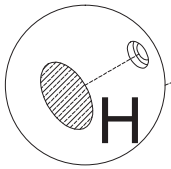
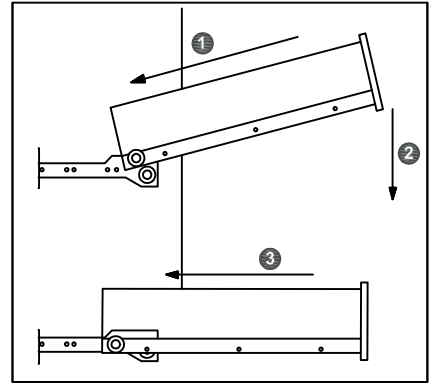


17

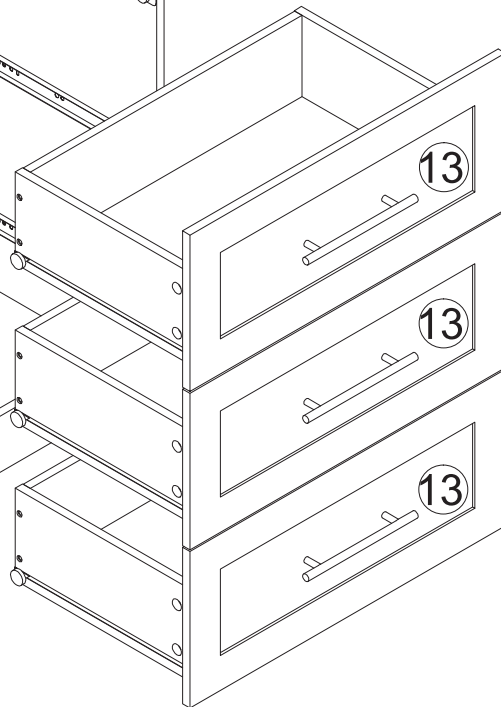
H
Ø20
54PCS



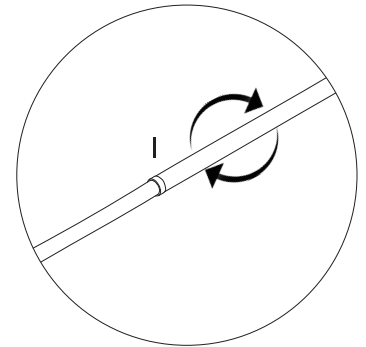
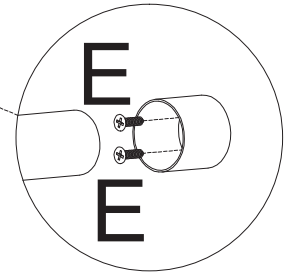
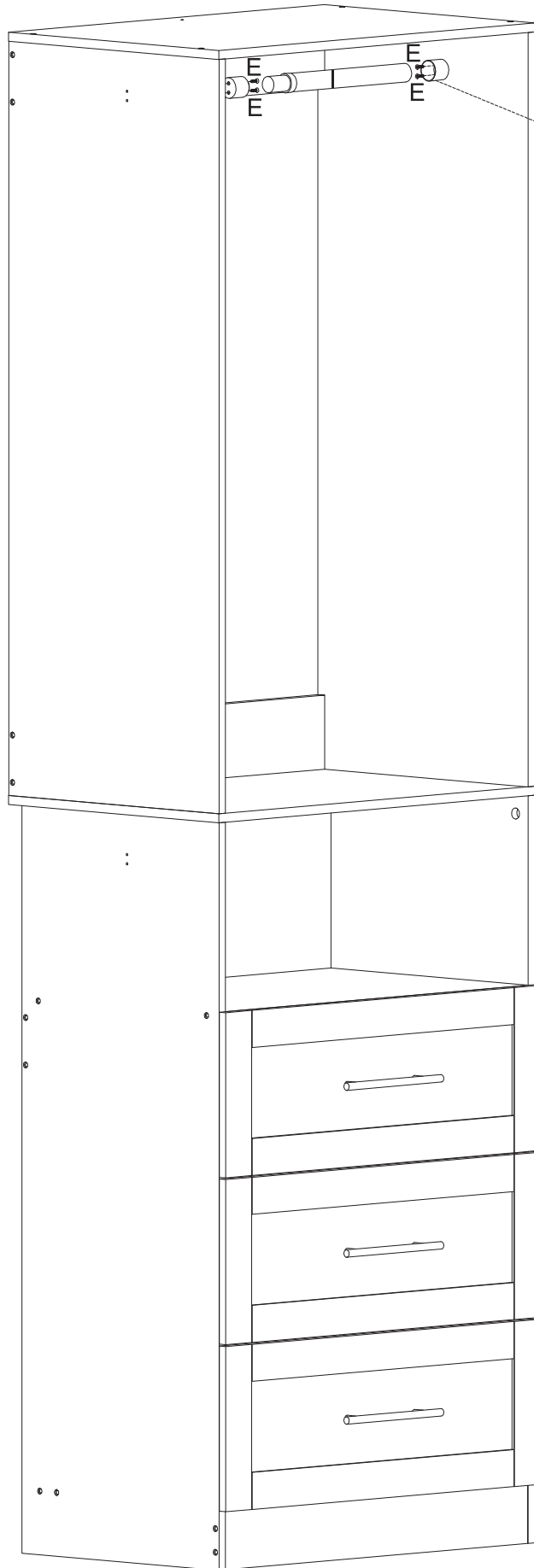
Insert the drawers obliquely





Adding O stickers to all the cam bolts makes it look perfect.



18

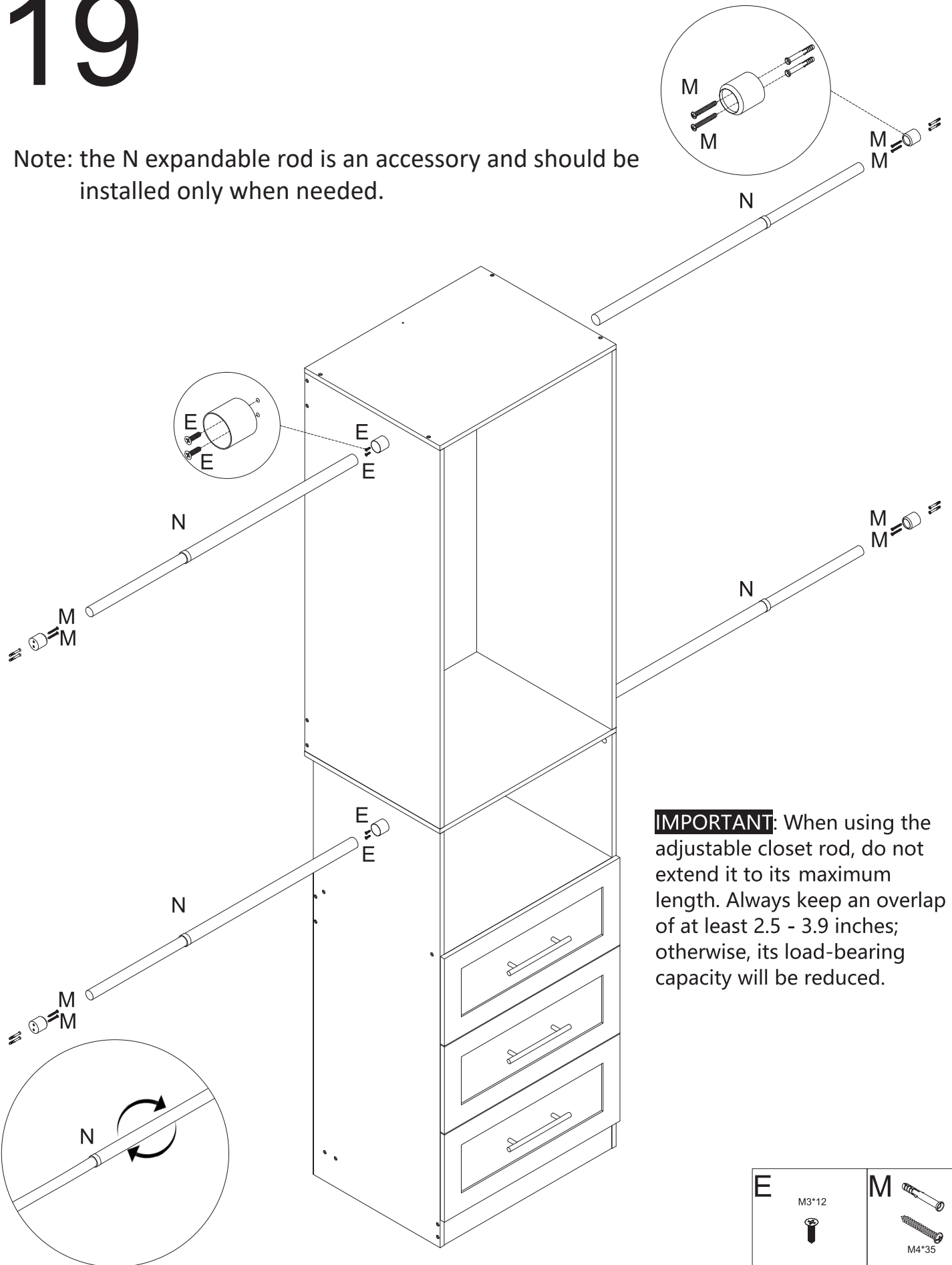


Rotate the rod clockwise to secure it, and rotate it counterclockwise to loosen it.

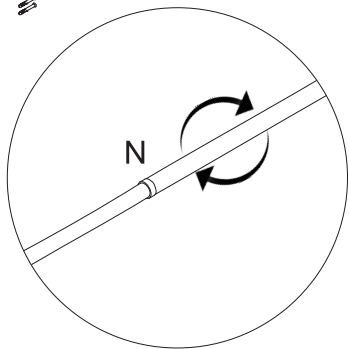
E M3*12  4PCS	I  1PC
--	--

19




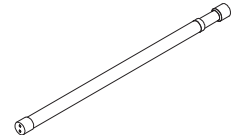
Note: the N expandable rod is an accessory and should be installed only when needed.



IMPORTANT: When using the adjustable closet rod, do not extend it to its maximum length. Always keep an overlap of at least 2.5 - 3.9 inches; otherwise, its load-bearing capacity will be reduced.



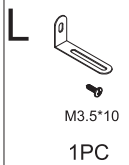
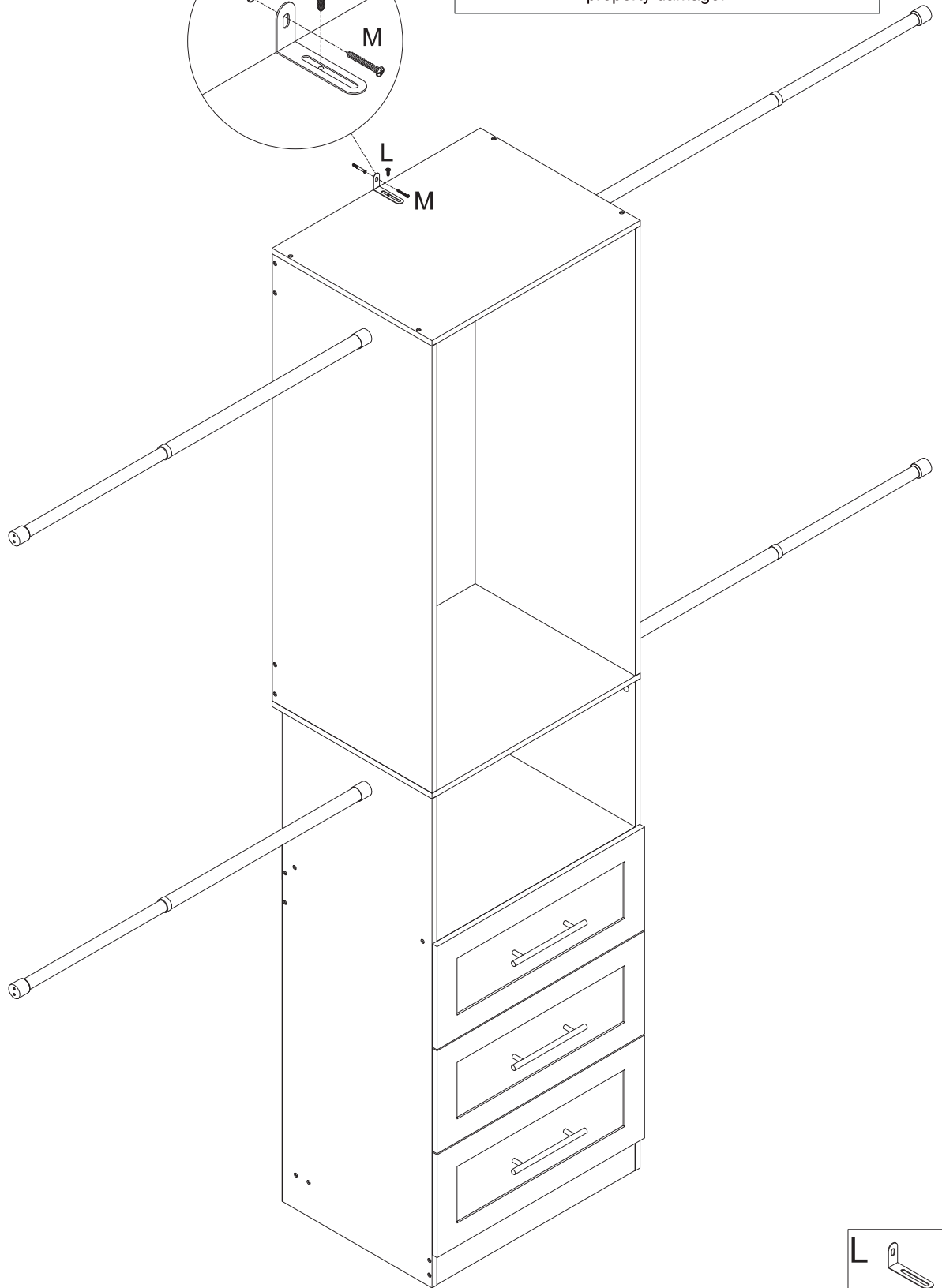
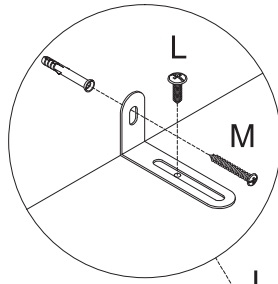
Rotate the rod clockwise to secure it, and rotate it counterclockwise to loosen it.

E M3*12  8PCS	M  M4*35  8PCS
N  4PCS	

20



Attention: For safety and stability, we suggest you have to secure the anti-tip accessories to the wall to prevent tipping, injury, and property damage.



Dear Customers,

**Congratulations on your completion of a great assembly!
Believe it will bring you a better life experience. We will
be appreciated if you give any suggestions for continuous
improvement.**

**If there is anything we can do for you, please feel free to
contact us via customer service email :**

Servicehomelovers@hotmail.com

We will always stand behind for our products.

Best Regards.