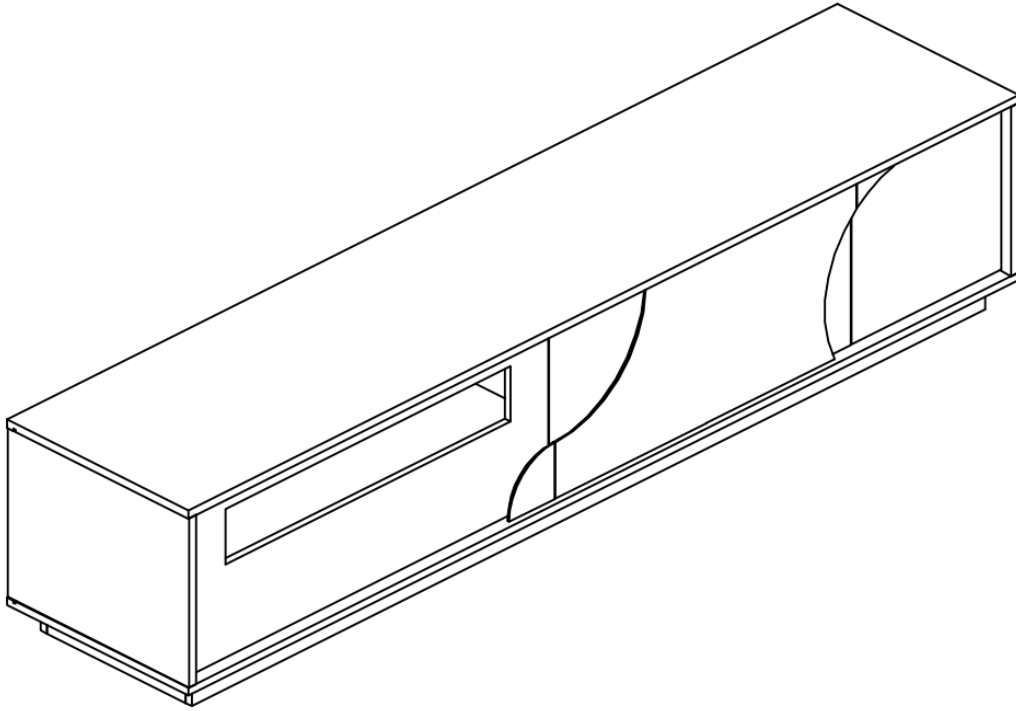
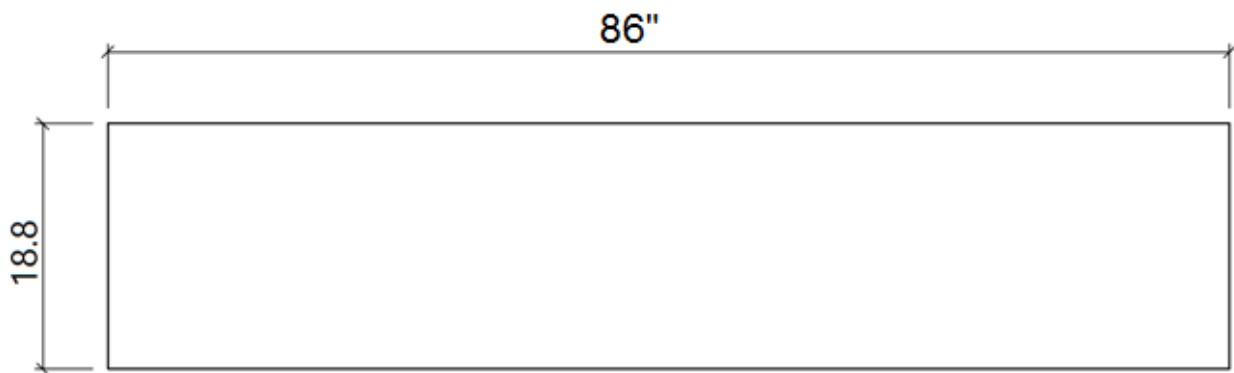




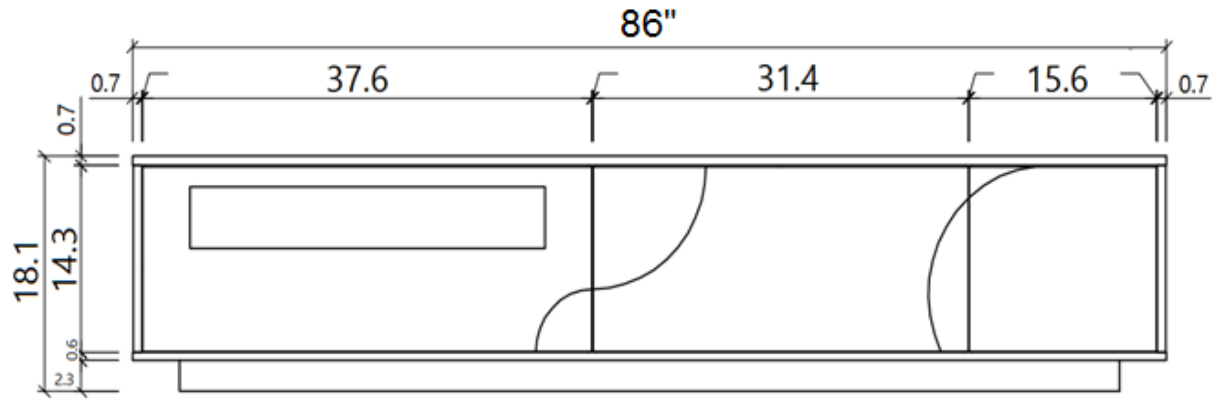
Detailed Dimensions



Top View



Front View



Side View

