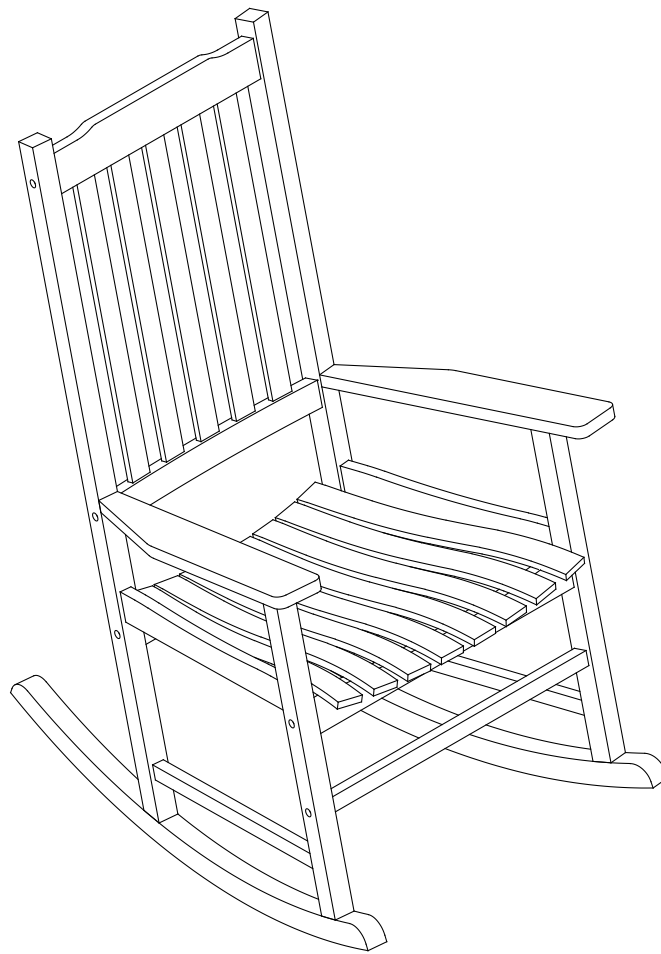


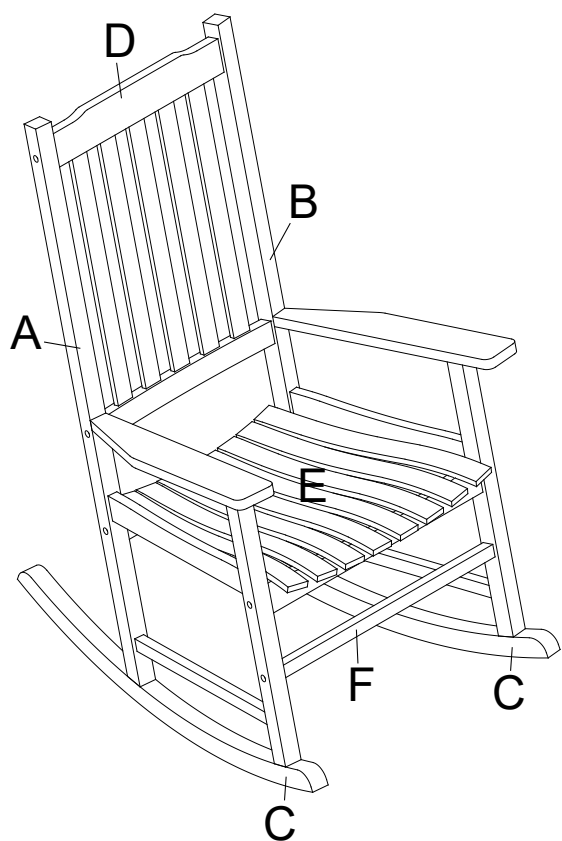
ASSEMBLY INSTRUCTIONS

- Rocking Chair



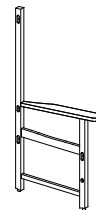
Parts

Check and make sure you get the components on the list, contact us for any missing



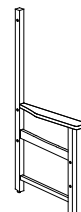
• Rocking Chair

A : Right Armrest



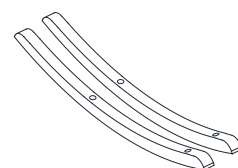
1 Pc

B : Left Armrest



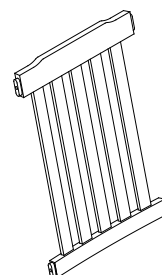
1 Pc

C : Rockers



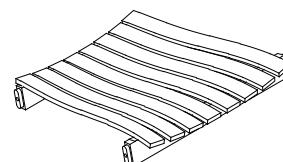
2 Pcs

D : Backrest



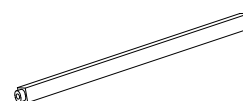
1 Pc

E : Seat



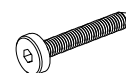
1 Pc

F : Front Support



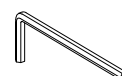
1 Pc

1 : Screw M6 x 60mm



14 Pcs

2 : Allen key



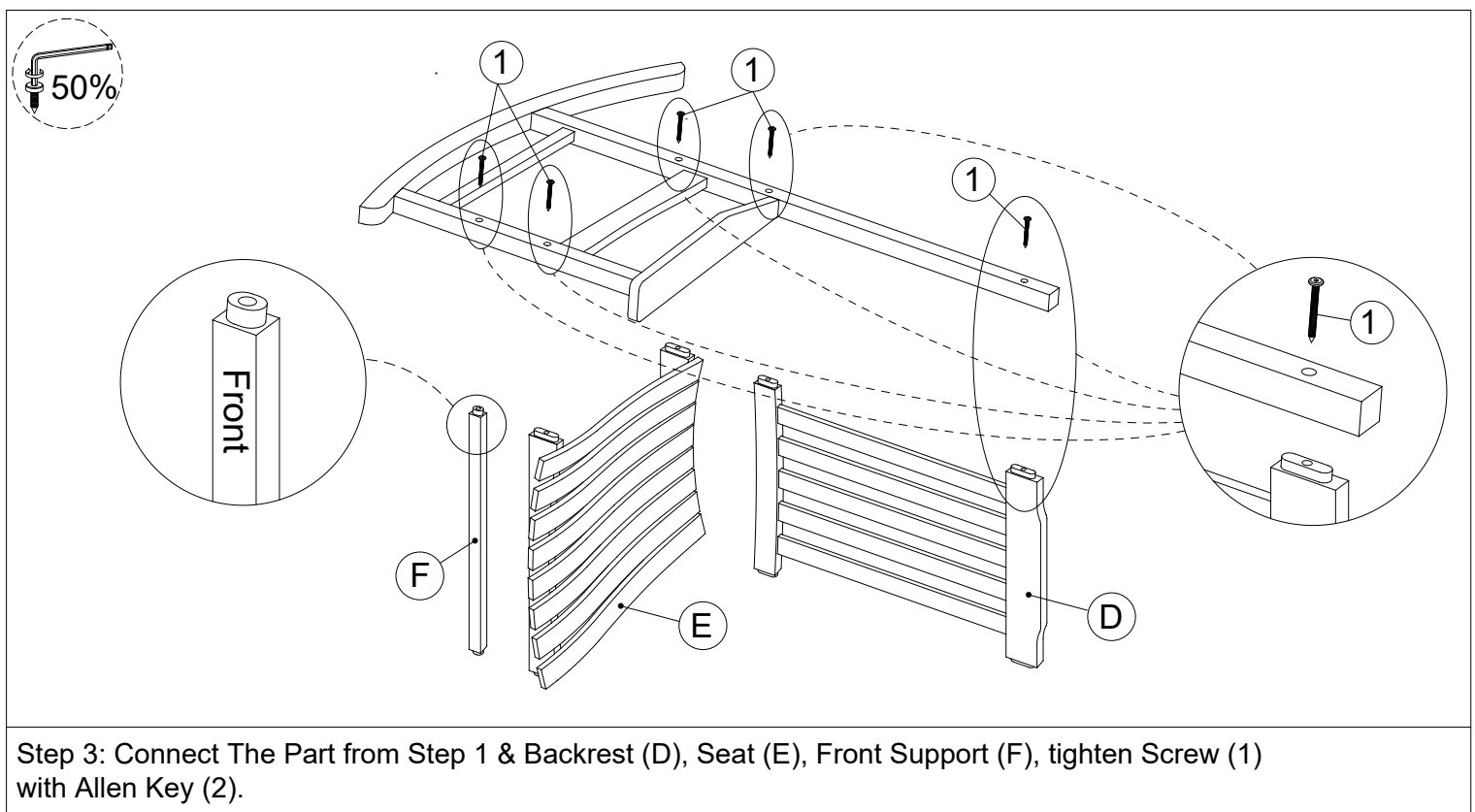
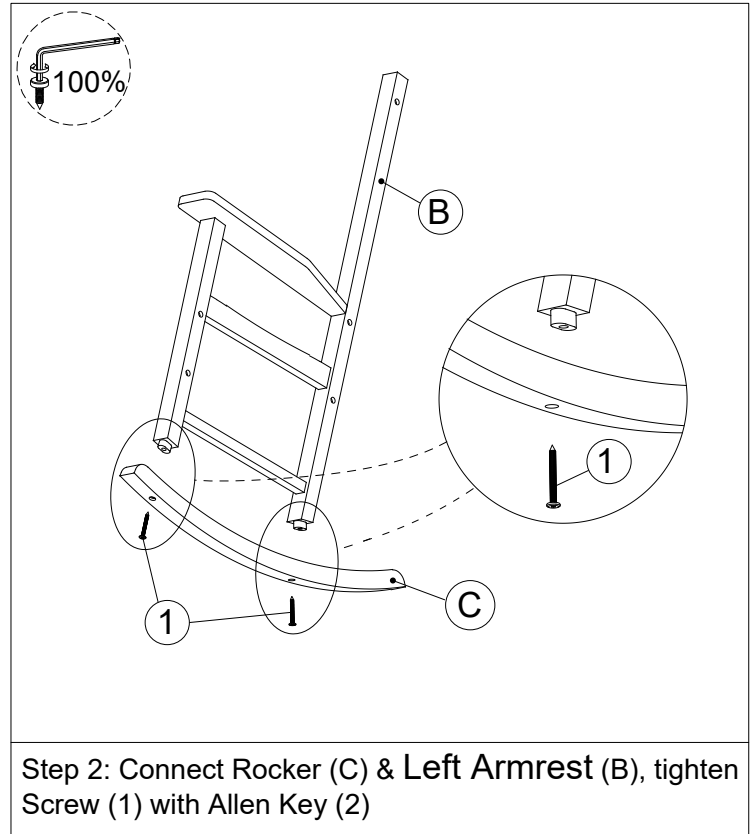
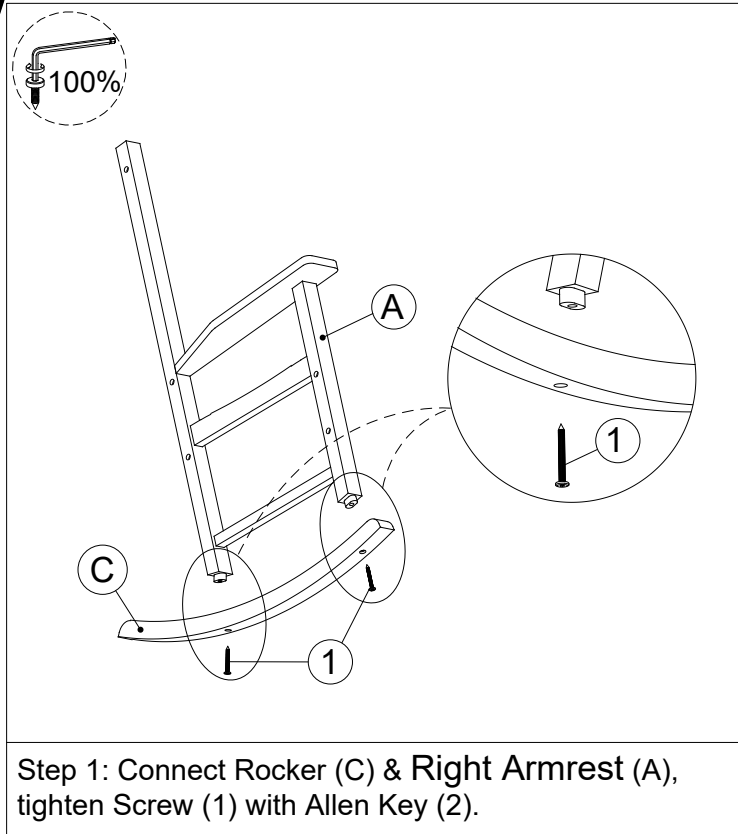
2 Pcs



For successful installation, When installing, please do not tighten the screws once, when the screws are all installed, a unified tightten all the screws

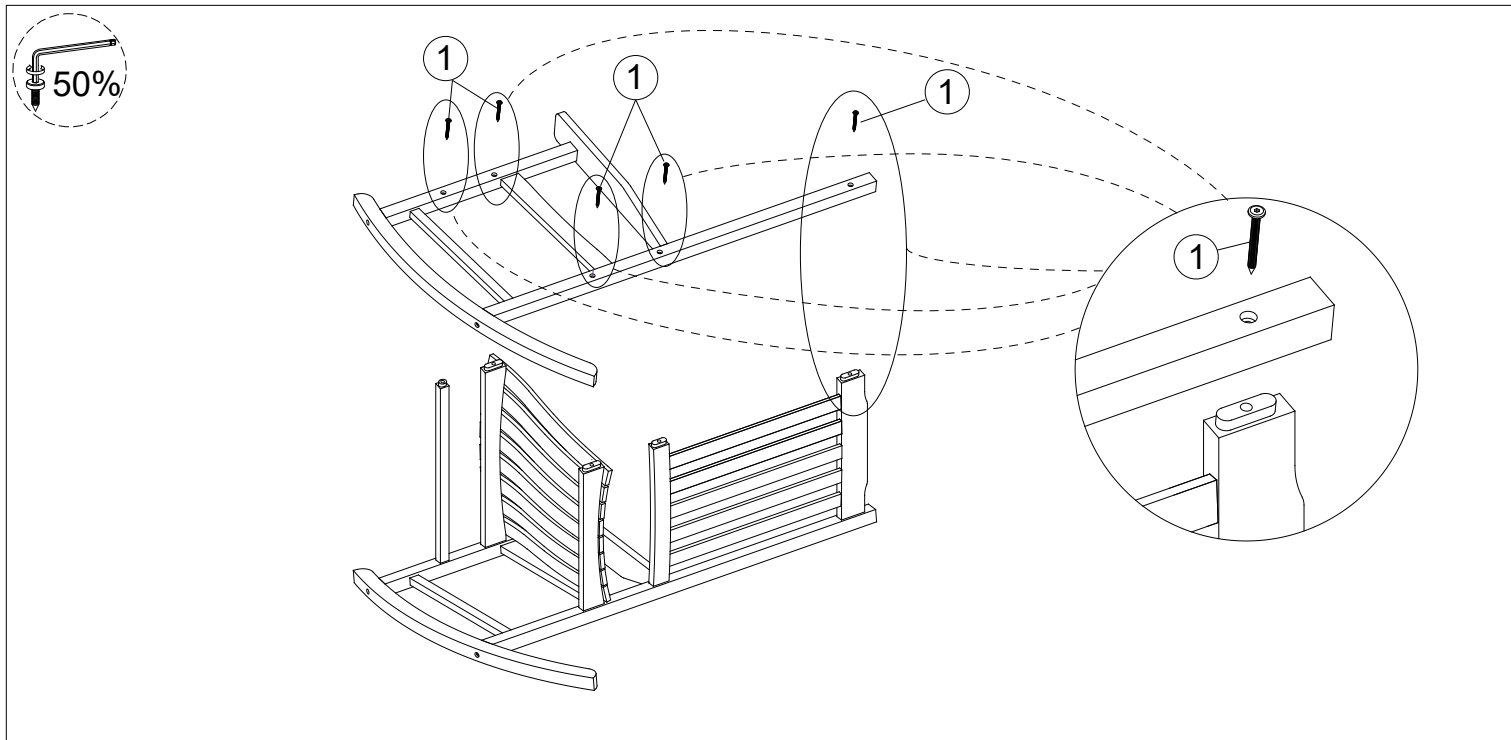
Installation step

For successful installation, When installing, please do not tighten the screws once, when the screws are all installed, a unified tighten all the screws



Assembly steps

Tips : DO NOT tighten any screws until all the parts are put together.



Step 4: Connect The Part from Step 2 & The Part from Step 3, tighten Screw (1) with Allen Key (2).

