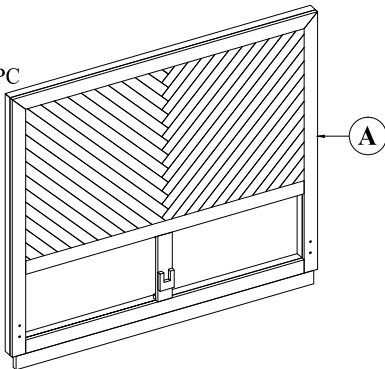


FULL/QUEEN STORAGE BED ASSEMBLY INSTRUCTIONS

BOX #1

A. HEADBOARD : 1 PC

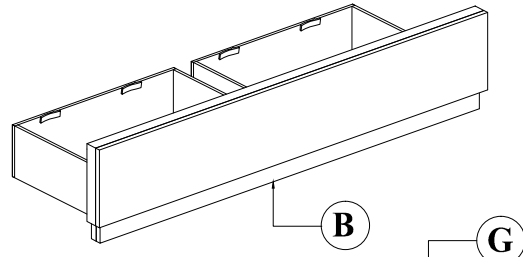


BOX #2

B. STORAGE FOOTBOARD : 1 PC

G. SLAT ROLL : 1 SET

H. METAL STRETCHER : 1 PC



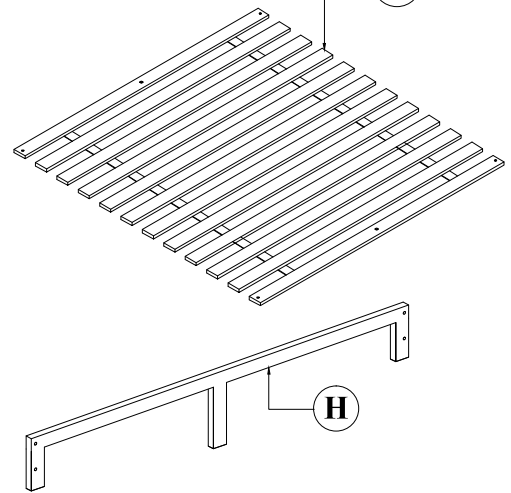
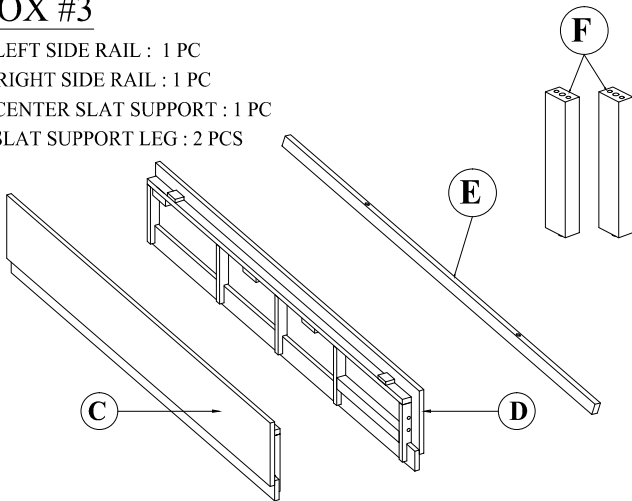
BOX #3

C. LEFT SIDE RAIL : 1 PC

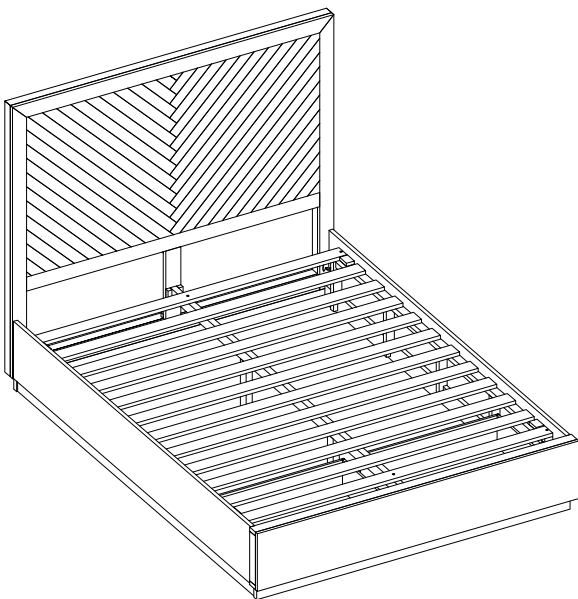
D. RIGHT SIDE RAIL : 1 PC

E. CENTER SLAT SUPPORT : 1 PC

F. SLAT SUPPORT LEG : 2 PCS



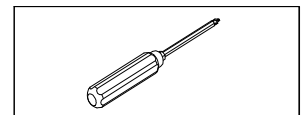
FULLY ASSEMBLED



HARDWARE PACKED IN BOX #2

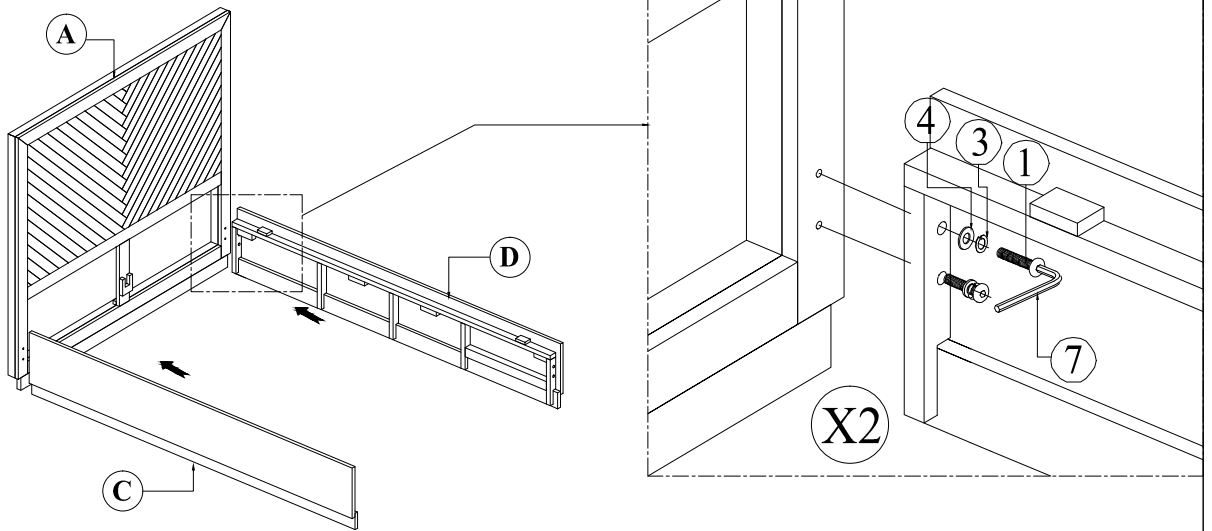
1	ALLEN BOLT (M8X50)		8 PCS
2	ALLEN BOLT (M6X60)		2 PCS
3	SPRING WASHER (M8)		8 PCS
4	FLAT WASHER (M8)		8 PCS
5	WOOD DOWEL (M8X30)		4 PCS
6	WOOD SCREW (M4X30)		6 PCS
7	ALLEN KEY		1 PC

TOOL REQUIRED PHILLIPS HEAD SCREW DRIVER
(NOT PROVIDED)

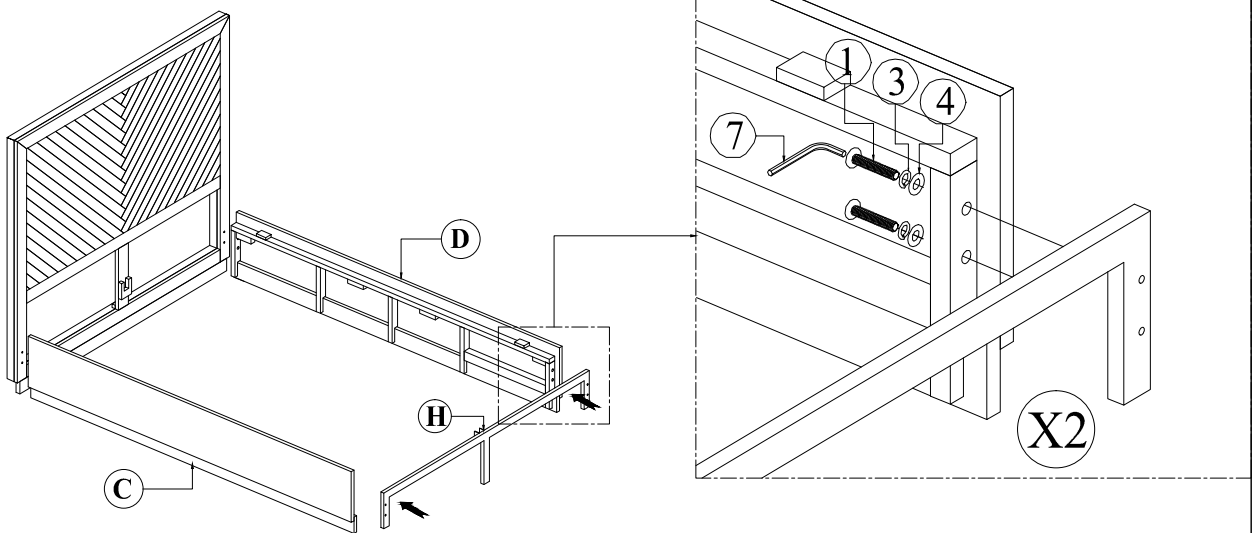


FULL/QUEEN STORAGE BED ASSEMBLY INSTRUCTIONS

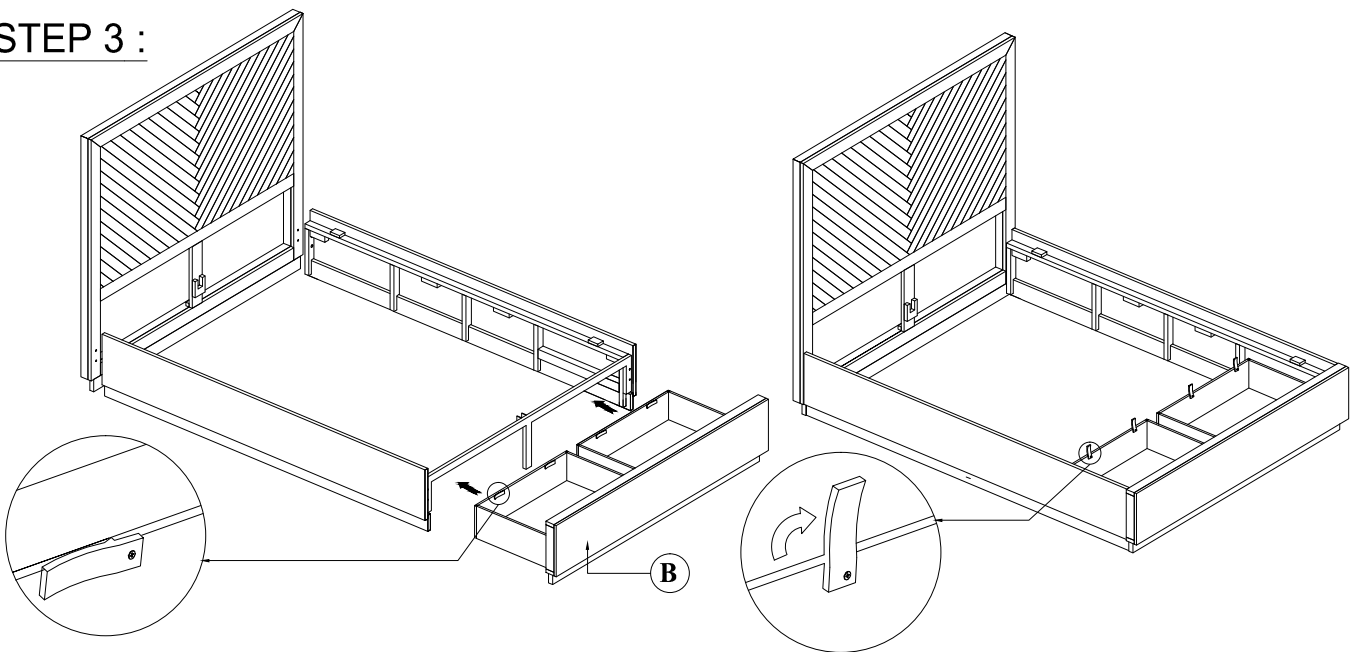
STEP 1 :



STEP 2 :

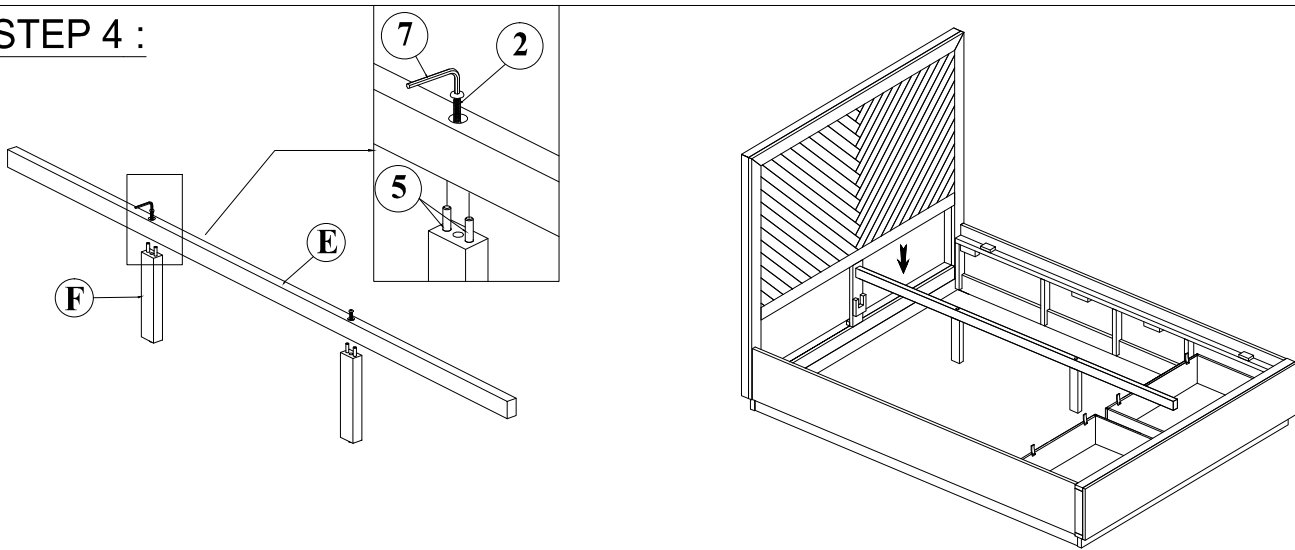


STEP 3 :

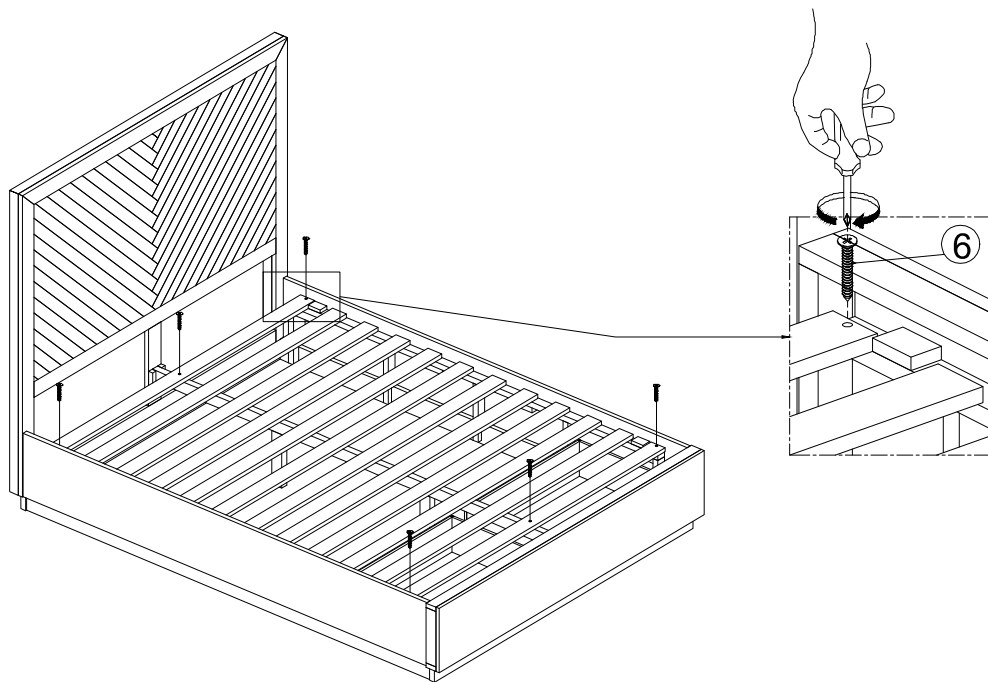


FULL/QUEEN STORAGE BED ASSEMBLY INSTRUCTIONS

STEP 4 :



STEP 5 :

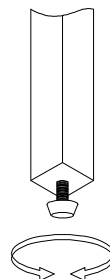


INSTRUCTIONS FOR ADJUSTING LEVELER:

Position the bed in your space and locate the leveler under each support leg.

Turn the leveler counter-clockwise to extend the leveler and clockwise to retract it.

Adjust each leveler until each support leg is applying equal, upward pressure on the bed support slat.



MAINTENANCE INSTRUCTION:

- Remove box spring and mattress before moving your bed.
- Lift your bed when moving it. Dragging can damage the leg support.
- Readjust levelers after moving your bed.